



US00D347901S

United States Patent [19]

Yamamoto

[11] Patent Number: **Des. 347,901**

[45] Date of Patent: **** Jun. 14, 1994**

- [54] LAMP
- [75] Inventor: Teruaki Yamamoto, Tokyo, Japan
- [73] Assignee: PIAA Corporation, Tokyo, Japan
- [**] Term: 14 Years
- [21] Appl. No.: 7,688
- [22] Filed: Apr. 28, 1993
- [52] U.S. Cl. D26/2
- [58] Field of Search 313/315, 318, 25; D26/1, 2, 3

4,879,491 11/1989 Hirozumi 313/318

*Primary Examiner—Susan J. Lucas
Attorney, Agent, or Firm—Lyon & Lyon*

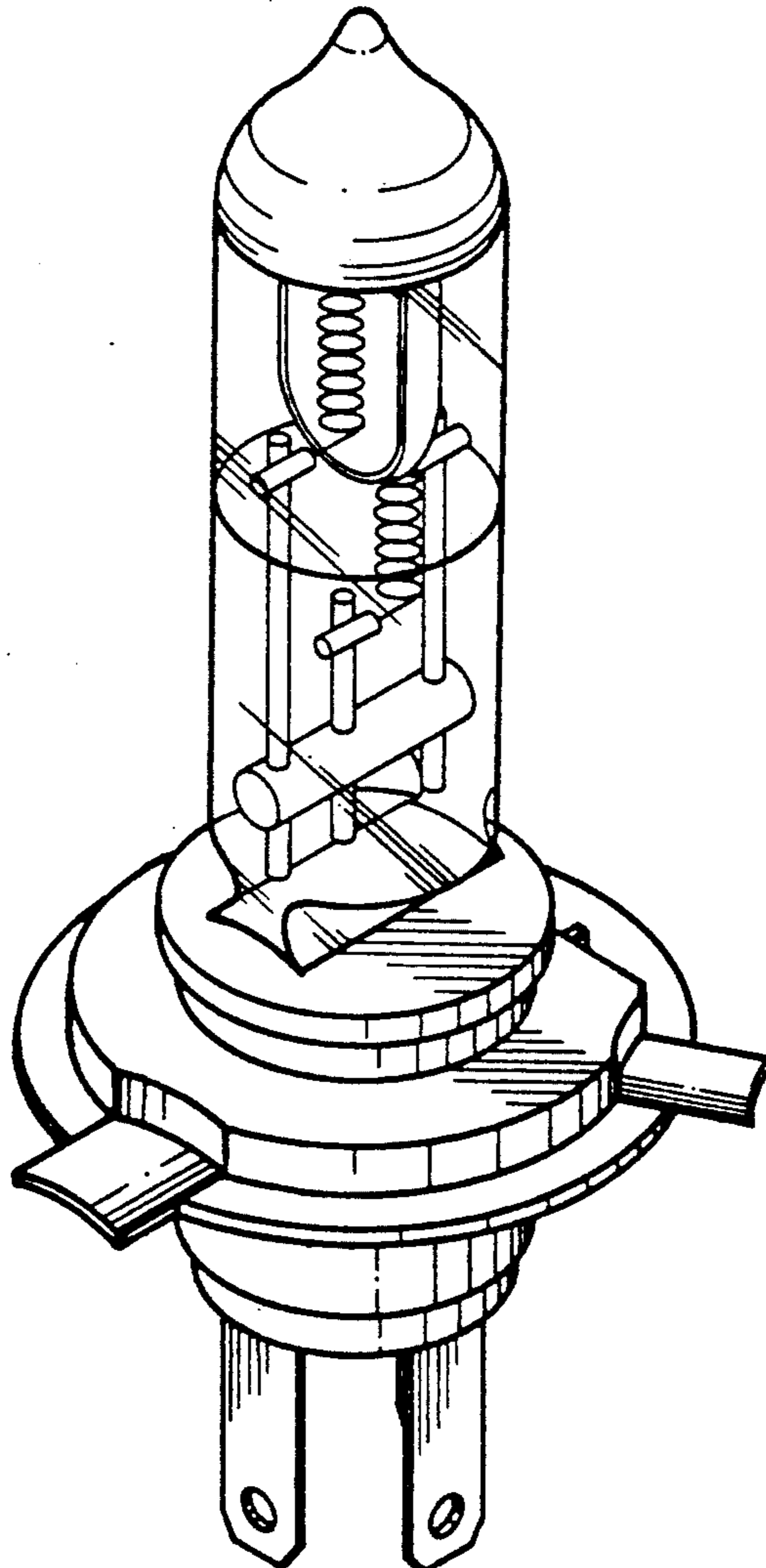
[57] **CLAIM**

The ornamental design for a lamp, as shown.

DESCRIPTION

FIG. 1 is a front view of the lamp showing my new design;
 FIG. 2 is a left side view of the lamp of FIG. 1;
 FIG. 3 is a plan view of the lamp of FIG. 1;
 FIG. 4 is a bottom view of the lamp of FIG. 1;
 FIG. 5 is a right side view of the lamp of FIG. 1;
 FIG. 6 is a back view of the lamp of FIG. 1; and,
 FIG. 7 is a perspective view of the lamp of FIG. 1.

- [56] **References Cited**
U.S. PATENT DOCUMENTS
 4,864,183 9/1989 Okano 313/318



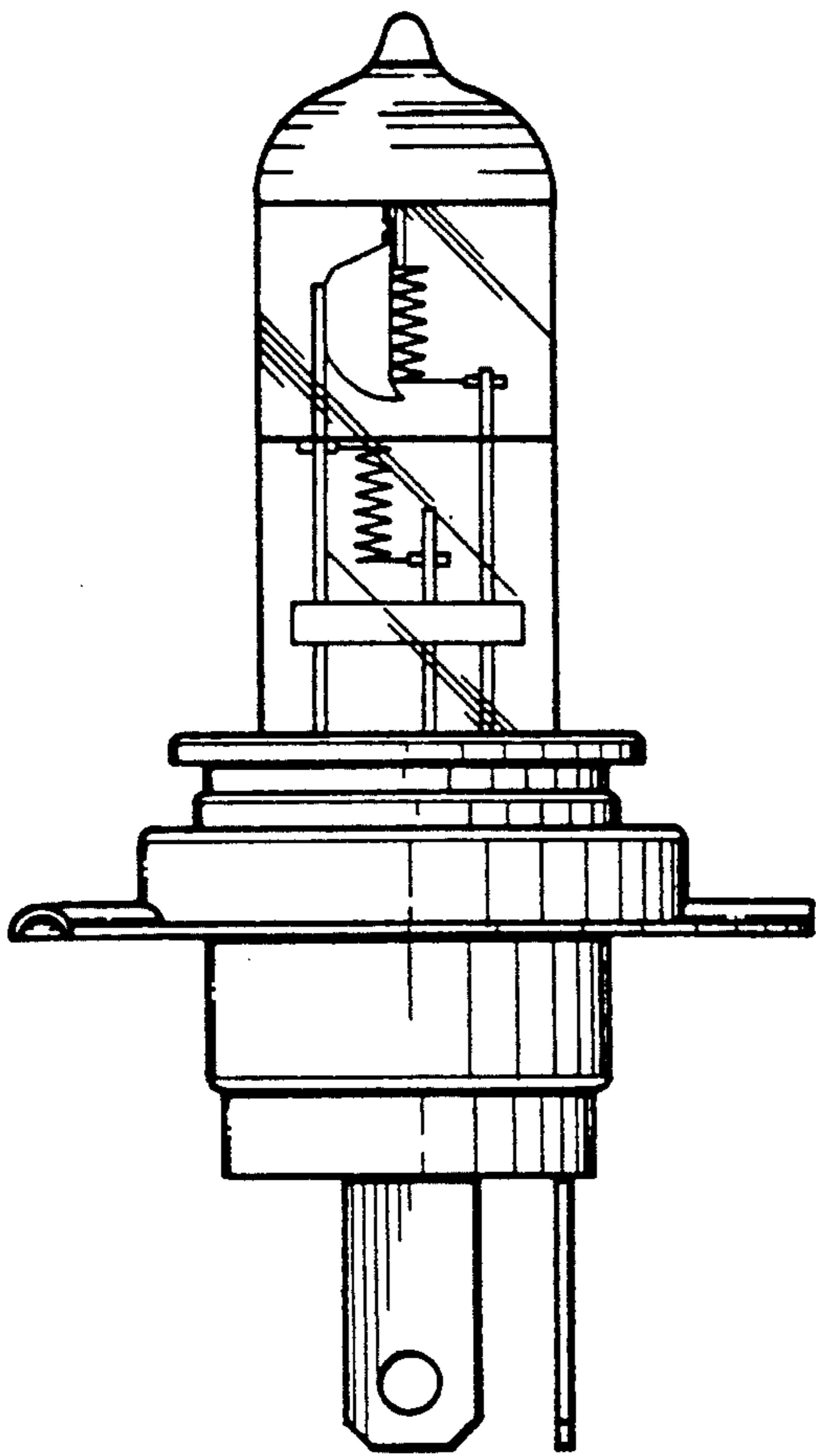


FIG. 2

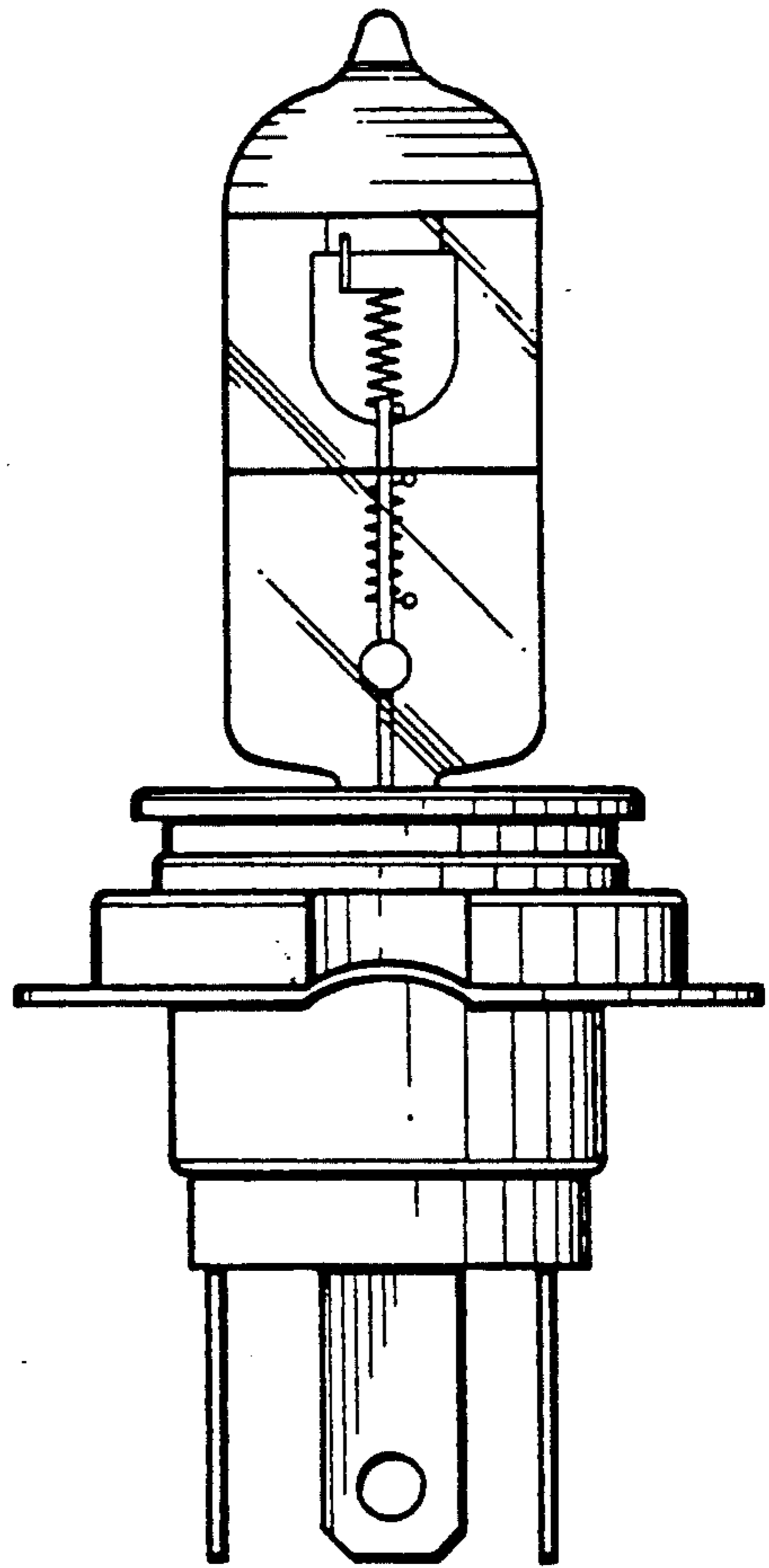


FIG. 1

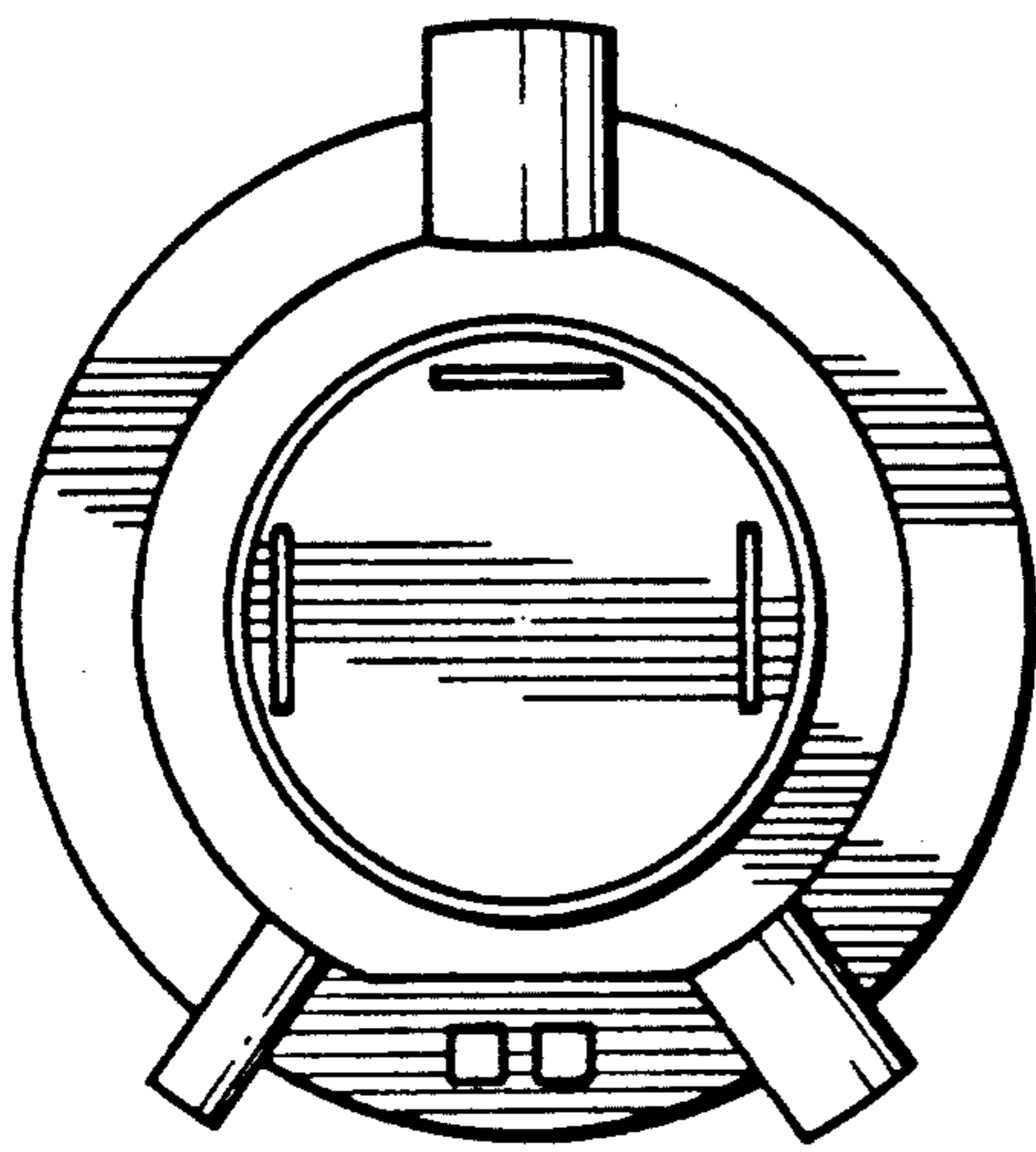


FIG. 4

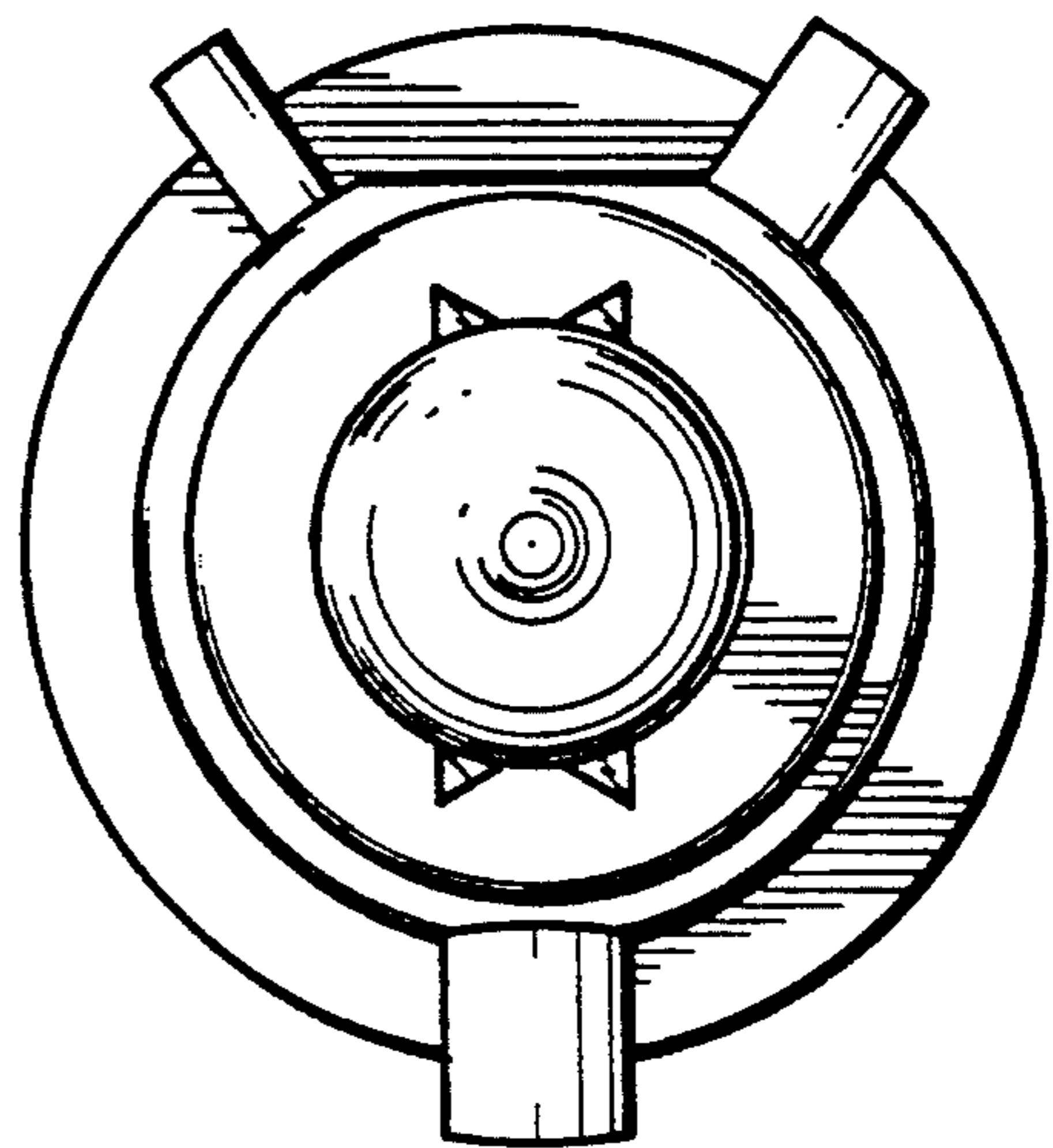


FIG. 3

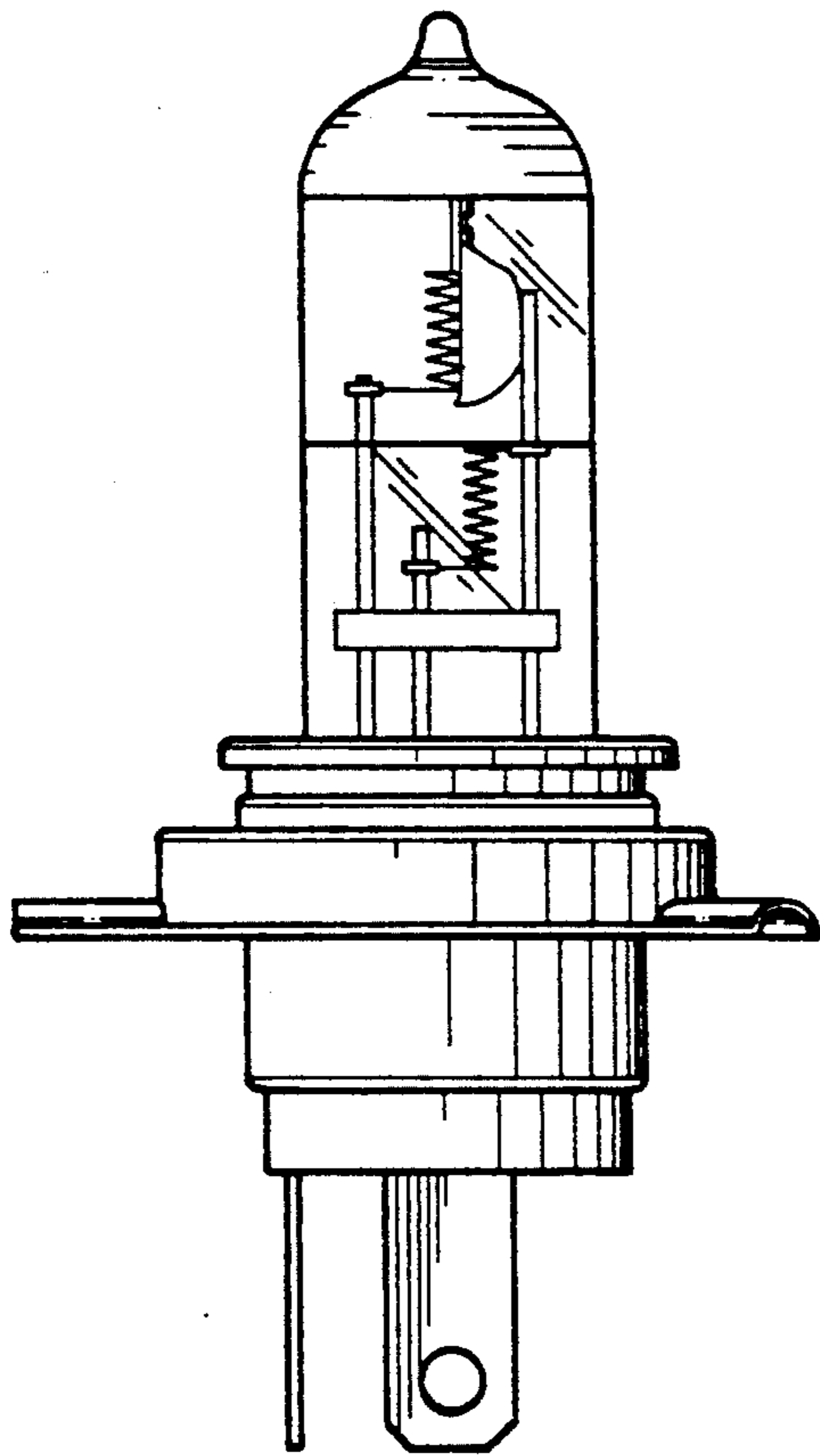


FIG. 5.

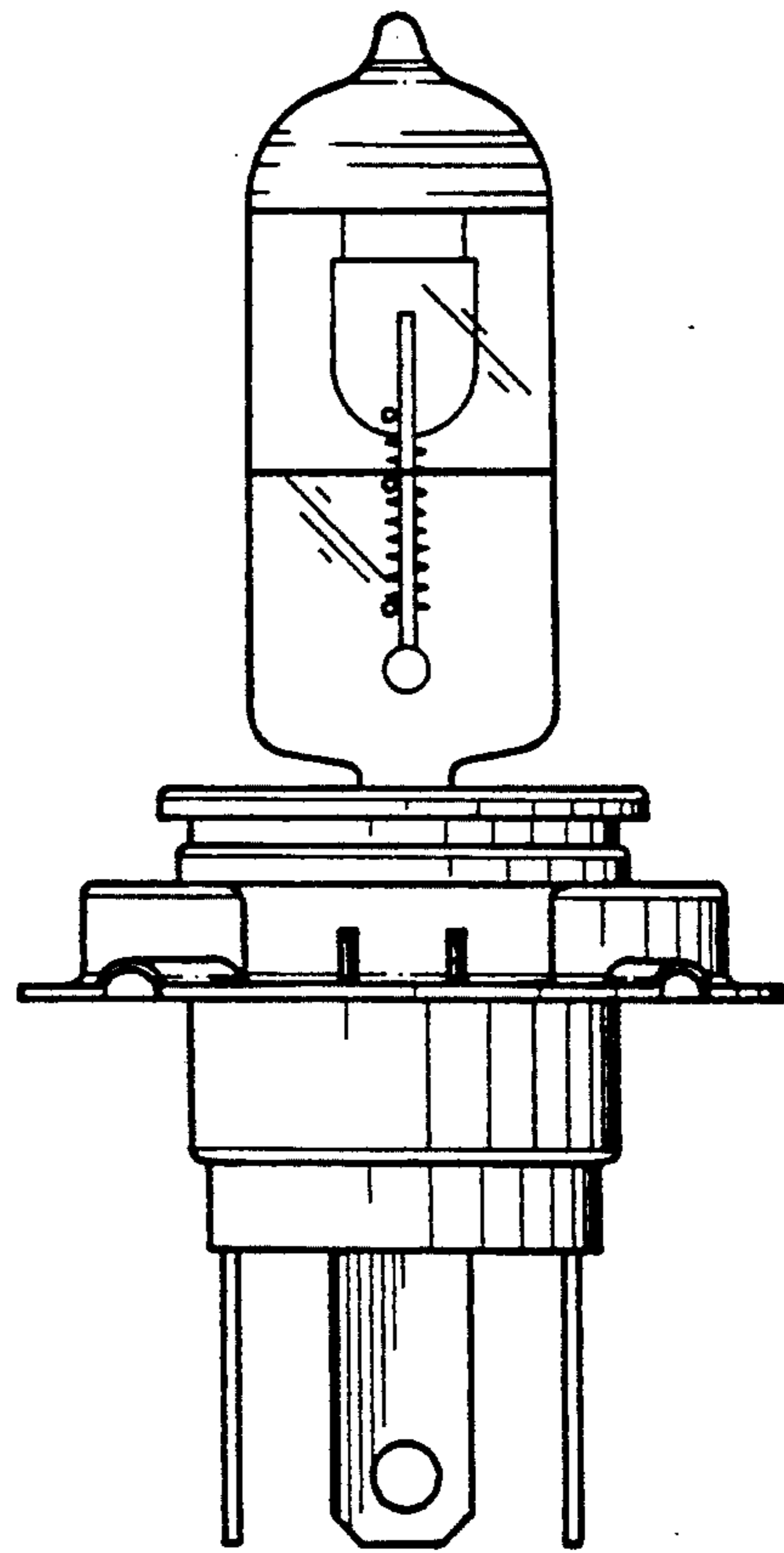


FIG. 6.

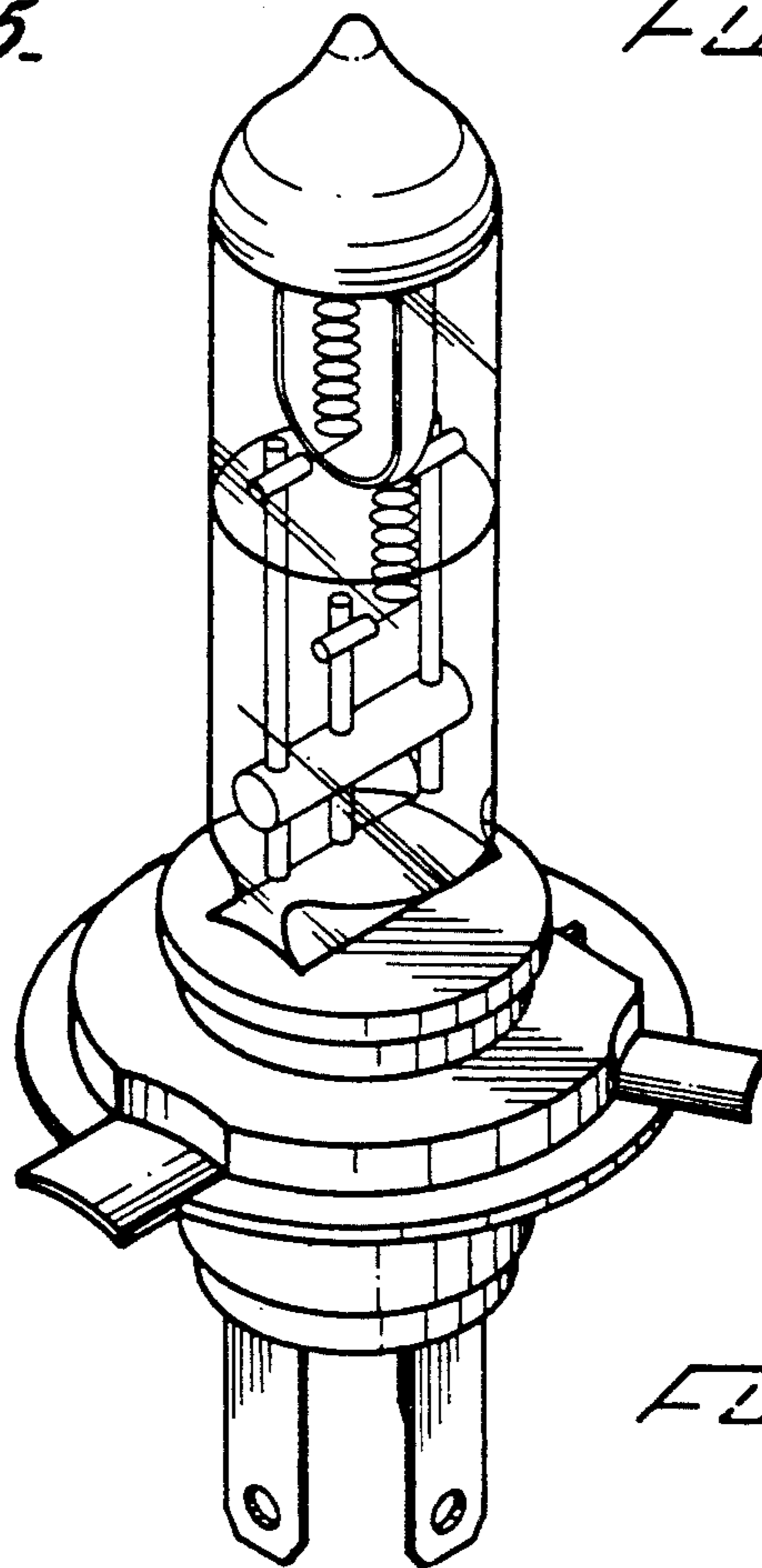


FIG. 7.