



US00D347895S

# United States Patent [19]

[11] Patent Number: **Des. 347,895**

**Mann**

[45] Date of Patent: **\*\* Jun. 14, 1994**

[54] **EAR PIERCING INSTRUMENT**

[75] Inventor: **Samuel J. Mann, Fair Lawn, N.J.**

[73] Assignee: **Inverness Corporation, Fair Lawn, N.J.**

[\*\*] Term: **14 Years**

[21] Appl. No.: **936,937**

[22] Filed: **Aug. 28, 1992**

[52] U.S. Cl. .... **D24/146**

[58] Field of Search ..... **606/188, 185; D24/146, D24/145, 147**

D. 282,779 2/1986 Reil ..... D24/146  
5,211,653 5/1993 Nakajima ..... 606/188

*Primary Examiner*—A. Hugo Word

*Assistant Examiner*—I. Simmons

*Attorney, Agent, or Firm*—Stroock & Stroock & Lavan

[57] **CLAIM**

The ornamental design for an ear piercing instrument, as shown.

**DESCRIPTION**

FIG. 1 is a perspective view of an ear piercing instrument showing my new design; FIG. 2 is a top plan view thereof; FIG. 3 is a front elevational view thereof; FIG. 4 is a side elevational view thereof; FIG. 5 is a rear elevational view thereof; and, FIG. 6 is a bottom plan view thereof.

[56] **References Cited**

**U.S. PATENT DOCUMENTS**

D. 241,175 8/1976 Mann ..... D24/146  
D. 242,392 11/1976 Moore et al. .... D24/146

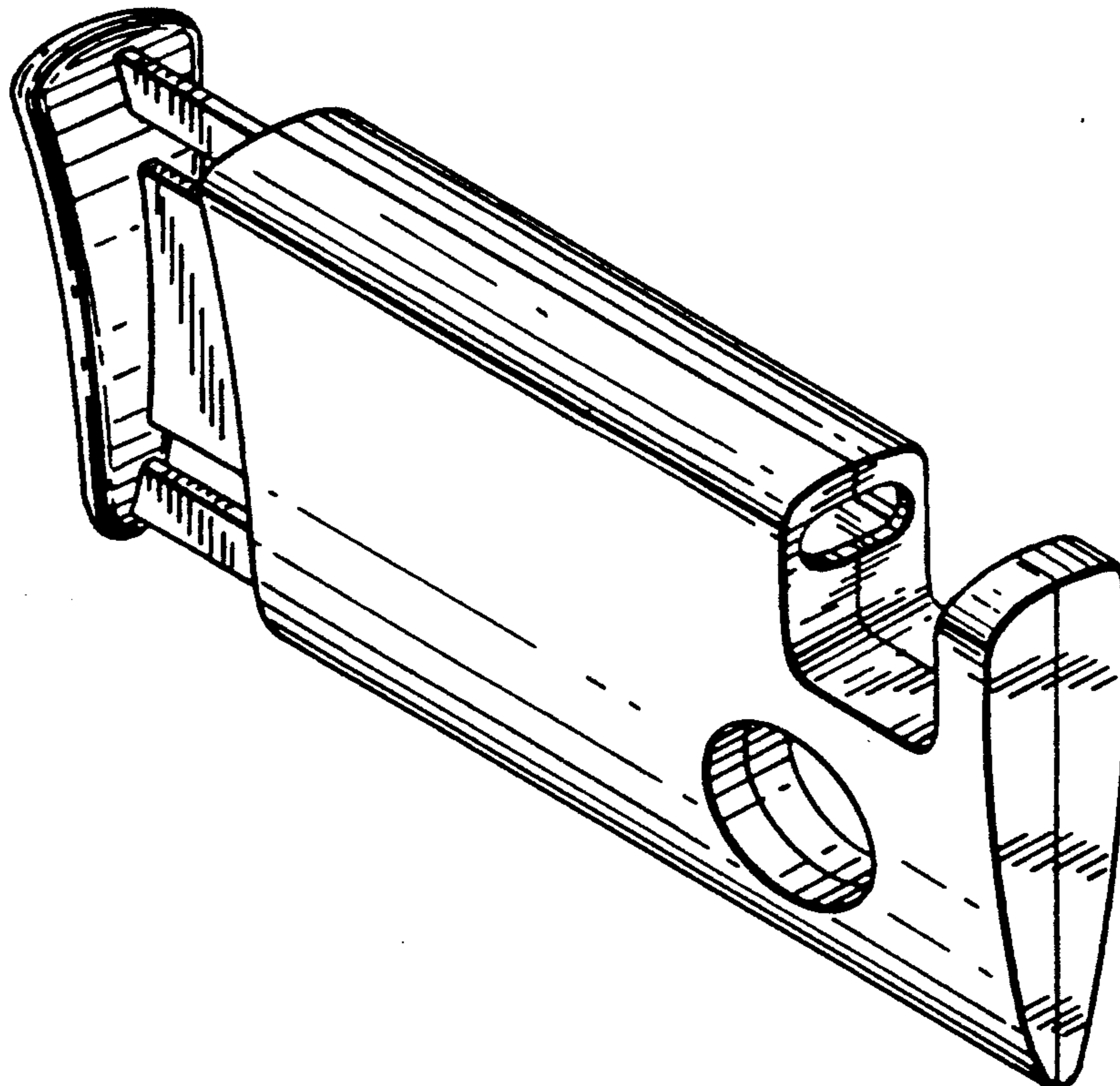


FIG. 1

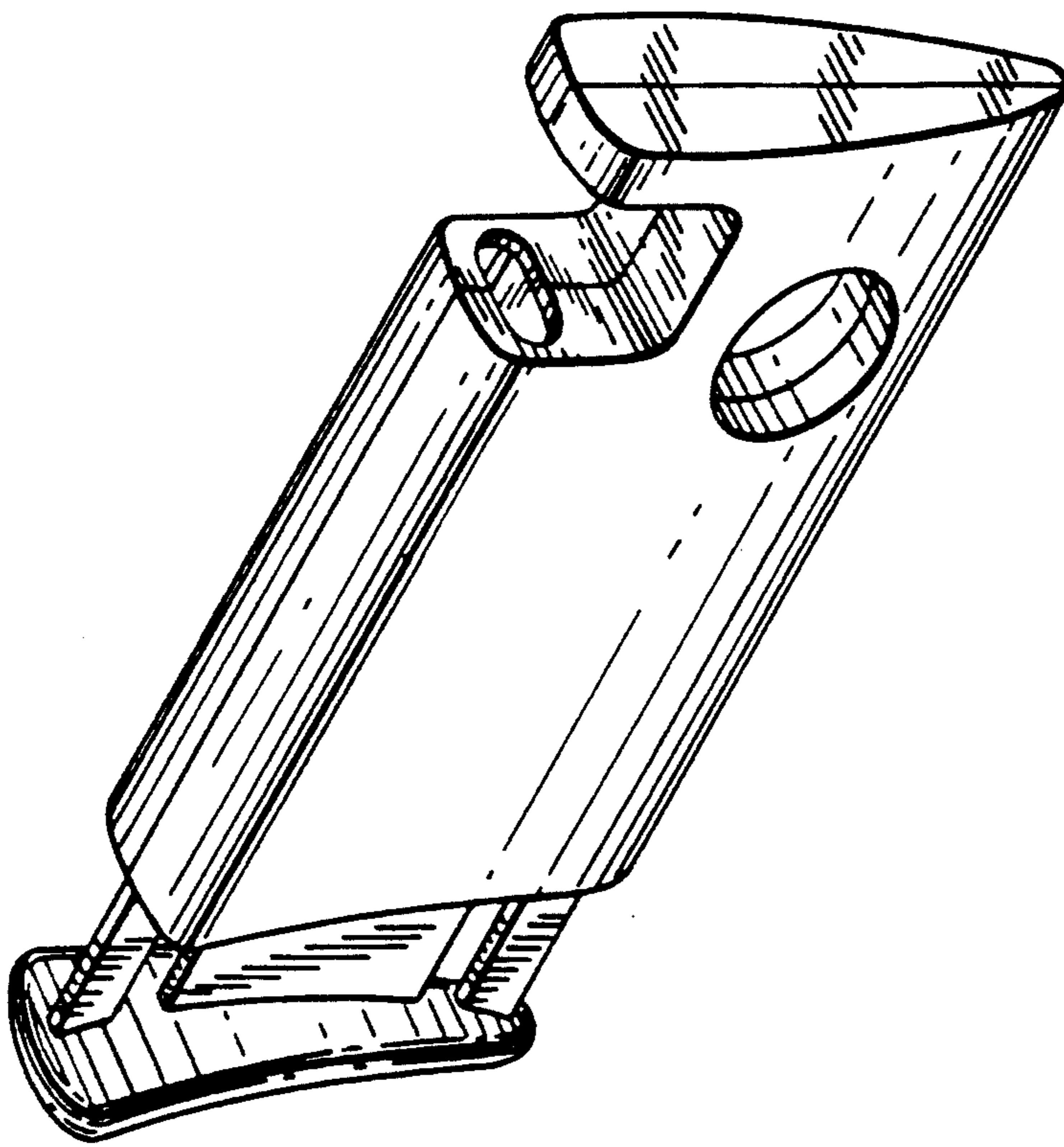


FIG. 2

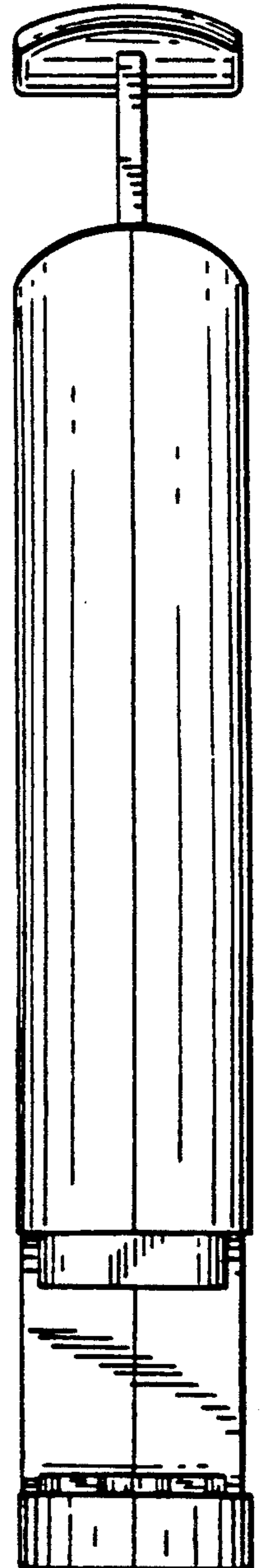


FIG. 4

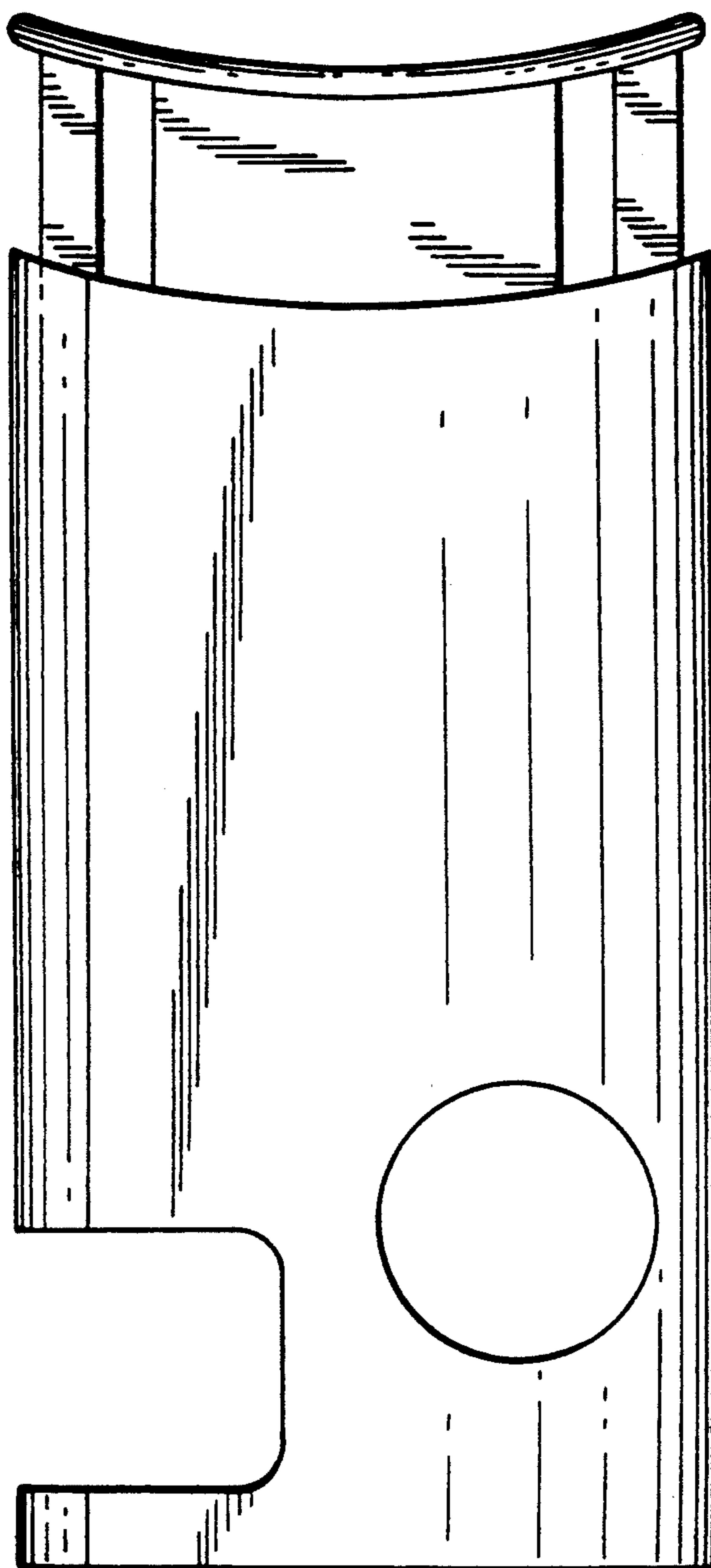
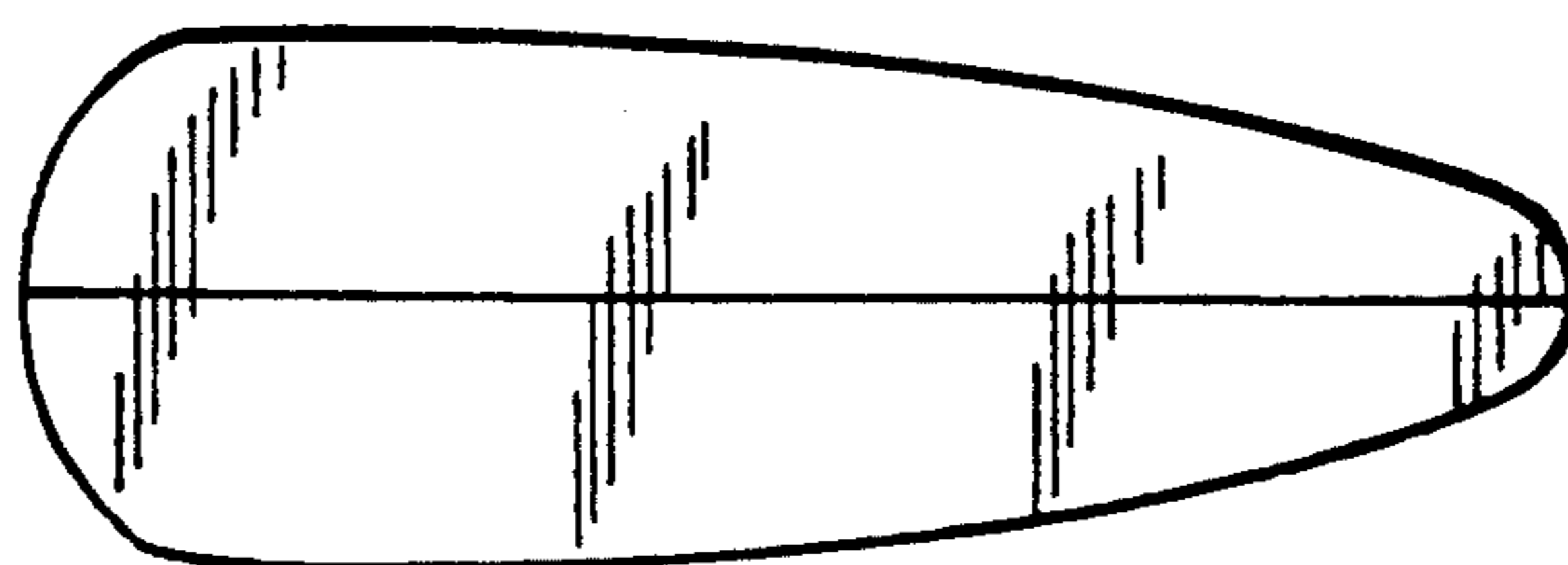


FIG. 3



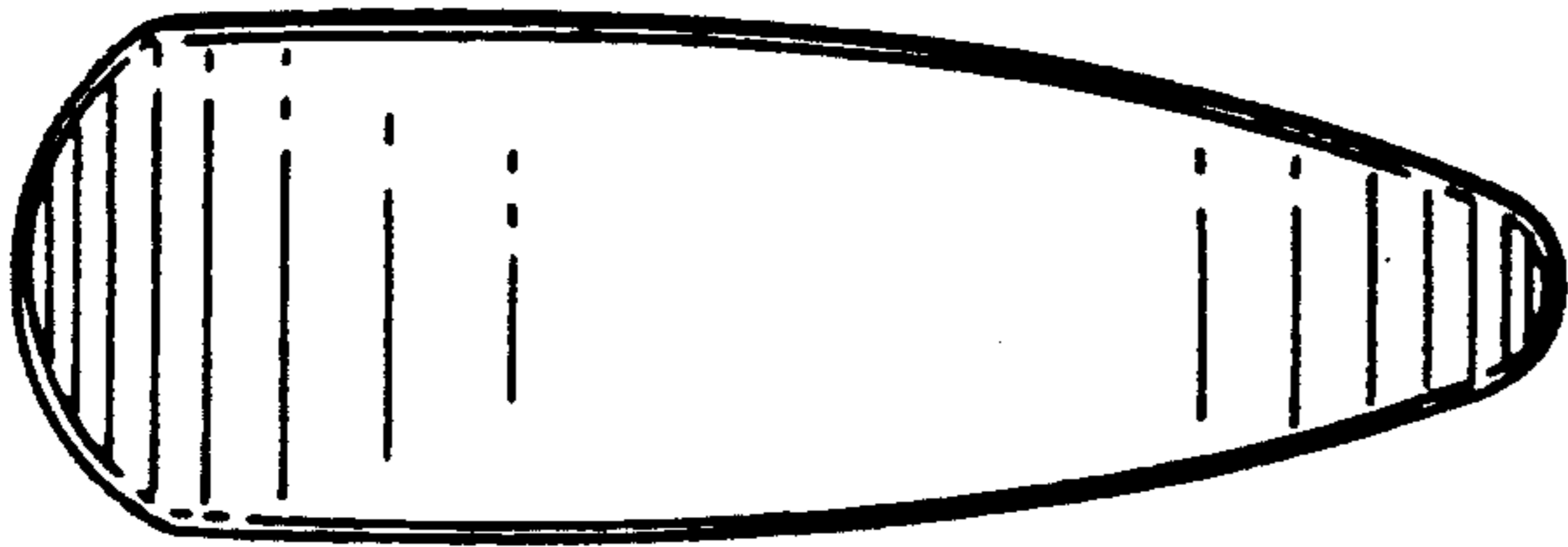


FIG. 5

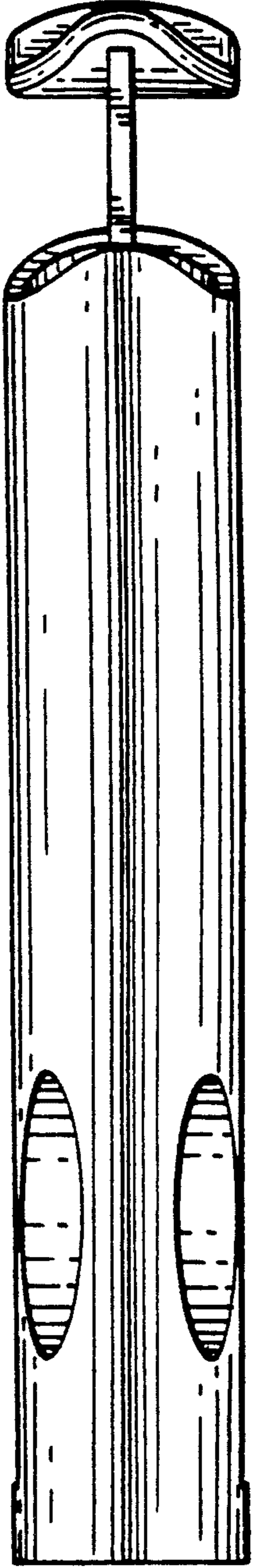


FIG. 6