



US00D347889S

# United States Patent [19]

[11] Patent Number: **Des. 347,889**

Mason

[45] Date of Patent: **\*\* Jun. 14, 1994**

[54] **COMBINED MOTOR HOUSING AND LIGHT FIXTURE FOR A CEILING FAN**

[76] Inventor: **Jean C. Mason, 2777 Woodshire Dr., Hollywood, Calif. 90068**

[\*\*] Term: **14 Years**

[21] Appl. No.: **12,876**

[22] Filed: **Sep. 13, 1993**

### Related U.S. Application Data

[62] Division of Ser. No. 815,352, Dec. 31, 1991, abandoned.

[52] U.S. Cl. .... **D23/411; D23/377; D23/379; D23/385**

[58] Field of Search ..... **416/5; 392/364, 362, 392/361; 362/96, 294; D23/411, 328, 377, 379, 385; D26/72, 59, 51, 81-86, 88**

### [56] References Cited

#### U.S. PATENT DOCUMENTS

Re. 18,960	10/1933	Dauman	.....	D26/88
D. 82,179	9/1930	Ringwald	.....	D23/379
1,565,277	12/1925	Hotchkin	.....	D26/88
1,744,270	1/1930	Kellogg	.....	362/96

### OTHER PUBLICATIONS

"Stealth 32000R", Casablanca Fan Co., 1991 brochure, p. 11.

"Marquis 33000R", Casablanca Fan Co., 1991 brochure, p. 33.

"Venus Halo 35000R", Casablanca Fan Co., 1991 brochure, p. 13.

#1273 "Mouldings from Antiquity" Decorator's Supply Catalog, 1970.

*Primary Examiner*—James M. Gandy

*Assistant Examiner*—Lisa Lichtenstein

*Attorney, Agent, or Firm*—Saidman Designlaw Group

### [57] CLAIM

The ornamental design for a combined motor housing and light fixture for a ceiling fan, as shown and described.

### DESCRIPTION

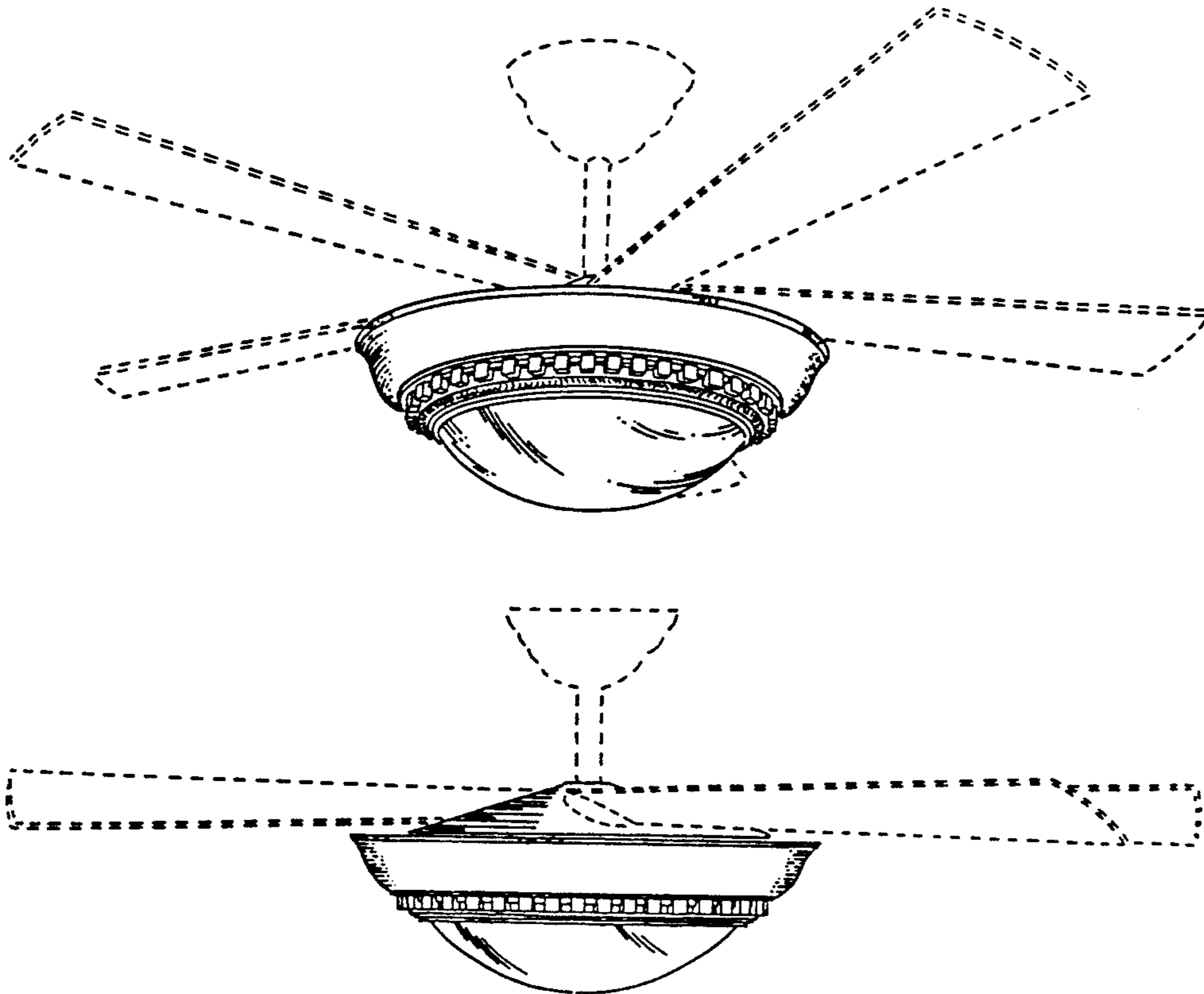
FIG. 1 is a perspective view of a combined motor housing and light fixture for a ceiling fan showing my new design;

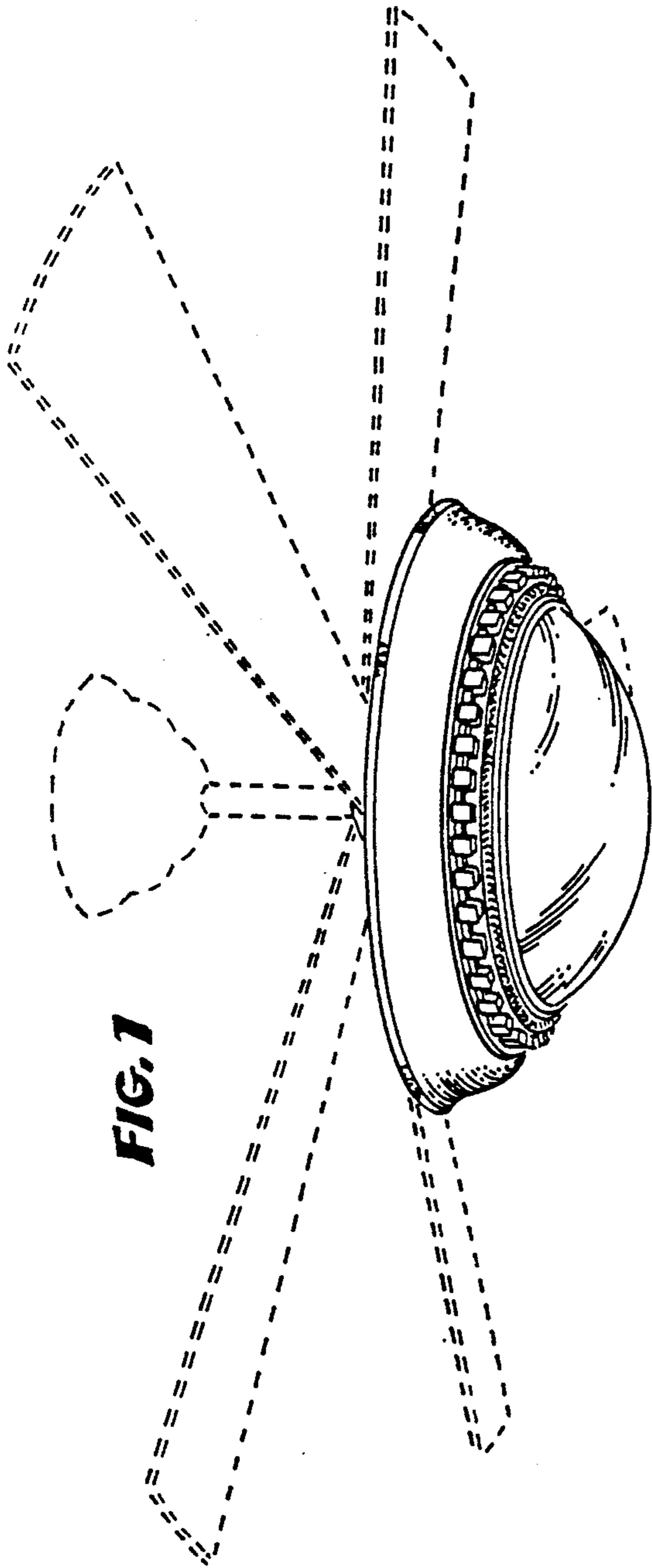
FIG. 2 is a side elevational view thereof, the other three sides being identical to that shown;

FIG. 3 is a top plan view thereof; and,

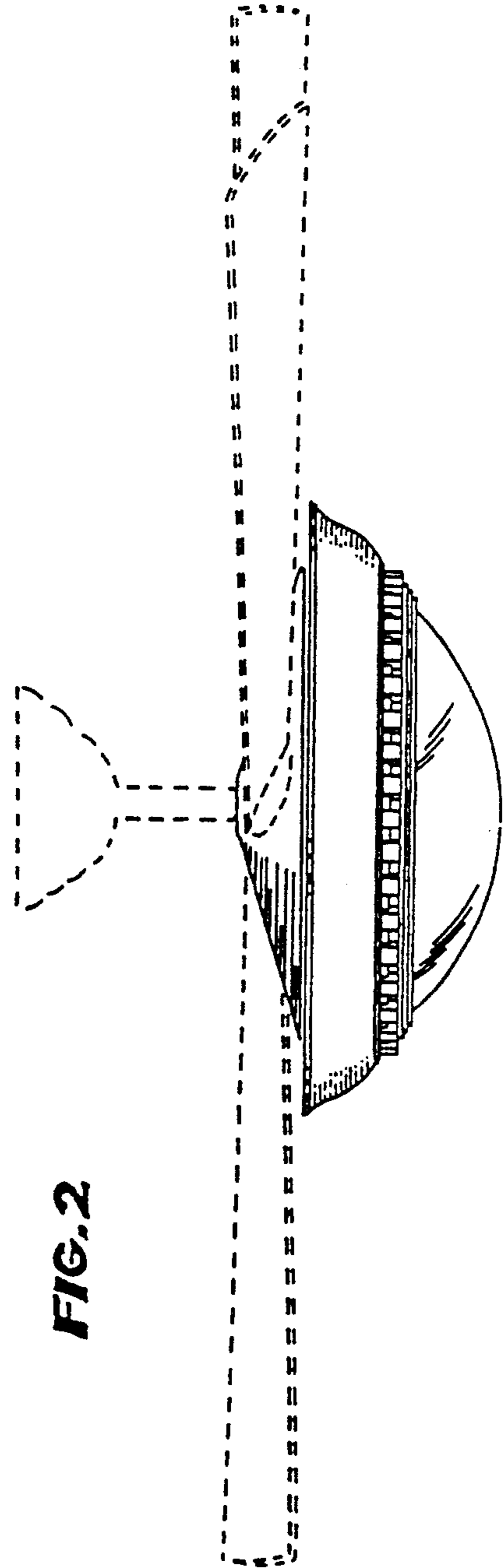
FIG. 4 is an enlarged bottom plan view thereof.

The broken lines showing the fan blades, rod and canopy of the ceiling fan in FIGS. 1-4 are for illustrative purposes only and form no part of the claimed design.

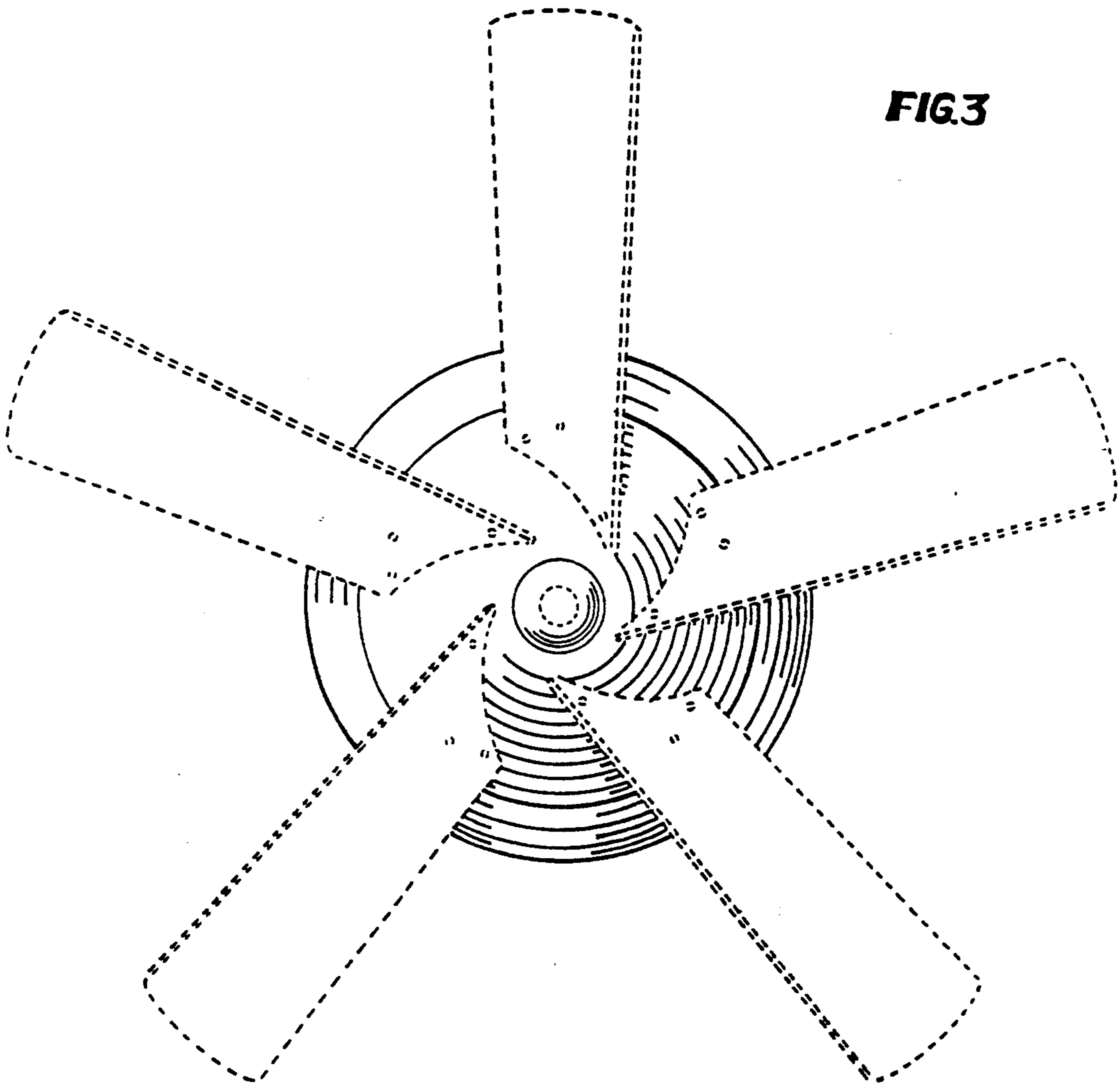




**FIG. 1**



**FIG. 2**



**FIG. 3**

**FIG. 4**

