



US00D347885S

United States Patent [19]

[11] Patent Number: **Des. 347,885**

Gustafsson

[45] Date of Patent: **** Jun. 14, 1994**

[54] **SEALING RING FOR SEALING JOINTED PIPES**

[75] Inventor: **Leif Gustafsson, Varnamo, Sweden**

[73] Assignee: **Forsheda AB, Forsheda, Sweden**

[**] Term: **14 Years**

[21] Appl. No.: **597,772**

[22] Filed: **Oct. 15, 1990**

[30] **Foreign Application Priority Data**

Apr. 18, 1990 [SE] Sweden 90-0865

[52] U.S. Cl. **D23/269**

[58] Field of Search 277/188 R, 207 A;
205/110; D23/259-269

[56] **References Cited**

U.S. PATENT DOCUMENTS

- D. 196,724 10/1963 Davis D23/269 X
- D. 244,533 5/1977 Eidelberg et al. D23/269
- D. 256,046 7/1980 Perrin D23/269
- D. 281,525 11/1985 Gilbert D23/269
- D. 285,109 8/1986 Jornhagen D23/269
- D. 285,247 8/1986 Jornhagen D23/269

- D. 289,078 3/1987 Vassallo et al. D23/269
- D. 322,120 12/1991 du Gay D23/269
- D. 323,024 1/1992 Petersson et al. D23/269
- 4,213,619 7/1980 Arlt et al. 277/207 A
- 4,344,461 8/1982 Beune et al. 277/207 A X
- 4,602,792 7/1986 Andrick 277/207 A
- 4,625,383 12/1986 Vassallo et al. 277/207 A
- 4,637,618 1/1987 Valls 277/207 A
- 4,666,165 5/1987 Nordin 277/207 A
- 4,818,209 4/1989 Petersson et al. 277/207 A X
- 4,834,398 5/1989 Guzowski et al. 277/207 A
- 5,064,207 11/1991 Bengtsson 277/207 A

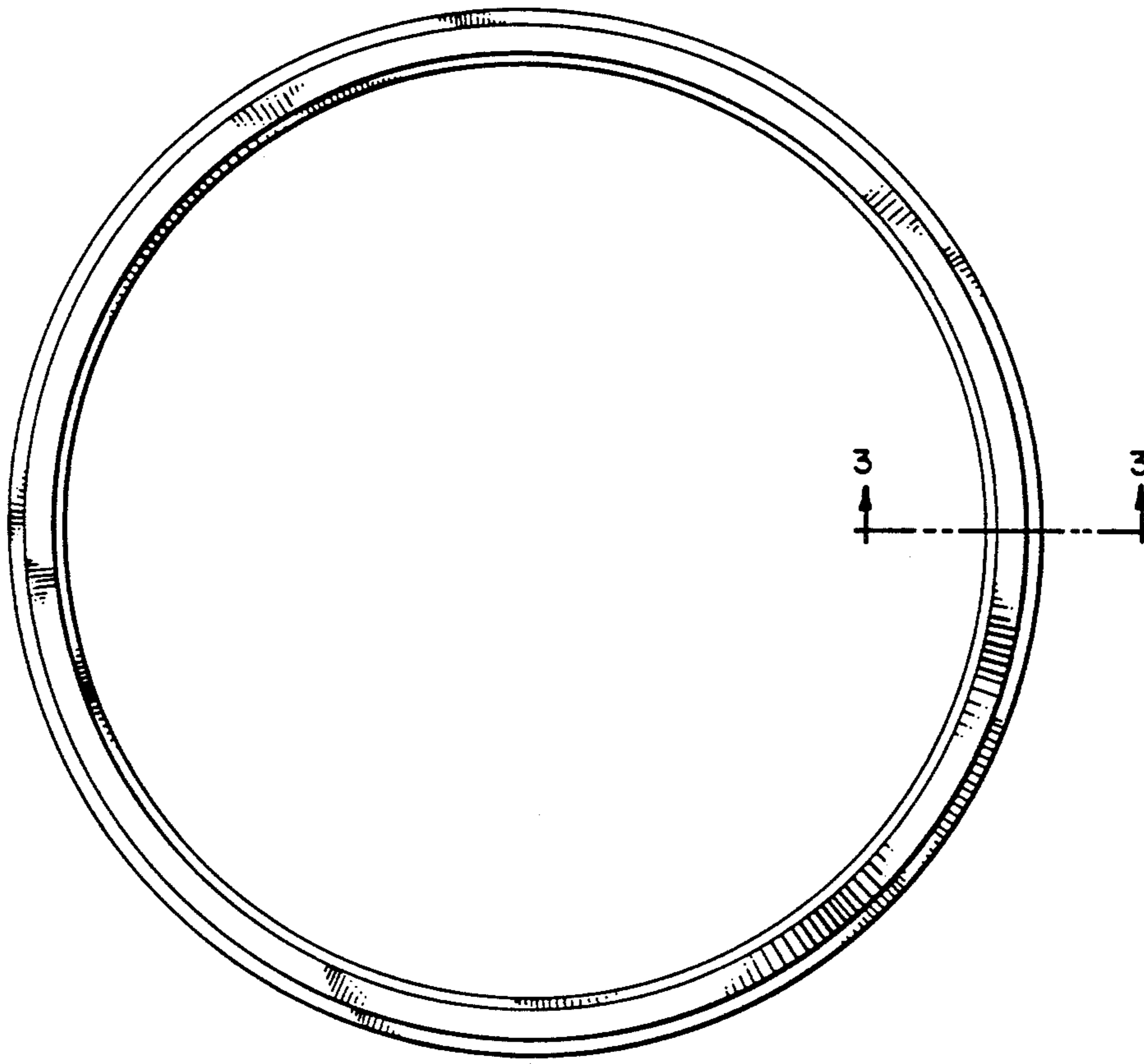
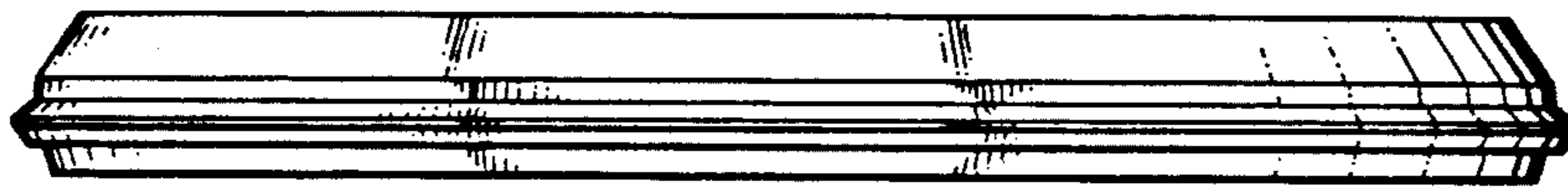
Primary Examiner—James R. Largen
Attorney, Agent, or Firm—Baker & Daniels

[57] **CLAIM**

The design for a sealing ring for sealing jointed pipes, as shown and described.

DESCRIPTION

FIG. 1 is a side elevational view of a sealing ring for sealing jointed pipes showing my new design the other sides being the same as the side shown; FIG. 2 is a top plan view thereof; and, FIG. 3 is an enlarged cross sectional view taken on line 3—3 of FIG. 2.



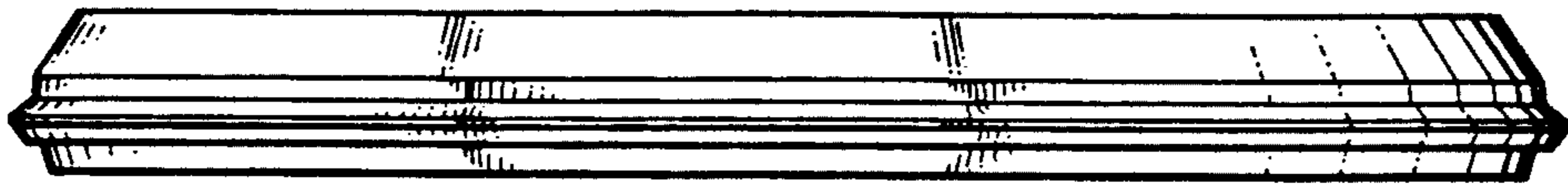


FIG. 1

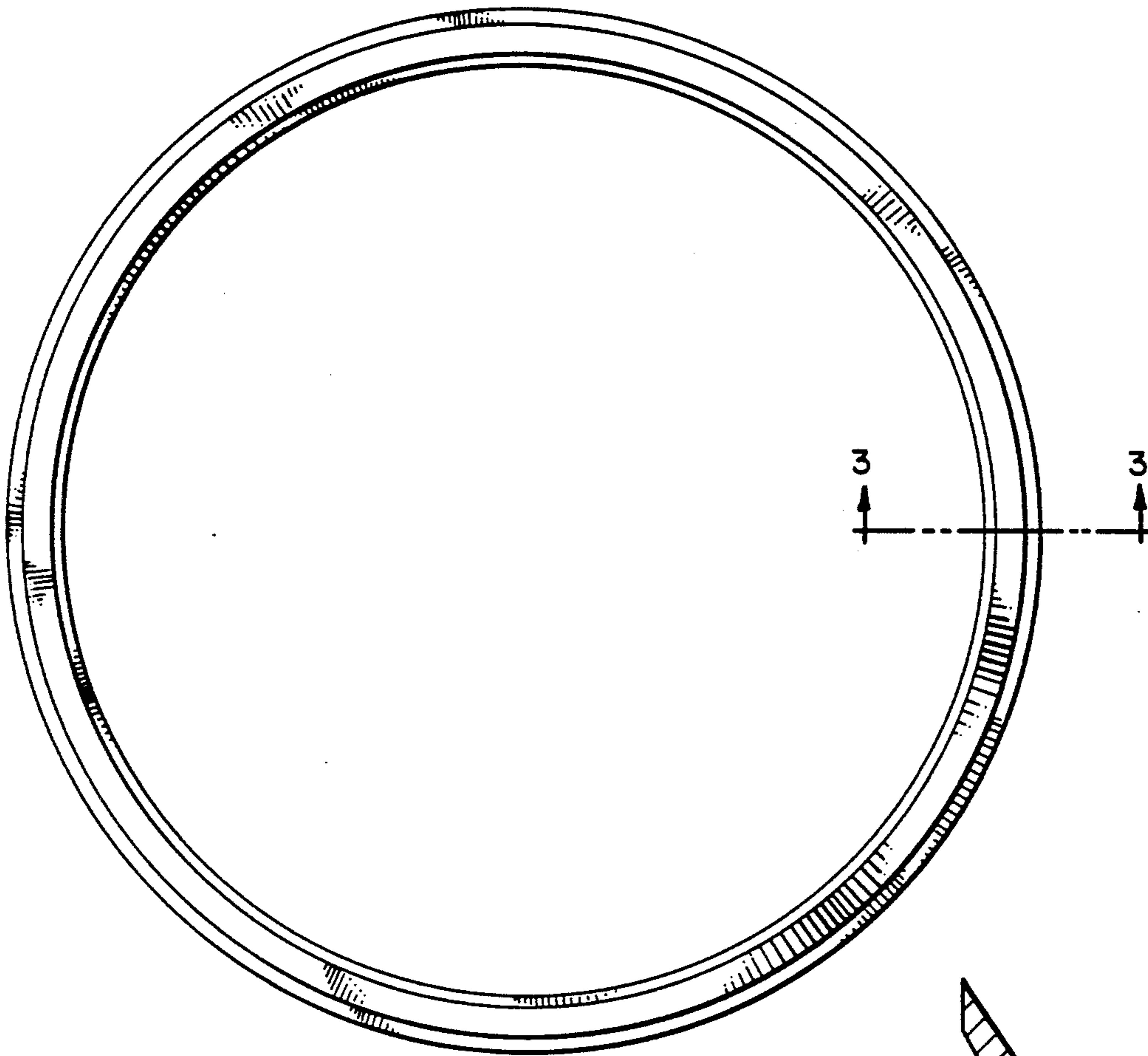


FIG. 2

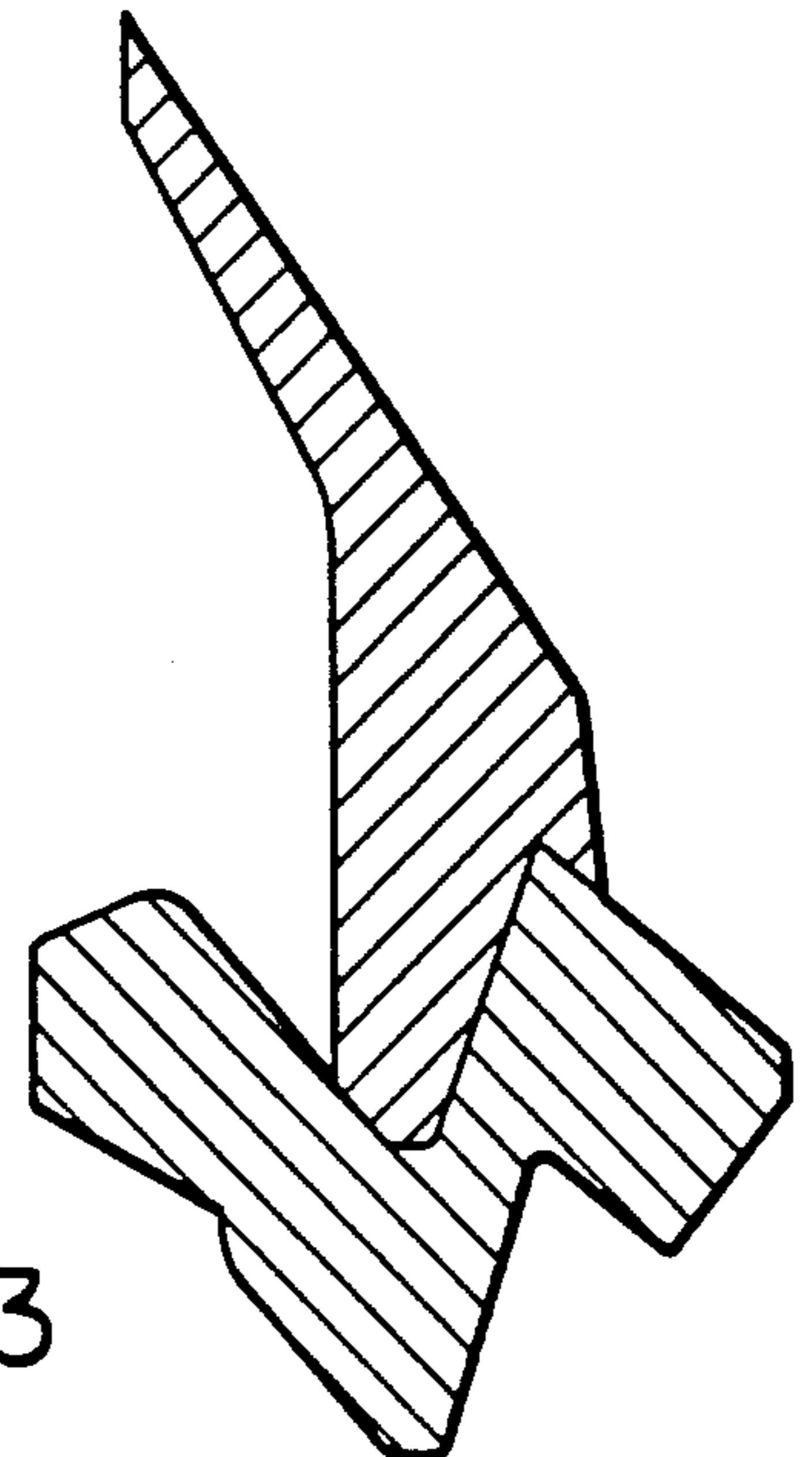


FIG. 3

UNITED STATES PATENT AND TRADEMARK OFFICE
CERTIFICATE OF CORRECTION

PATENT NO. : D-347,885
DATED : June 14, 1994
INVENTOR(S) : Leif Gustafsson

It is certified that error appears in the above-identified patent and that said Letters Patent is hereby corrected as shown below: On the title page: Claim 1,

after "the" insert --ornamental--.

Signed and Sealed this
Eighteenth Day of October, 1994

Attest:



BRUCE LEHMAN

Attesting Officer

Commissioner of Patents and Trademarks