



US00D347881S

United States Patent [19]

Amore, Jr.

[11] Patent Number: **Des. 347,881**

[45] Date of Patent: **** Jun. 14, 1994**

[54] **TOILET FLUSHING UNIT FOR PREVENTING OVERFLOW**

[76] Inventor: **Salvador Amore, Jr., 7971, Lichen Dr., Citrus Heights, Calif. 95621**

[**] Term: **14 Years**

[21] Appl. No.: **5,538**

[22] Filed: **Mar. 5, 1993**

[52] U.S. Cl. **D23/236**

[58] Field of Search **4/249, DIG. 3, DIG. 15; D23/233-237, 244-249**

1,956,086	4/1934	Tracy	4/427
3,059,242	4/1960	Bachli et al.	D23/236 X
4,041,557	8/1977	Ringler	4/427

Primary Examiner—Stella Reid
Assistant Examiner—Eric Watterson
Attorney, Agent, or Firm—Terry M. Gernstein

[57] **CLAIM**

The ornamental design for a toilet flushing unit for preventing overflow, as shown and described.

DESCRIPTION

FIG. 1 is a front, top and side perspective view of a toilet flushing unit for preventing overflow showing my new design;

FIG. 2 is a front elevational view thereof;

FIG. 3 is a rear elevational view thereof;

FIG. 4 is a side elevational view thereof, the side opposite being a mirror image of the side shown in FIG. 4;

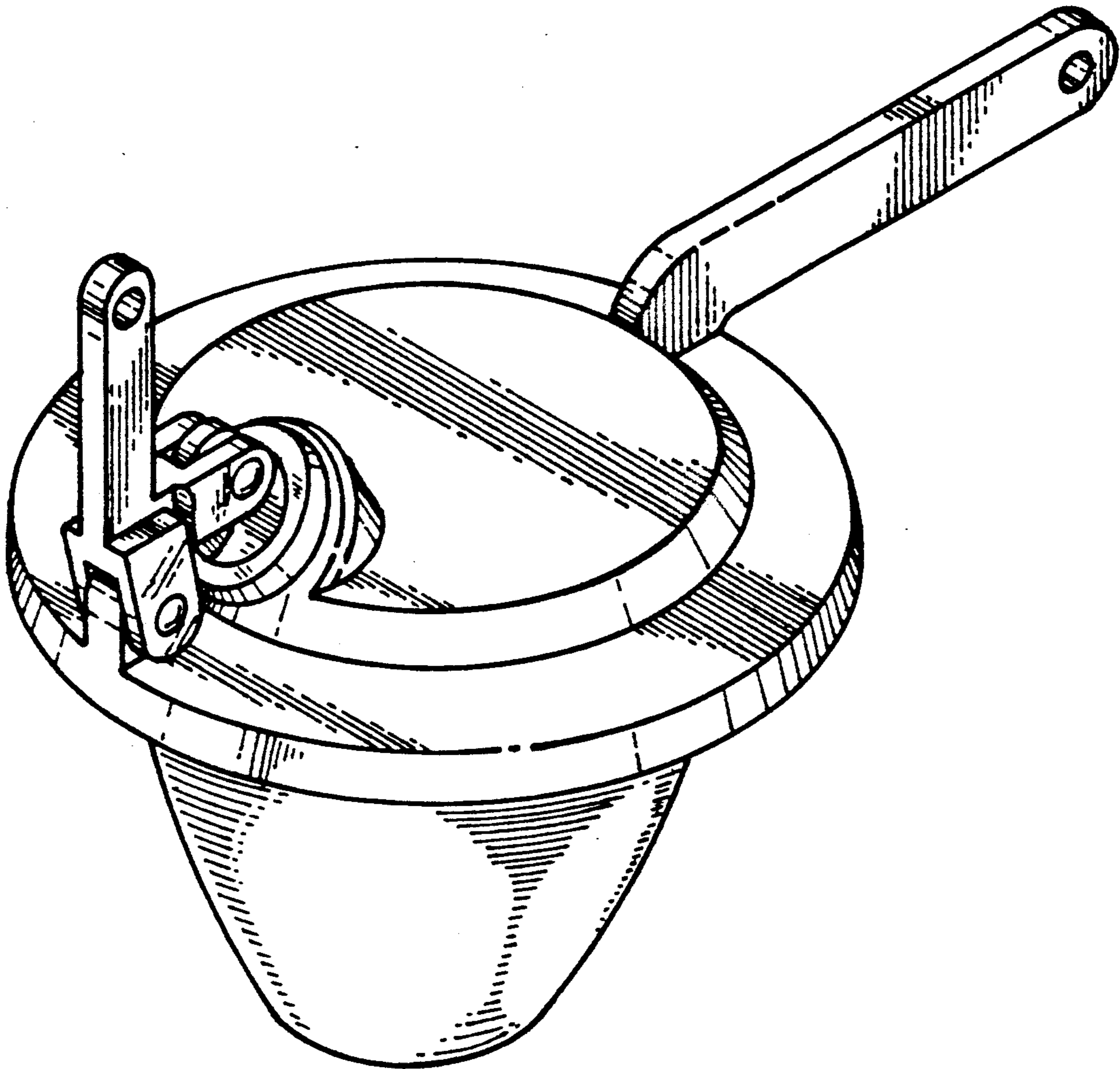
FIG. 5 is a top plan view thereof; and,

FIG. 6 is a bottom plan view thereof.

[56] **References Cited**

U.S. PATENT DOCUMENTS

D. 199,223	9/1964	Rennels	4/395 X
D. 203,378	12/1965	Harold	D23/236
D. 238,424	1/1976	Schoepe et al.	D23/236
196,368	11/1877	Lowell	137/527.8 X
1,808,329	6/1931	Tilden	4/391
1,815,384	7/1931	Tracy	4/427



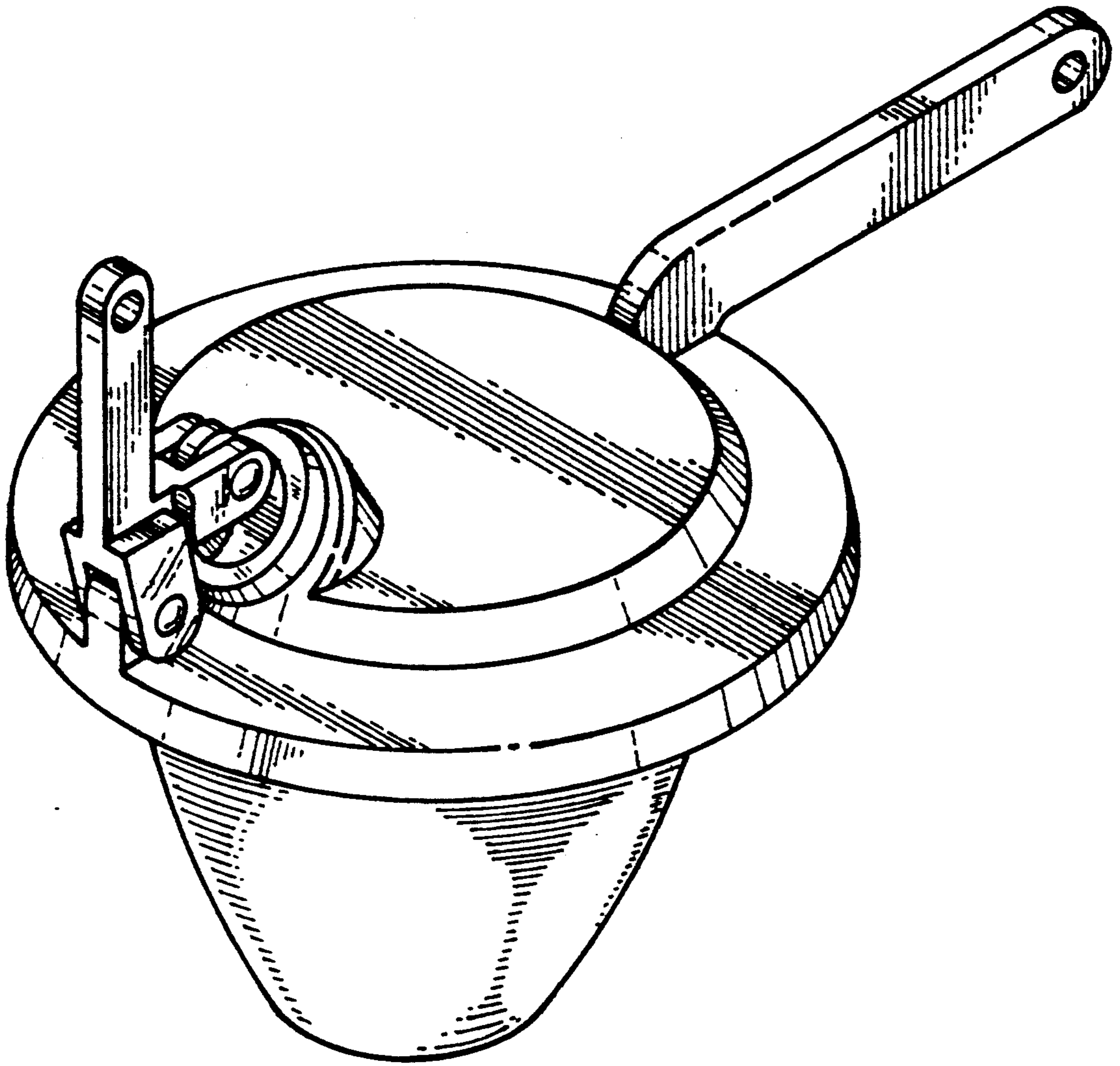


FIG.1

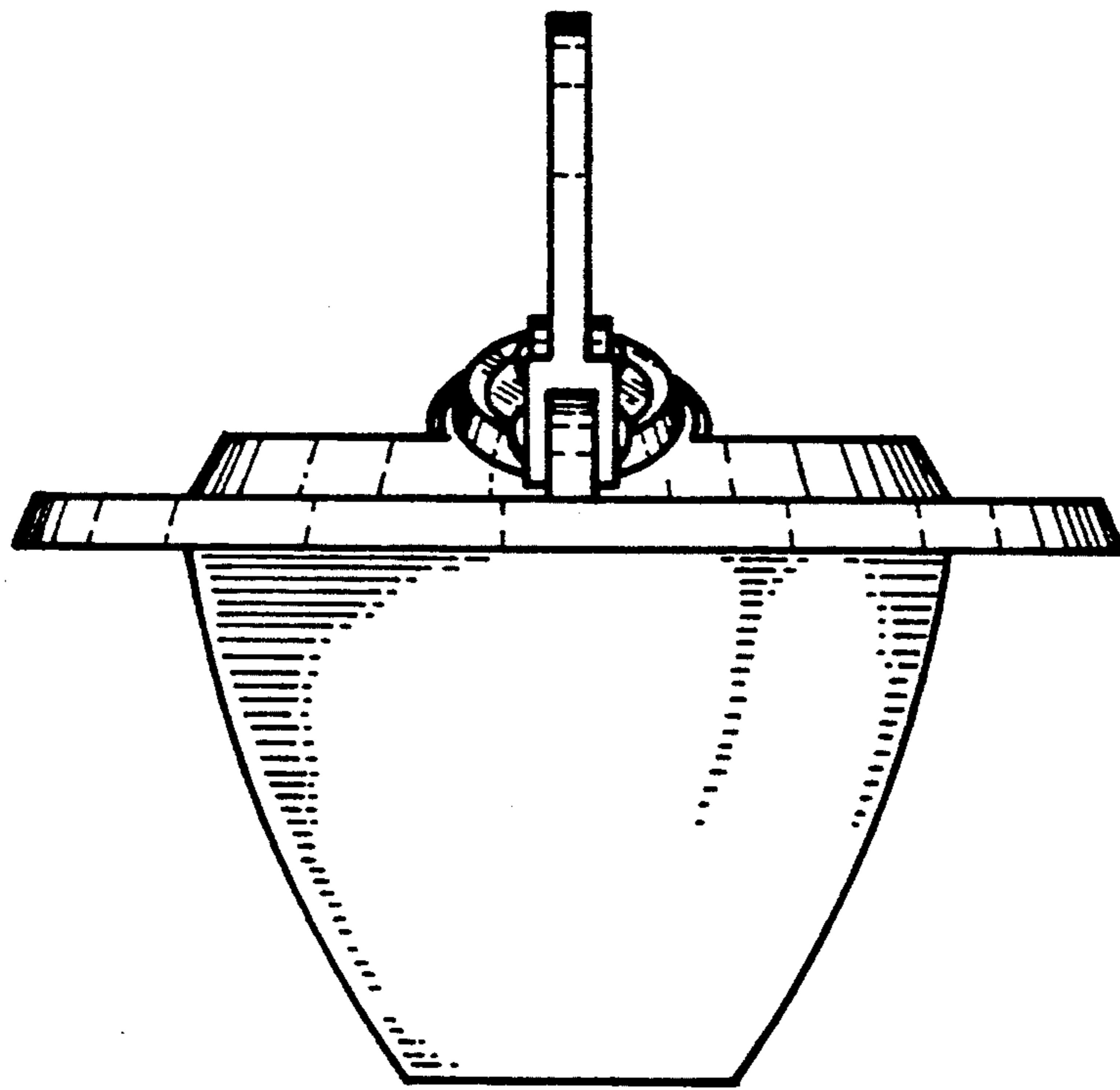


FIG. 2

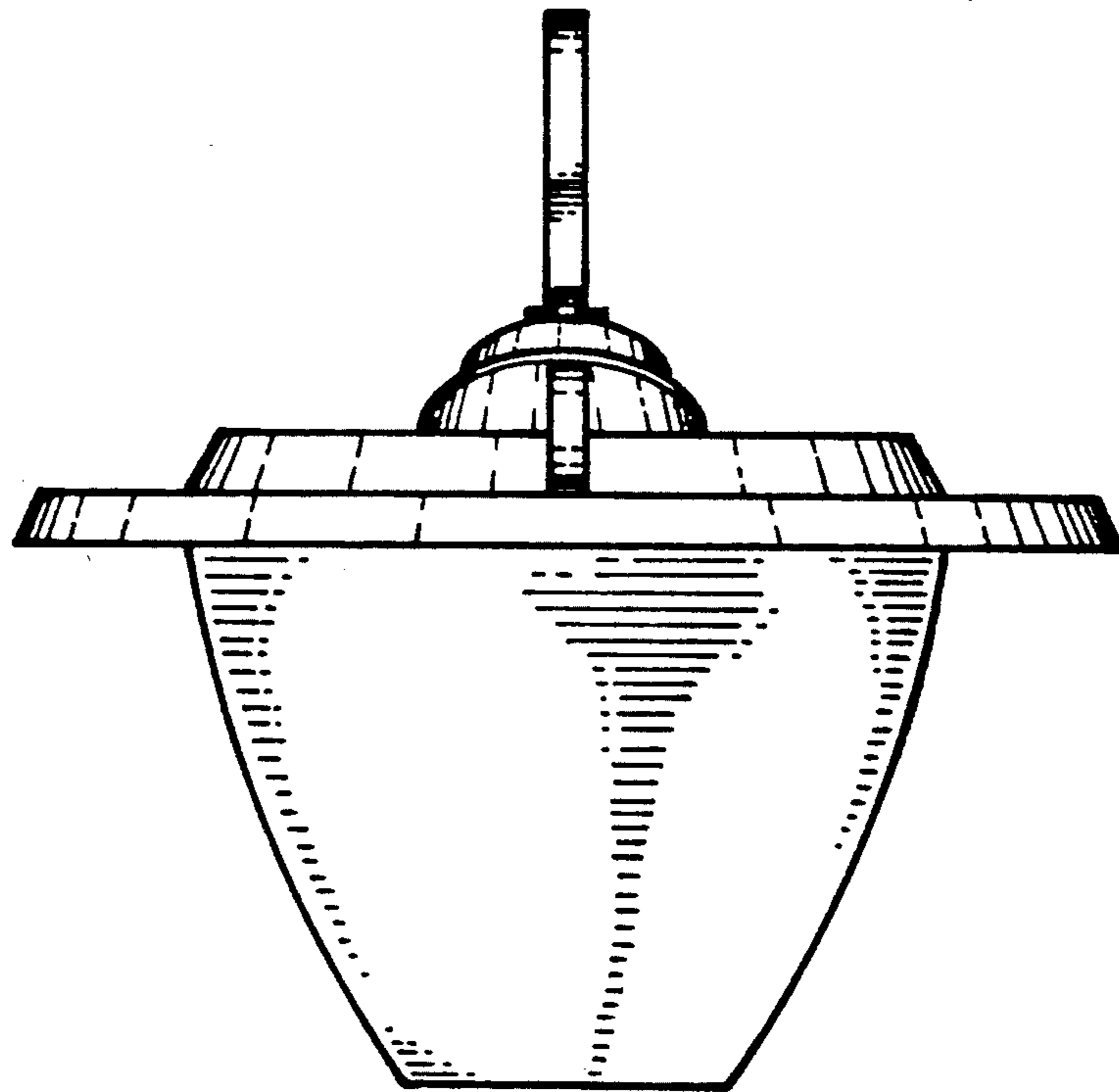


FIG. 3

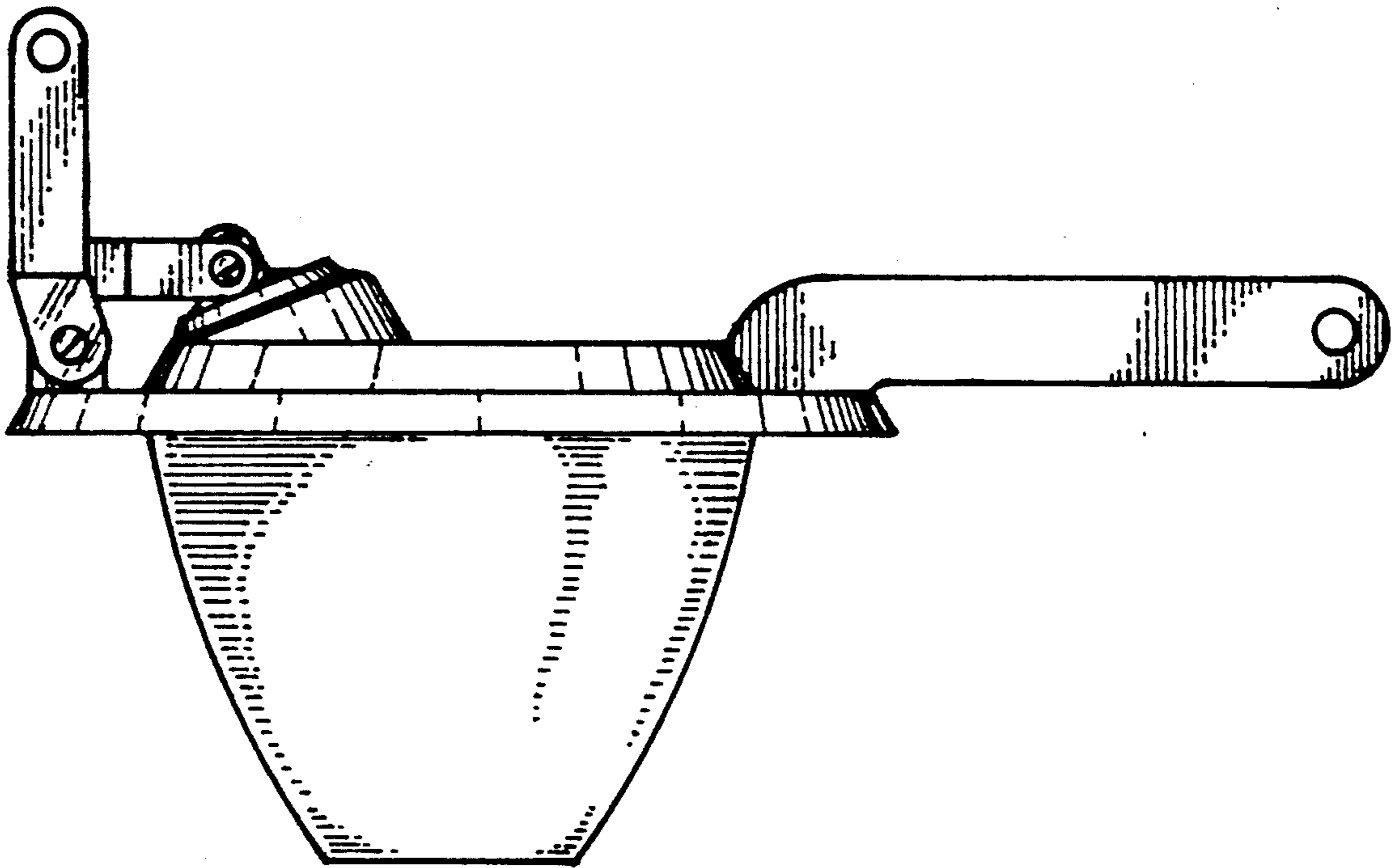


FIG. 4

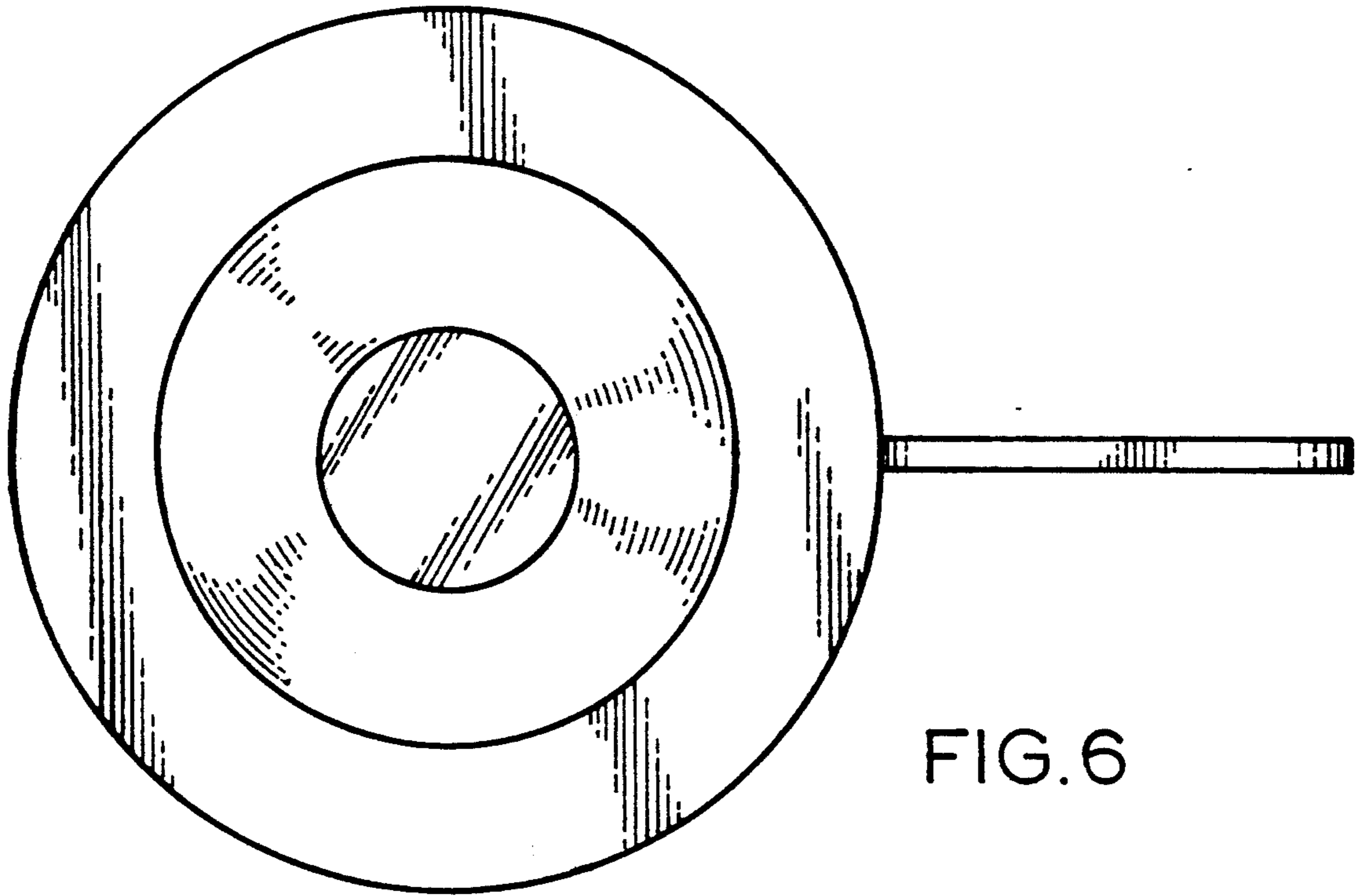


FIG. 6

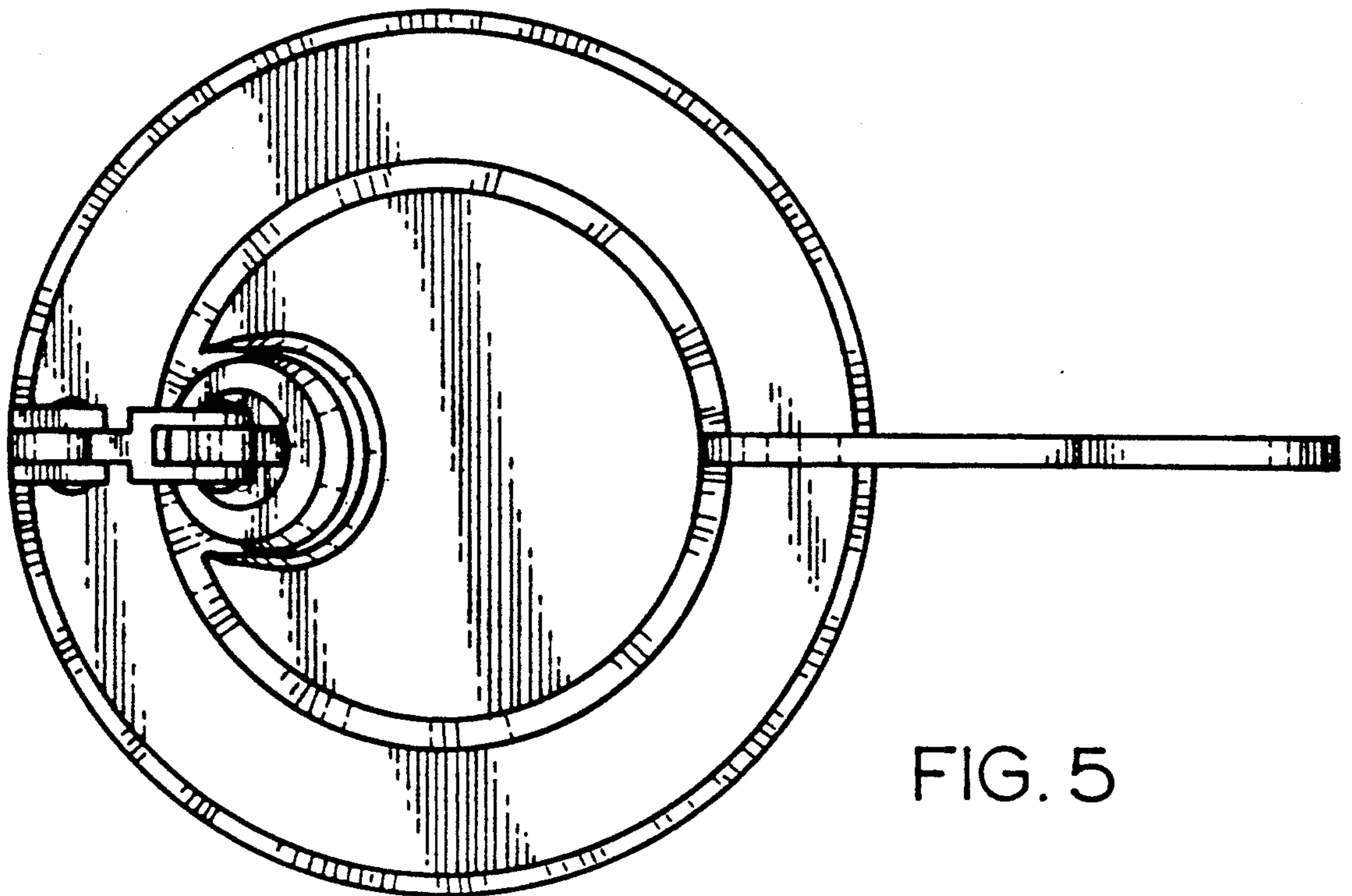


FIG. 5