



US00D347879S

# United States Patent [19]

[11] Patent Number: **Des. 347,879**

Ali

[45] Date of Patent: **\*\* Jun. 14, 1994**

[54] CONTAINER FOR ATTACHMENT TO A HERBICIDE SPRAYER

[56] References Cited

[75] Inventor: **Eren Ali, Bristol, United Kingdom**

### U.S. PATENT DOCUMENTS

[73] Assignee: **Nomix-Chipman Limited, Bristol, United Kingdom**

- D. 284,885 7/1986 Nakamura ..... D23/225
- D. 298,451 11/1988 Kille ..... D23/225
- D. 326,137 5/1992 Ali .
- D. 334,972 4/1993 Berfield ..... D23/225

[\*\*] Term: **14 Years**

*Primary Examiner*—Wallace R. Burke  
*Assistant Examiner*—Robin Taylor  
*Attorney, Agent, or Firm*—Merchant & Gould, Smith, Edell, Welter & Schmidt

[21] Appl. No.: **940,720**

[57] CLAIM

[22] Filed: **Sep. 4, 1992**

The ornamental design for a container for attachment to a herbicide sprayer, as shown.

[30] Foreign Application Priority Data

### DESCRIPTION

Mar. 5, 1992 [GB] United Kingdom ..... 2021419

[52] U.S. Cl. .... **D23/225**

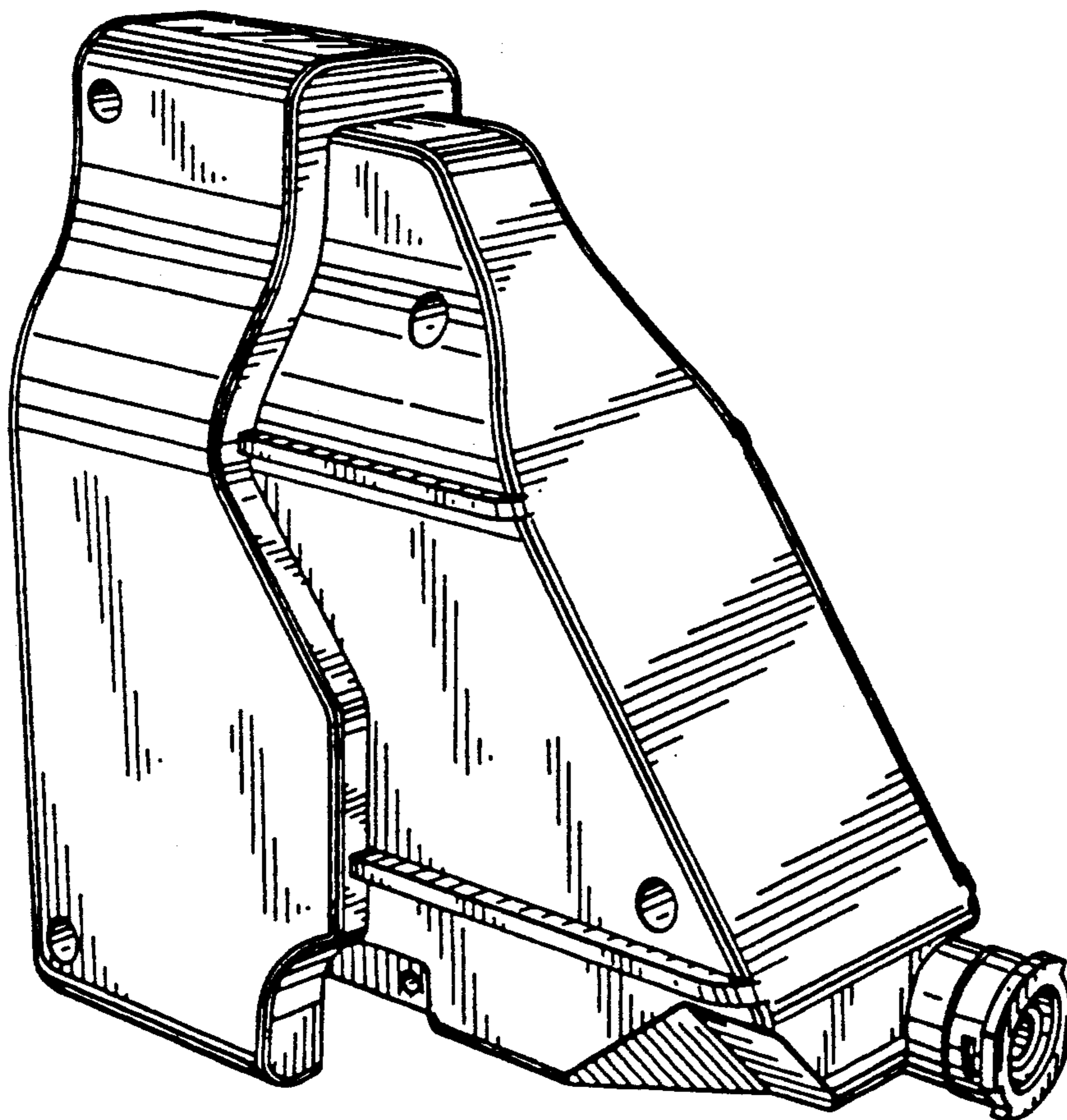
[58] Field of Search ..... 239/532, 567, 568, 530, 239/531; D23/213, 223-229, 200, 202

FIG. 1 is a front perspective view from above and one side;

FIG. 2 is a bottom plan view;

FIG. 3 is a rear elevation view; and,

FIG. 4 is a side elevation view.



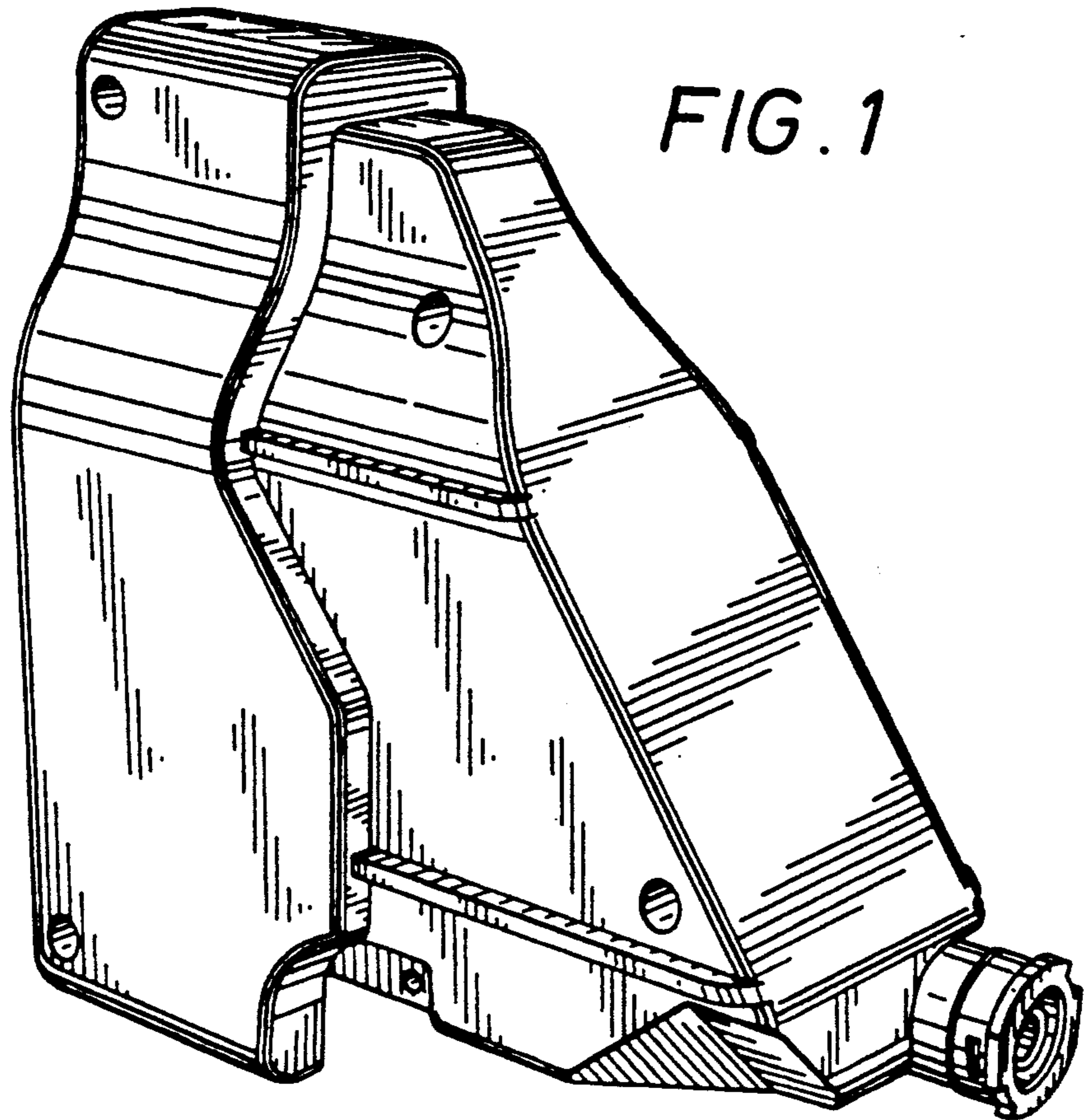


FIG. 2

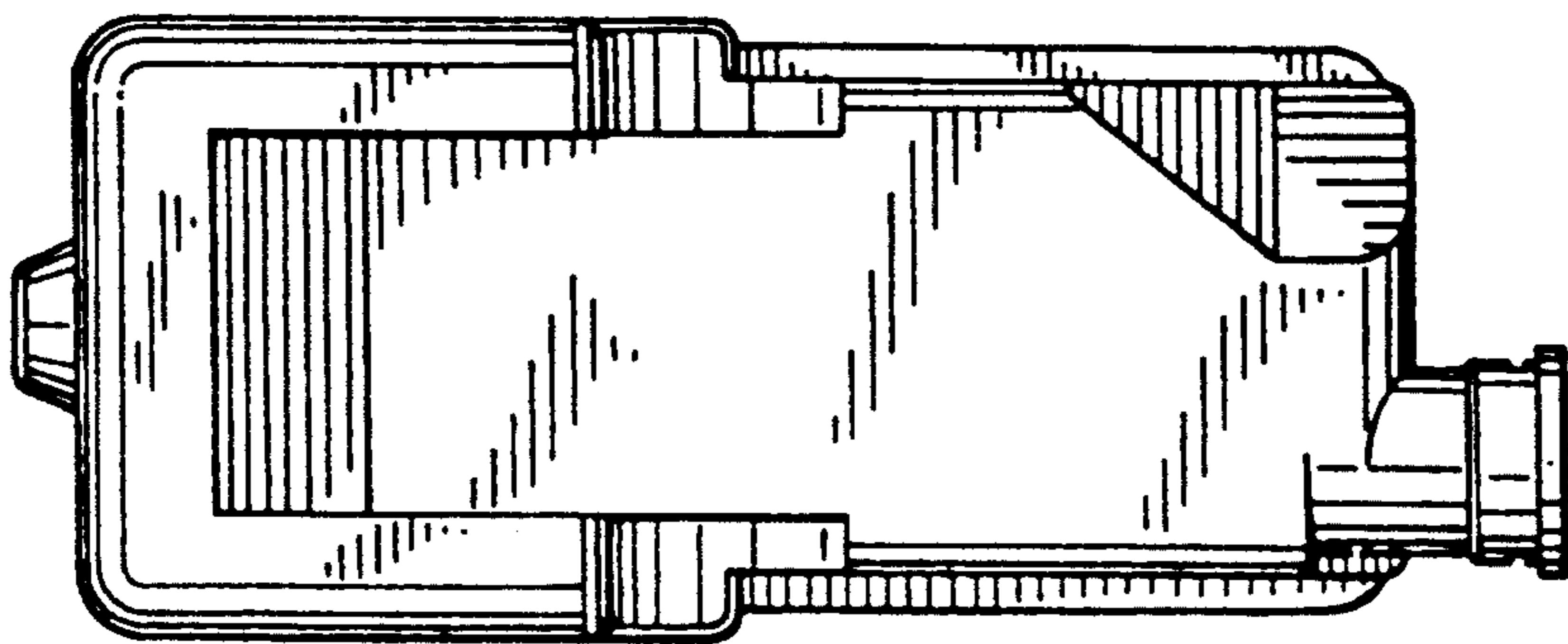


FIG. 3

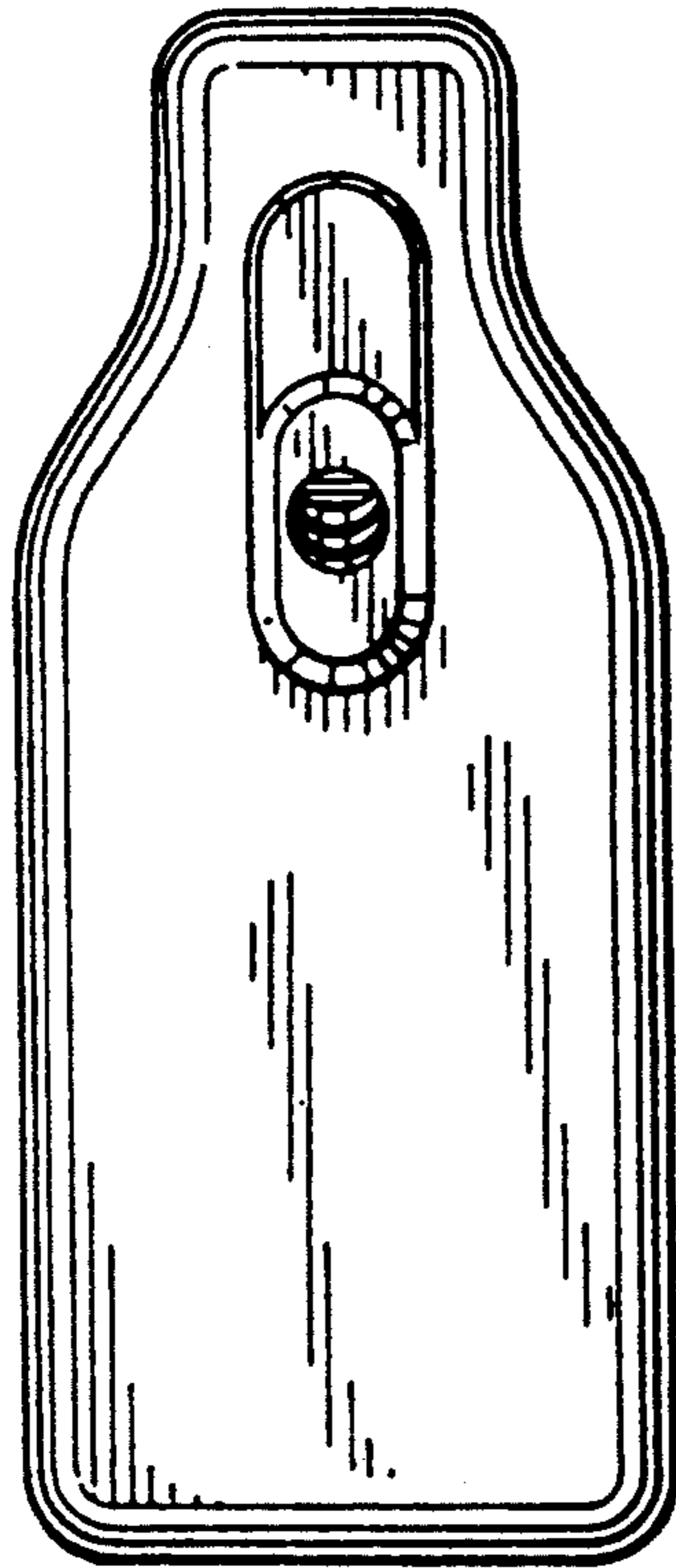


FIG. 4

