



US00D347877S

United States Patent [19]

Asano et al.

[11] Patent Number: **Des. 347,877**

[45] Date of Patent: **** Jun. 14, 1994**

[54] **FISHING REEL BODY**

D. 329,271 9/1992 Shiozaki D22/141

[75] Inventors: **Shinichi Asano; Eiji Shinohara; Chihiro Kono**, all of Tokyo, Japan

FOREIGN PATENT DOCUMENTS

[73] Assignee: **Daiwa Seiko, Inc.**, Tokyo, Japan

- 694169 12/1986 Japan .
- 728359 3/1988 Japan .
- 728927 4/1988 Japan .
- 764526 6/1989 Japan .
- 821505 10/1991 Japan .
- 821511 10/1991 Japan .

[**] Term: **14 Years**

[21] Appl. No.: **903,619**

[22] Filed: **Jun. 24, 1992**

Primary Examiner—A. Hugo Word
Assistant Examiner—Doris V. Coles
Attorney, Agent, or Firm—Cushman Darby & Cushman

[30] Foreign Application Priority Data

- Dec. 25, 1991 [JP] Japan 3-39174
- May 13, 1992 [JP] Japan 4-13879
- [52] U.S. Cl. **D22/141**
- [58] Field of Search 242/230-233,
242/246, 245, 224; D22/140, 141

[57] CLAIM

The ornamental design for a fishing reel body, as shown and described.

[56] References Cited

U.S. PATENT DOCUMENTS

- D. 295,775 5/1988 Kameda D22/141
- D. 304,065 10/1989 Haynes D22/141
- D. 308,717 6/1990 Hiraishi et al. D22/141
- D. 309,650 7/1990 Kameda et al. D22/141
- D. 314,808 2/1991 Yoshikawa et al. D22/141
- D. 316,663 4/1991 Yoshikawa et al. D22/141
- D. 321,741 11/1991 Kameda et al. D22/141
- D. 324,719 3/1992 Shiozaki et al. D22/141
- D. 326,499 5/1992 Nouma D22/141
- D. 327,312 6/1992 Myojo D22/141
- D. 327,526 6/1992 Shiozaki D22/141

DESCRIPTION

FIG. 1 is a rear, top and left side of the perspective view of a fishing reel body showing our new design; FIG. 2 is a front, top and right side of the perspective view thereof; FIG. 3 is a front elevational view thereof; FIG. 4 is a rear elevational view thereof; FIG. 5 is a left side elevational view thereof; FIG. 6 is a right side elevational view thereof; FIG. 7 is a top plan view thereof; and, FIG. 8 is a bottom view thereof. The broken line showing of the rest of a fishing reel in FIGS. 1-8 is for illustrative purposes only and forms no part of the claimed design.

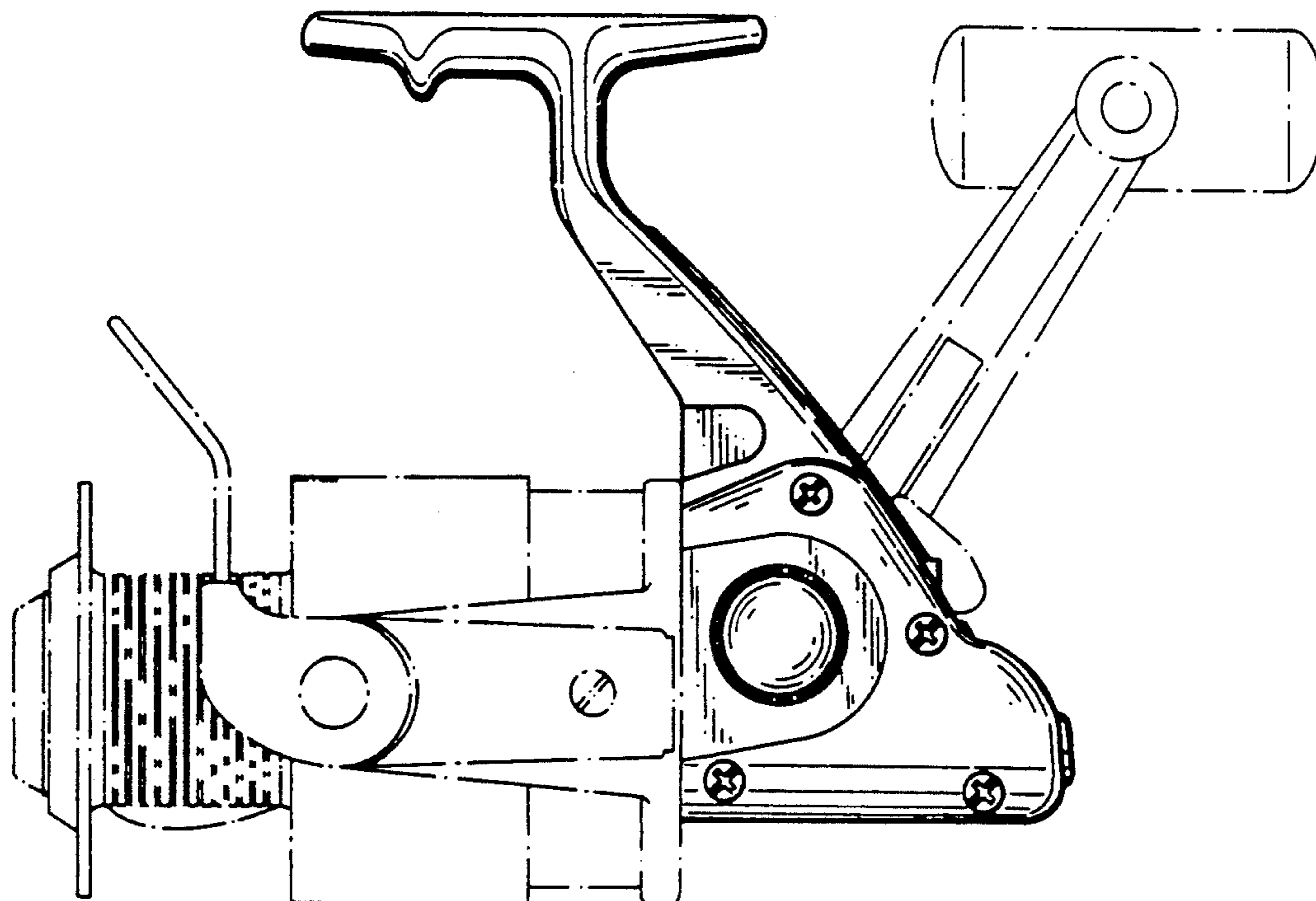


Fig. 1

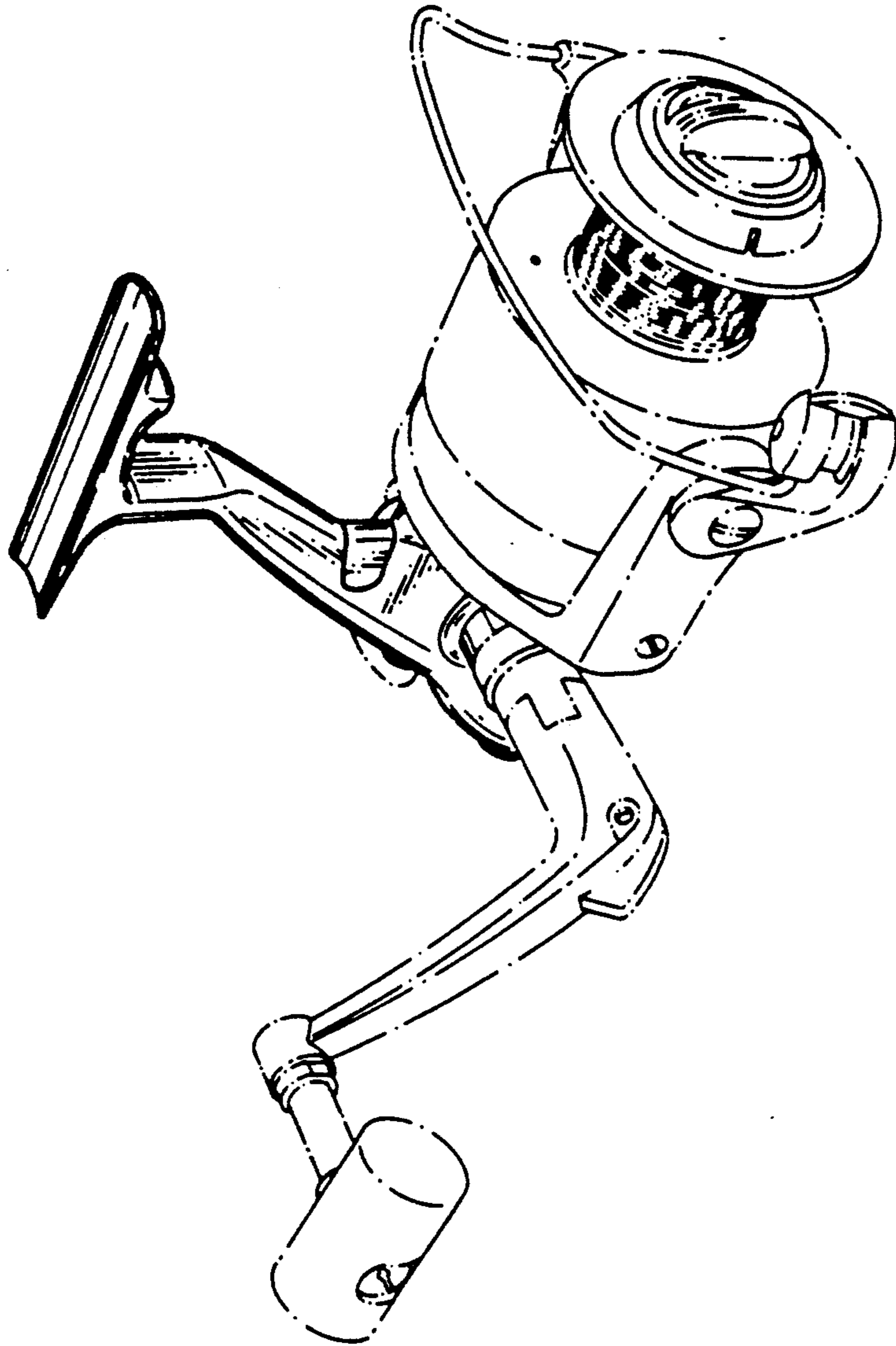


Fig. 2

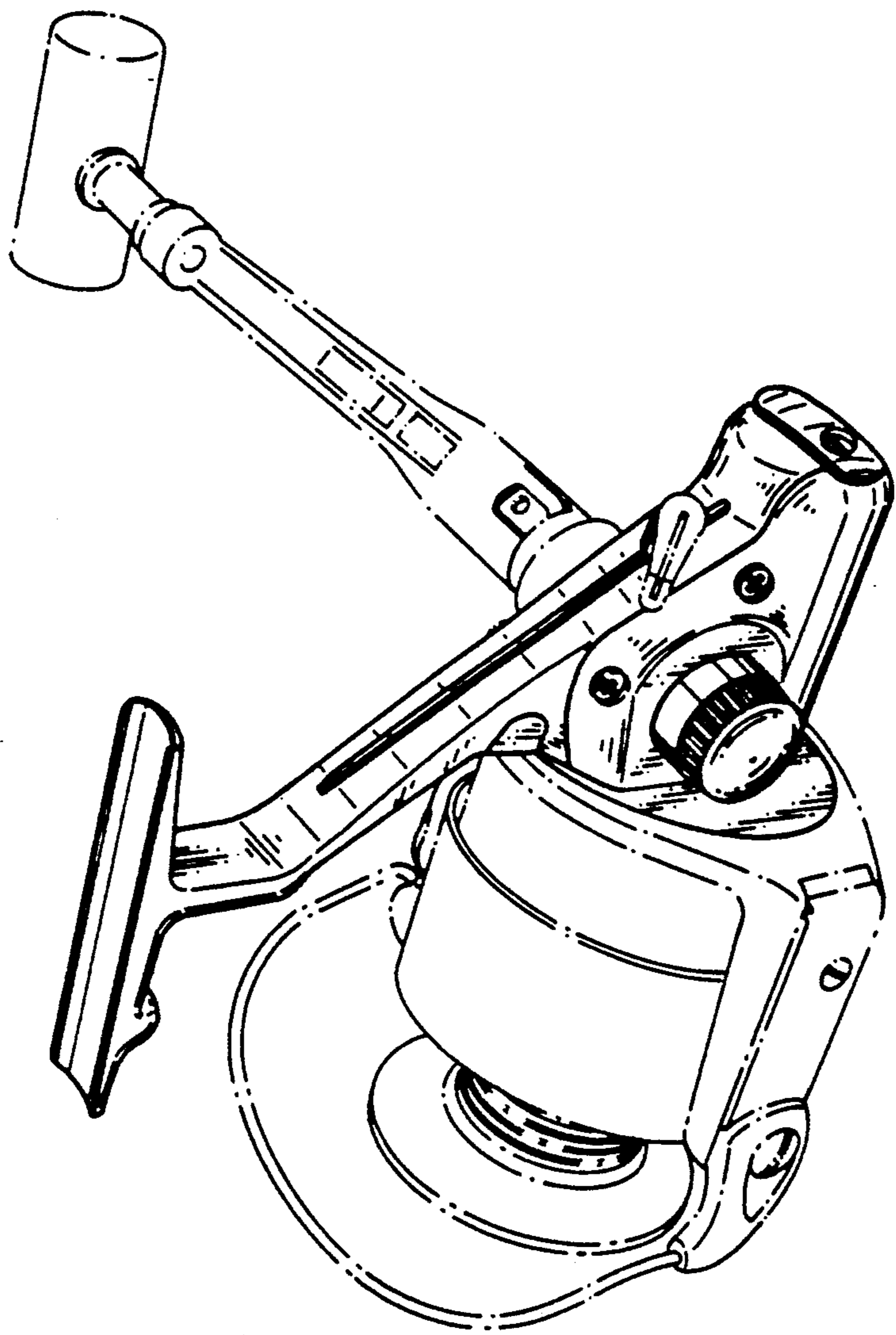


Fig. 3

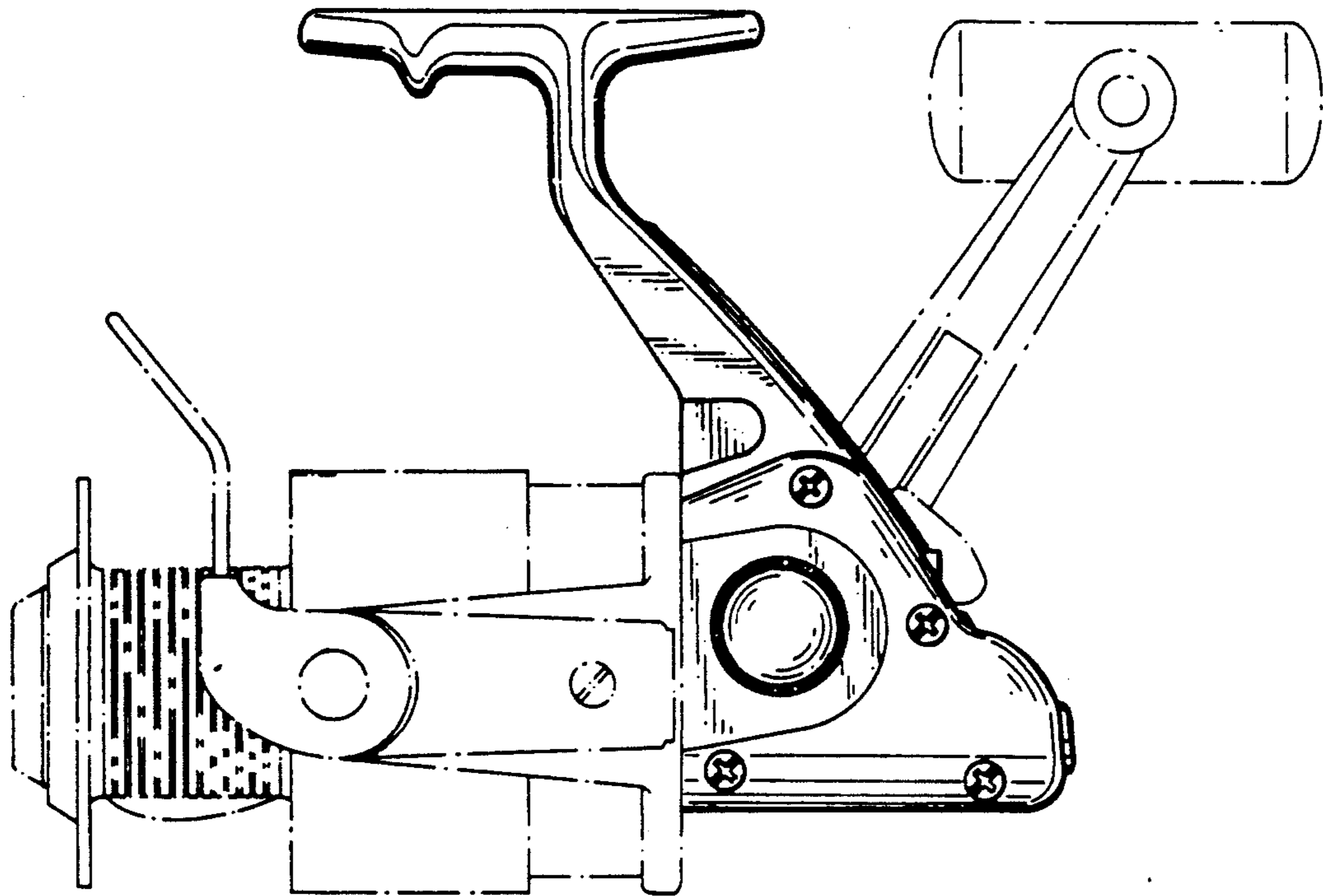


Fig. 4

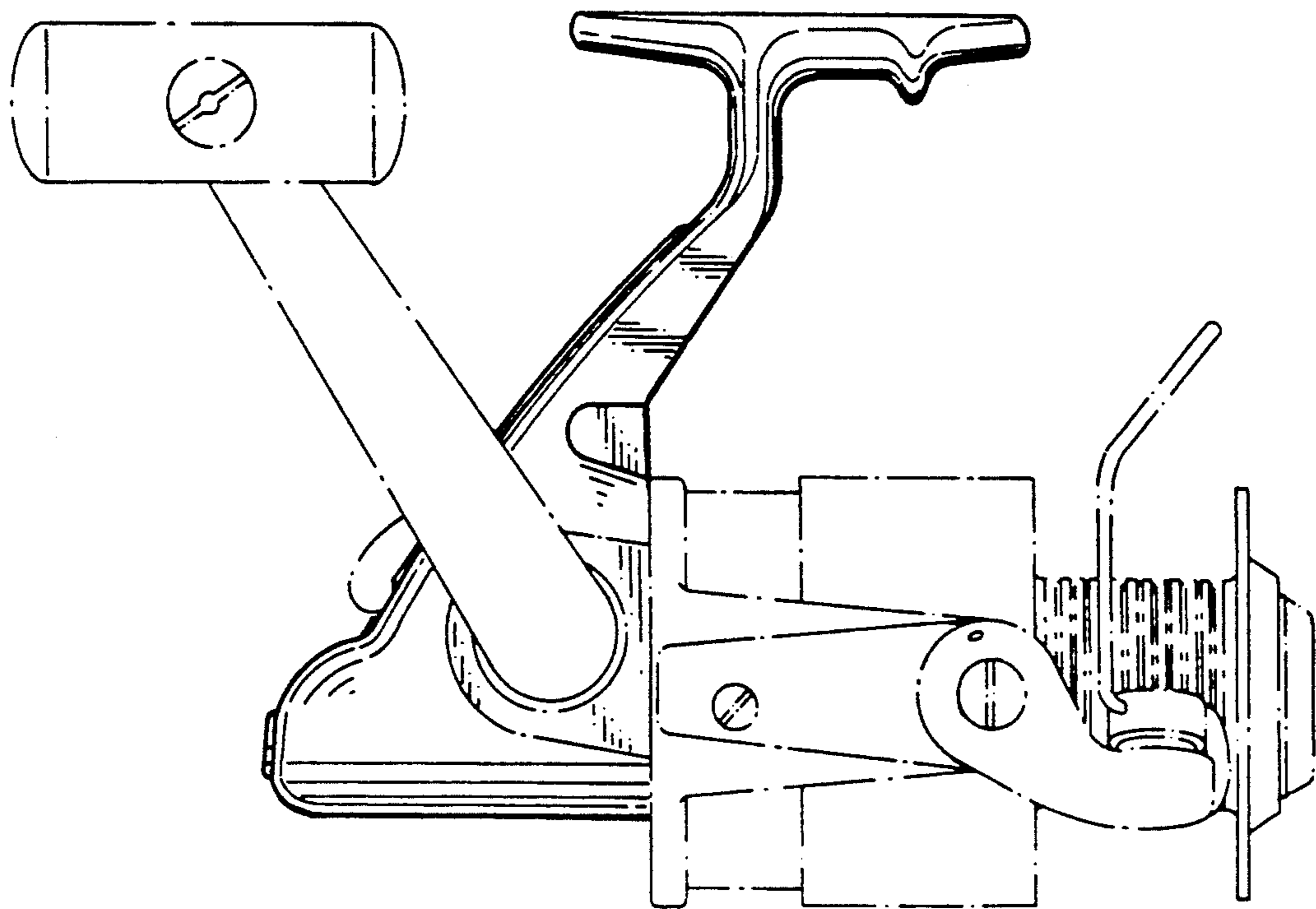


Fig. 5

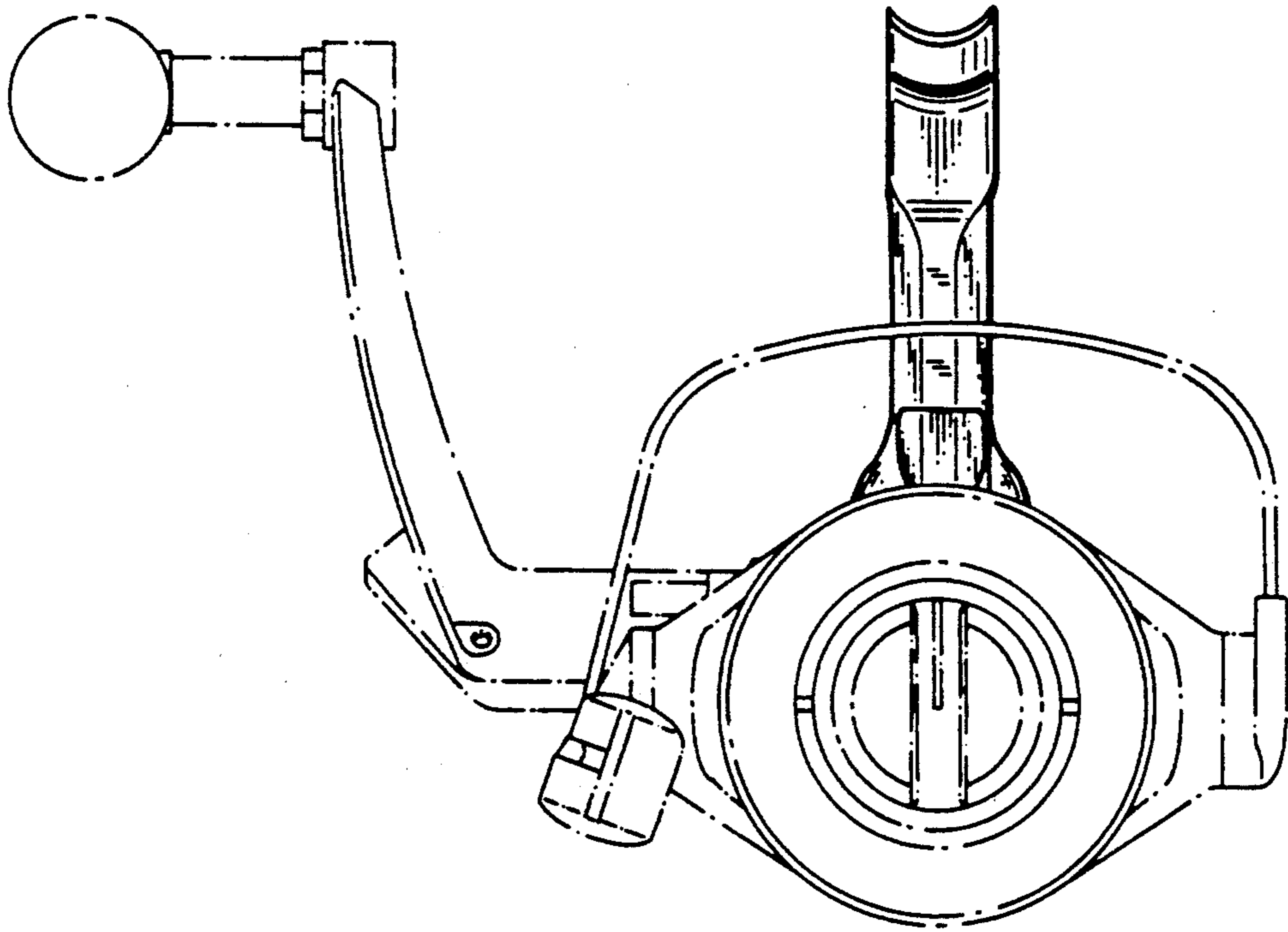


Fig. 6

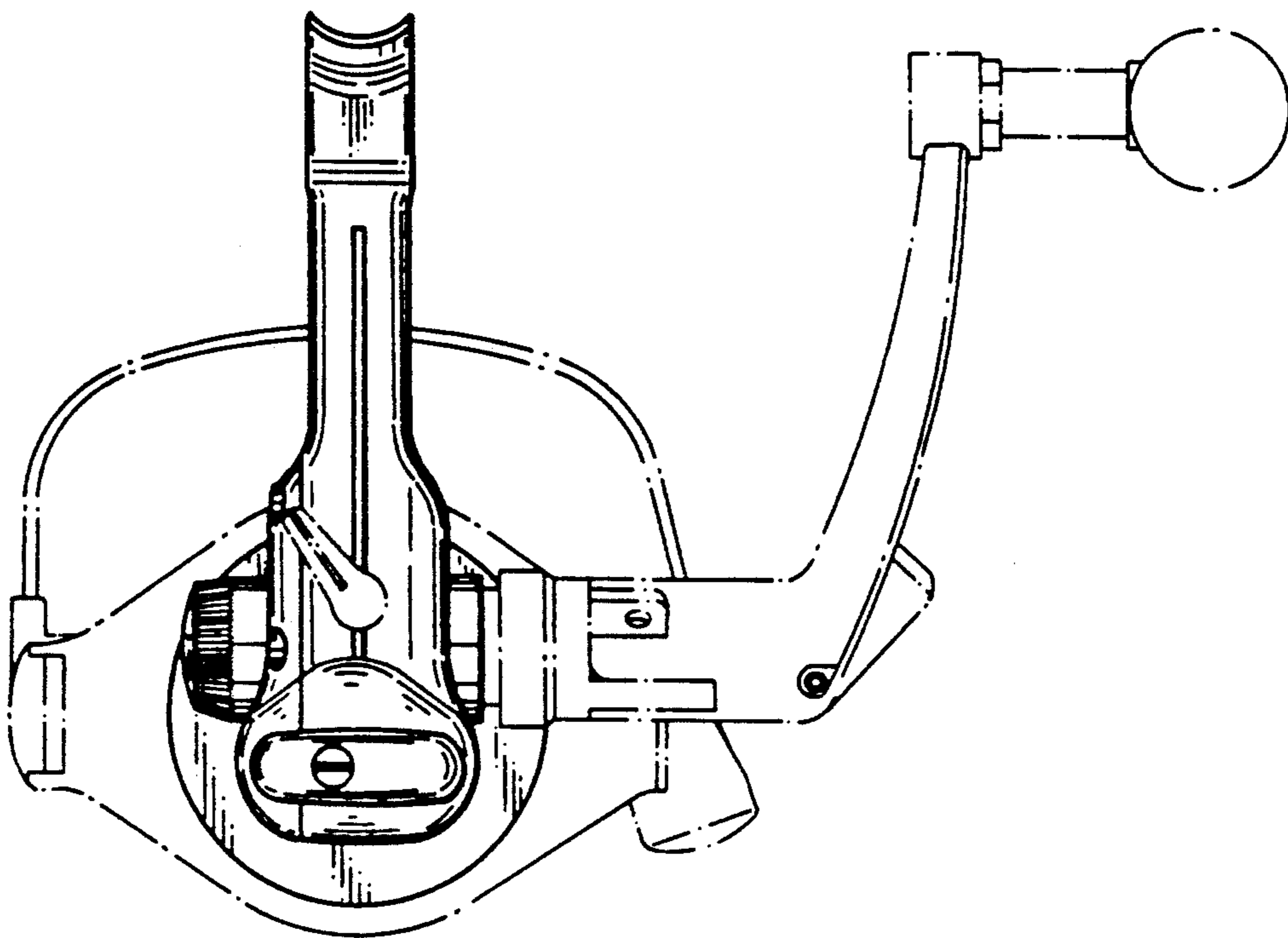


Fig. 7

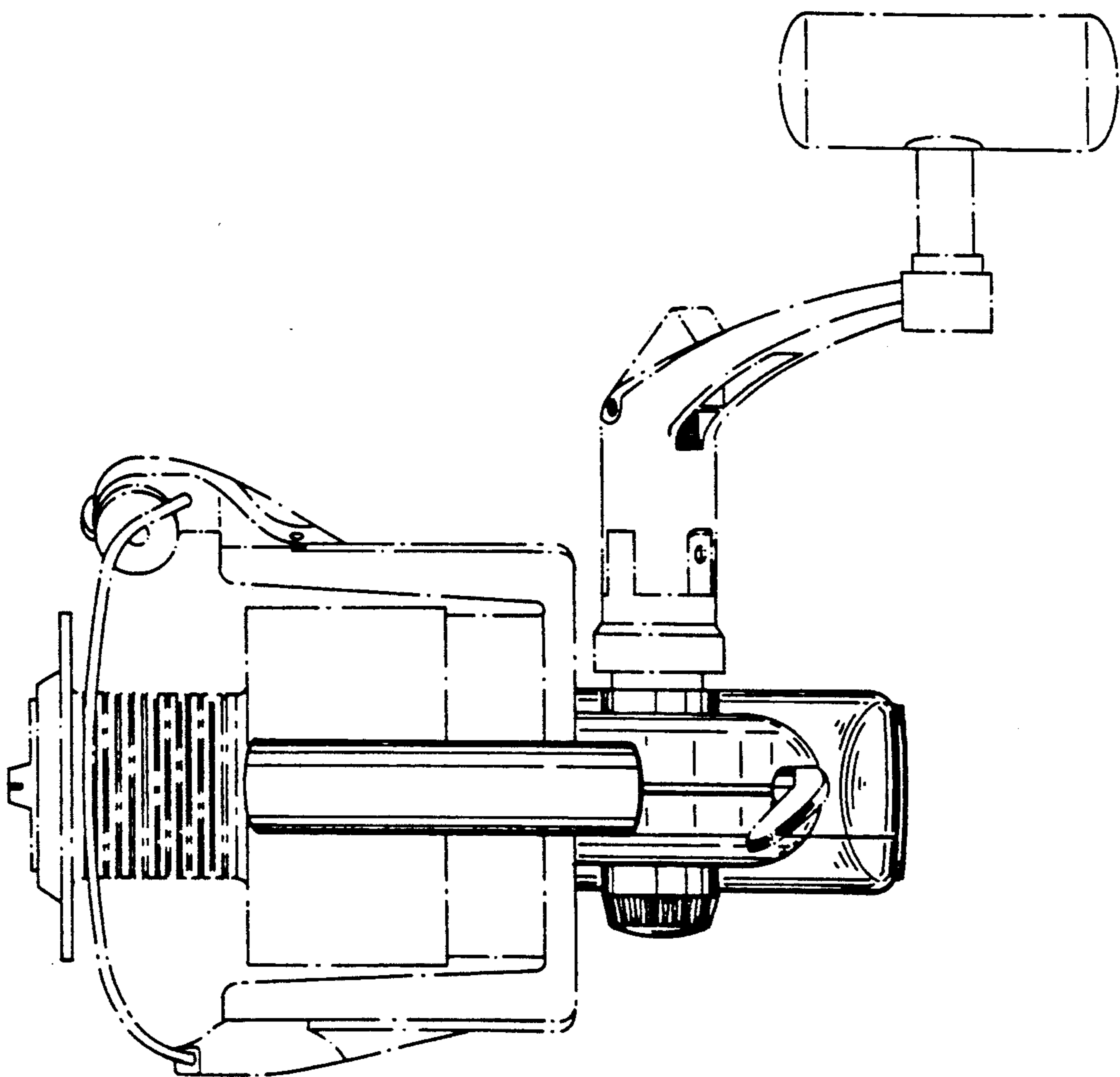


Fig. 8

