



US00D347874S

United States Patent [19]

Ghislain Schoen

[11] Patent Number: Des. 347,874

[45] Date of Patent: ** Jun. 14, 1994

[54] TOY AIRCRAFT CONTROL CABIN

[75] Inventor: Simon P. J. M. Ghislain Schoen,
Nieuw Venneep, Netherlands

[73] Assignee: Consolidated Manufacturers and
Designers B.V., Nieuw Venneep,
Netherlands

[**] Term: 14 Years

[21] Appl. No.: 921,288

[22] Filed: Jul. 29, 1992

[30] Foreign Application Priority Data

Mar. 16, 1992 [NL] Netherlands 022293

[52] U.S. Cl. D21/250; D21/59;
D21/82

[58] Field of Search 446/7; 434/29, 30;
D21/59, 82, 87, 250; D19/63

[56] References Cited

U.S. PATENT DOCUMENTS

D. 189,484 12/1960 Bamniceanu D21/87 X
D. 193,337 8/1962 Lebidine D21/250 X

D. 231,934 6/1974 Sidoti D19/63
D. 266,097 9/1982 Klawitter D19/63
D. 335,909 5/1993 Swanson et al. D19/63 X
3,120,716 2/1964 Orenstein 446/7
4,208,831 6/1980 Strauss 446/7

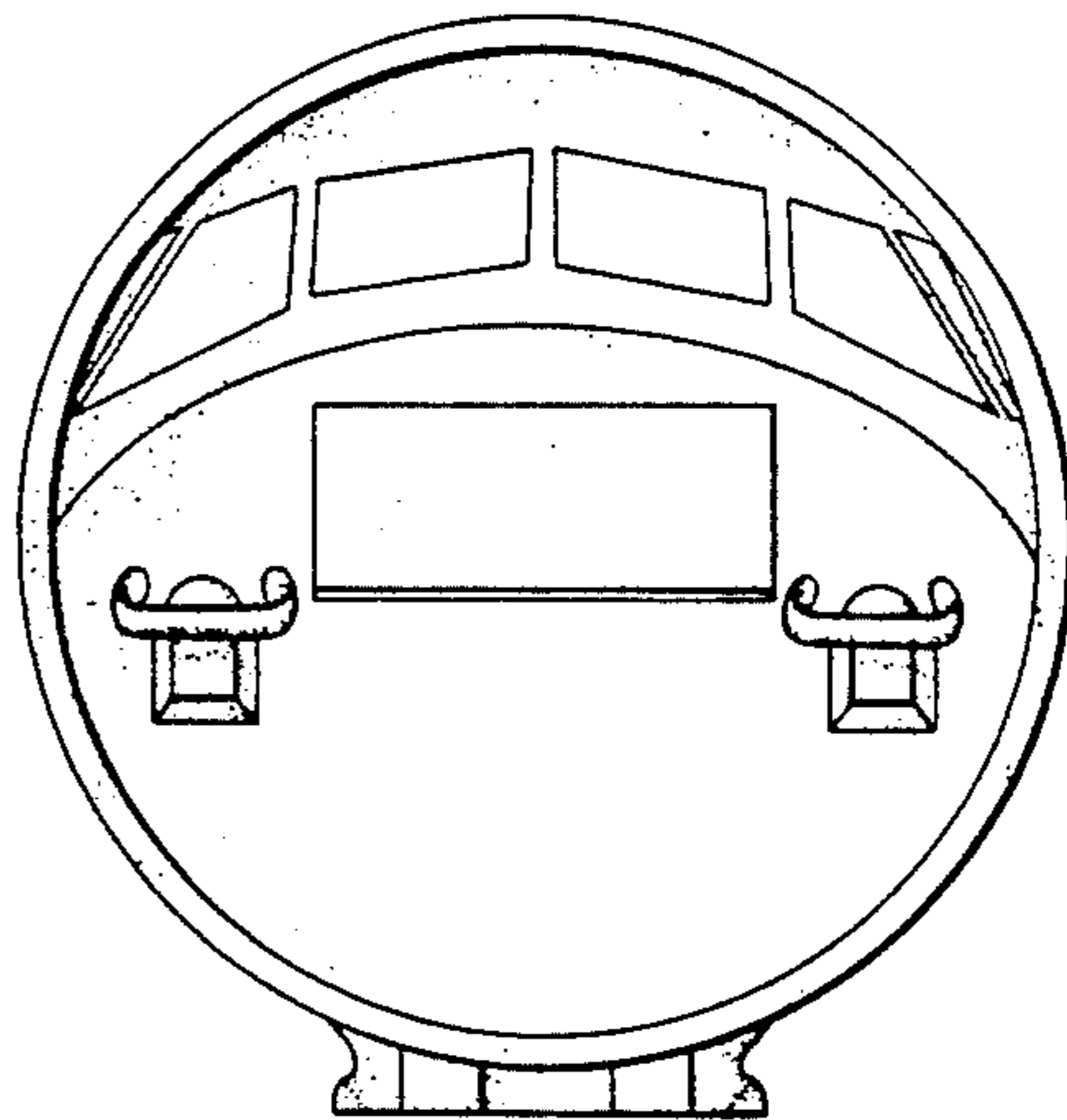
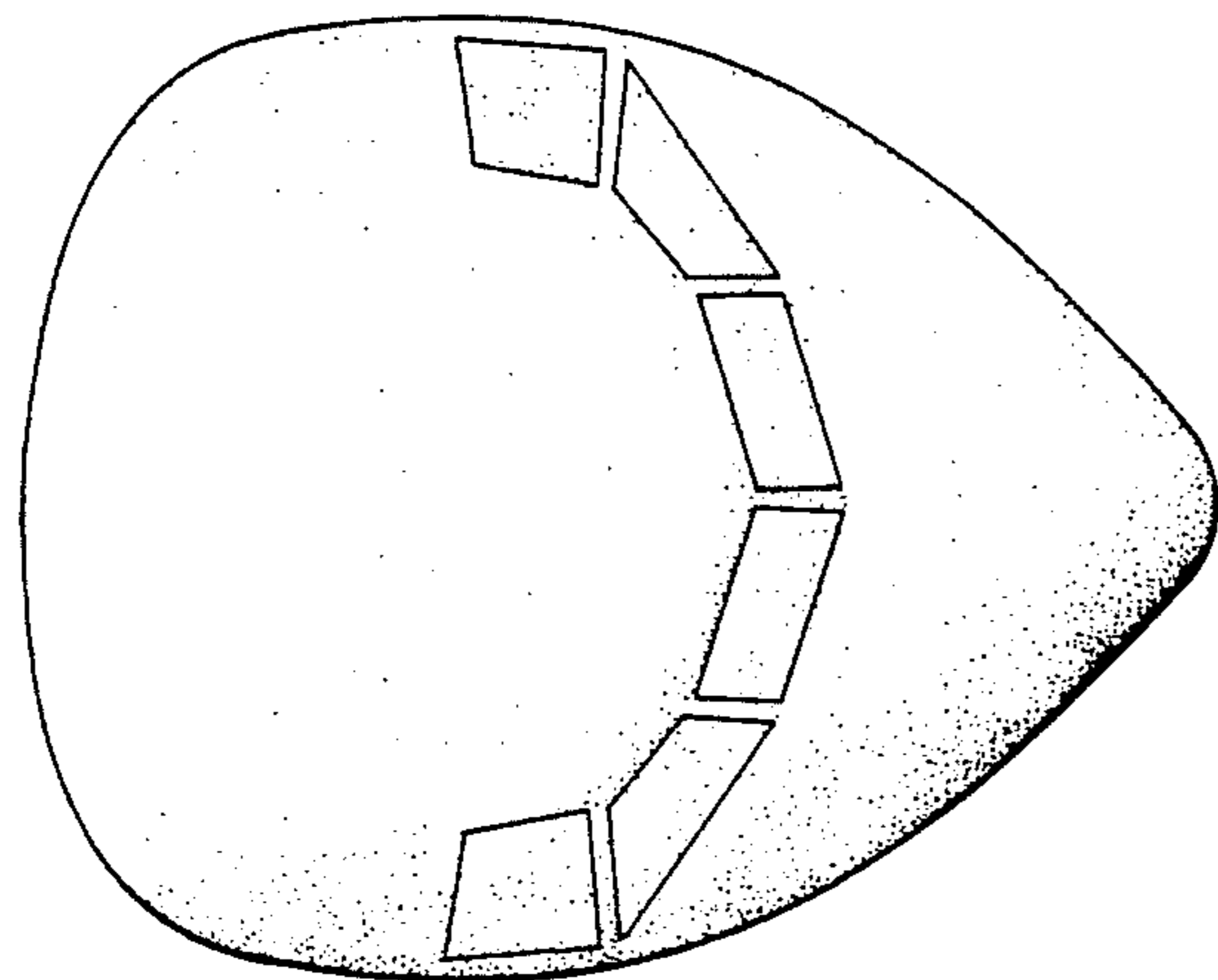
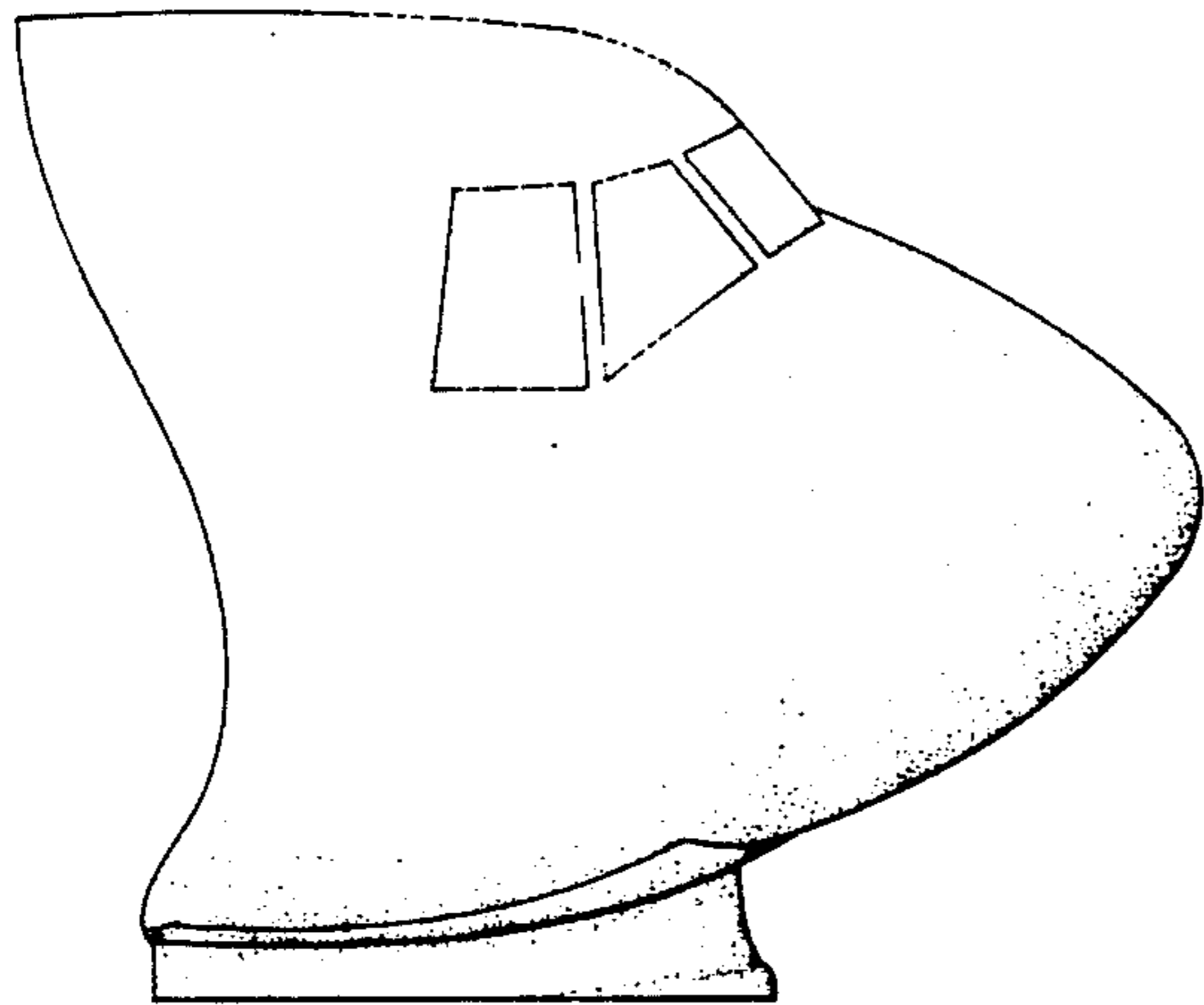
Primary Examiner—Bernard Ansher
Assistant Examiner—Dominic Simone
Attorney, Agent, or Firm—Mason, Fenwick & Lawrence

[57] CLAIM

The ornamental design for a toy aircraft control cabin,
as shown and described.

DESCRIPTION

FIG. 1 is an elevational view taken from the side of a
toy aircraft control cabin showing my new design; the
opposite side is substantially identical;
FIG. 2 is a plan view thereof;
FIG. 3 is a bottom view thereof;
FIG. 4 is a front view thereof;
FIG. 5 is a rear view thereof; and,
FIG. 6 is an additional rear view thereof.
The broken line showing of the placement of gauges,
controls, and indicators is for illustrative purposes only
and forms no part of the claimed design.



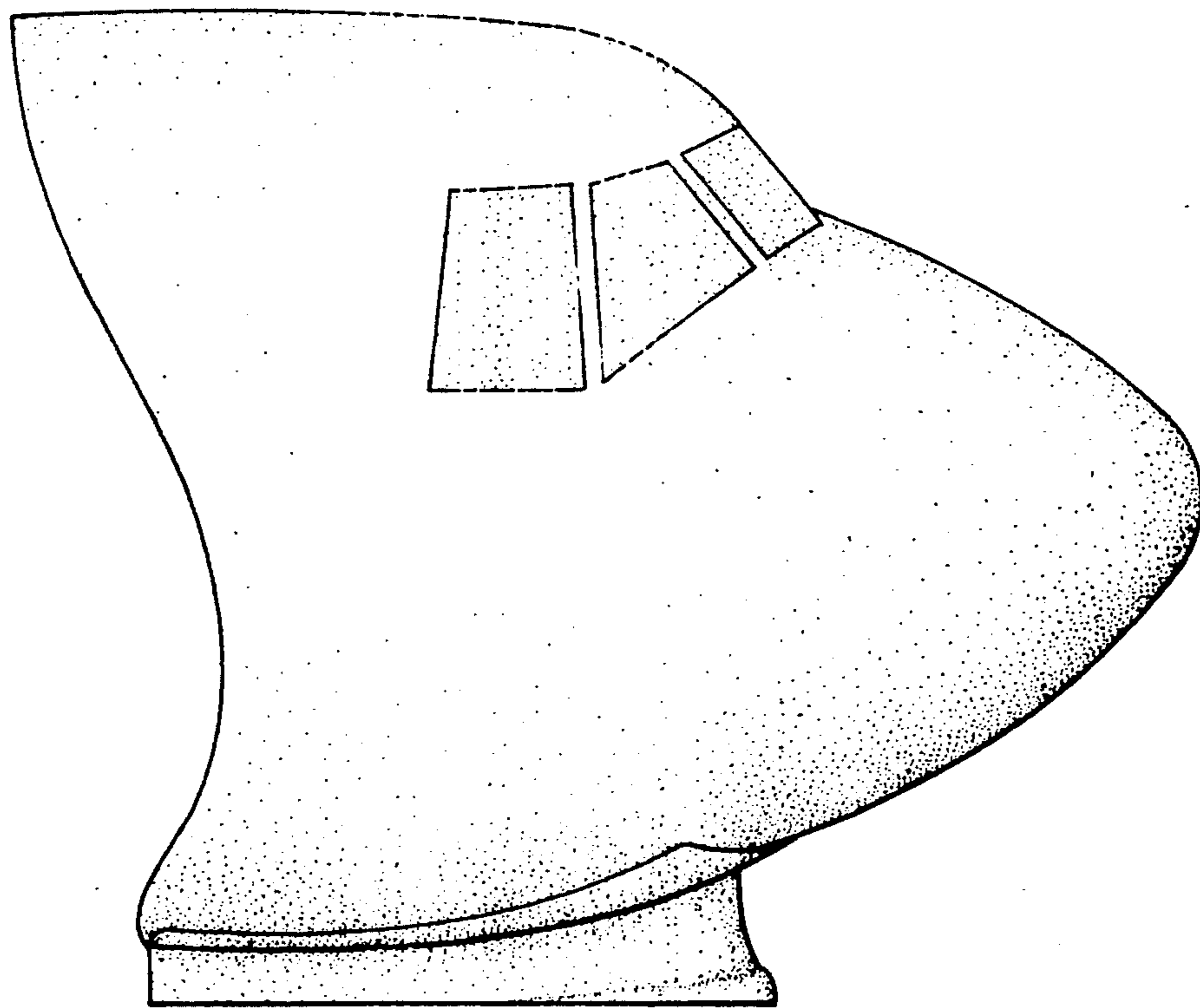


FIG. 1

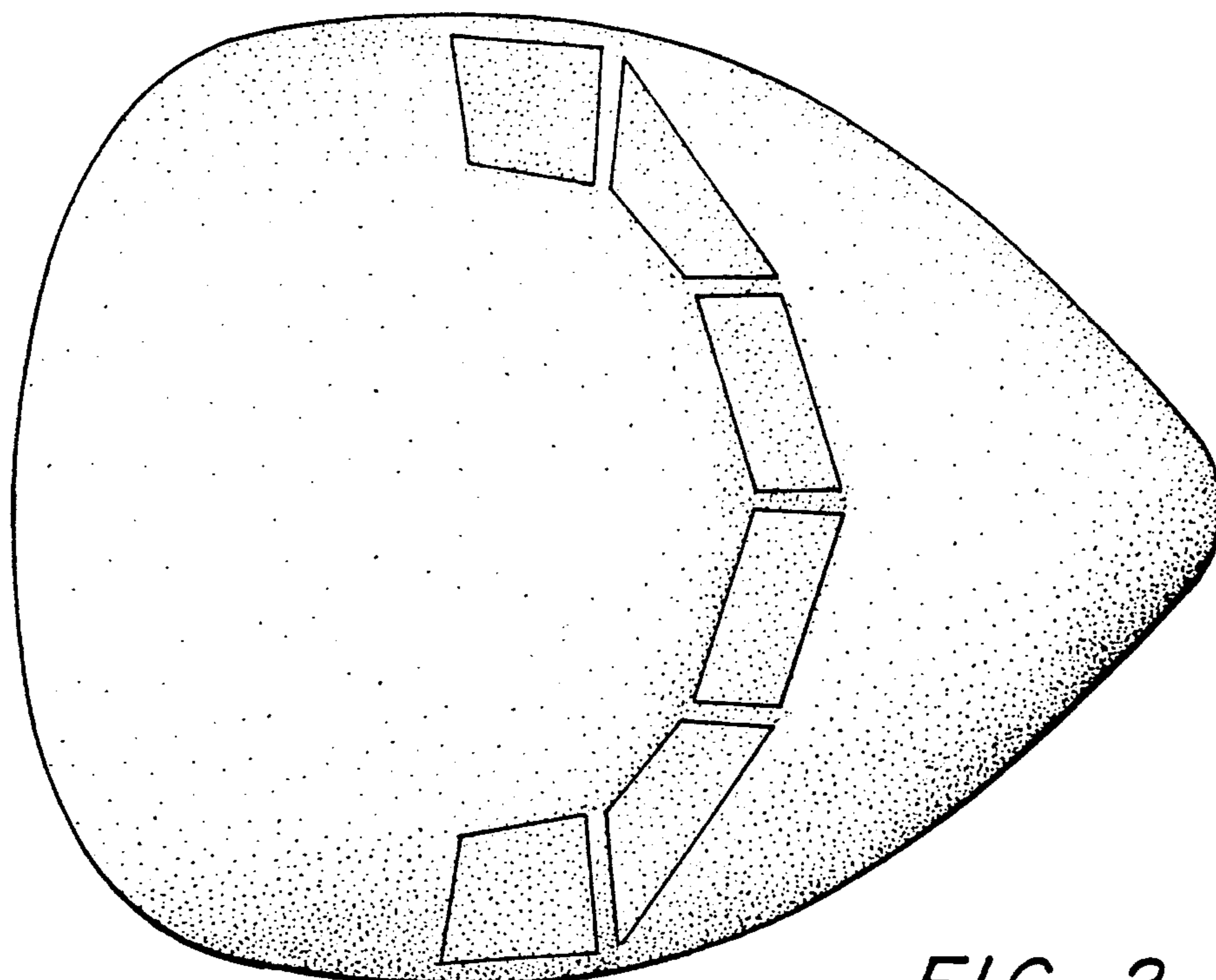


FIG. 2

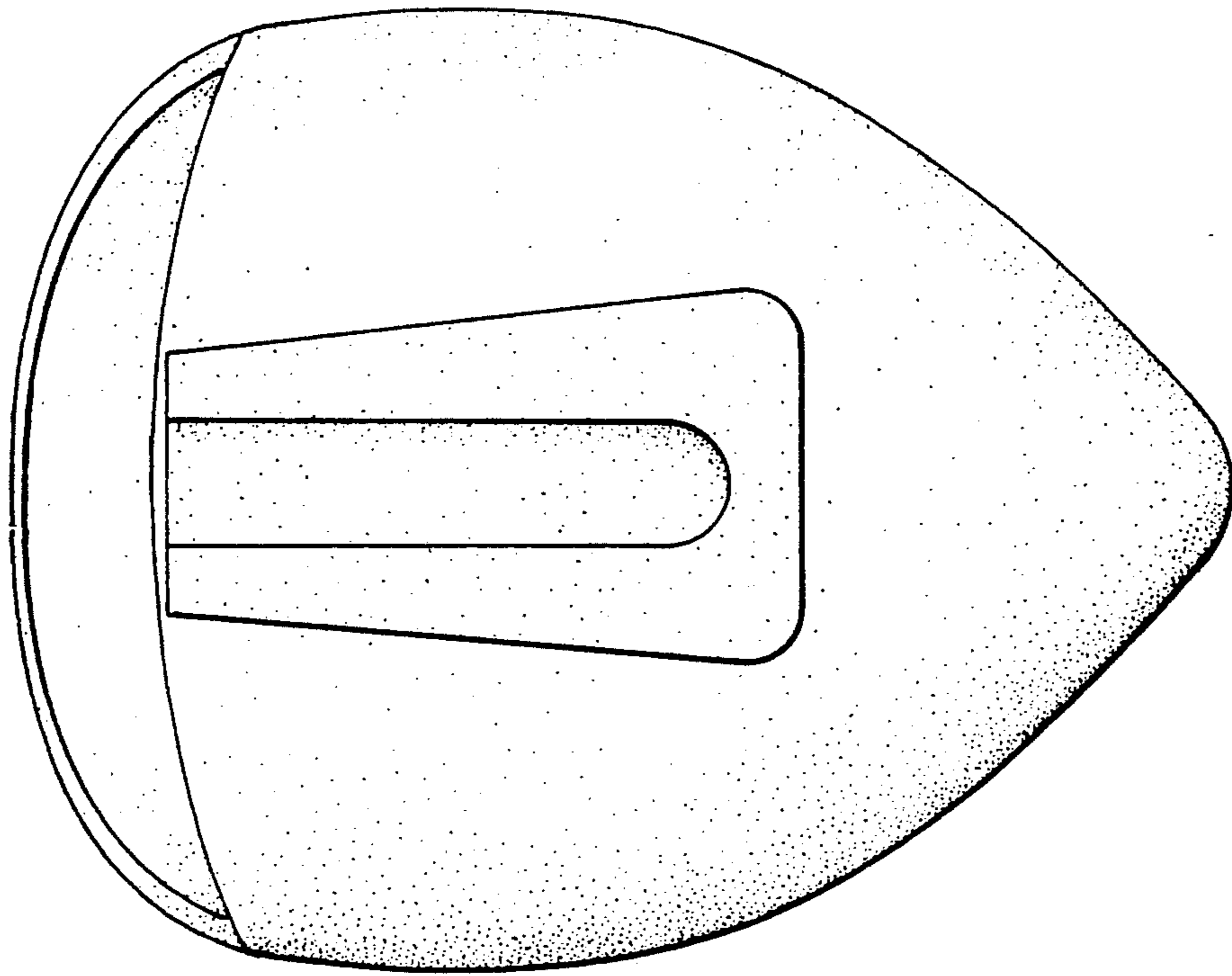


FIG. 3

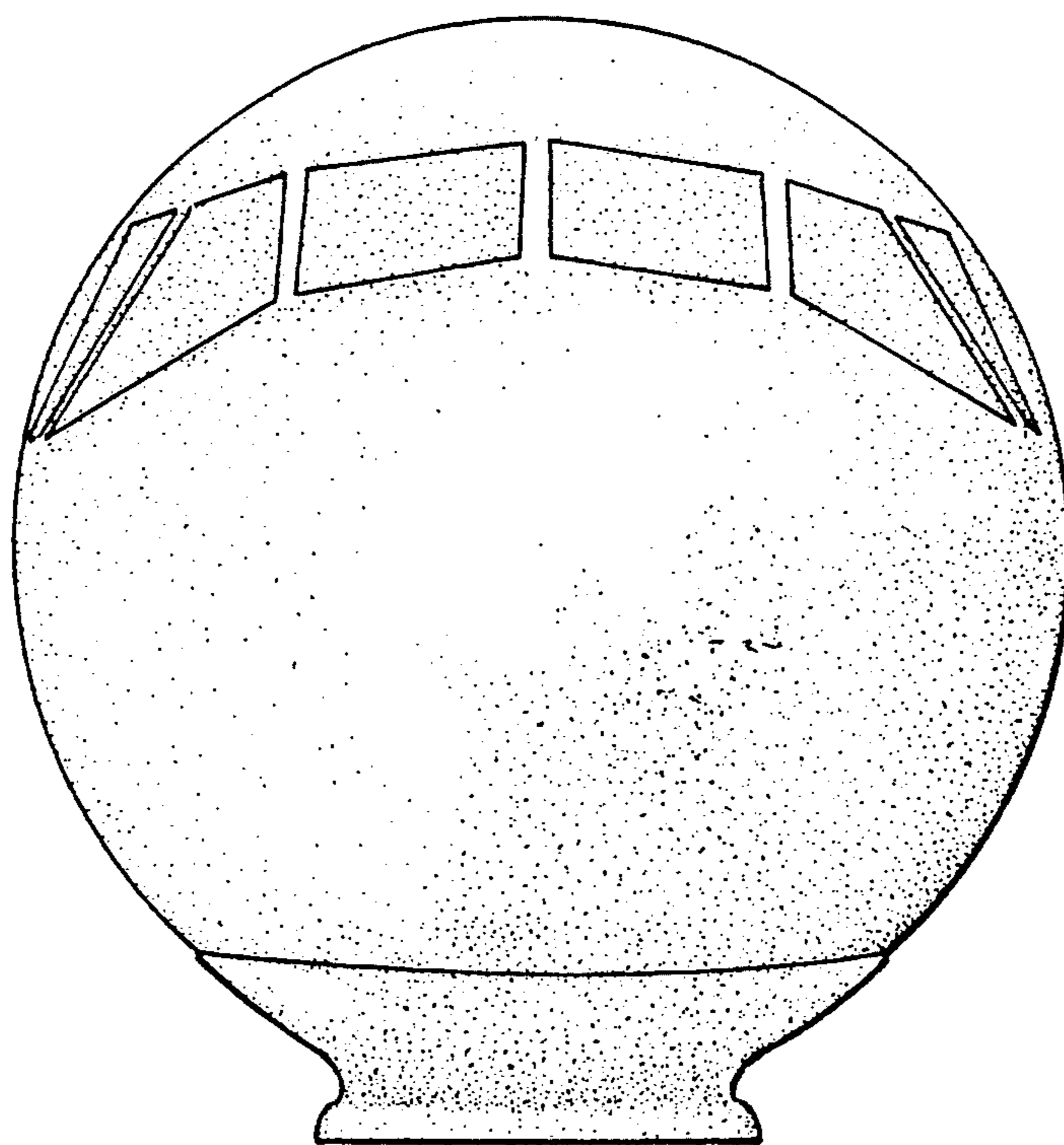


FIG. 4

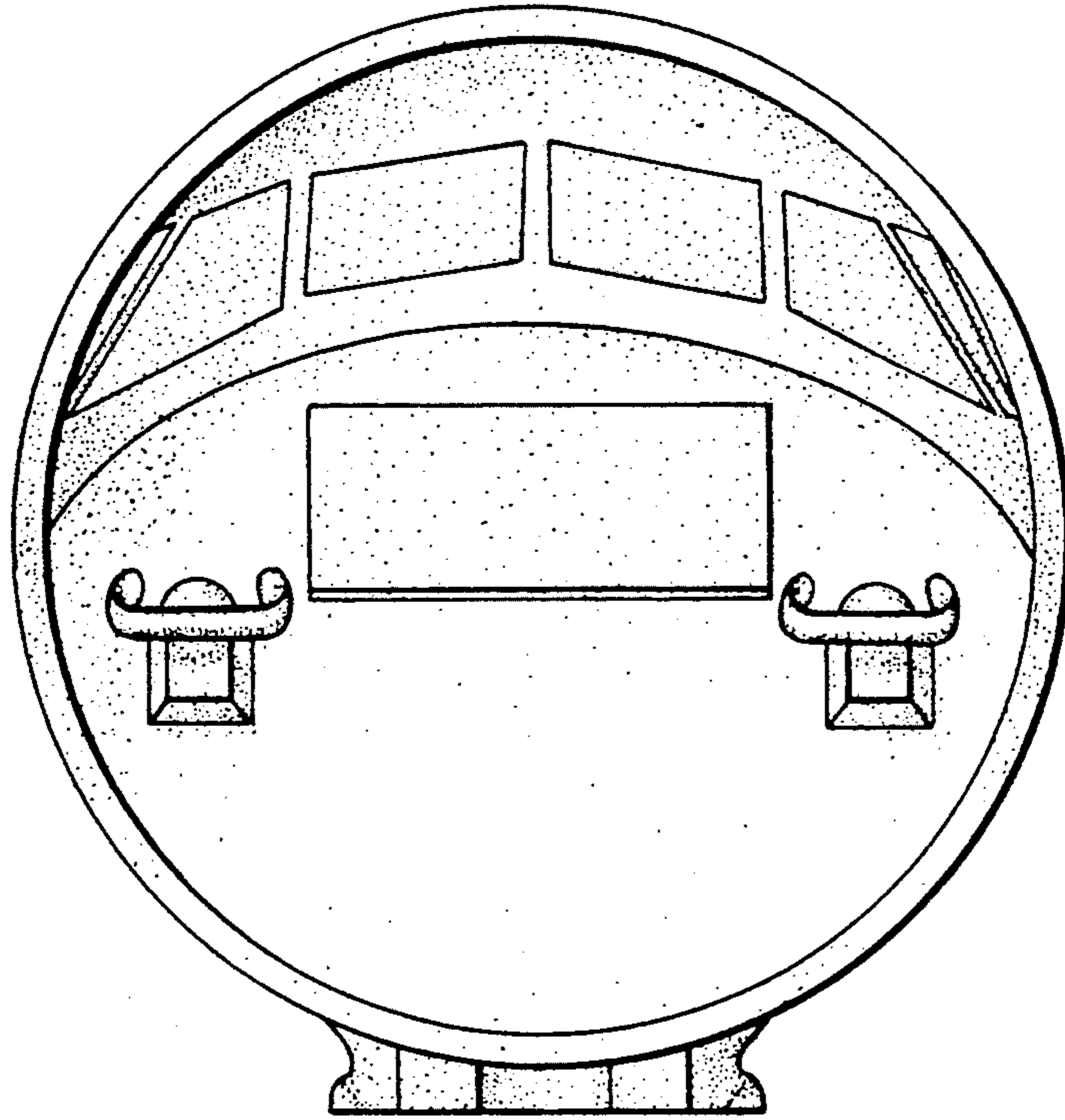


FIG. 5

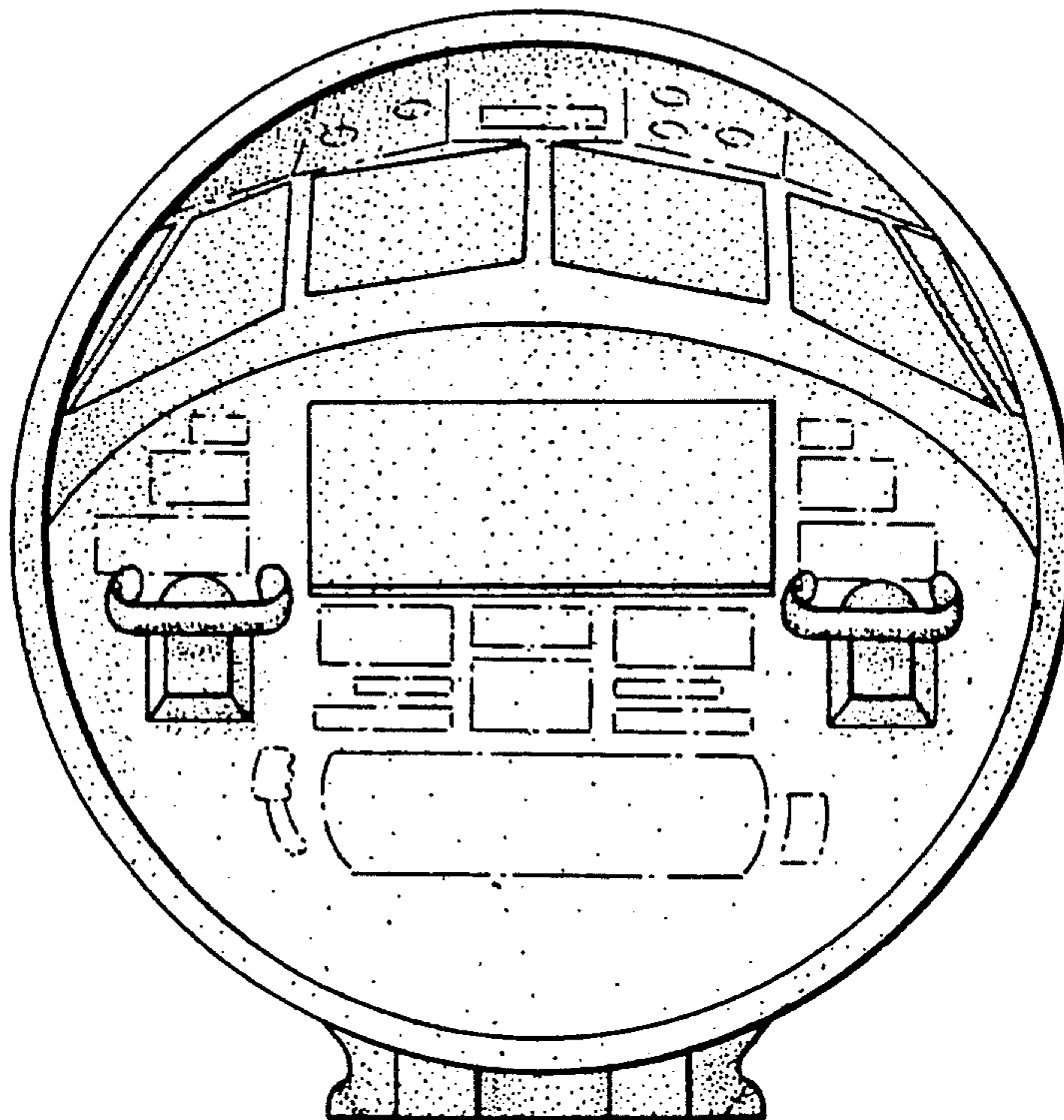


FIG. 6