



US00D347873S

United States Patent [19]

[11] Patent Number: **Des. 347,873**

Lohn

[45] Date of Patent: **** Jun. 14, 1994**

[54] **SCUBA TANK FLOATATION DEVICE**

[76] Inventor: **Kenneth J. Lohn, 500 Bay Dr., S., Bradenton Beach, Fla. 34217**

[**] Term: **14 Years**

[21] Appl. No.: **3,790**

[22] Filed: **Jan. 15, 1993**

[52] U.S. Cl. **D21/237; D21/228**

[58] Field of Search **441/74, 65, 79; D21/228, 236, 237**

[56] **References Cited**

U.S. PATENT DOCUMENTS

D. 276,359	11/1984	Churchill	D21/228
4,028,761	6/1977	Taylor	441/65
5,257,953	11/1993	Gillis	441/74

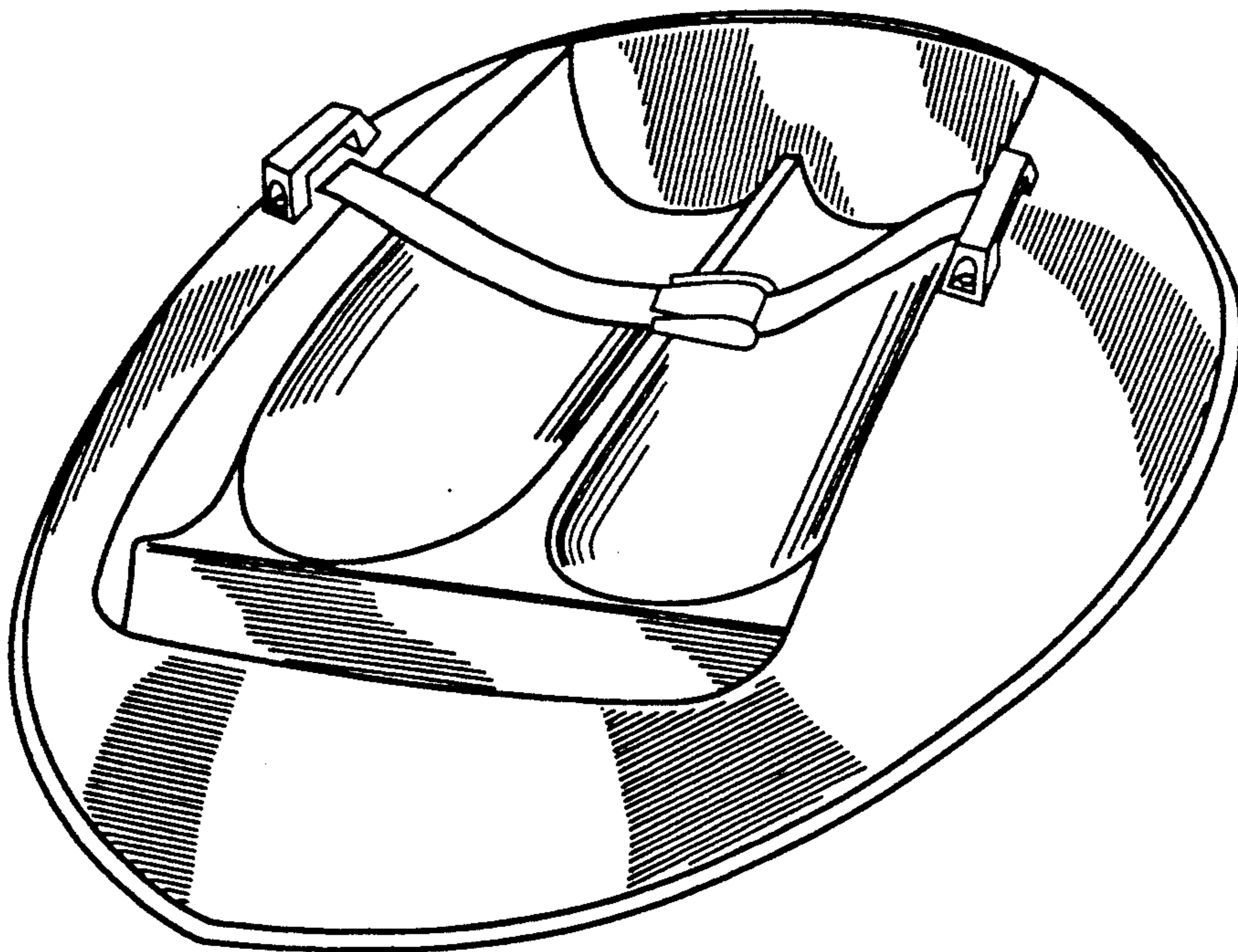
Primary Examiner—Kay H. Chin
Attorney, Agent, or Firm—Charles J. Prescott

[57] **CLAIM**

The ornamental design for a scuba tank floatation device, as shown and described.

DESCRIPTION

FIG. 1 is a perspective view of a scuba tank floatation device showing my new design; FIG. 2 is a front elevation view, the rear elevation view being identical thereto; FIG. 3 is a left side elevation view thereof, the right side elevation view being identical thereto; FIG. 4 is a top plan view thereof; FIG. 5 is a bottom plan view thereof; and, FIG. 6 is a section view in the direction of arrows 6—6 in FIG. 4.



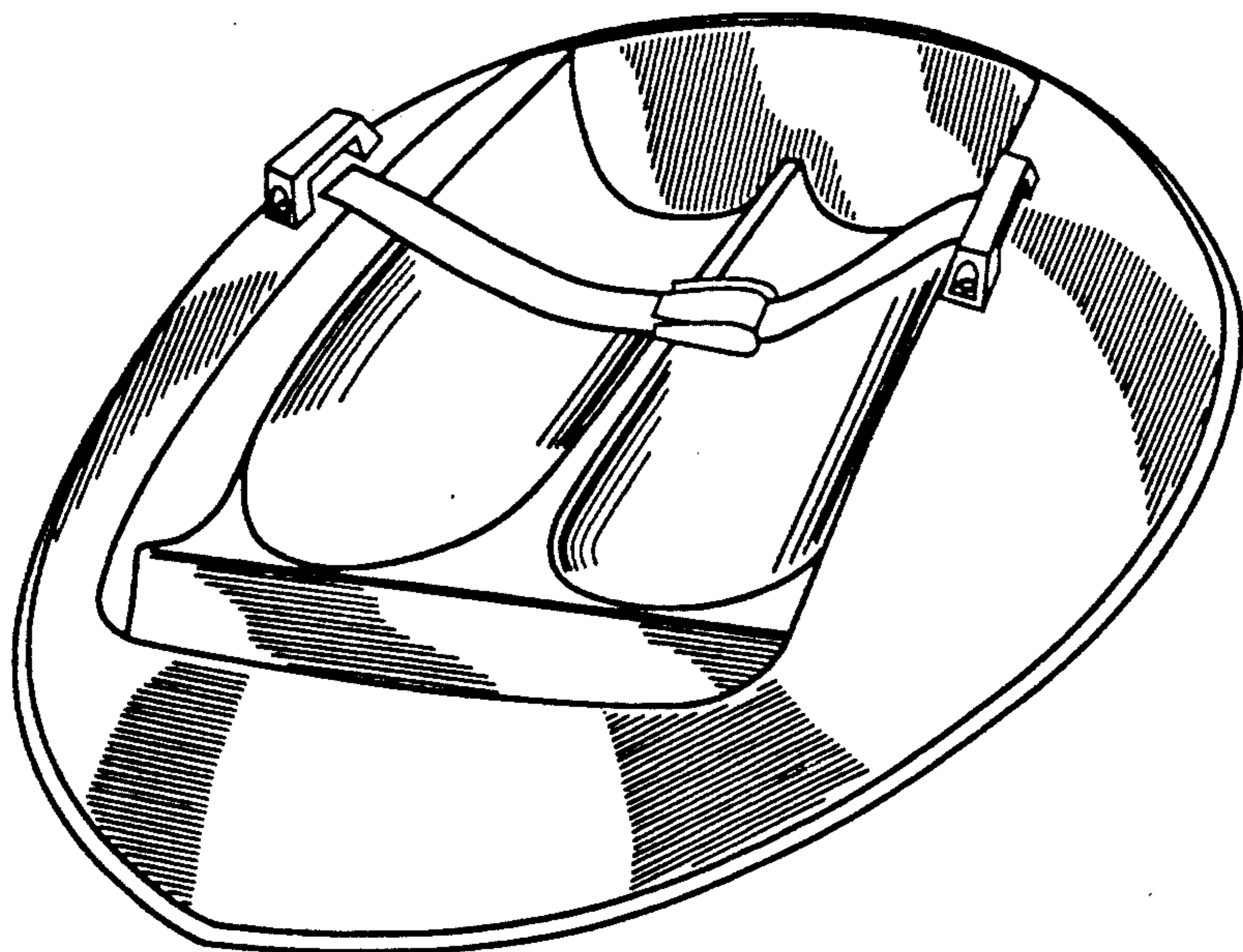


Fig. 1

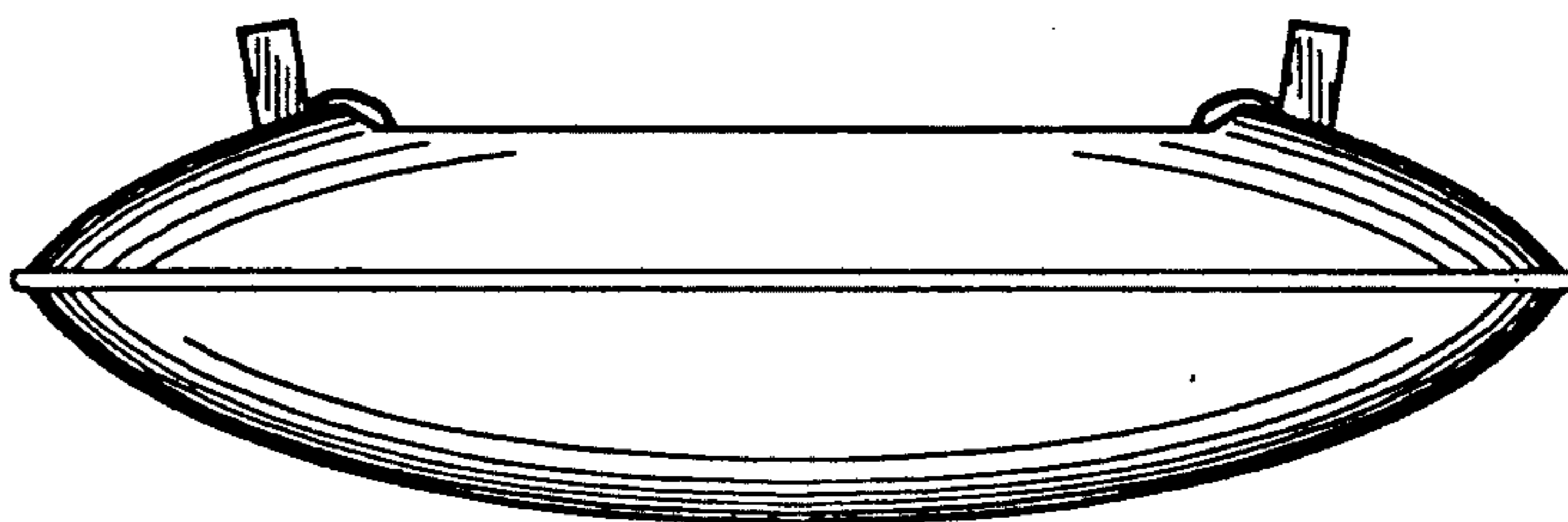


Fig. 2

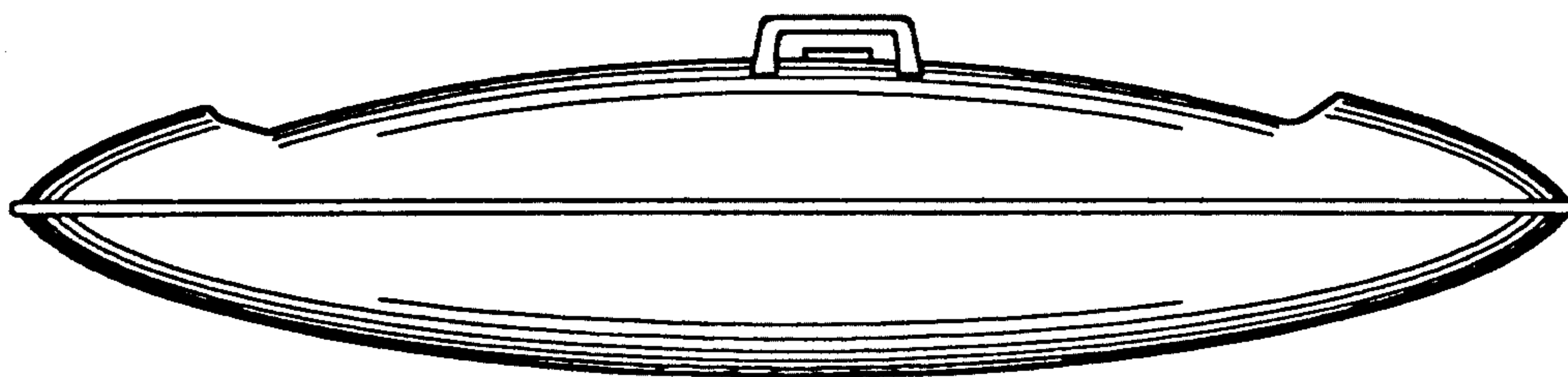


Fig. 3

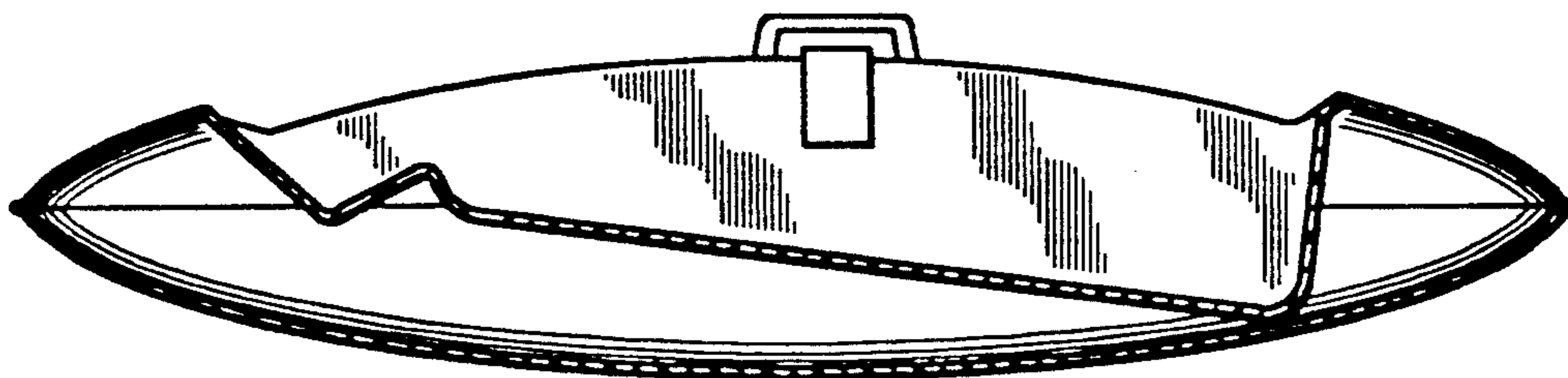


Fig. 6

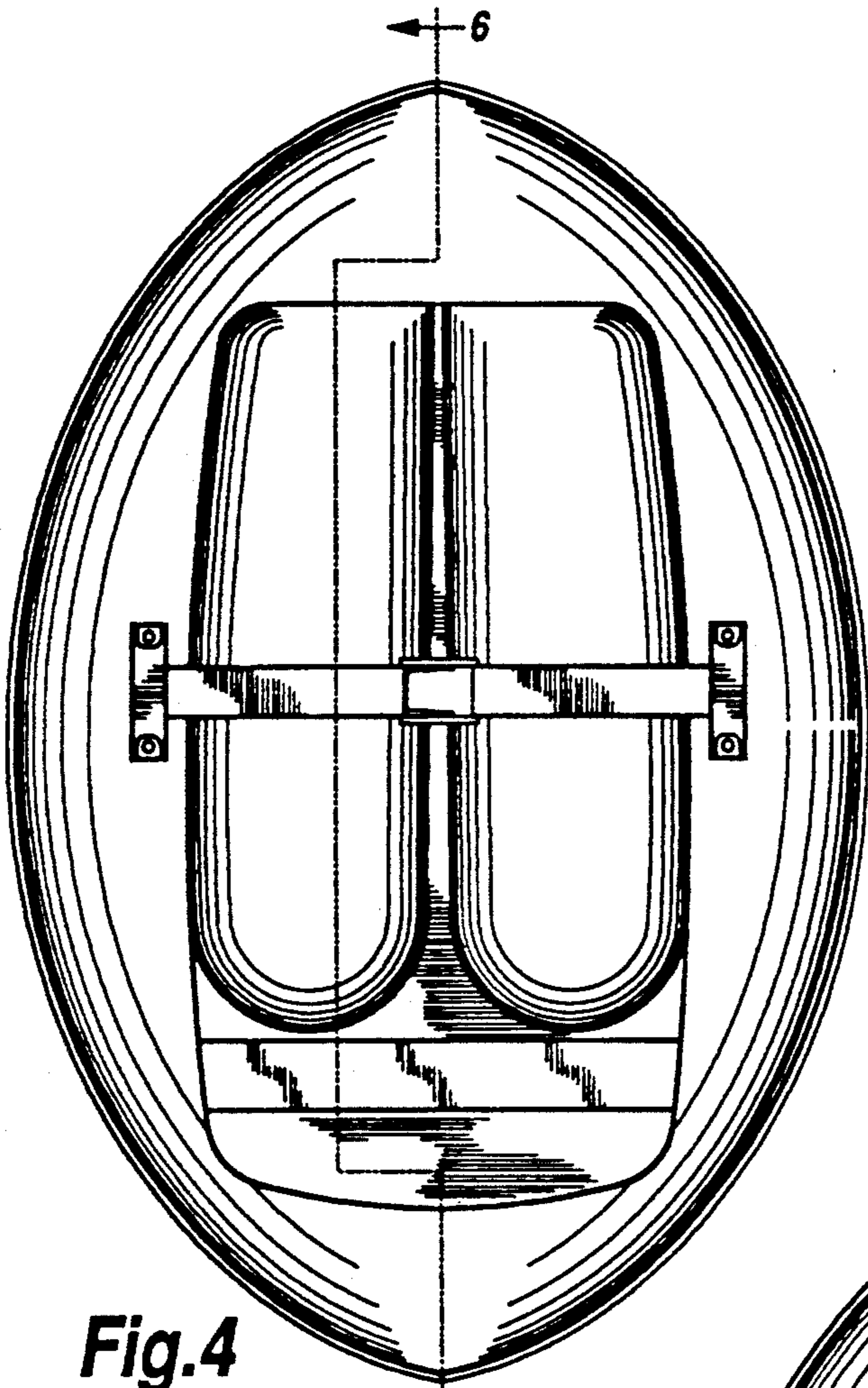


Fig.4

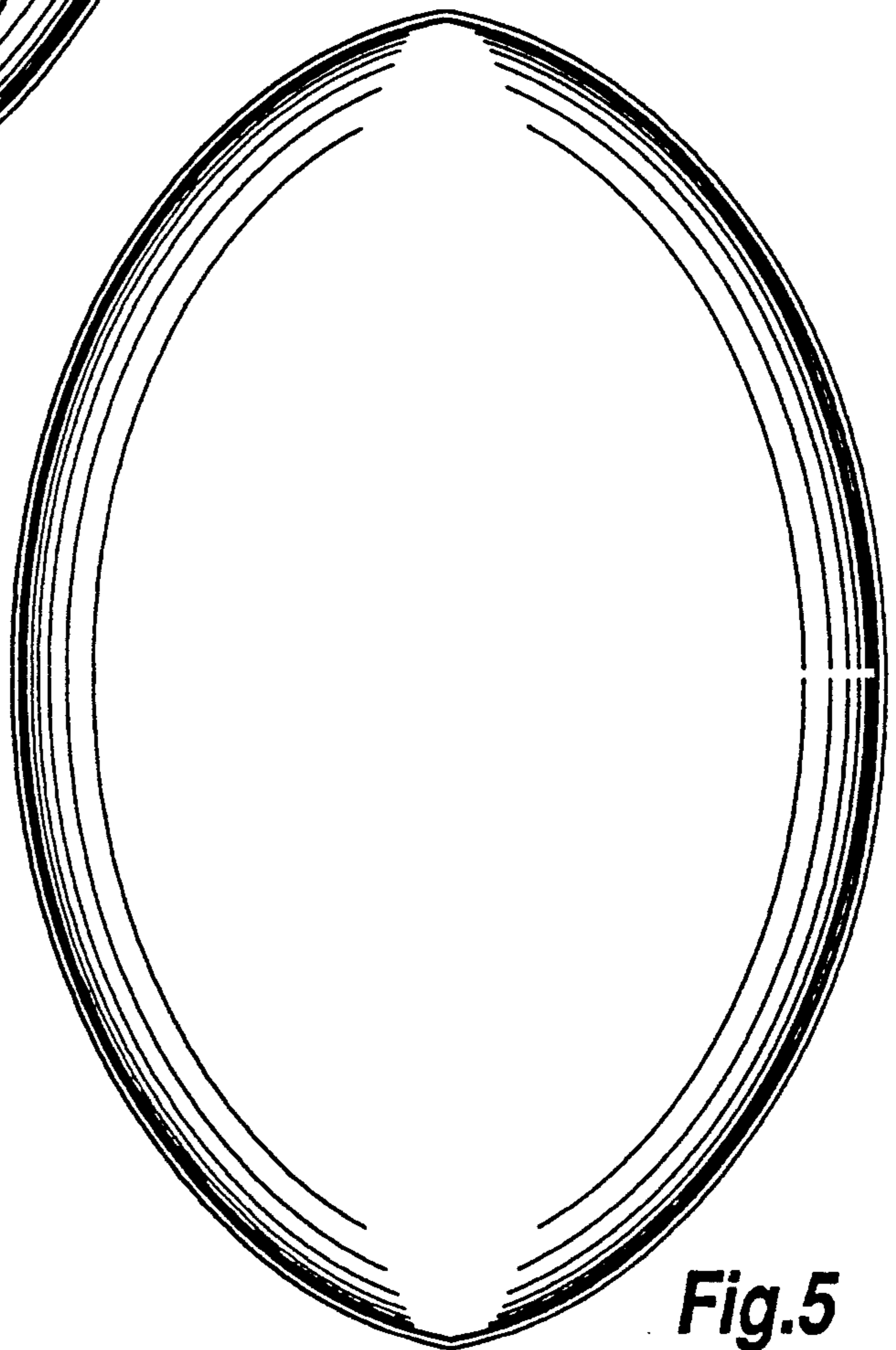


Fig.5