



US00D347872S

United States Patent [19]

[11] Patent Number: Des. 347,872

Lyman

[45] Date of Patent: ** Jun. 14, 1994

[54] GOLF TOOL FOR CLEANING CLUB FACE GROOVES, TIGHTENING SPIKES AND REPAIRING DIVOTS

[76] Inventor: Garrett M. Lyman, 8755 Snow Mountain Cir., Sandy, Utah 84093

[**] Term: 14 Years

[21] Appl. No.: 870,252

[22] Filed: Apr. 14, 1992

[52] U.S. Cl. D21/234; D4/118; D32/47

[58] Field of Search 15/105, 112, 113; 273/32 B; D4/116, 118, 136; D21/234; D32/47

[56] **References Cited**

U.S. PATENT DOCUMENTS

D. 185,205	5/1959	Huber	D4/118
D. 191,299	9/1961	Behan	D21/234
D. 197,342	1/1964	Doble	D21/234
D. 293,164	12/1987	Shearer	D4/118
D. 340,755	10/1993	Shearer	D21/234
5,121,519	6/1992	Haugom	15/105

FOREIGN PATENT DOCUMENTS

2247179 2/1992 United Kingdom 273/32 B

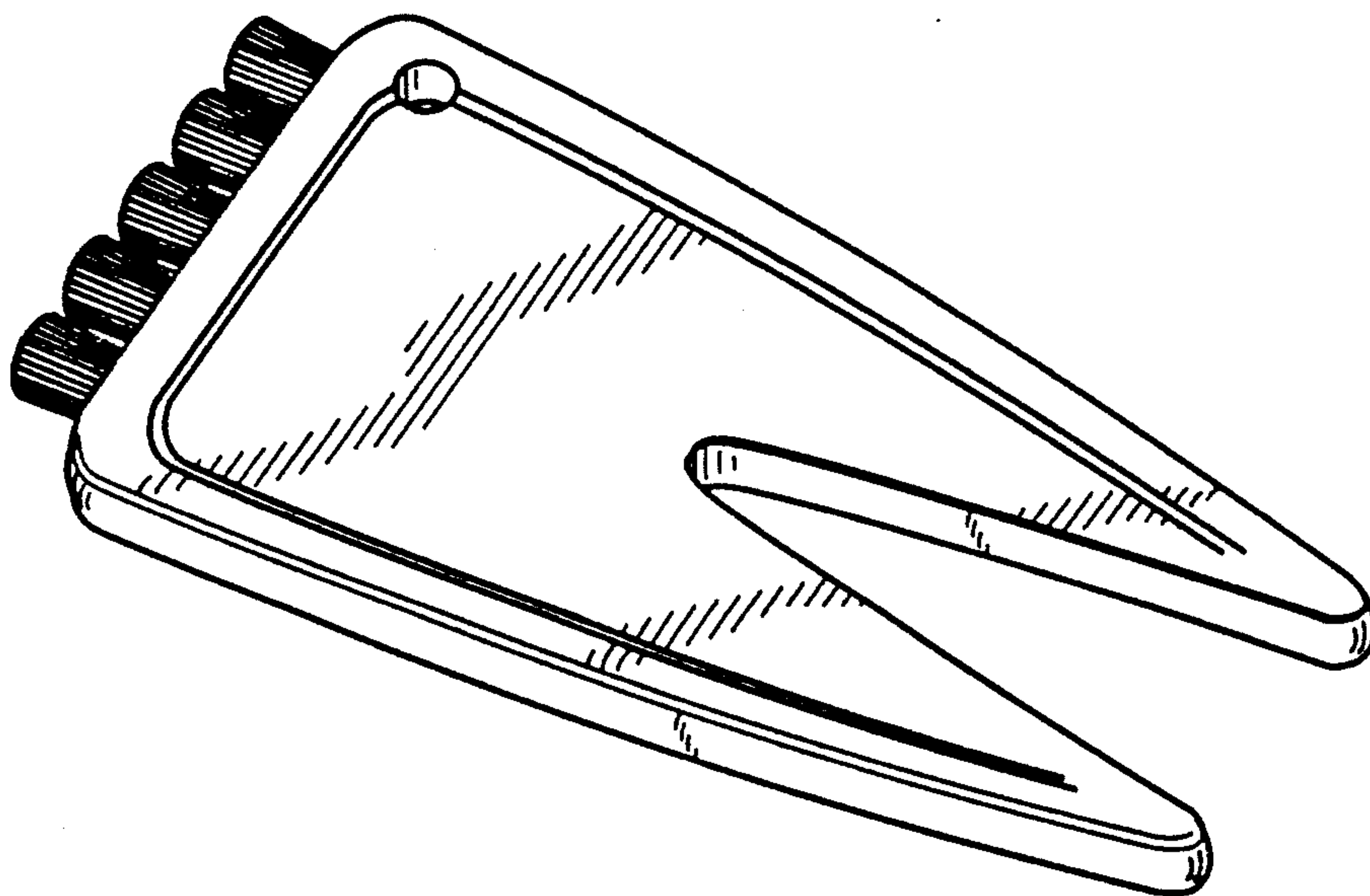
Primary Examiner—B. J. Bullock
Attorney, Agent, or Firm—Thorpe, North & Western

[57] **CLAIM**

The ornamental design for a golf tool for cleaning club face grooves, tightening spikes and repairing divots, as shown and described.

DESCRIPTION

FIG. 1 is a front, left perspective view of a golf tool for cleaning club face grooves, tightening spikes and repairing divots showing my new design; FIG. 2 is a front elevation of FIG. 1, the rear being a mirror image thereof; FIG. 3 is a side elevation taken from the right of FIG. 1; FIG. 4 shows an end view taken along the right side of FIG. 3; and, FIG. 5 shows an end view taken along the left side of FIG. 3.



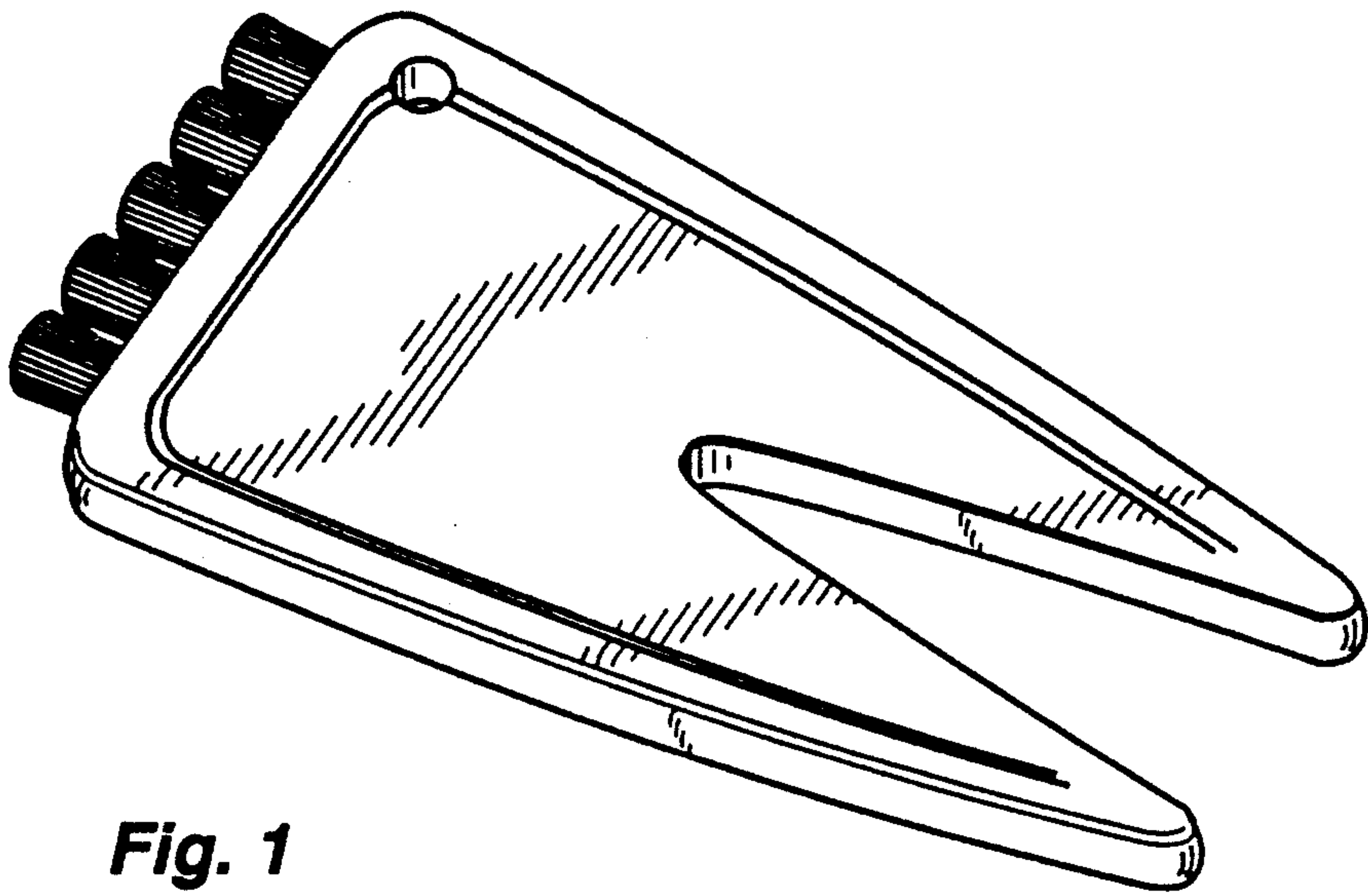


Fig. 1

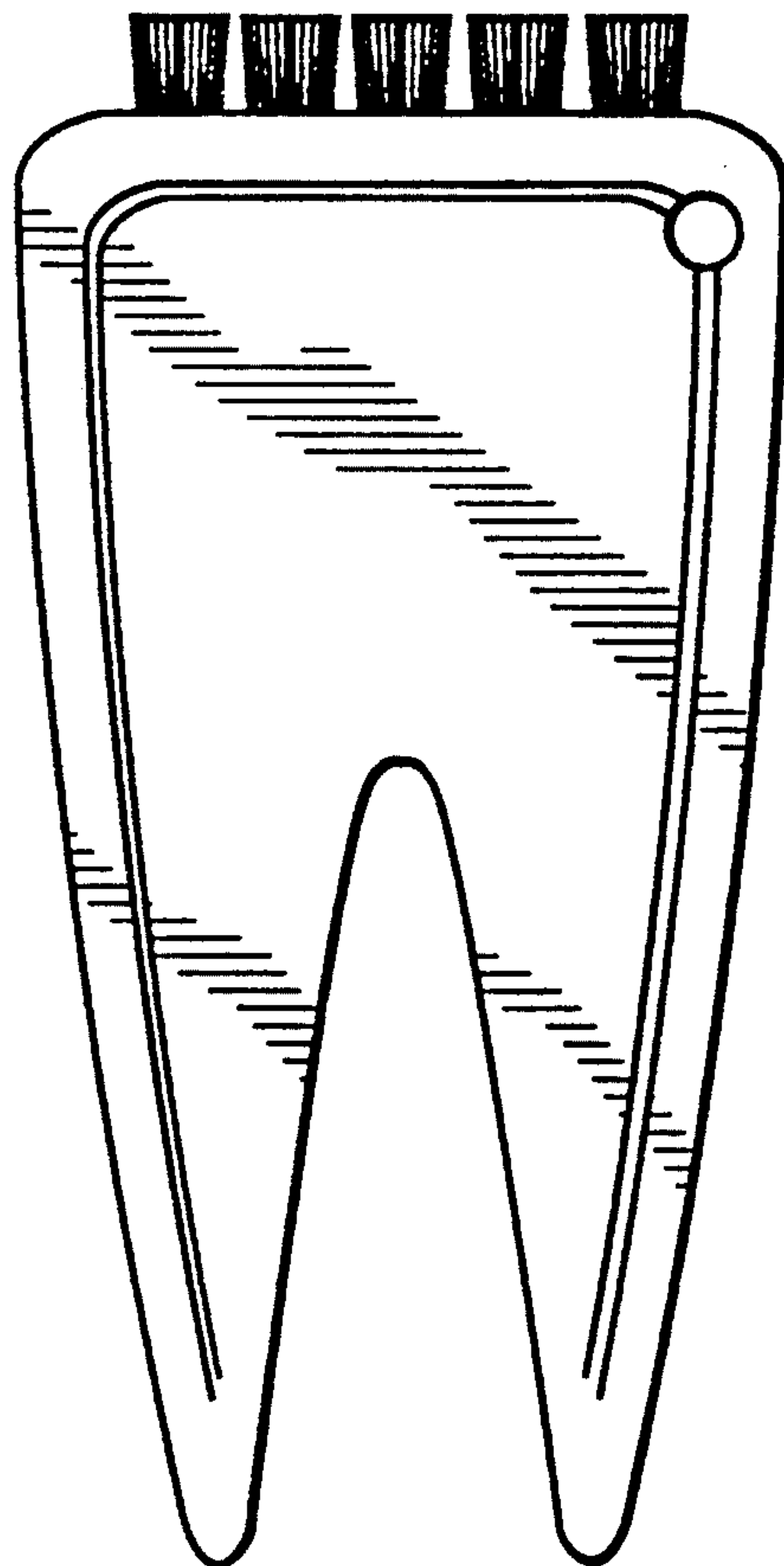


Fig. 2

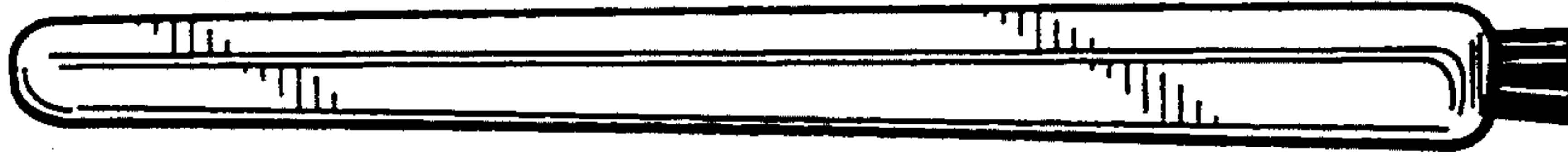


Fig. 3



Fig. 4



Fig. 5