



US00D347871S

United States Patent [19]

[11] Patent Number: **Des. 347,871**

Upton

[45] Date of Patent: **** Jun. 14, 1994**

[54] **DETACHABLE GOLF BALL RETRIEVER**

3,442,544 5/1969 Faber 294/19.2
5,137,315 8/1992 Bontempo 294/19.2

[76] Inventor: **Garthop Upton, P.O. Box 206,
Arroyo Grande, Calif. 93420**

Primary Examiner—Melvin B. Feifer
Attorney, Agent, or Firm—John H. Crowe

[**] Term: **14 Years**

[57] **CLAIM**

[21] Appl. No.: **864,917**

The ornamental design for a detachable golf ball retriever, as shown and described.

[22] Filed: **Apr. 3, 1992**

[52] U.S. Cl. **D21/206**

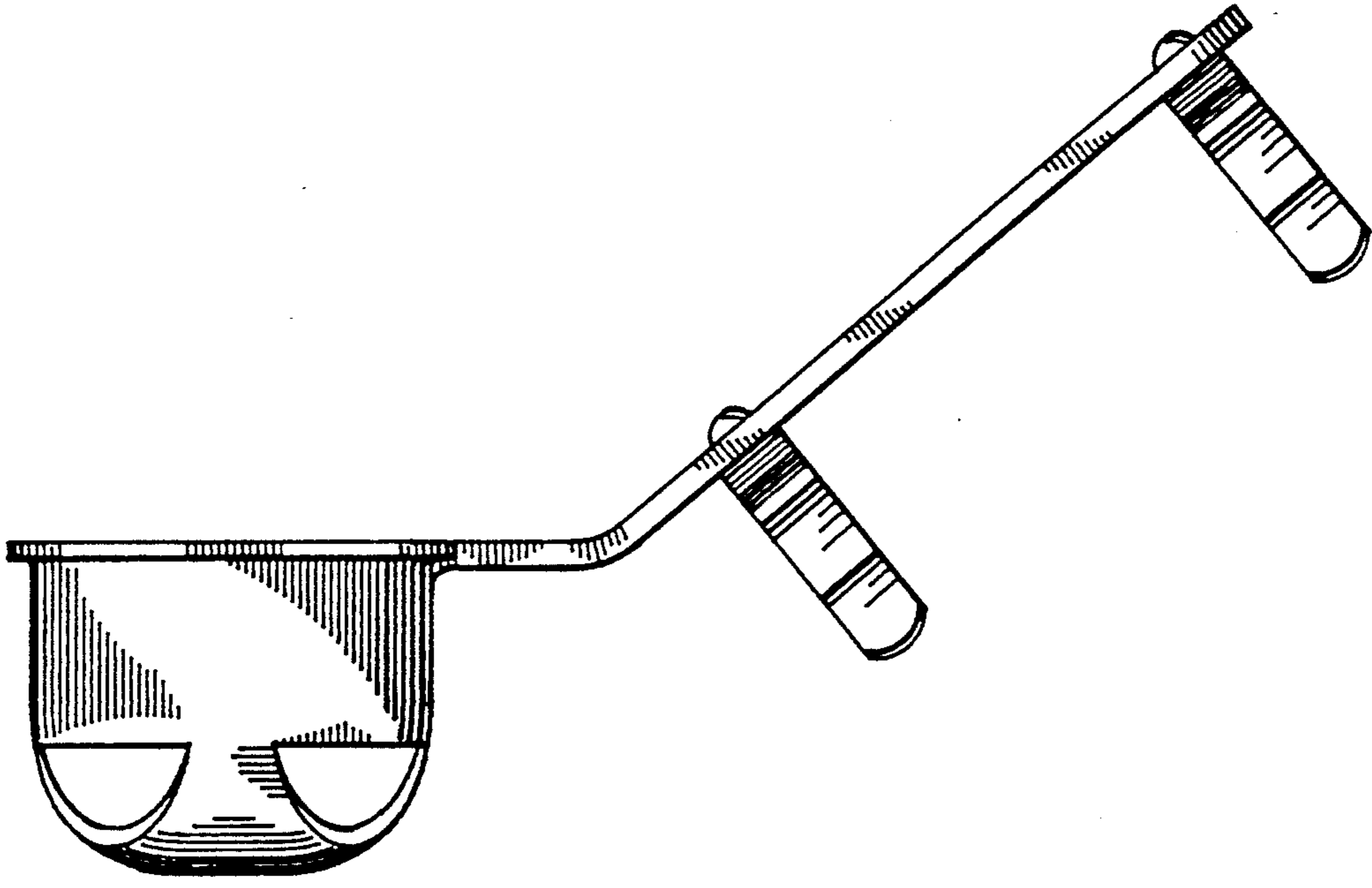
DESCRIPTION

[58] Field of Search 273/162 E, 32 F;
294/19.2; D21/206

FIG. 1 is a right side elevational view of a detachable golf ball retriever showing my new design, the left side elevational view being a mirror image thereof; FIG. 2 is a top plan view thereof; FIG. 3 is a bottom plan view thereof; FIG. 4 is a front elevational view thereof; and, FIG. 5 is a rear elevational view thereof.

[56] **References Cited**
U.S. PATENT DOCUMENTS

D. 194,045 11/1962 Hasselbusch D21/206
1,674,294 6/1928 O'Rourke 273/162 E



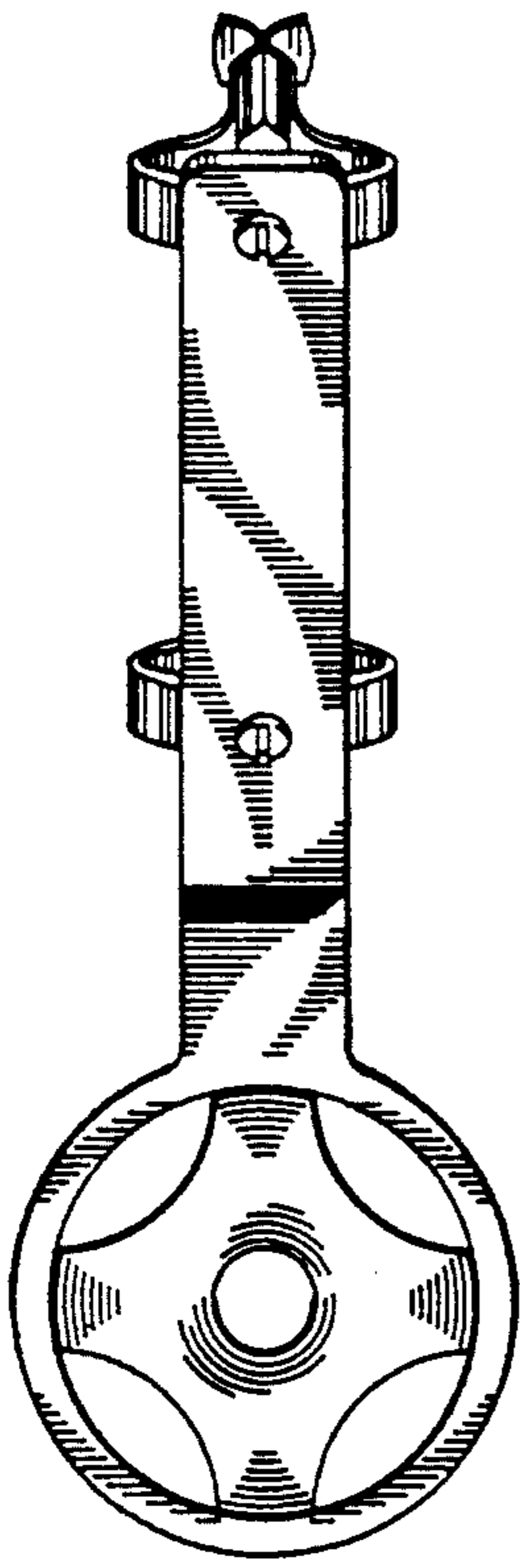


FIG. 2

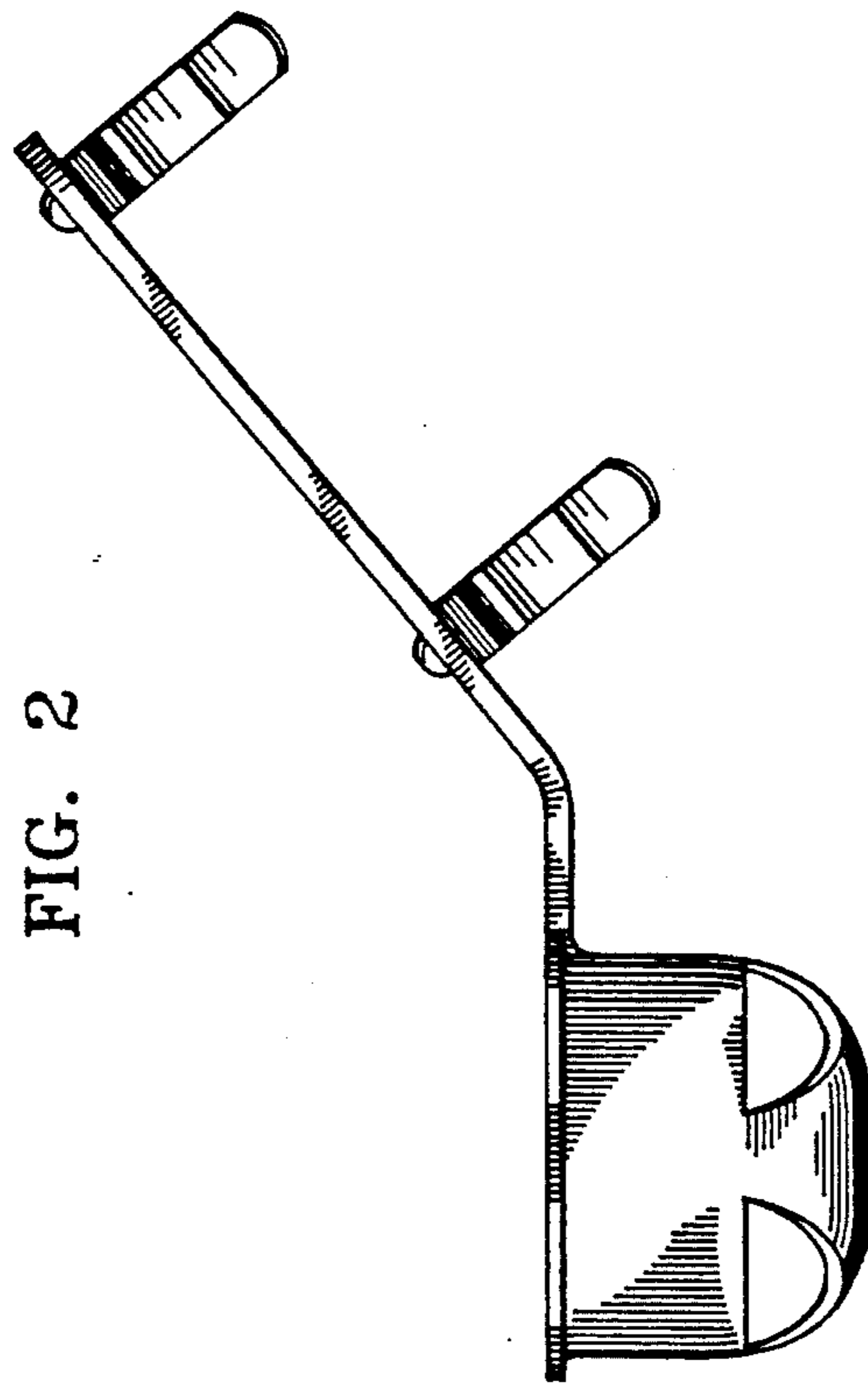


FIG. 1

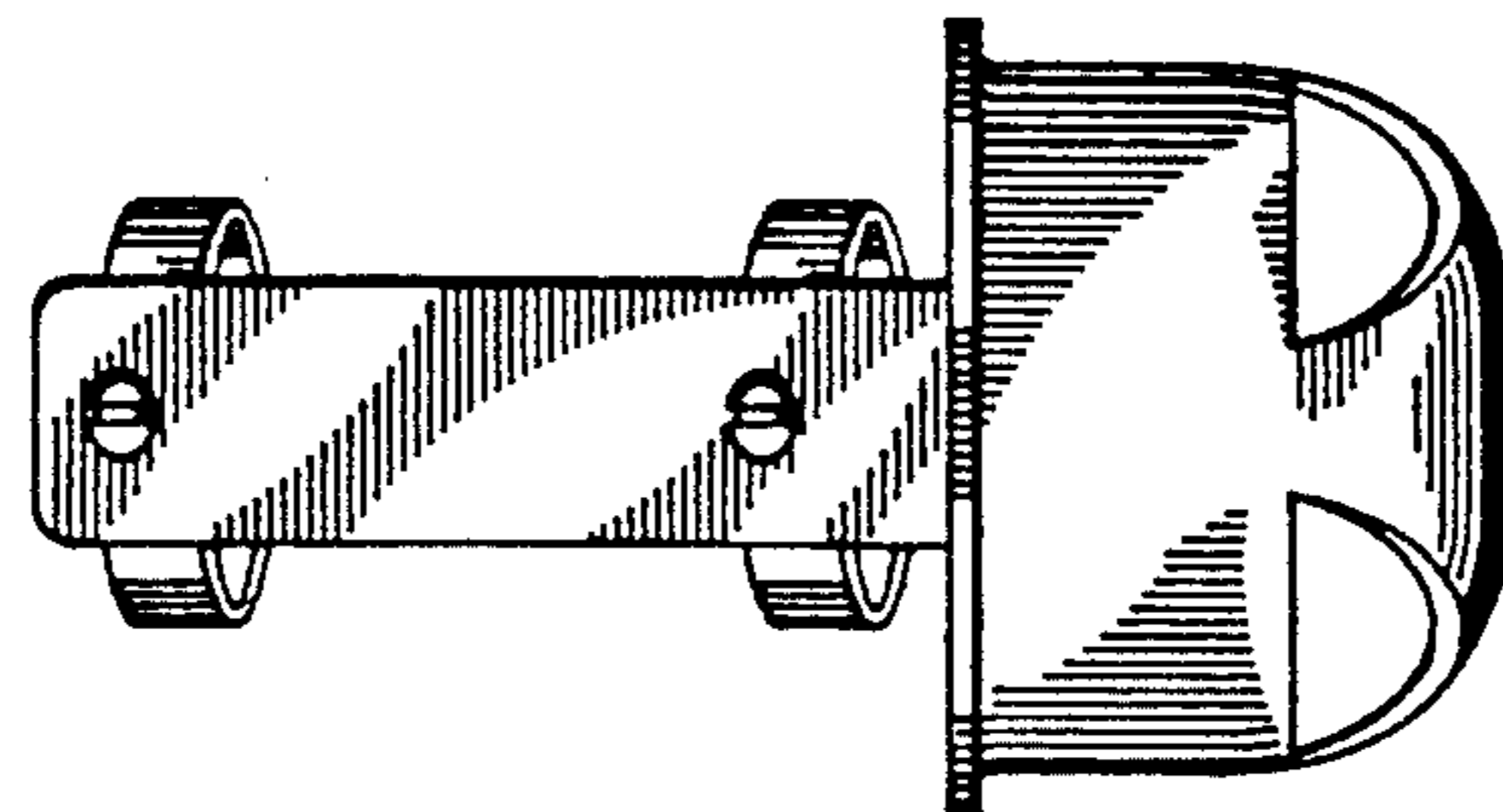


FIG. 4

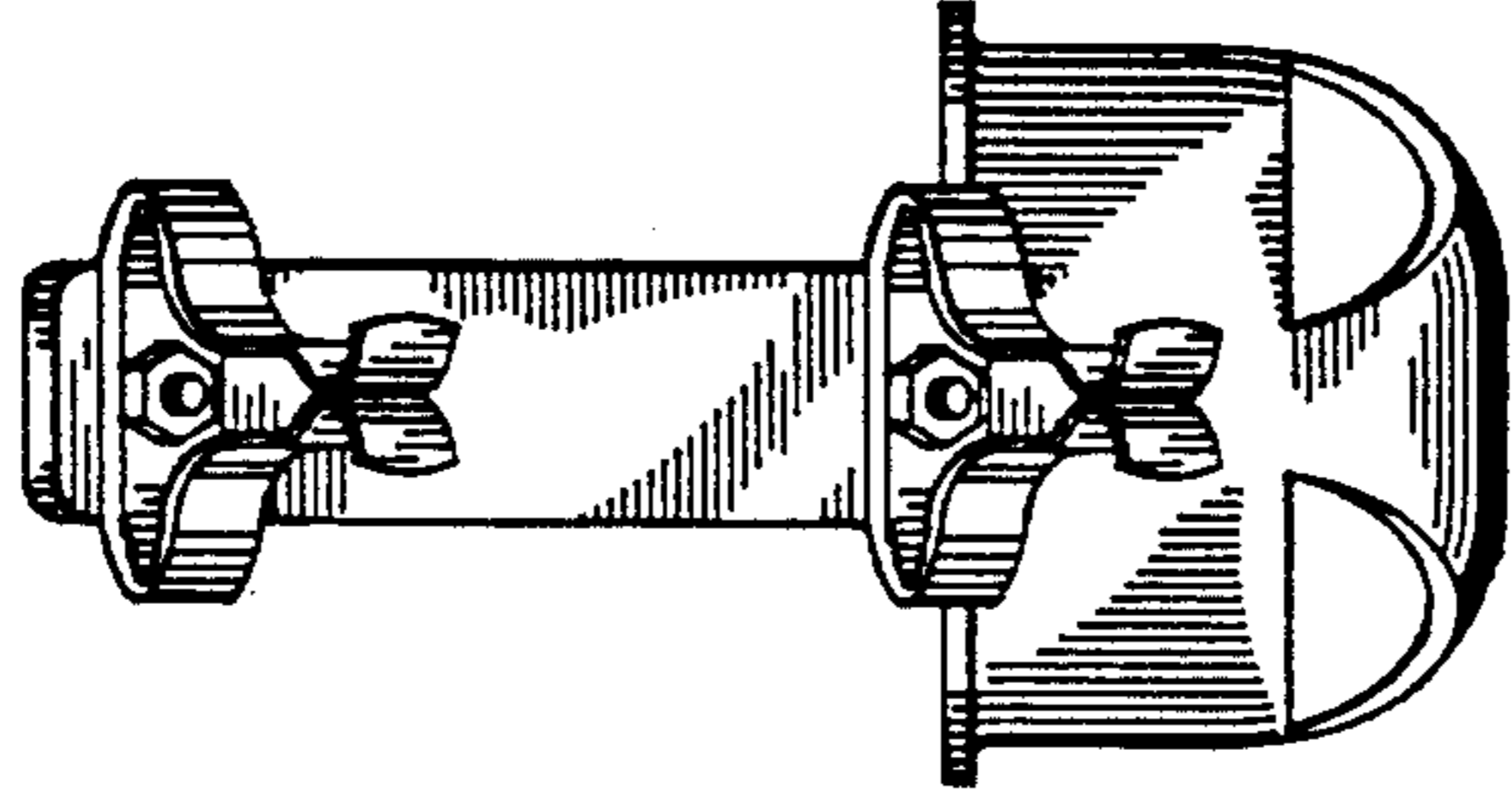


FIG. 5

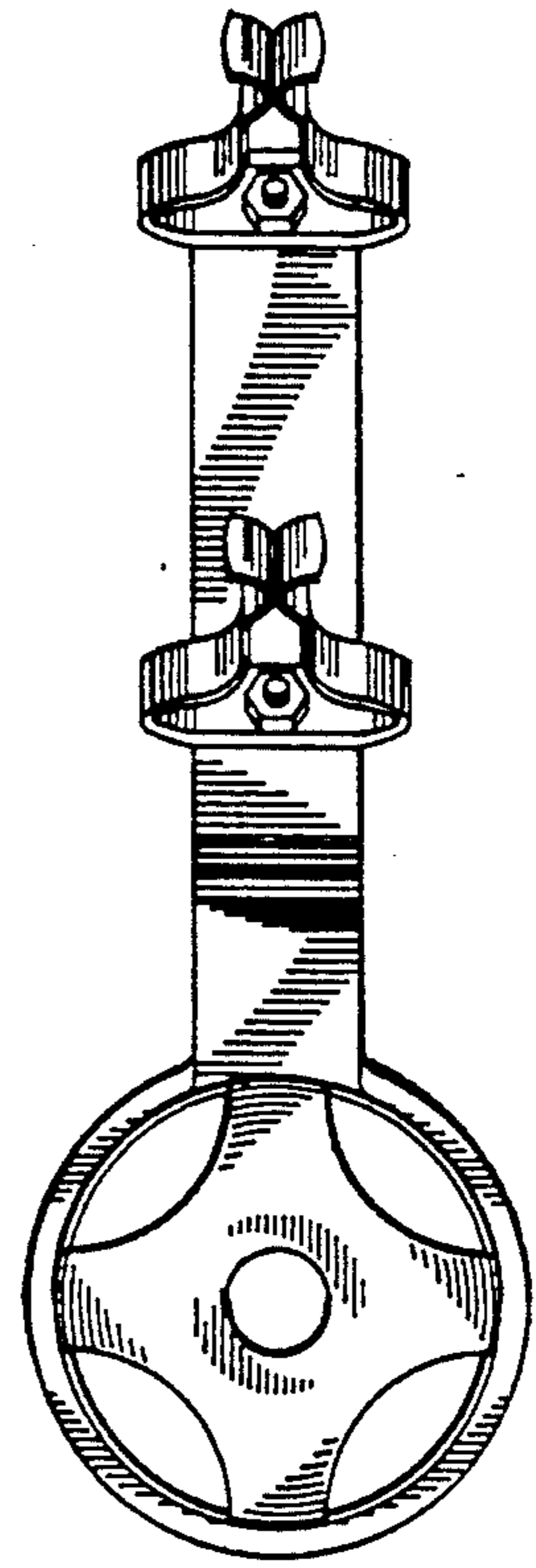


FIG. 3