



US00D347861S

United States Patent [19]

[11] Patent Number: **Des. 347,861**

Chauvette

[45] Date of Patent: **** Jun. 14, 1994**

[54] **ADJUSTABLE INDICATOR FOR ATTACHMENT TO A CONTAINER**

[76] Inventor: **Marc J. Chauvette**, 46 Sebbins Pond Dr., Bedford, N.H. 03110

[**] Term: **14 Years**

[21] Appl. No.: **2,402**

[22] Filed: **Dec. 10, 1992**

[52] U.S. Cl. **D20/22**

[58] Field of Search **D9/434; 40/1, 124, 124.1, 40/124.2, 124.4, 308, 310, 642, 644, 649, 5, 651; D20/10, 22, 23, 27, 28, 40, 42, 99**

[56] **References Cited**

U.S. PATENT DOCUMENTS

D. 185,514	6/1959	Ryan	D20/22
1,049,646	1/1913	Barnesby	40/310
1,532,127	4/1925	Elliott	40/651
3,490,163	1/1970	Piper et al.	40/310
3,517,450	6/1970	Greco	40/310
3,557,748	1/1971	Bowditch	40/649

Primary Examiner—Wallace R. Burke

Assistant Examiner—Marcus Jackson

Attorney, Agent, or Firm—Davis, Bujold & Streck

[57] **CLAIM**

The ornamental design for an adjustable indicator for attachment to a container, as shown and described.

DESCRIPTION

FIG. 1 is a front elevational view of an adjustable indicator for attachment to a container embodying my new design;

FIG. 2 is a bottom view of the adjustable indicator for attachment to a container of FIG. 1;

FIG. 3 is a right side view of the adjustable indicator for attachment to a container of FIG. 1;

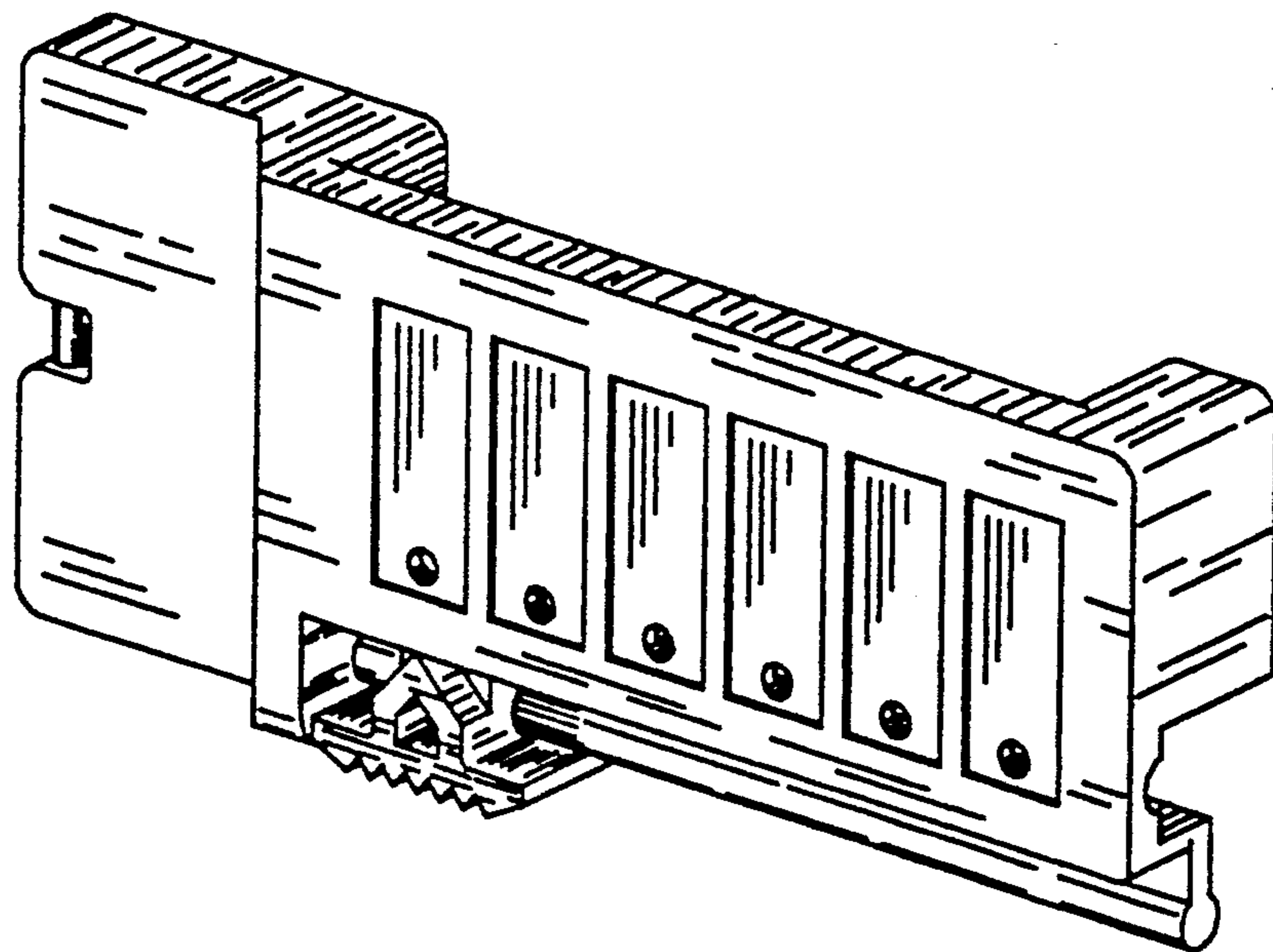
FIG. 4 is a left side view of the adjustable indicator for attachment to a container of FIG. 1;

FIG. 5 is a top plan view of the adjustable indicator for attachment to a container of FIG. 1;

FIG. 6 is a rear view of the adjustable indicator for attachment to a container of FIG. 1;

FIG. 7 is a front, bottom, right perspective view of the adjustable indicator for attachment to a container of FIG. 1; and,

FIG. 8 is a left, top, rear perspective view of the adjustable indicator for attachment to a container of FIG. 1.



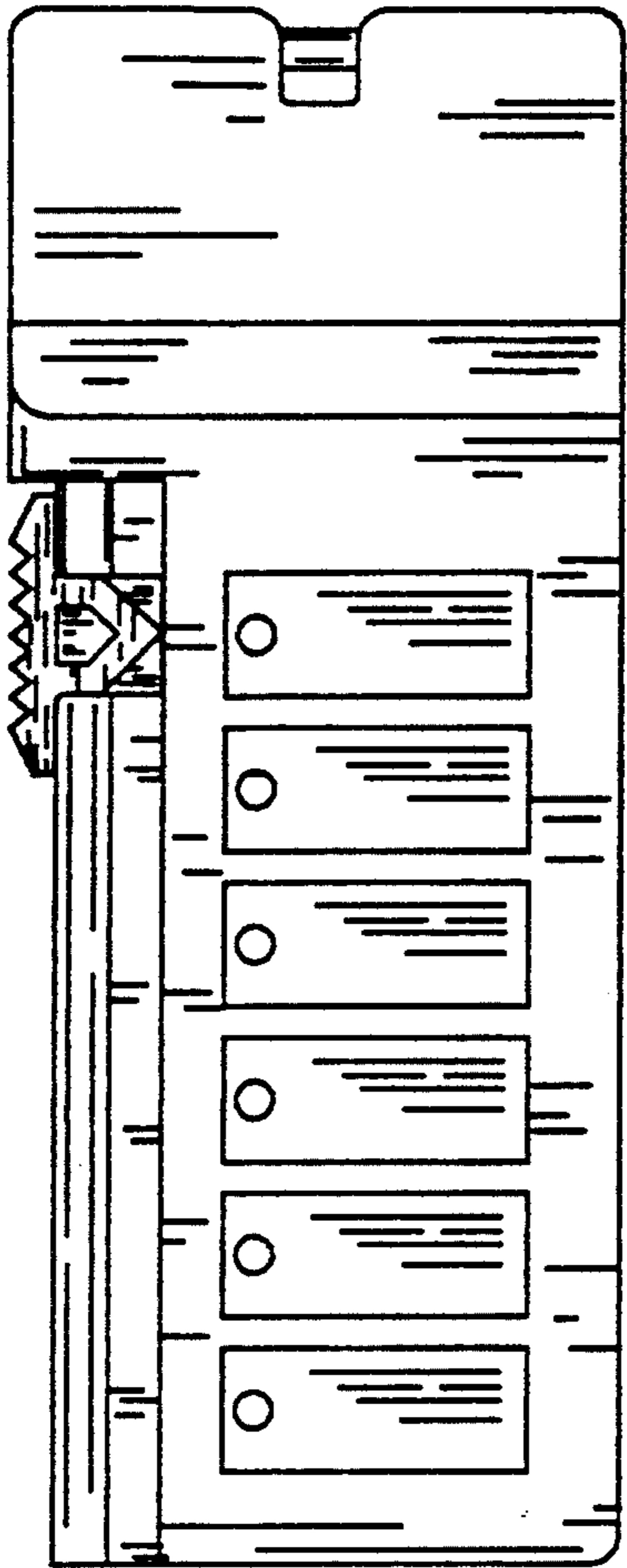


FIG. 1

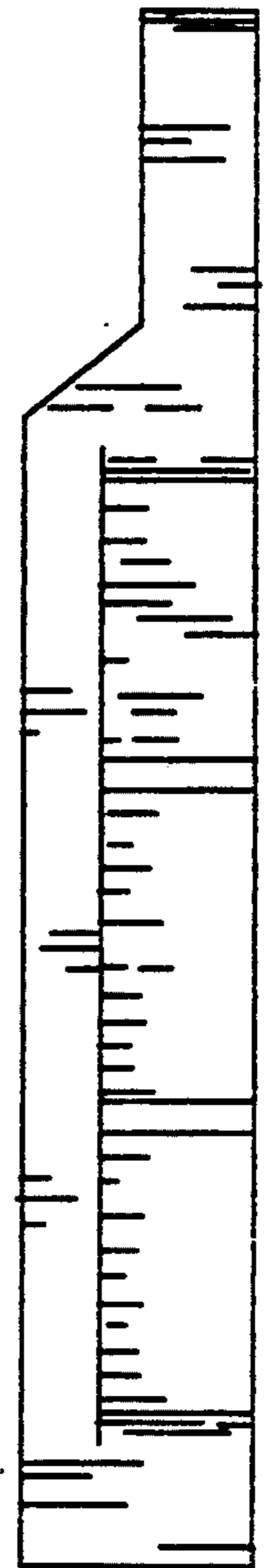


FIG. 3

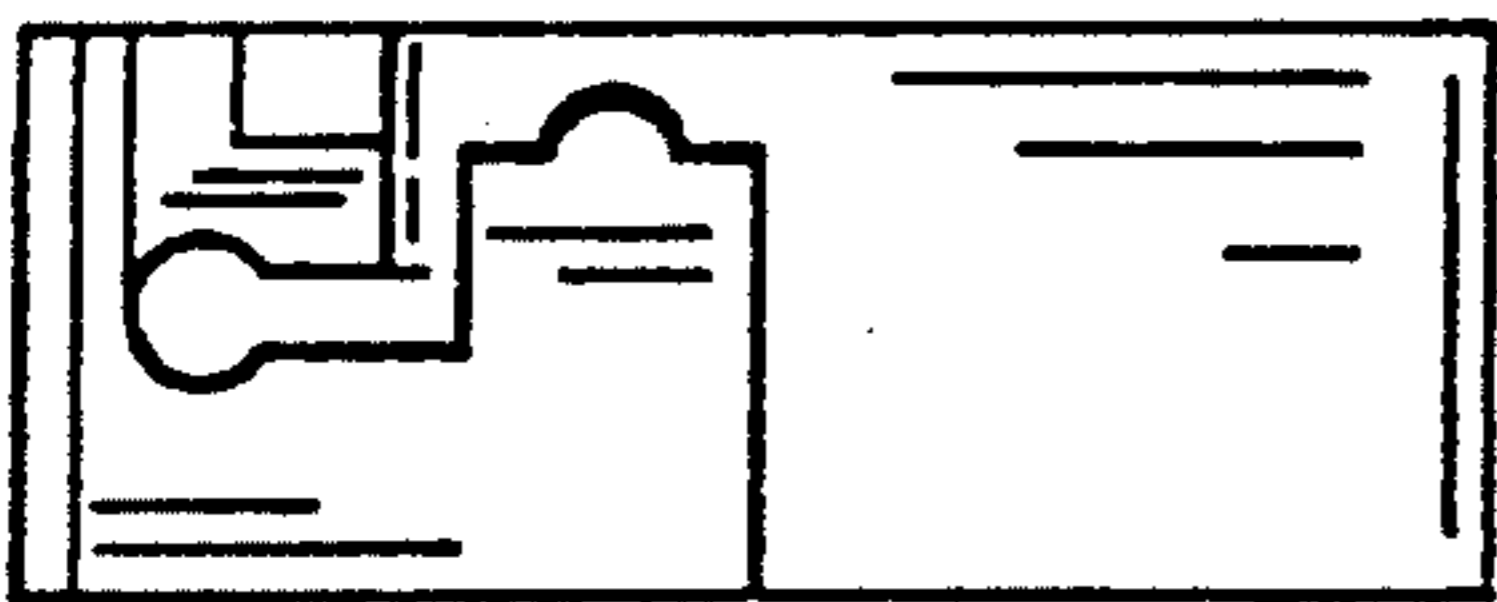


FIG. 2

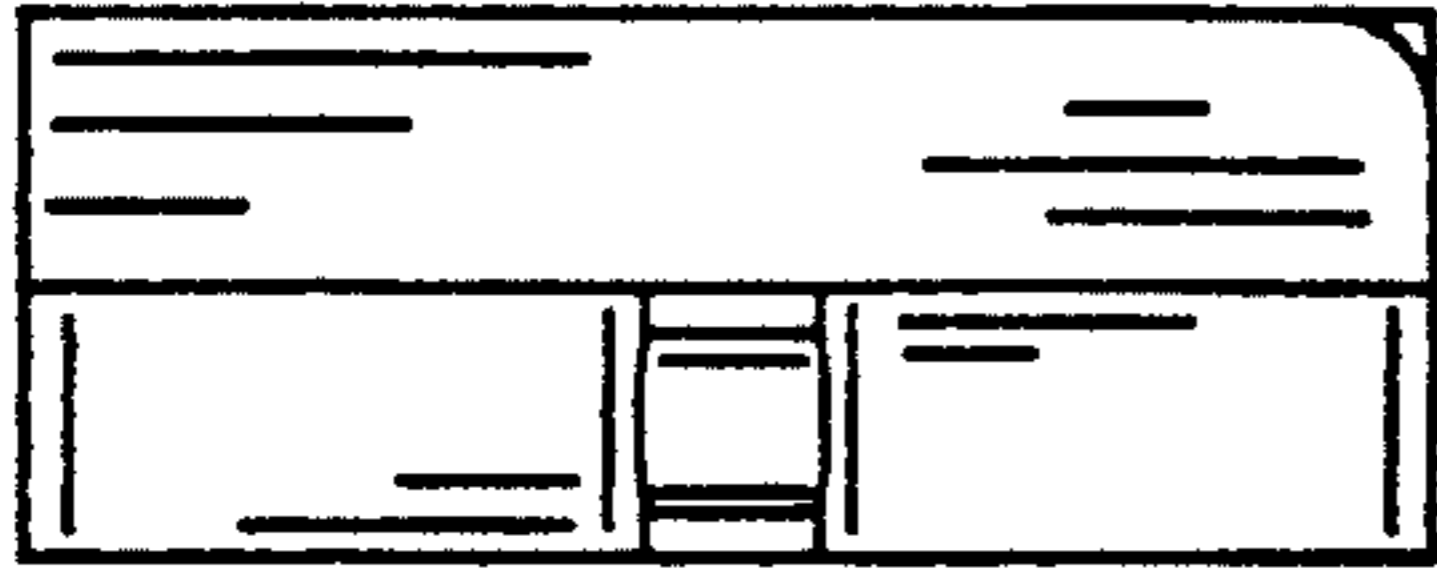


FIG. 5

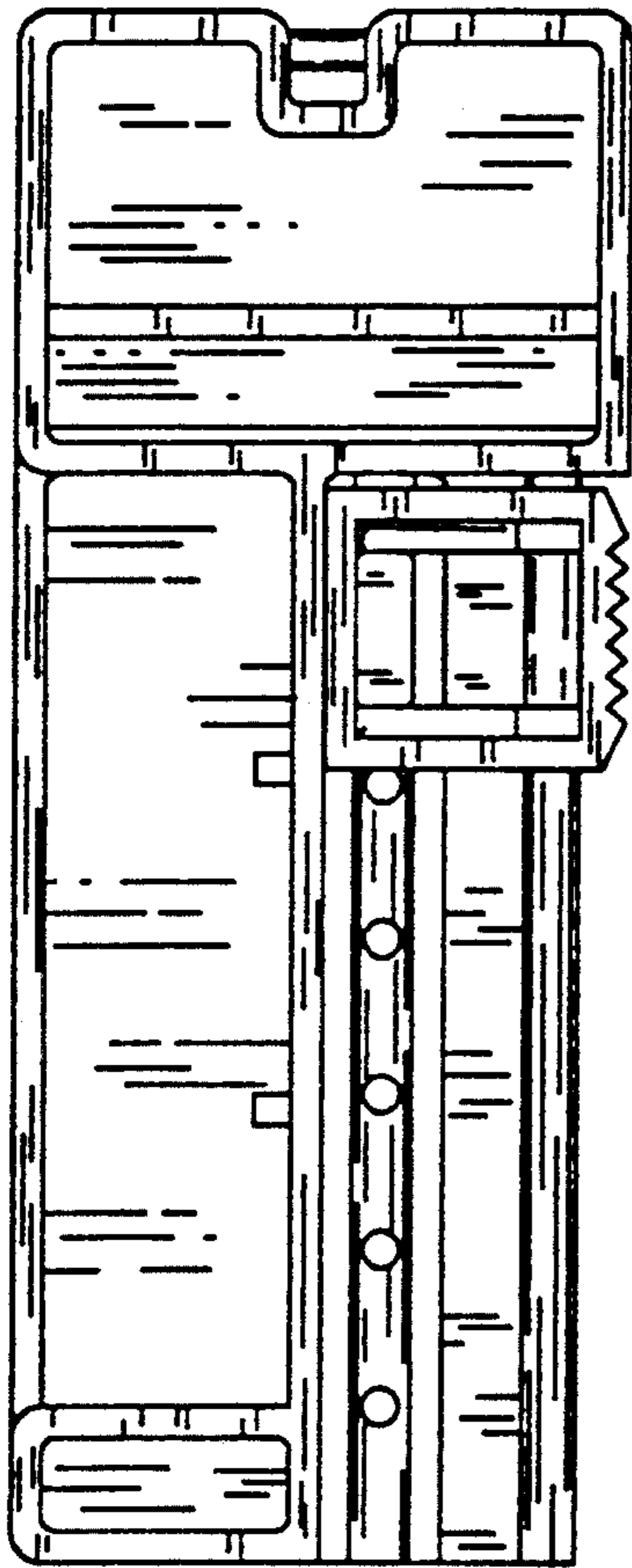


FIG. 6

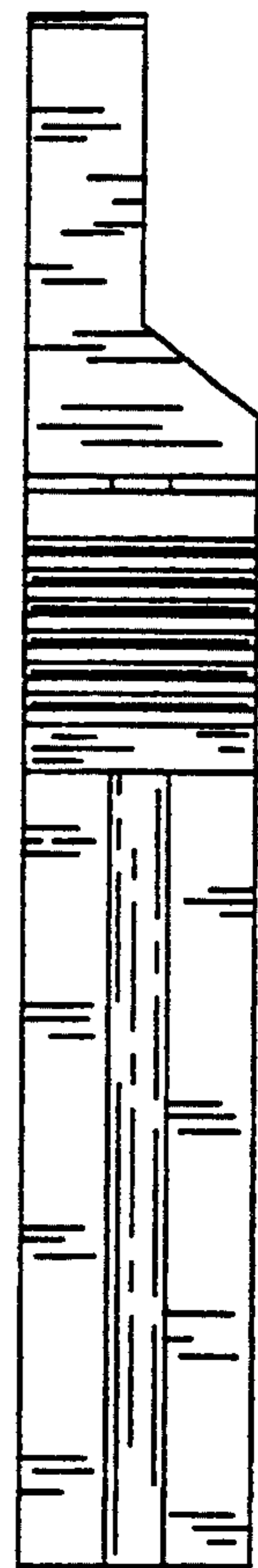


FIG. 4

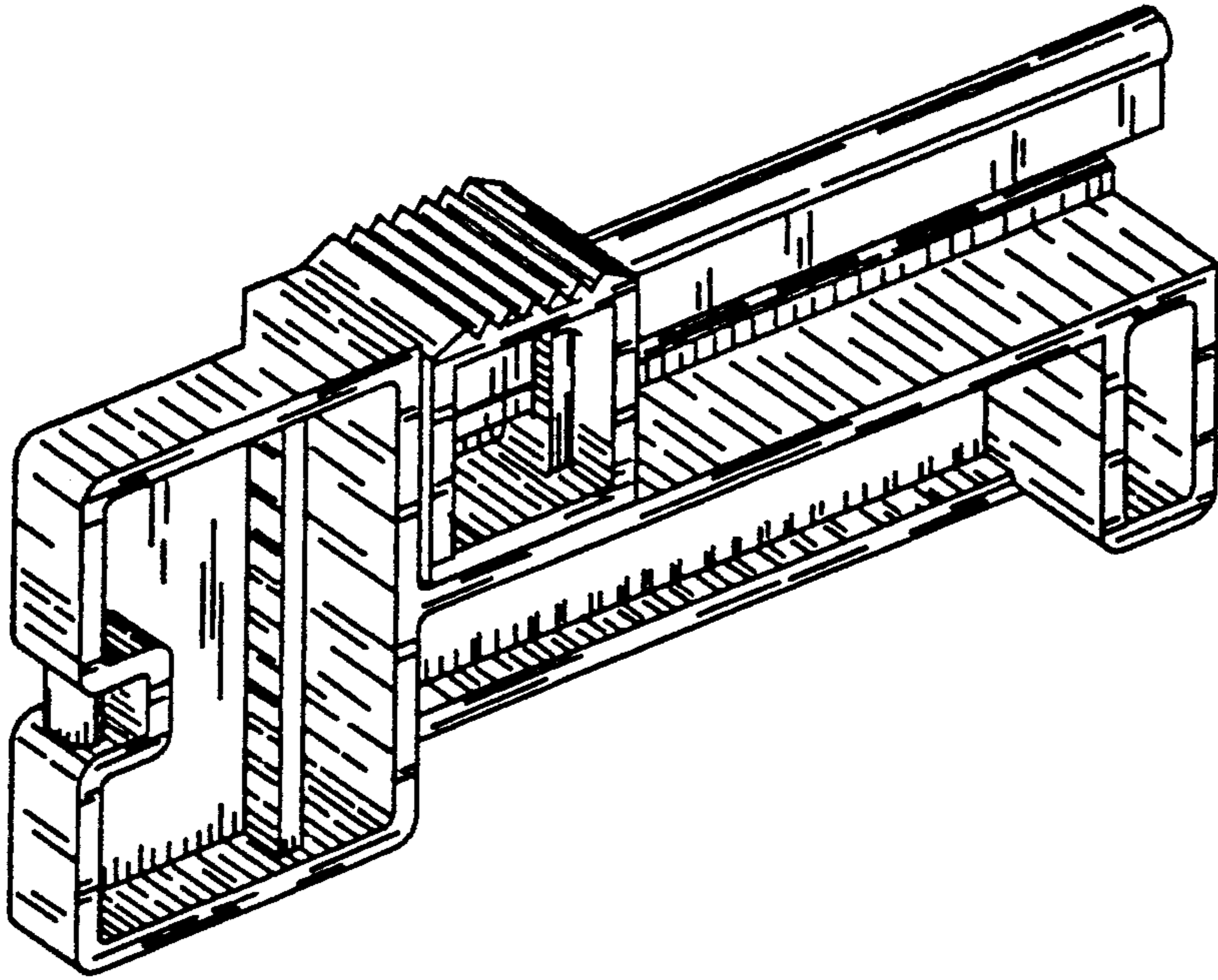


FIG. 8

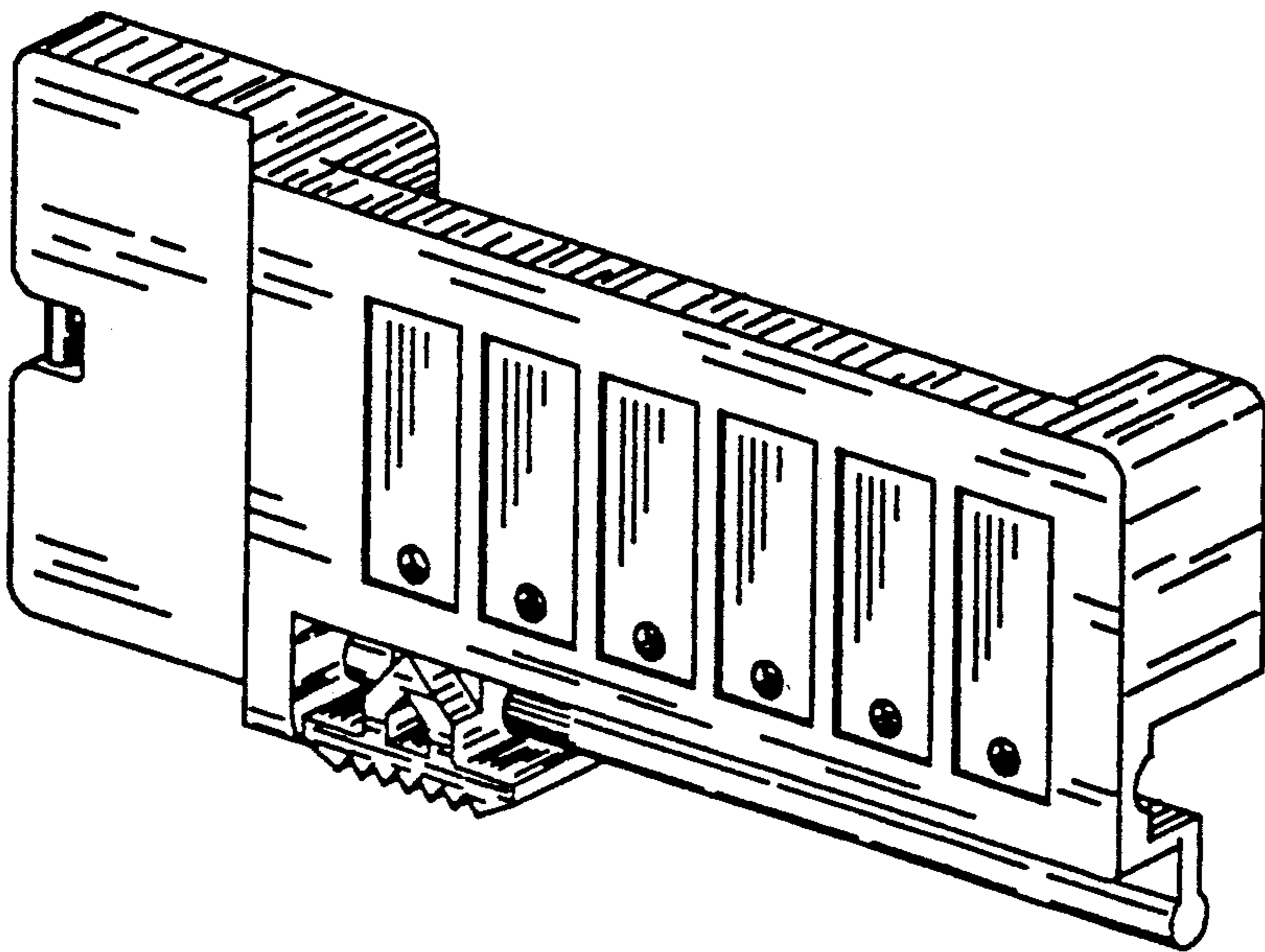


FIG. 7