



US00D347860S

# United States Patent [19] Hand

[11] Patent Number: **Des. 347,860**

[45] Date of Patent: **\*\* Jun. 14, 1994**

[54] **COMBINED WALL MOUNTABLE NAME  
PLATE HOLDER AND CONNECTOR TAB**

5,207,011 5/1993 Coulthard ..... 40/594

[75] Inventor: **Birney Hand, Knoxville, Tenn.**

### FOREIGN PATENT DOCUMENTS

[73] Assignee: **Tennessee Valley Authority, Muscle Shoals, Ala.**

19884 8/1904 Sweden ..... 40/124.1

[\*\*] Term: **14 Years**

*Primary Examiner*—Wallace R. Burke  
*Assistant Examiner*—Marcus Jackson  
*Attorney, Agent, or Firm*—Robert A. Petrussek

[21] Appl. No.: **875,159**

### [57] CLAIM

[22] Filed: **Apr. 30, 1992**

The ornamental design for a combined wall mountable name plate holder and connector tab, as shown and described.

[52] U.S. Cl. .... **D20/42**

[58] Field of Search ..... 40/1, 584, 594, 617,  
40/618, 621, 622, 649, 642, 643, 644; D20/10,  
22, 23, 27, 28, 39, 40, 42, 43, 44, 99

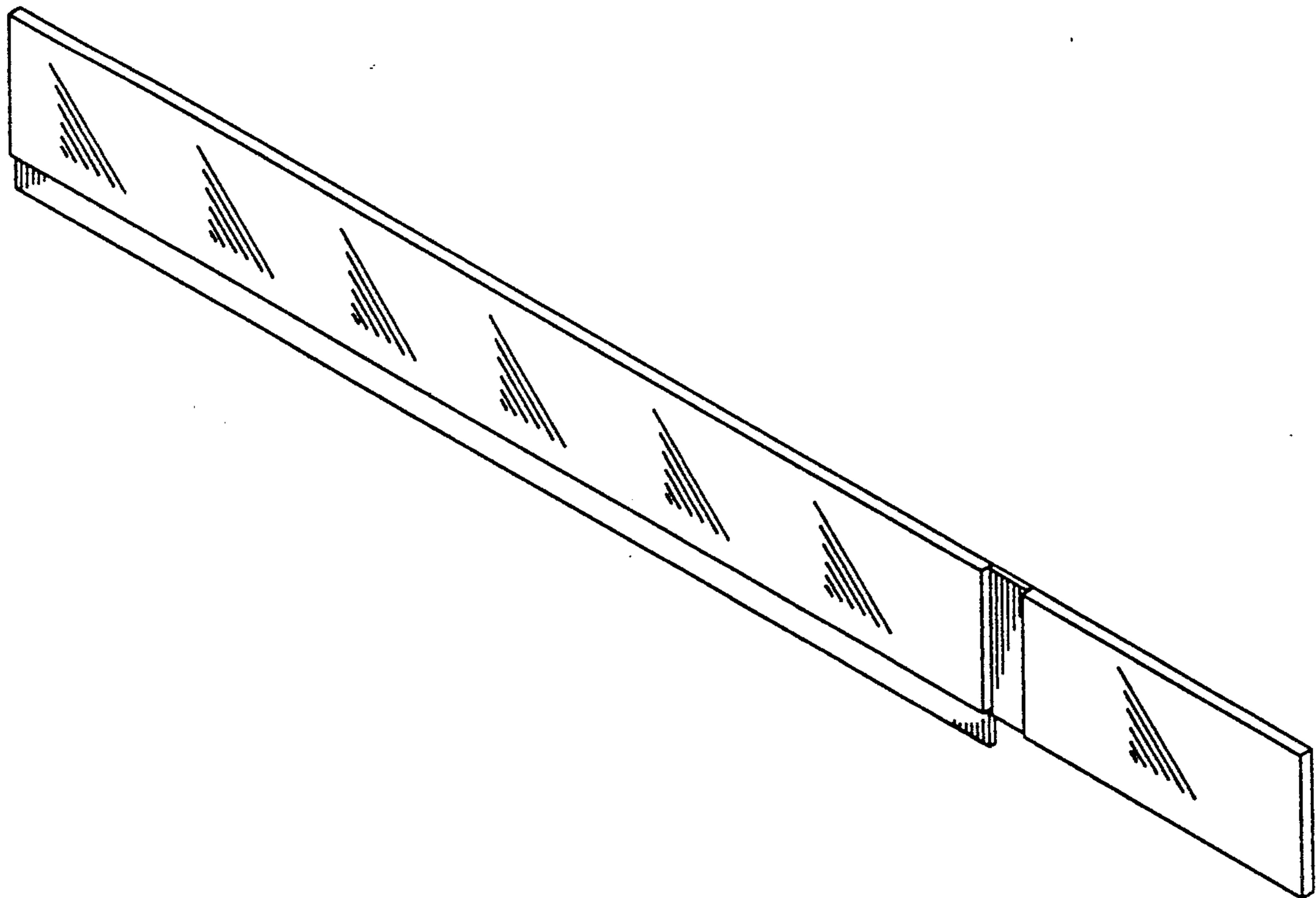
### DESCRIPTION

### [56] References Cited

#### U.S. PATENT DOCUMENTS

857,646	6/1907	Mayer	40/617
2,544,844	3/1951	Ziber	40/649
3,011,279	12/1961	Severson	40/649
4,625,441	12/1986	Fast	40/649
4,637,151	1/1987	Zoue et al.	40/649

FIG. 1 is a front elevational view of a combined wall mountable name plate holder and connector tab showing my new design, the rear being flat and plain; FIG. 2 is a right side elevational view thereof; FIG. 3 is a top view thereof; FIG. 4 is a top, front, right perspective view thereof; and, FIG. 5 is a bottom, front, right perspective view thereof.



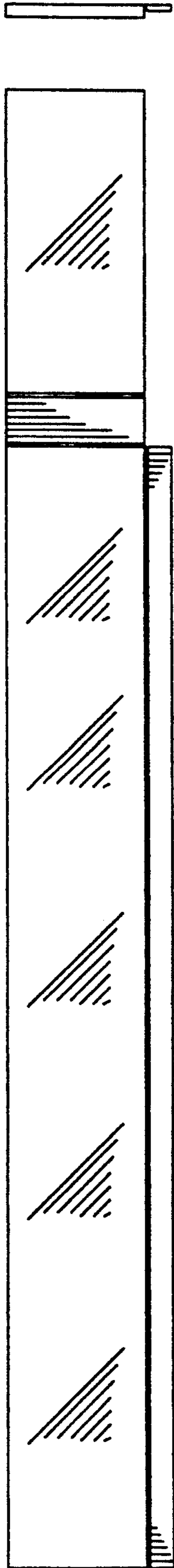


Fig. 1

Fig. 2



Fig. 3

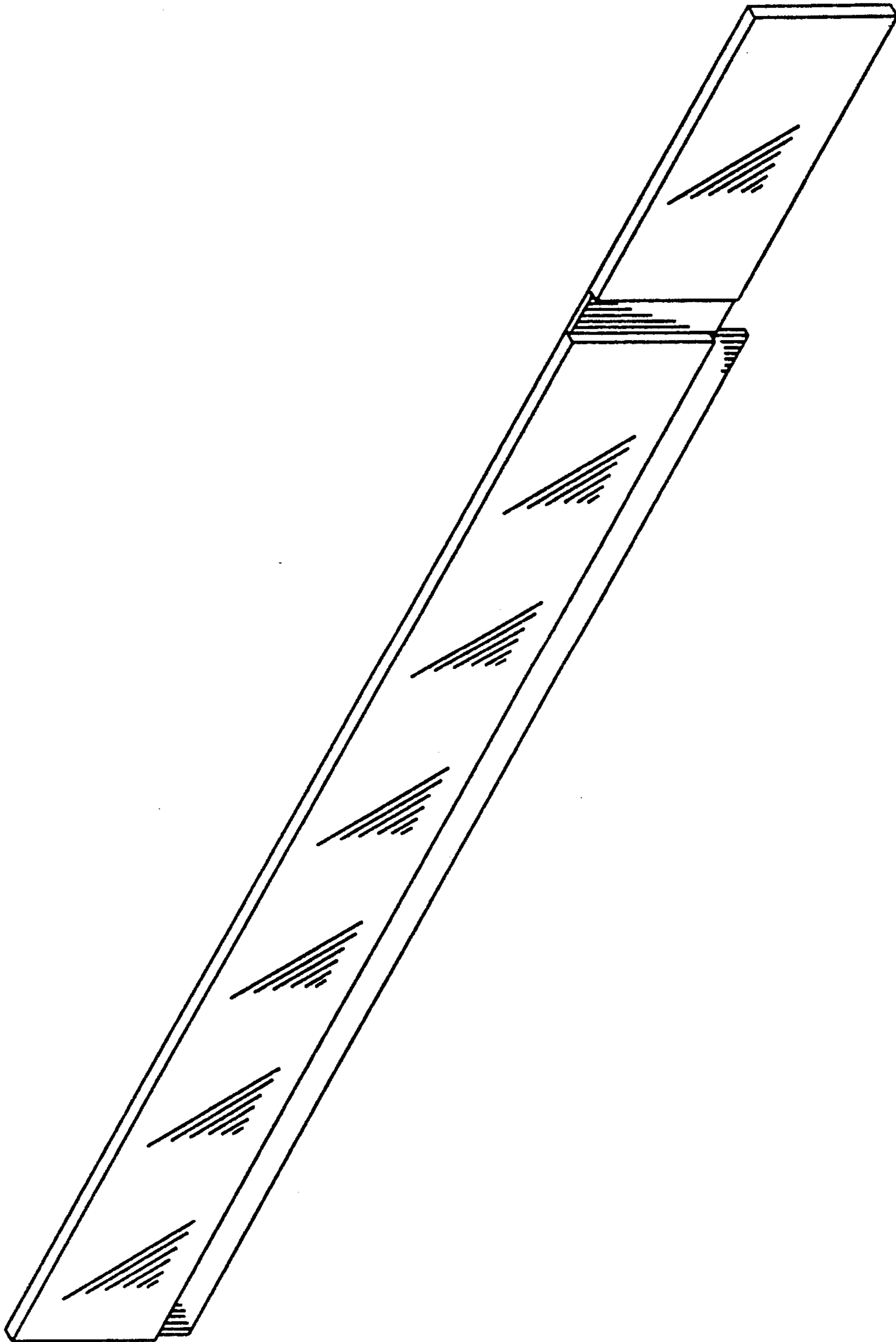


Fig. 4

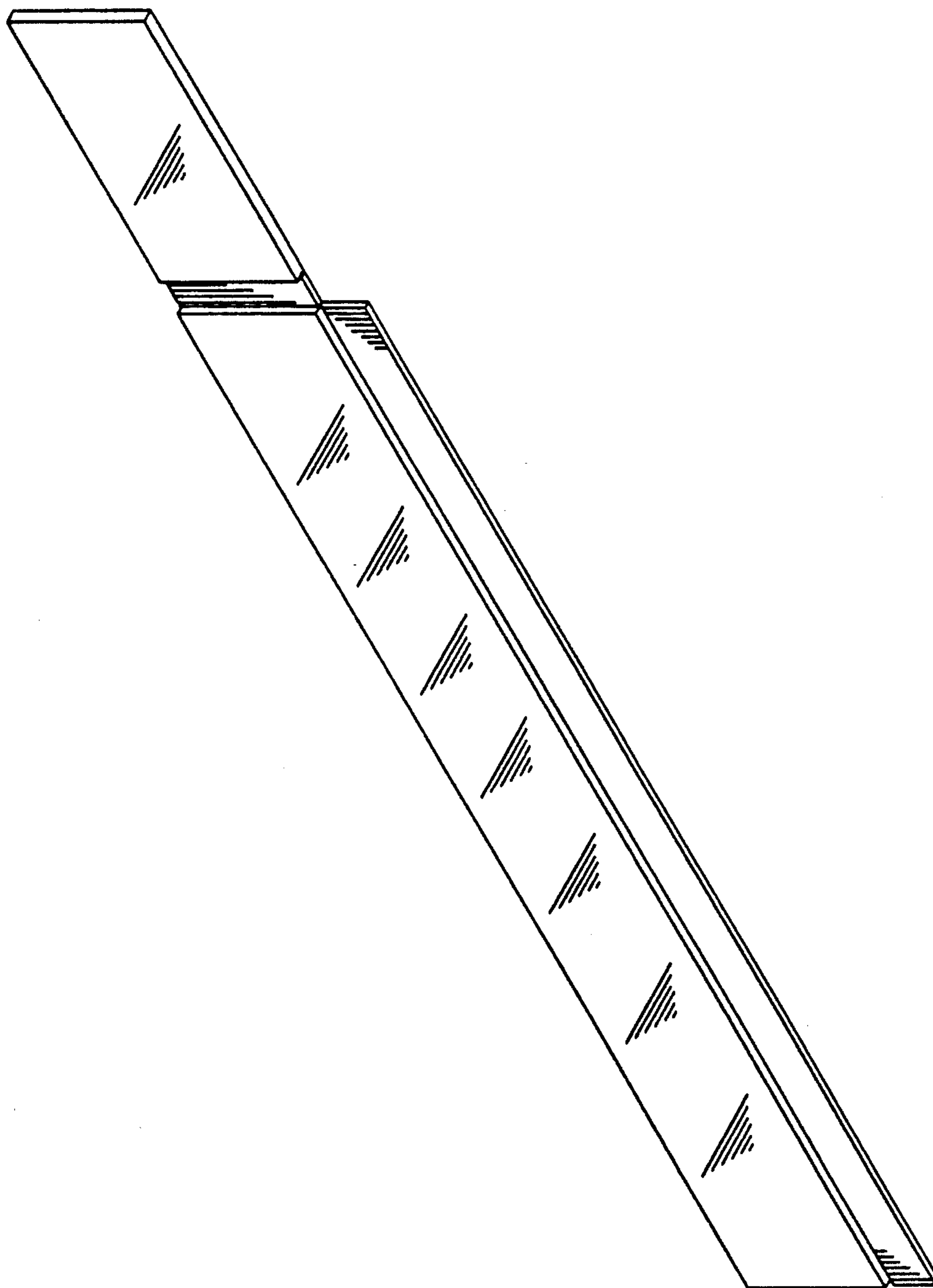


Fig. 5