



US00D347850S

# United States Patent [19]

[11] Patent Number: Des. 347,850

Takano et al.

[45] Date of Patent: \*\* Jun. 14, 1994

## [54] VIDEO CAMERA WITH VIDEO TAPE RECORDER

[75] Inventors: Hiroshi Takano; Koya Kurokawa, both of Ehime, Japan

[73] Assignee: Matsushita Electric Co., Ltd., Osaka, Japan

[\*\*] Term: 14 Years

[21] Appl. No.: 721,372

[22] Filed: Jun. 24, 1991

### [30] Foreign Application Priority Data

Dec. 27, 1990 [JP]	Japan	2-44015
Dec. 27, 1990 [JP]	Japan	2-44017

[52] U.S. Cl. .... D16/202

[58] Field of Search ..... 352/34, 242; 354/82, 354/145.1, 288; 358/227, 906; D16/200-206, 208

### [56] References Cited

#### U.S. PATENT DOCUMENTS

D. 298,134	10/1988	Mori	D16/202
D. 313,608	1/1991	Ooi et al.	D16/202
D. 314,782	2/1991	Hong	D16/202
D. 316,554	4/1991	Ooi et al.	D16/202
D. 316,718	5/1991	Shim	D16/202
D. 325,921	5/1992	Ooi et al.	D16/202
5,130,741	7/1992	Nishigaki et al.	354/145.1

## OTHER PUBLICATIONS

Video Review, Jul. 1988 p. 59 (Sharp VL-L250U Camcorder).

HFD Sep. 5, 1988 p. 71 (Hitachi's VM-3150).

Video Review, Dec. 1987 p. 80 (Hitachi's VM-3000A).

Primary Examiner—Bernard Ansher

Assistant Examiner—Adir Aronovich

Attorney, Agent, or Firm—Sughrue, Mion, Zinn, Macpeak & Seas

## [57] CLAIM

The ornamental design for a video camera with video tape recorder, as shown and described.

## DESCRIPTION

FIG. 1 is a front, top and right side perspective view of a video camera with video tape recorder showing our new design;

FIG. 2 is a rear, top and left side perspective view thereof;

FIG. 3 is a front elevational view thereof;

FIG. 4 is a rear elevational view thereof;

FIG. 5 is a right side elevational view thereof;

FIG. 6 is a left side elevational view thereof;

FIG. 7 is a top plan view thereof;

FIG. 8 is a bottom plan view thereof; and,

FIG. 9 is a front, top and right side perspective view thereof, with the eye piece rotated to a position at 90° to the axis of the lens system.

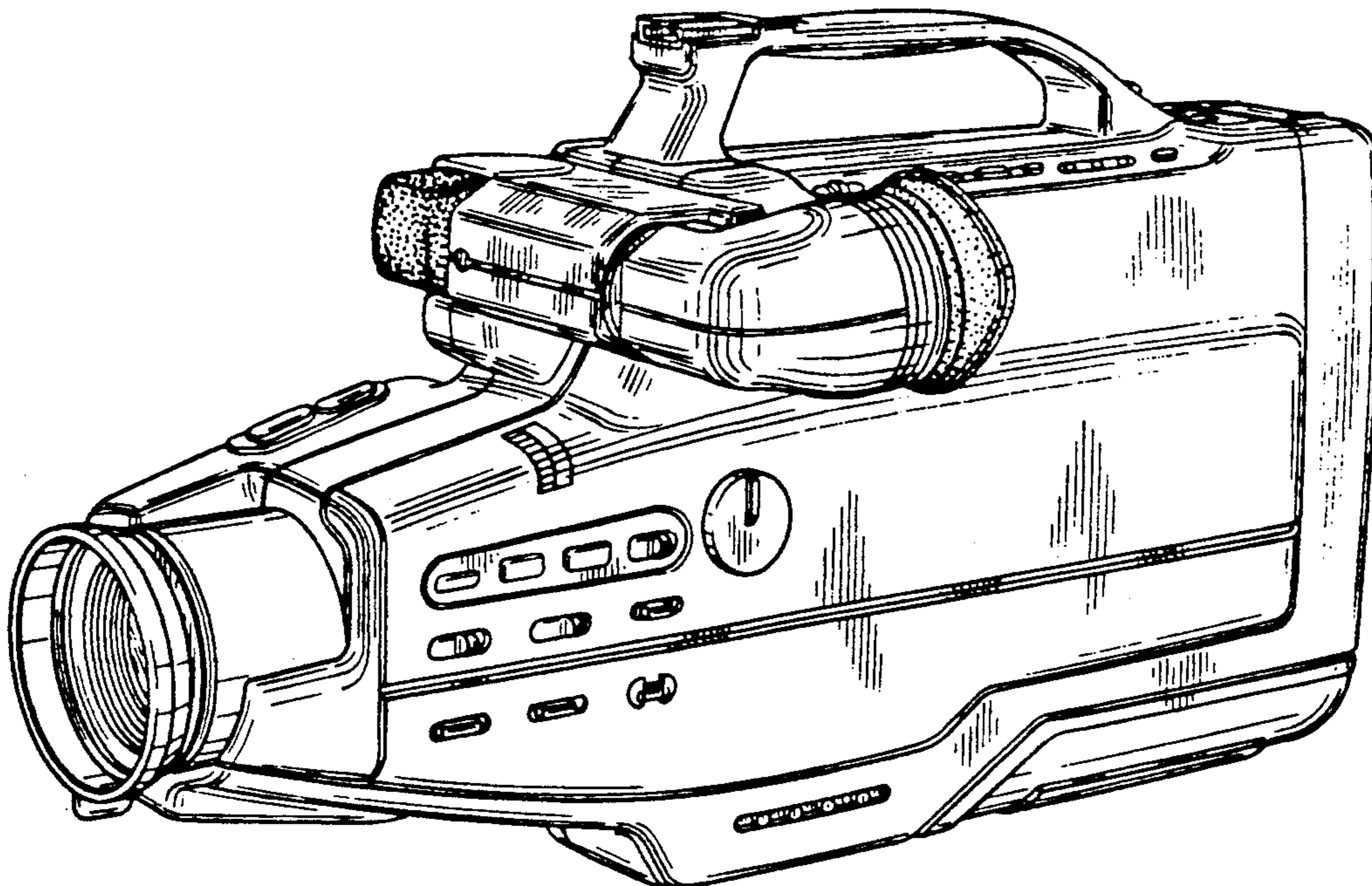


FIG. 1

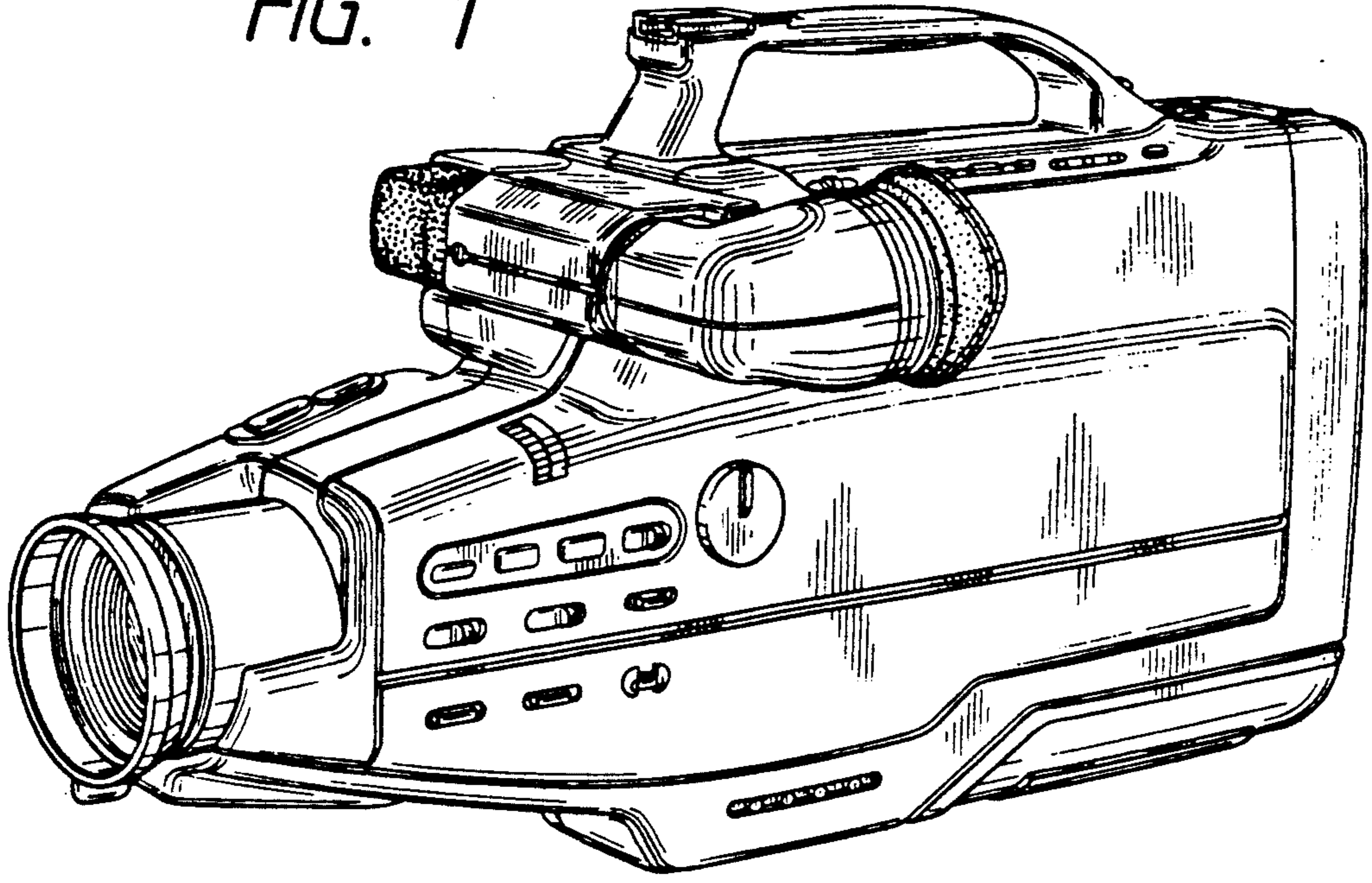


FIG. 2

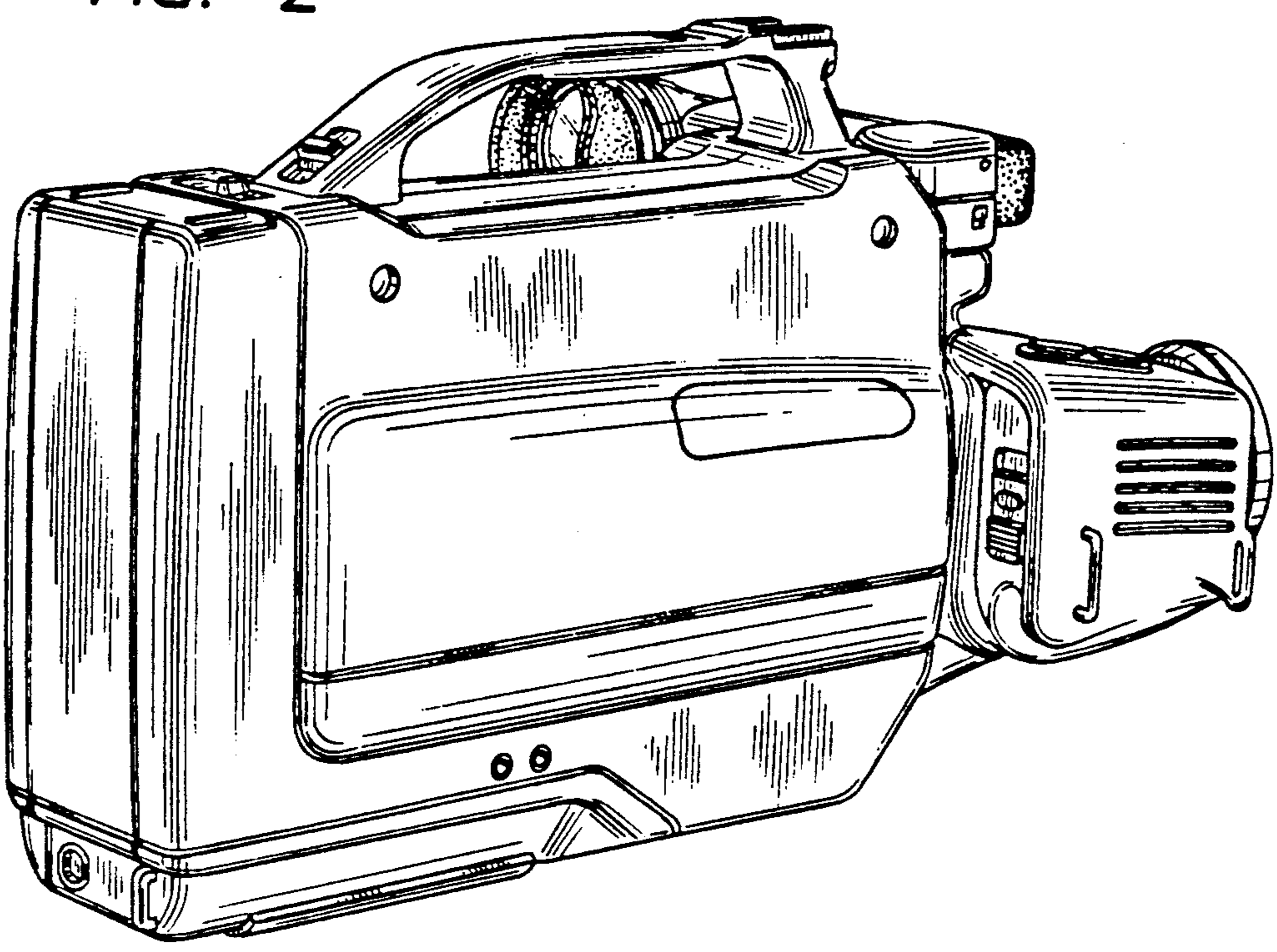


FIG. 3

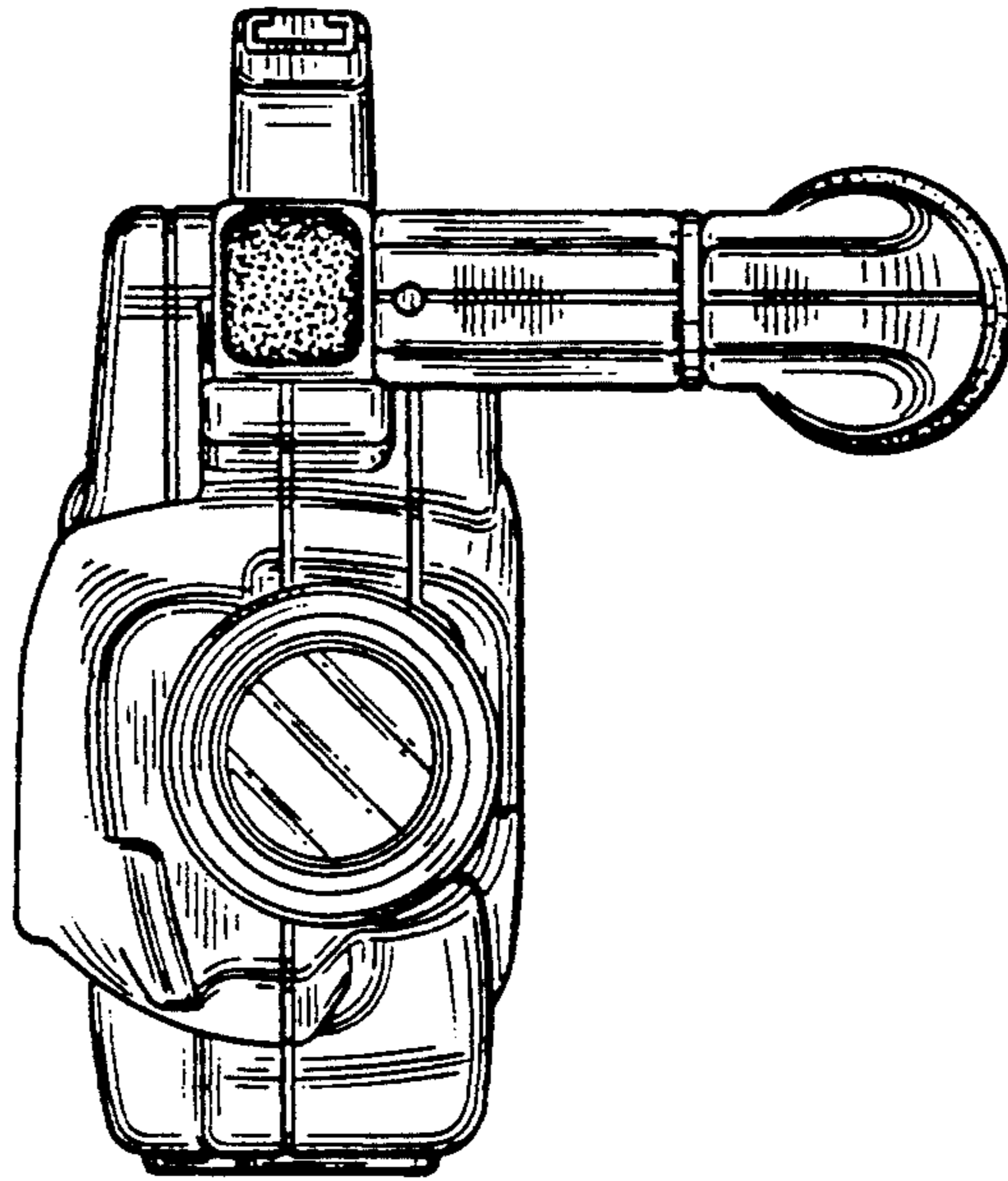


FIG. 4

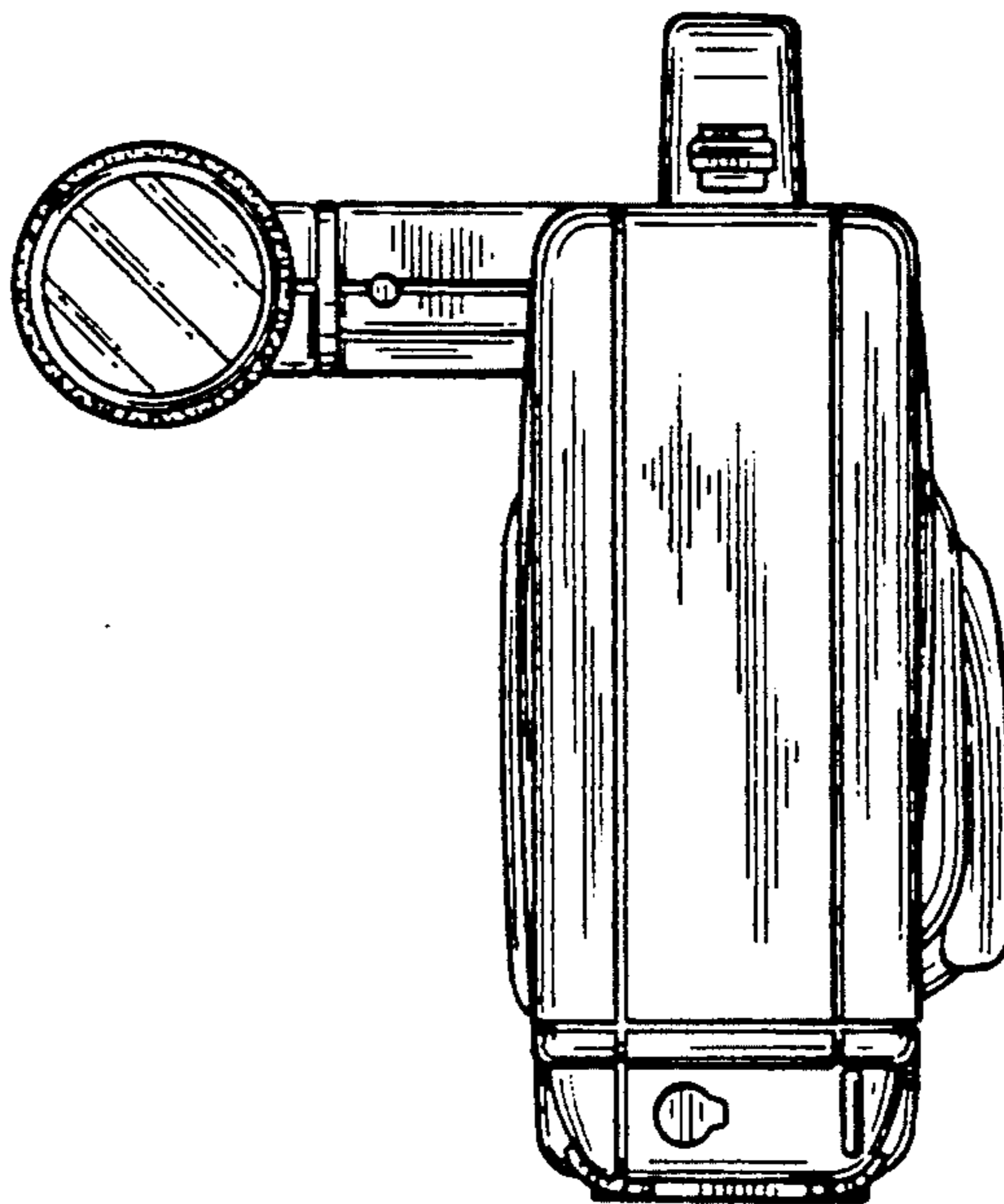


FIG. 5

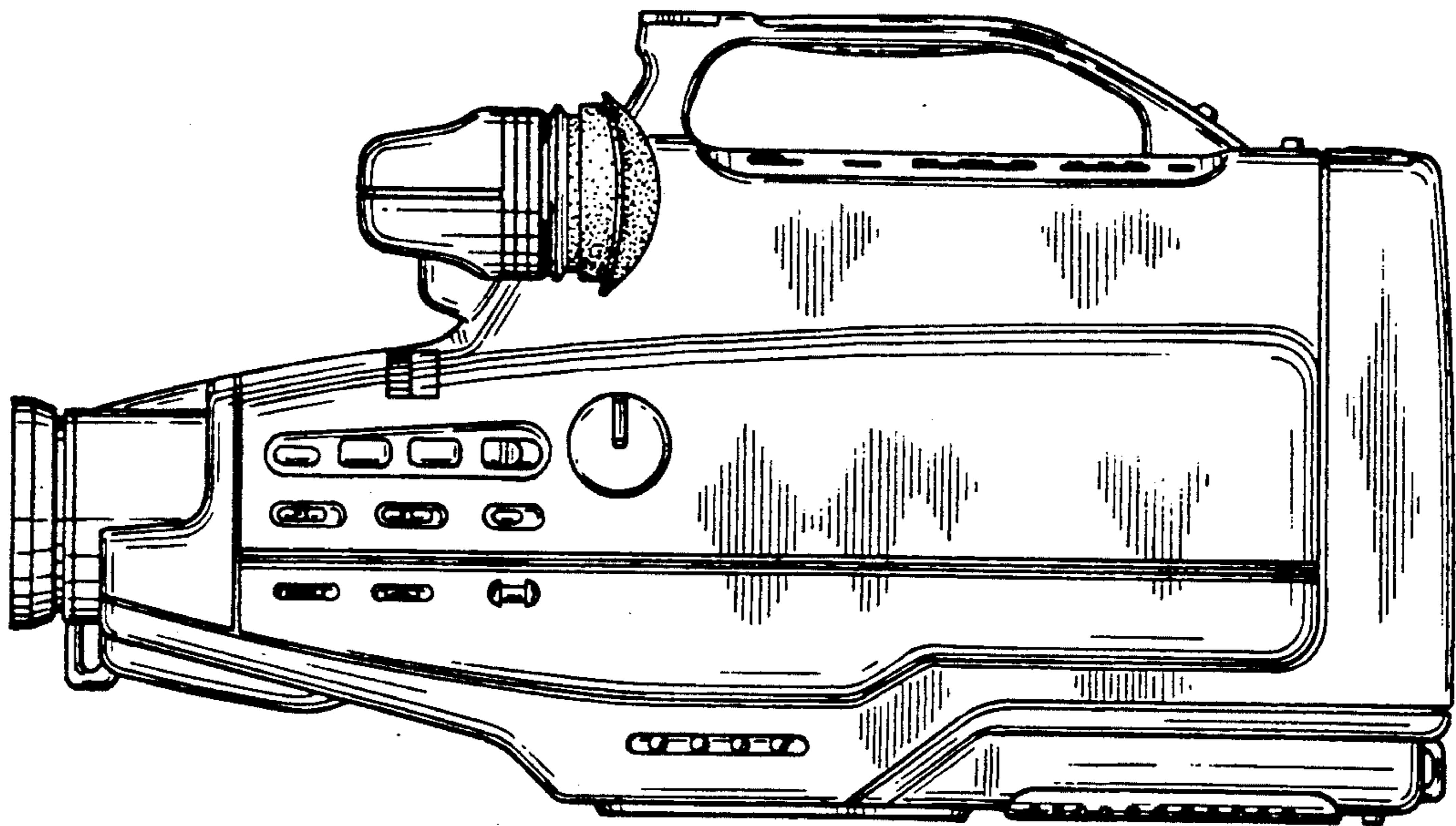


FIG. 6

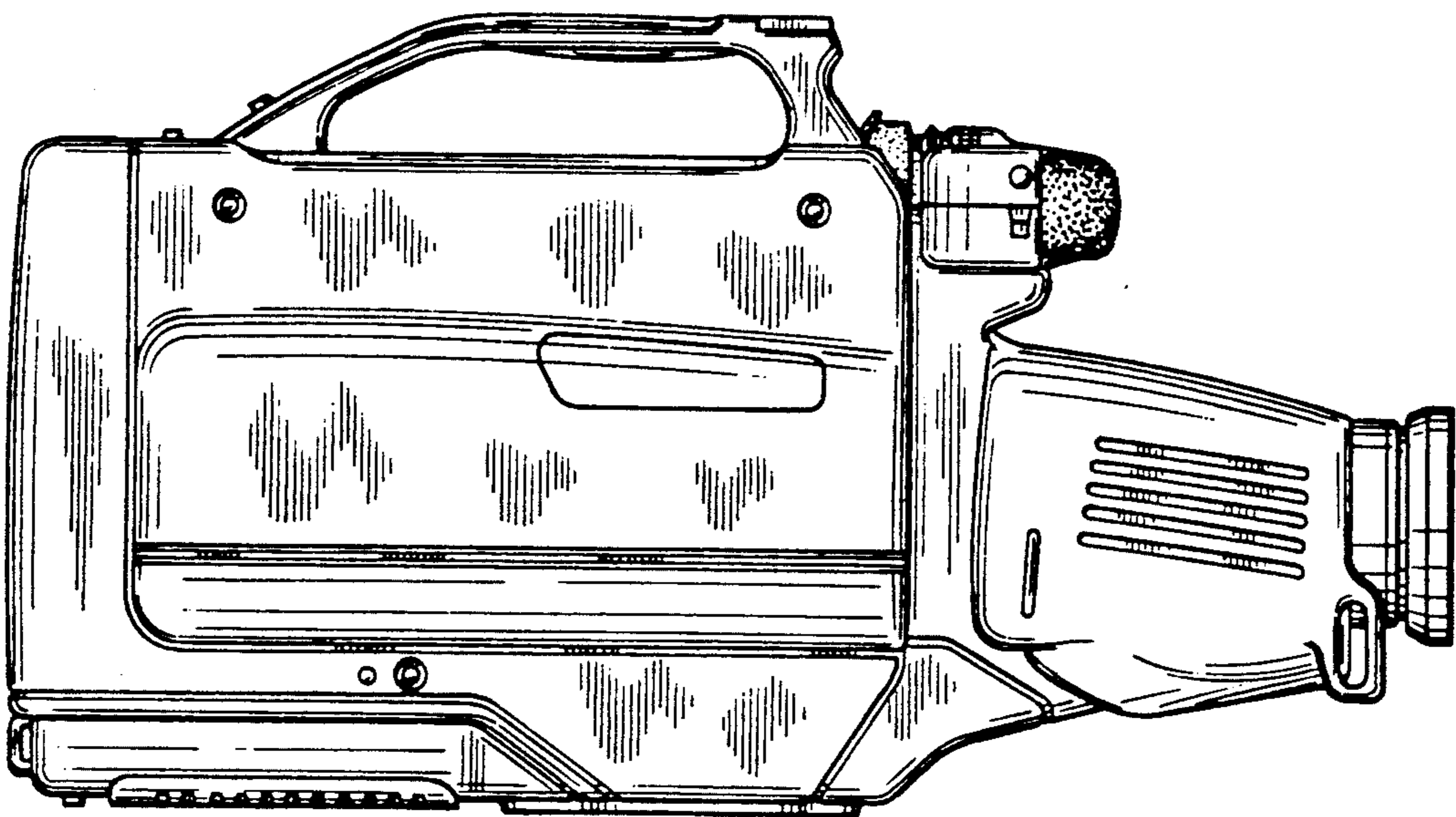


FIG. 7

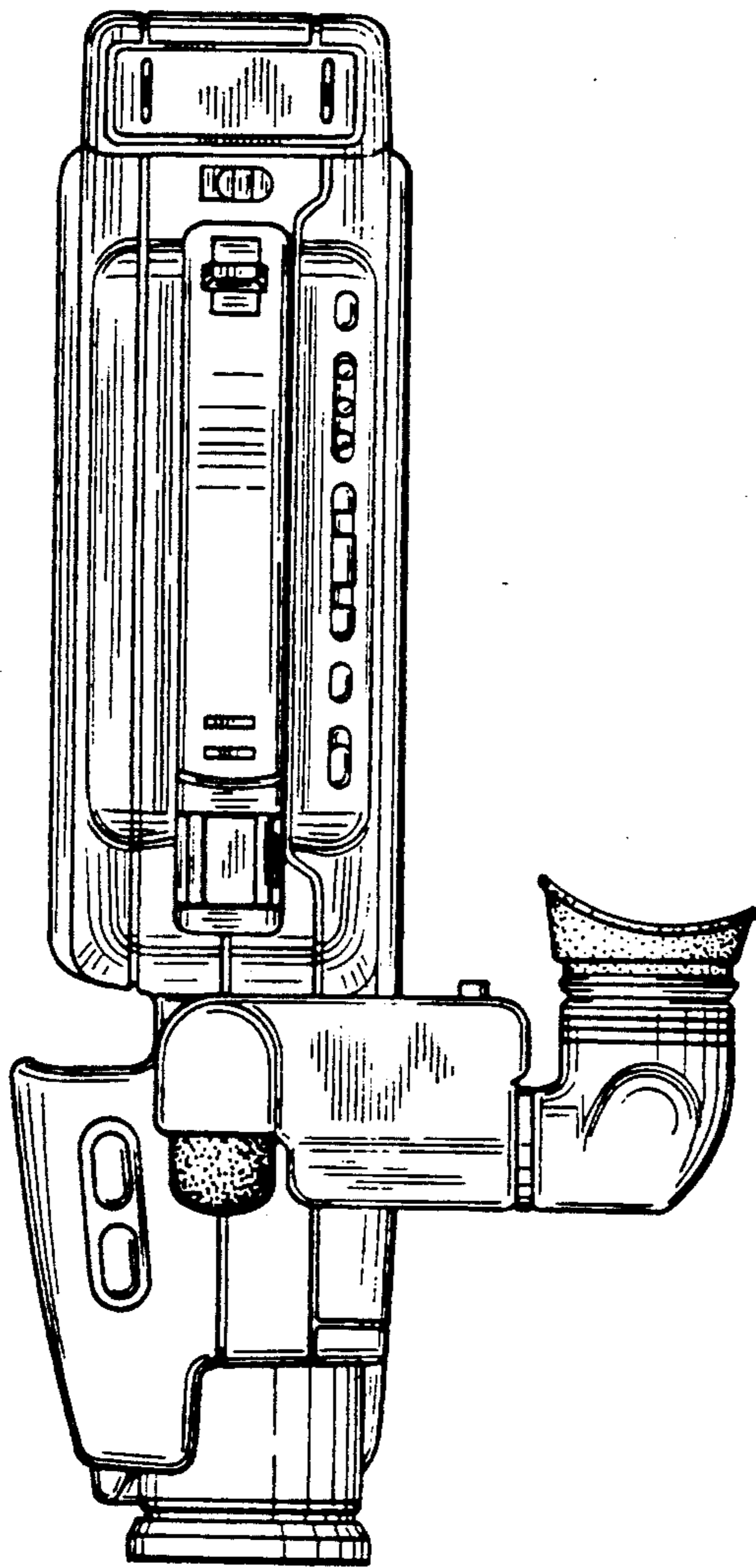


FIG. 8

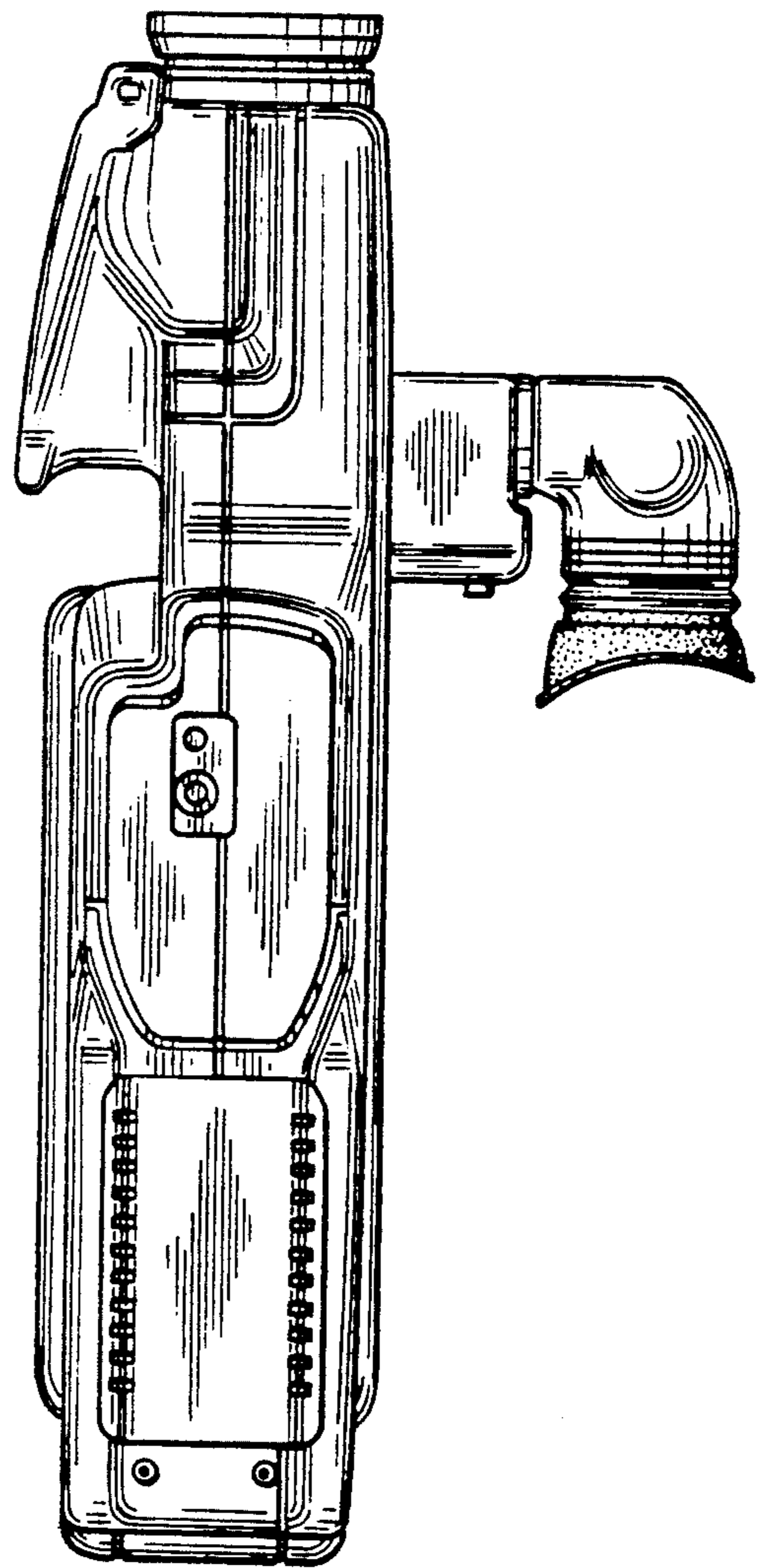


FIG. 9

