



US00D347849S

United States Patent [19]

[11] Patent Number: **Des. 347,849**

Onoda et al.

[45] Date of Patent: **** Jun. 14, 1994**

[54] VIDEO CAMERA WITH VIDEO TAPE RECORDER

[75] Inventors: **Akira Onoda; Koya Kurokawa**, both of Ehime, Japan

[73] Assignee: **Matsushita Electric Industrial Co., Ltd.**, Osaka, Japan

[**] Term: **14 Years**

[21] Appl. No.: **721,365**

[22] Filed: **Jun. 25, 1991**

[30] Foreign Application Priority Data

Dec. 27, 1990 [JP] Japan 2-44014

Dec. 27, 1990 [JP] Japan 2-44016

[52] U.S. Cl. **D16/202**

[58] Field of Search 352/34, 242; 354/82, 354/288; 358/229, 906; D16/200-206

[56] References Cited

U.S. PATENT DOCUMENTS

D. 281,684	12/1985	Hyuga et al.	D16/202
D. 313,608	1/1991	Ooi et al.	D16/202
D. 325,921	5/1992	Ooi et al.	D16/202
D. 334,394	3/1993	Kitakaze	D16/202
4,764,817	8/1988	Blazek et al.	358/906

OTHER PUBLICATIONS

Ritz Camera Catalog, (Panasonic PV-700).

Primary Examiner—Bernard Ansher
Assistant Examiner—Adir Aronovich
Attorney, Agent, or Firm—Sughrue, Mion, Zinn, Macpeak & Seas

[57] CLAIM

The ornamental design for a video camera with video tape recorder, as shown and described.

DESCRIPTION

FIG. 1 is a front, top and right side perspective view of a video camera with video tape recorder showing our new design;

FIG. 2 is a rear, top and left side perspective view thereof;

FIG. 3 is a front elevational view thereof;

FIG. 4 is a rear elevational view thereof;

FIG. 5 is a right side elevational view thereof;

FIG. 6 is a left side elevational view thereof;

FIG. 7 is a top plan view thereof;

FIG. 8 is a bottom plan view thereof; and,

FIG. 9 is a front, top and left side perspective view thereof, with the viewfinder thereof shifted to the left side thereof.

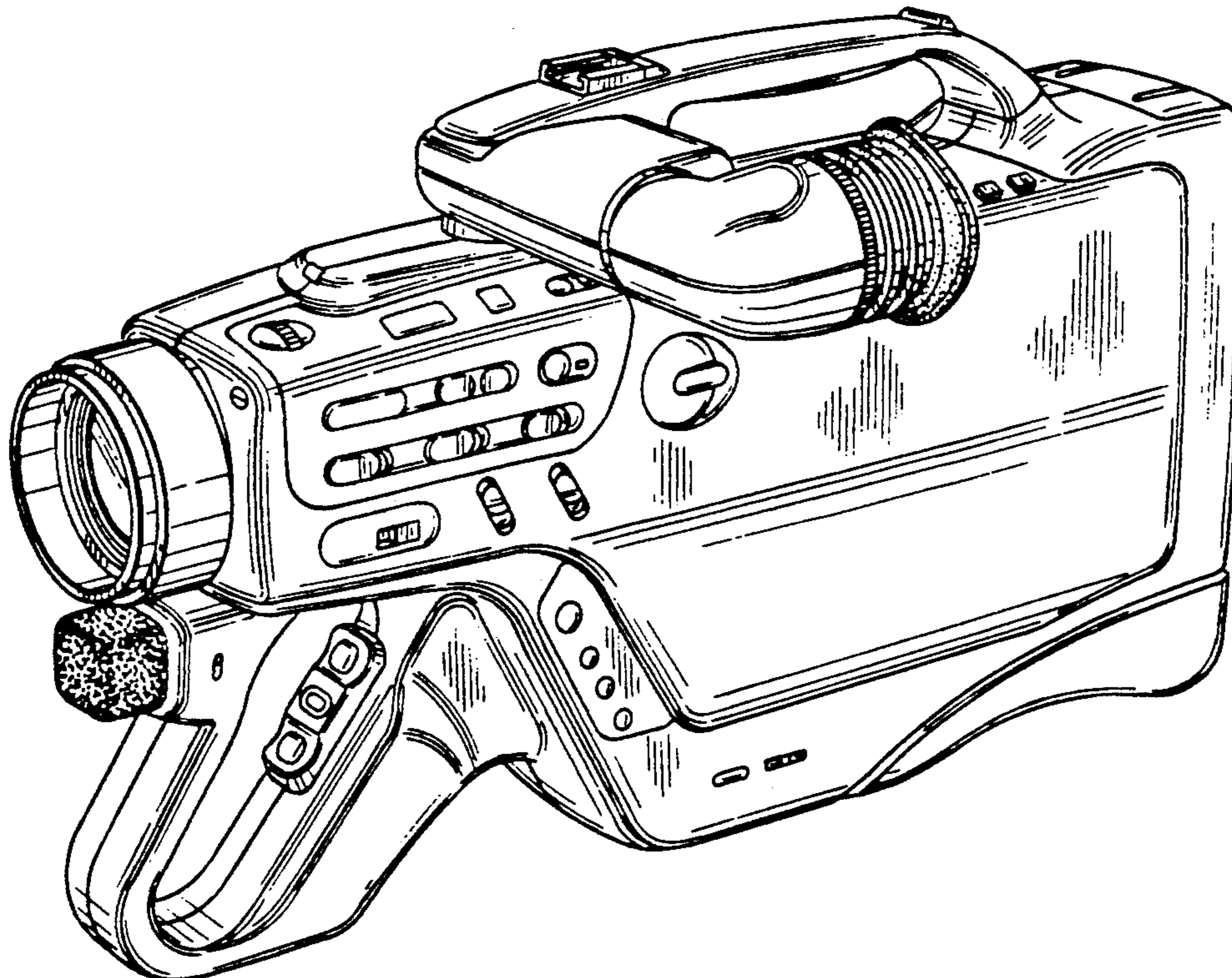


FIG. 1

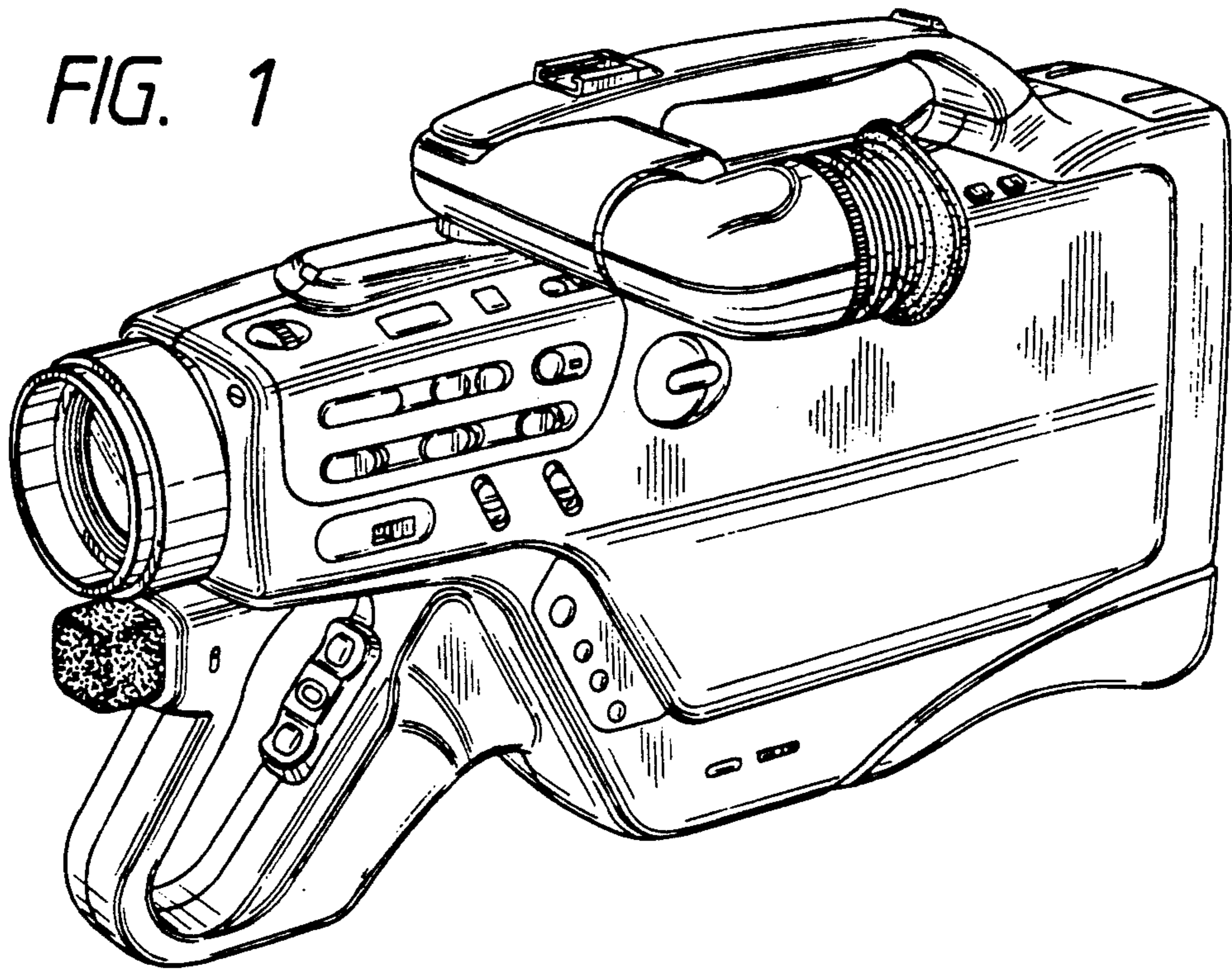


FIG. 2

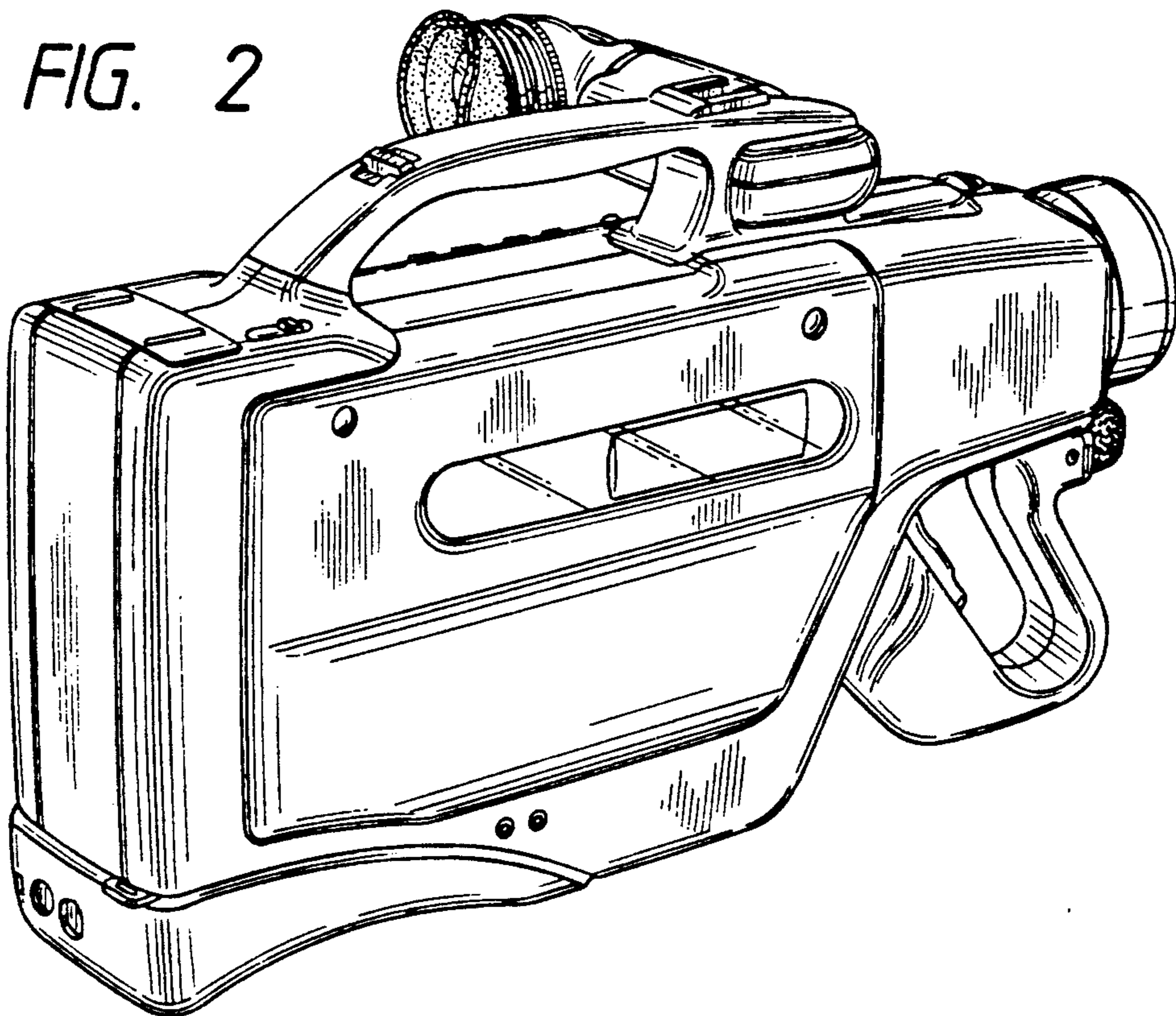


FIG. 3

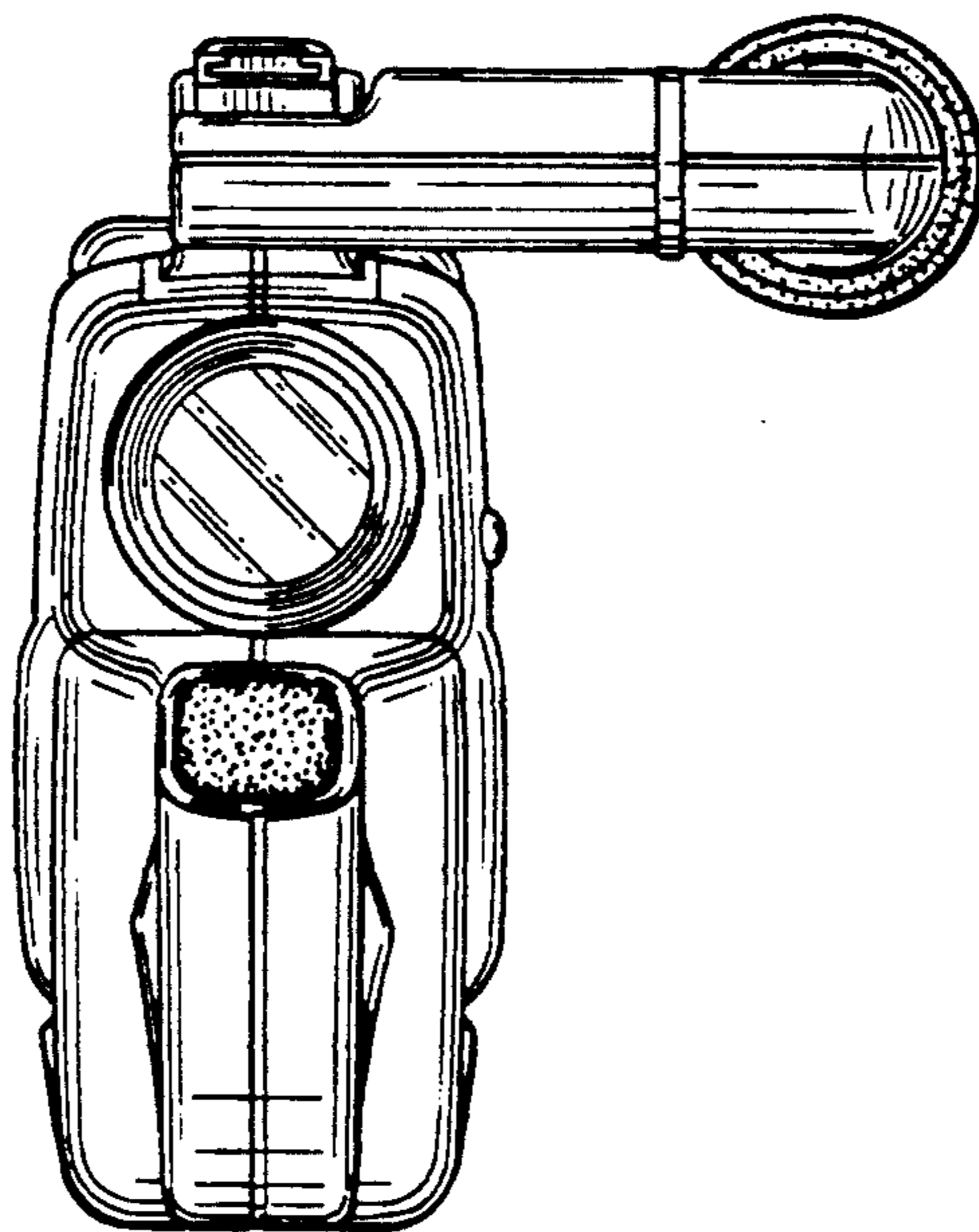


FIG. 4

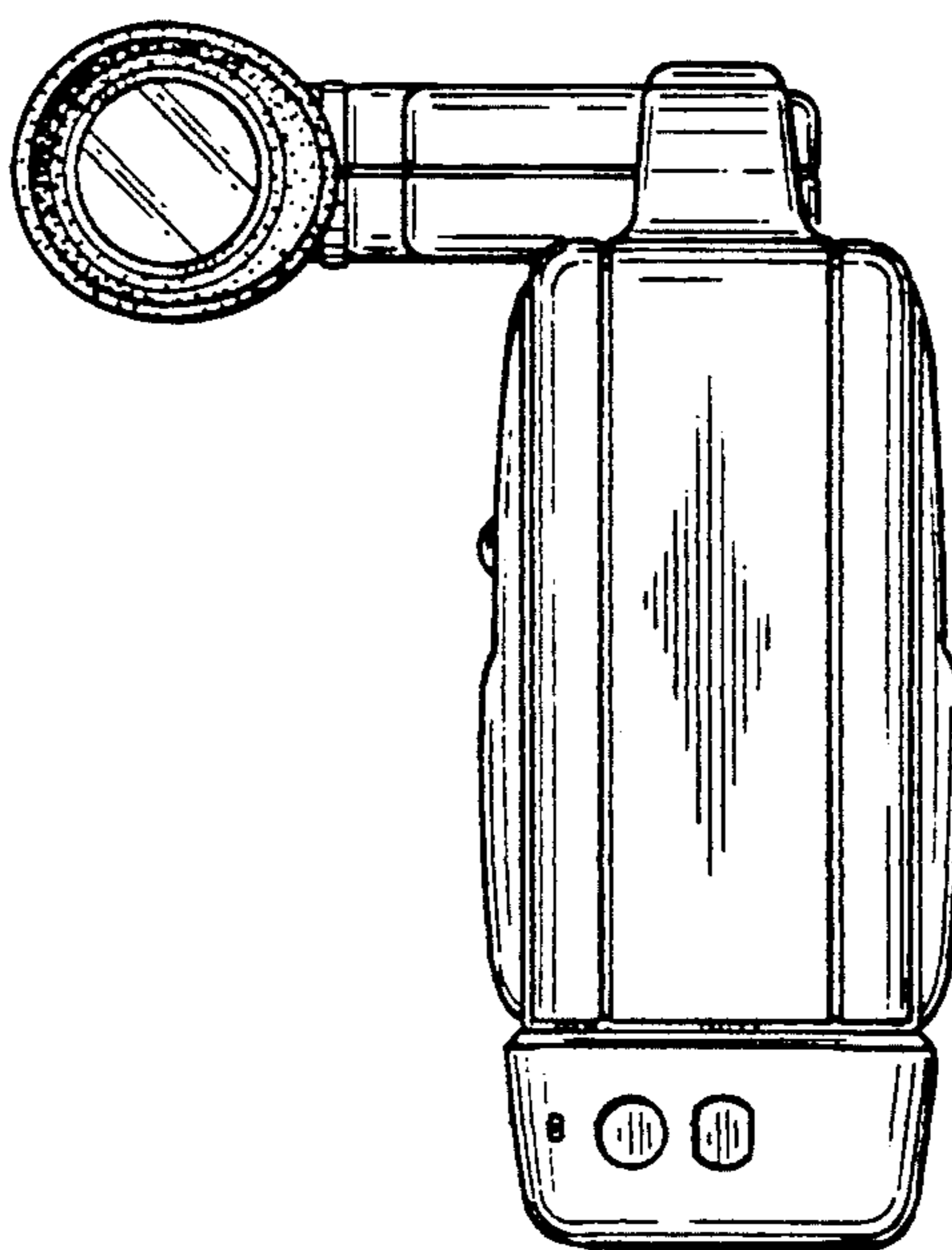


FIG. 5

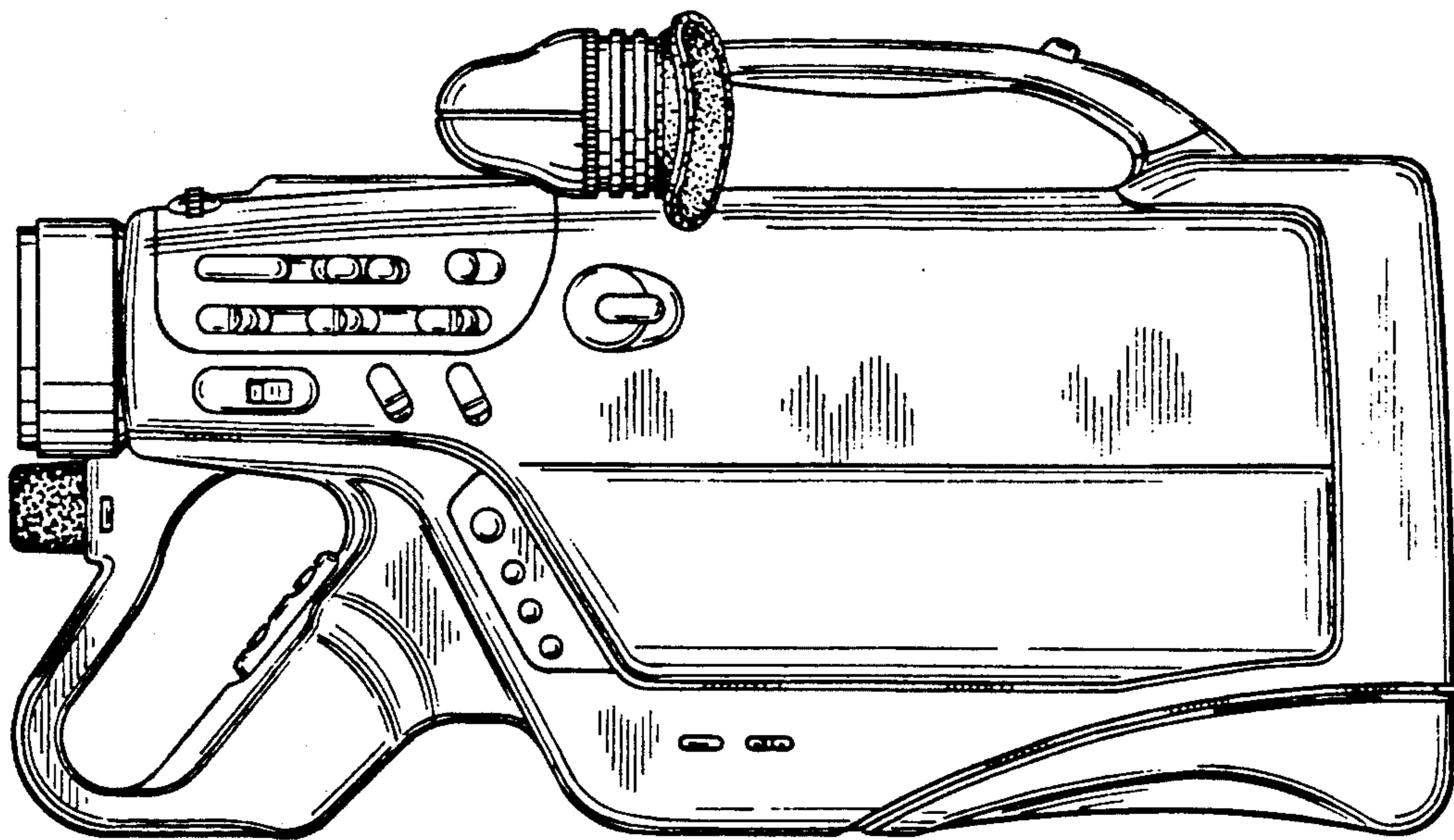


FIG. 6

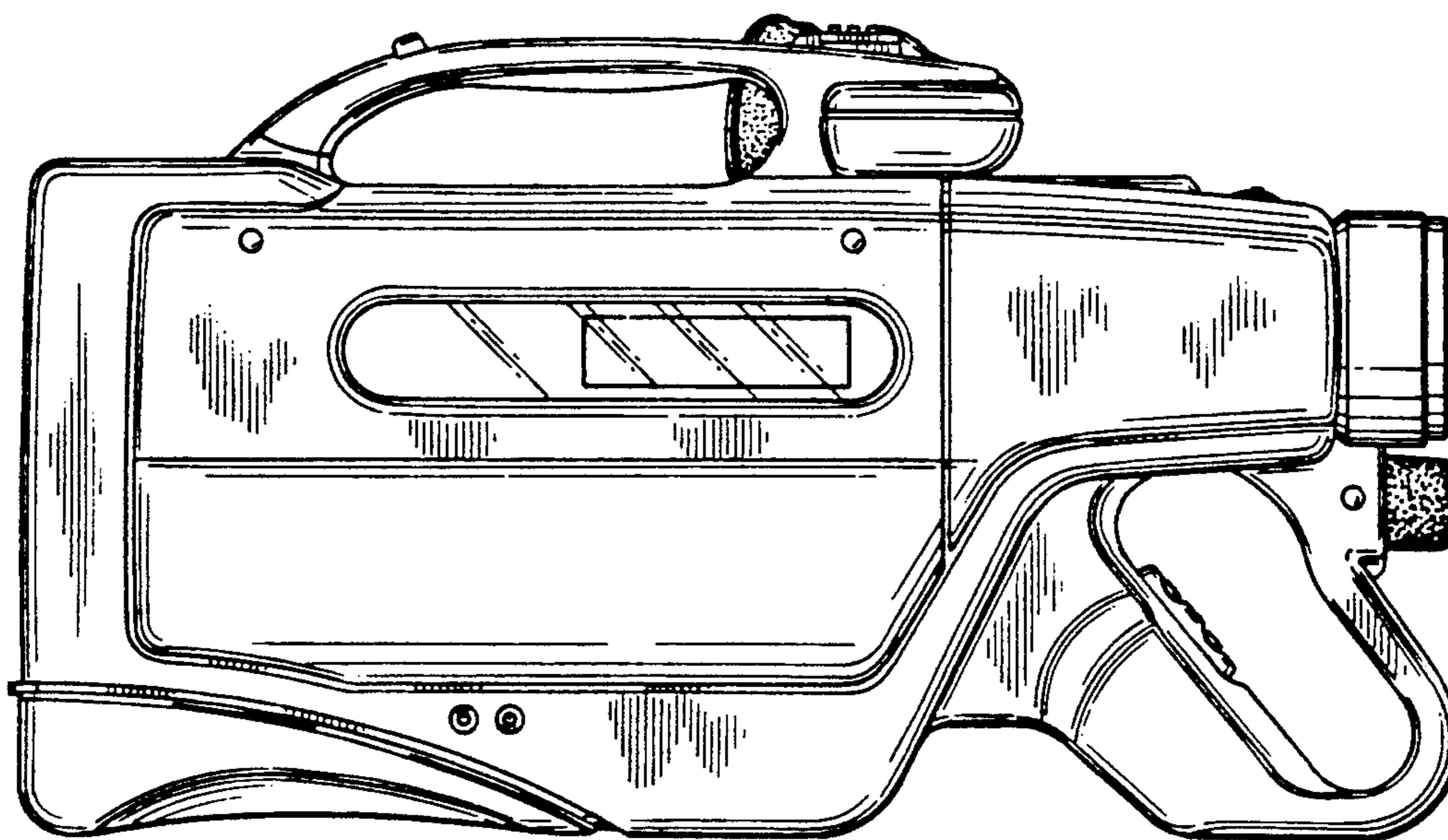


FIG. 7

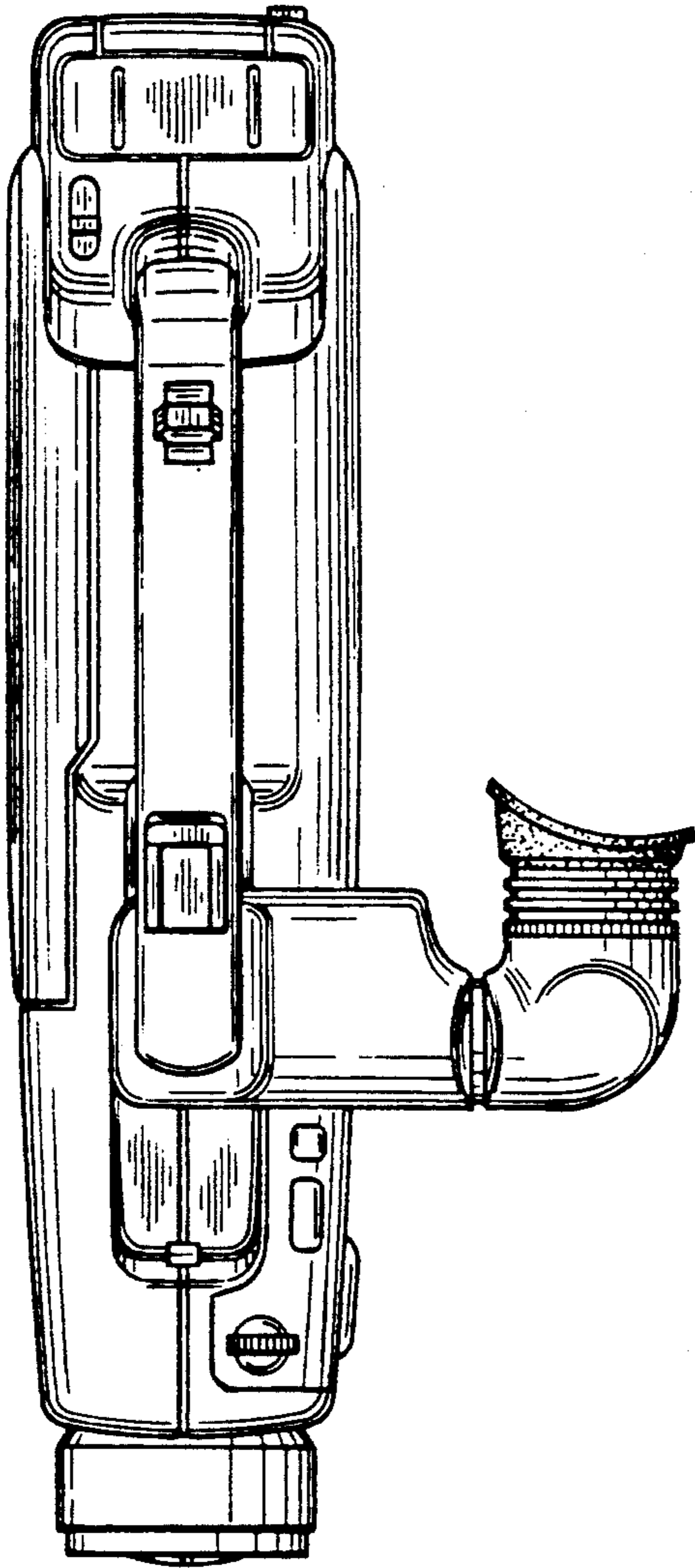
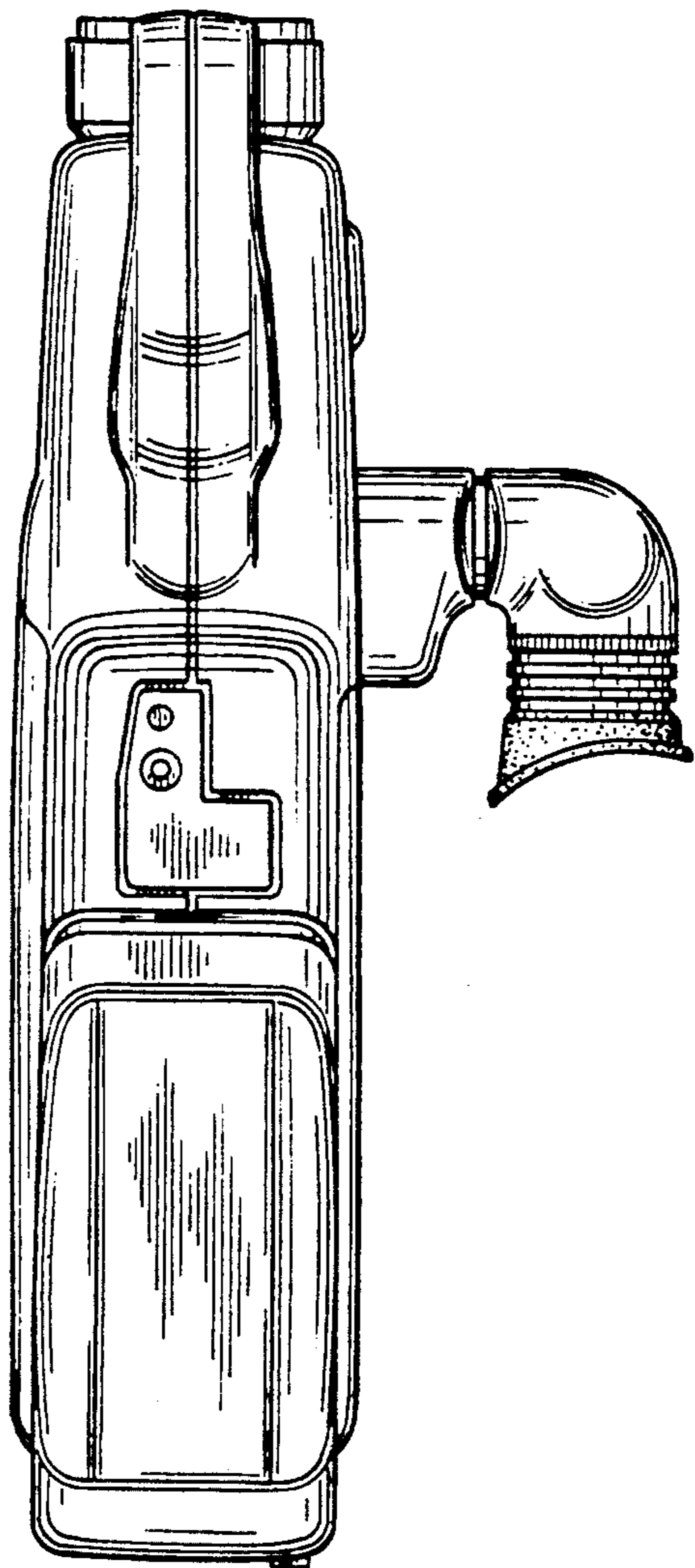


FIG. 8



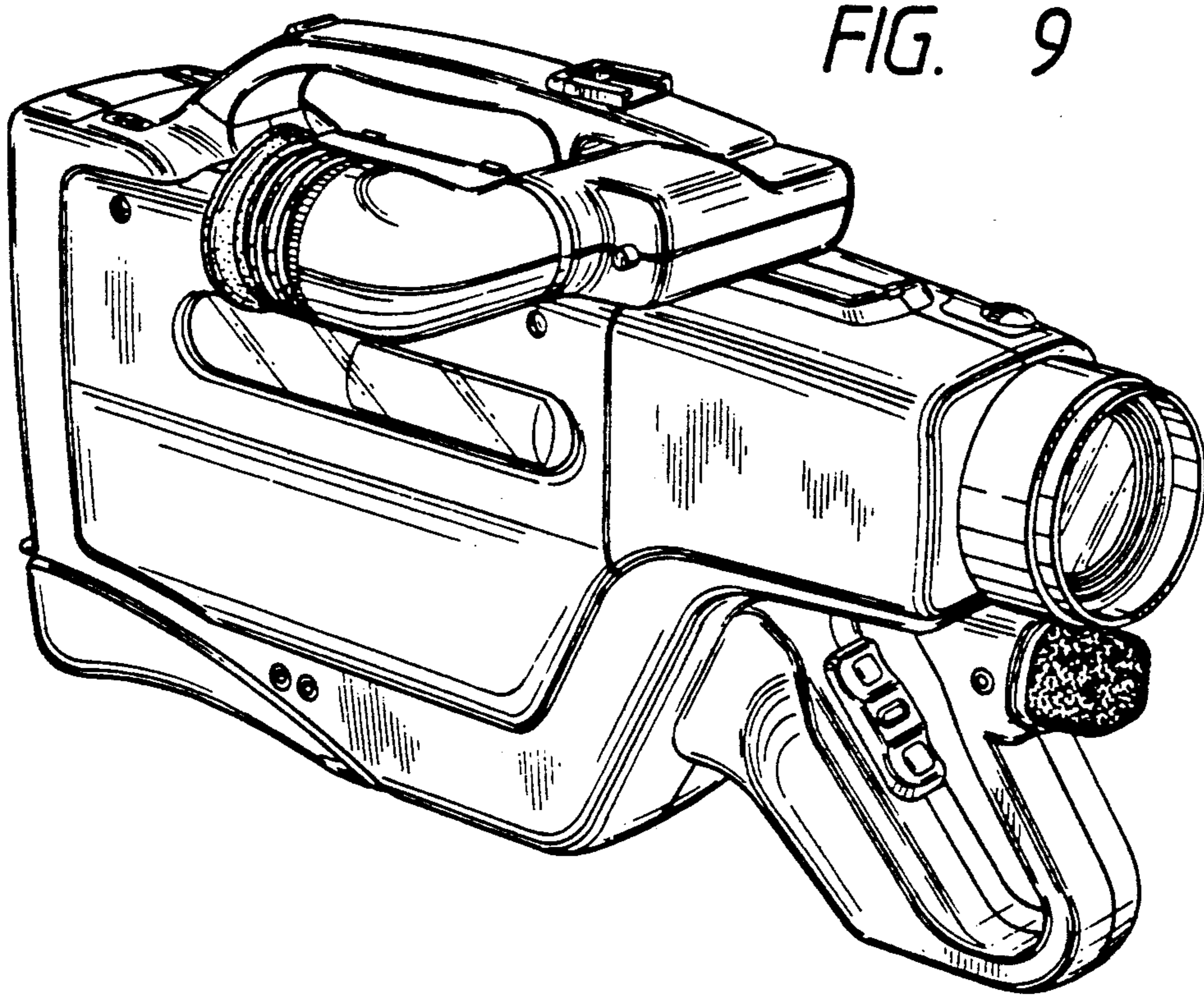


FIG. 9