



US00D347846S

United States Patent [19]

Derreberry et al.

[11] Patent Number: **Des. 347,846**

[45] Date of Patent: **** Jun. 14, 1994**

[54] **GRILL GUARD FOR A TRACTOR**

[76] Inventors: **Danny Derreberry**, 7179 Virginia Rd., Atwater, Ohio 44201; **Robert Moore**, 550 W. Main St., Canfield, Ohio 44406

[**] Term: **14 Years**

[21] Appl. No.: **903,863**

[22] Filed: **Jun. 25, 1992**

[52] U.S. Cl. **D15/28**

[58] Field of Search 49/50, 57; 293/38, 115, 293/144, 146, 148; D12/169, 171; D15/22-26, 28, 31

D. 333,457	2/1993	LaFoe et al.	D12/171
2,699,964	1/1955	Hartung	D12/171
2,880,016	3/1959	Peterson	D12/171
4,469,360	9/1984	Drury	293/144

Primary Examiner—Bernard Ansher
Assistant Examiner—Sandra Morris
Attorney, Agent, or Firm—Renner, Kenner, Greive, Bobak, Taylor & Weber

[57] CLAIM

The ornamental design for a grill guard for a tractor, as shown and described.

DESCRIPTION

FIG. 1 is a perspective view of a grill guard for a tractor, showing our new design;
FIG. 2 is a left elevational view of the grill guard of FIG. 1 shown in an upright position;
FIG. 3 is a top plan view thereof;
FIG. 4 is a front elevational view thereof;
FIG. 5 is a rear elevational view thereof;
FIG. 6 is a bottom plan view thereof; and,
FIG. 7 is an exploded perspective view thereof.

[56] References Cited

U.S. PATENT DOCUMENTS

D. 143,970	2/1946	Heath	D15/28
D. 272,827	2/1984	Sapelak	D15/28
D. 300,420	3/1989	Trinnaman	D12/171
D. 308,037	5/1990	Aiken	D12/171
D. 308,957	7/1990	Bennie	D12/171

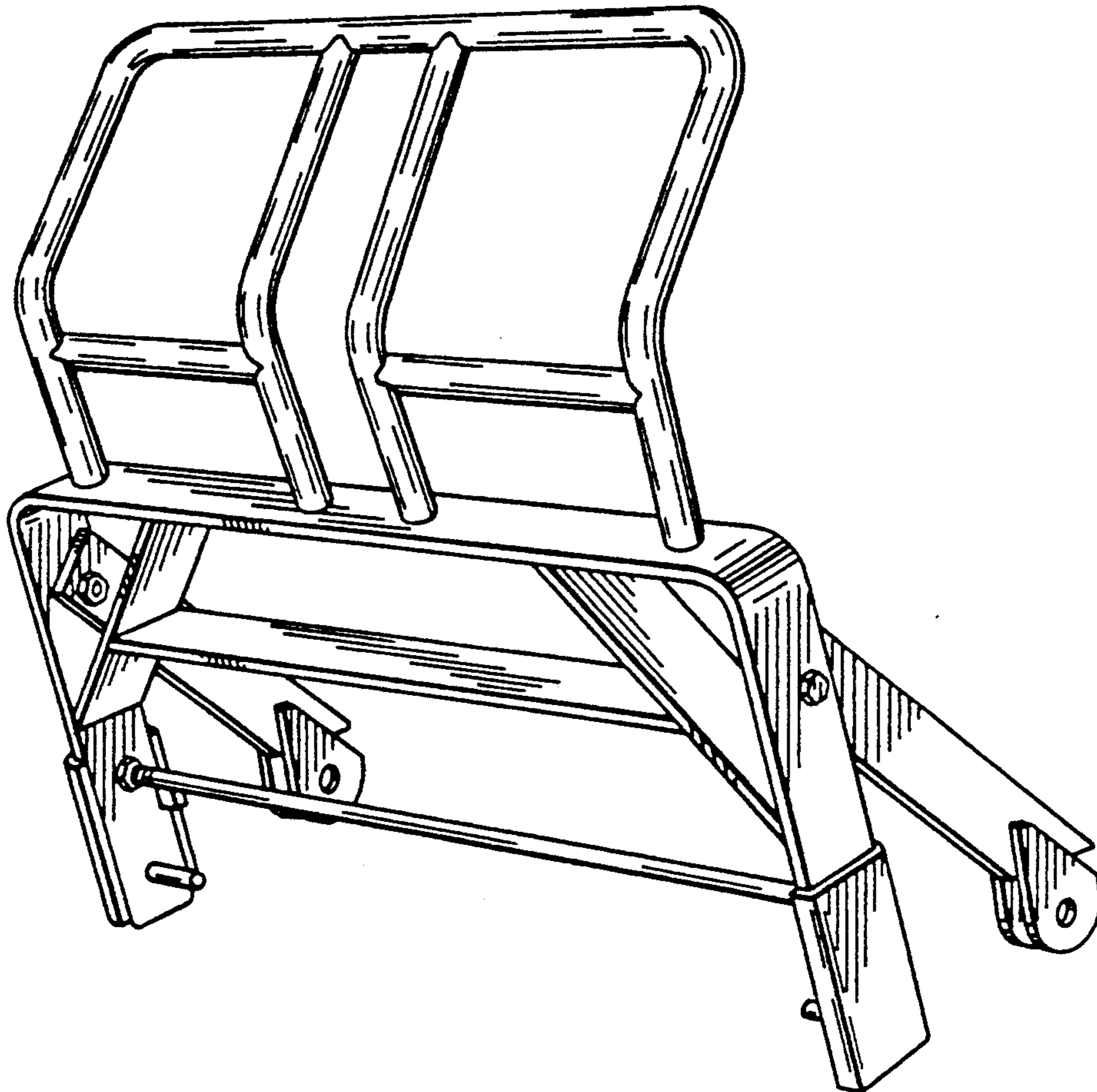


FIG. 1

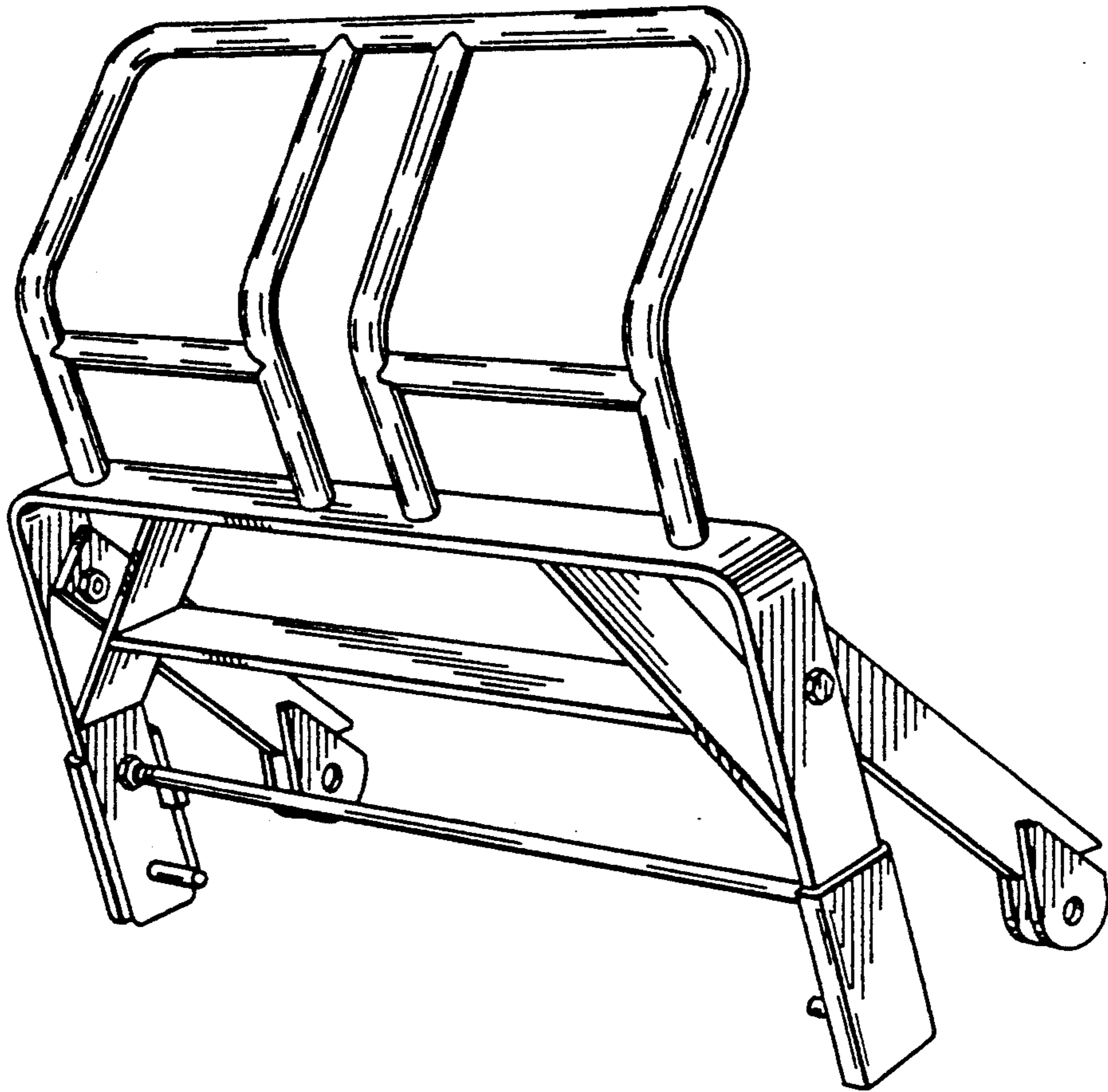


FIG. 2

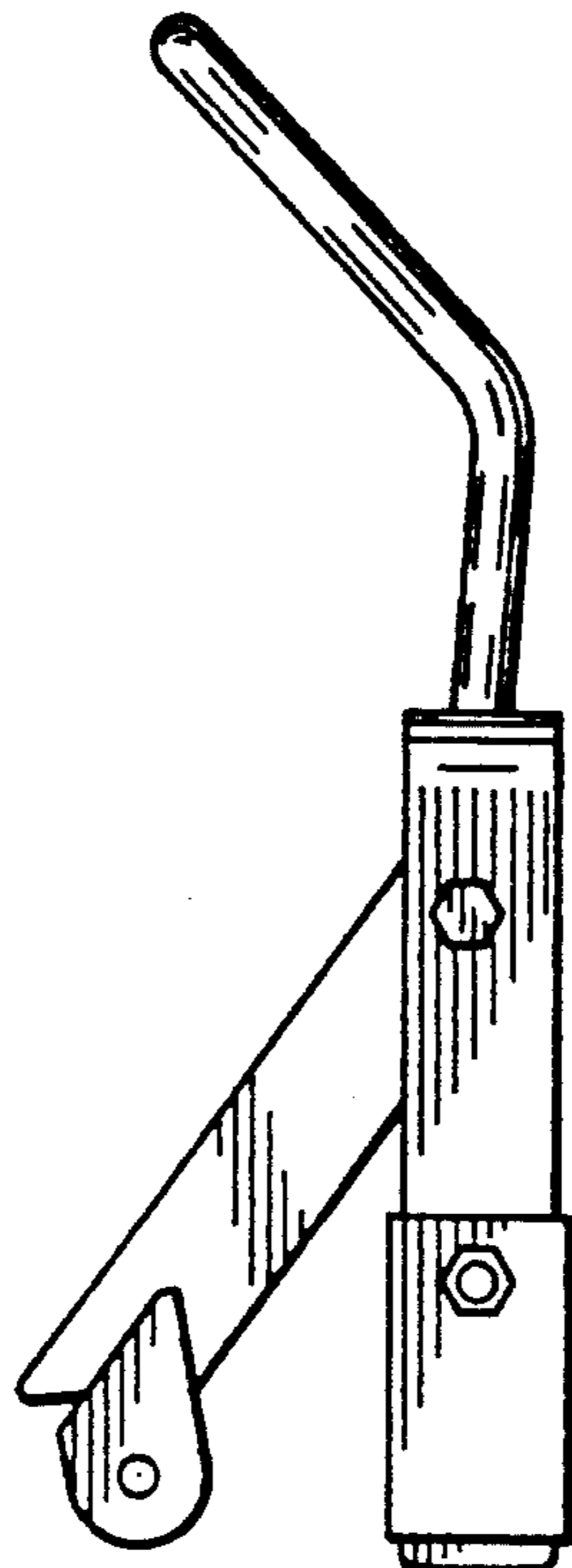


FIG. 3

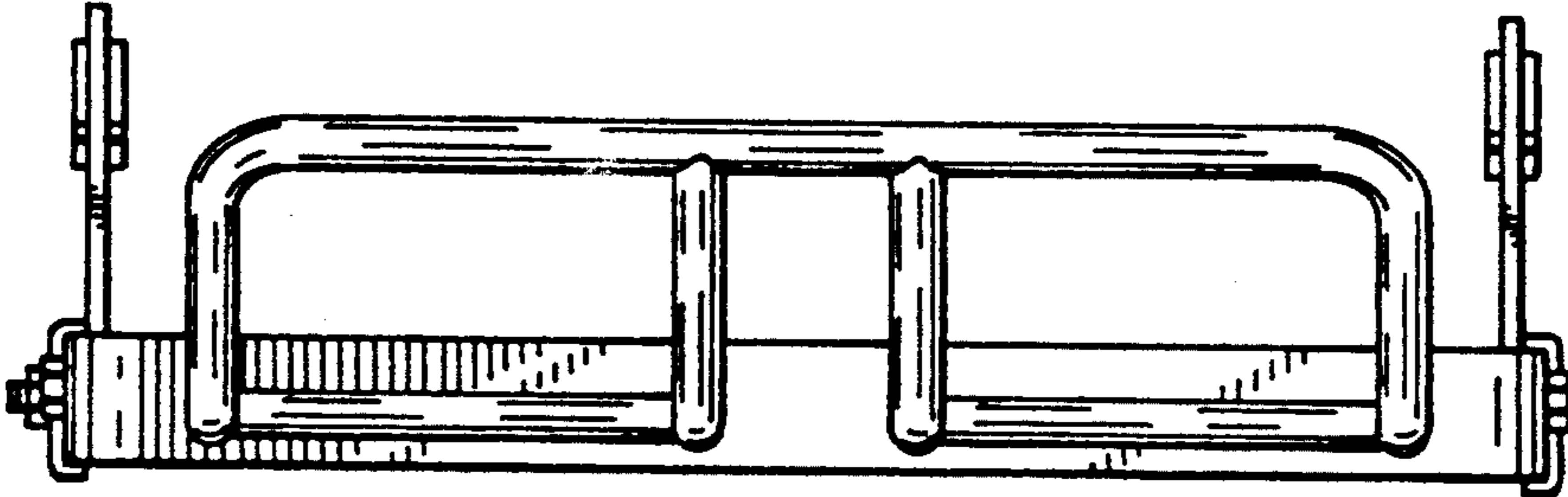


FIG. 4

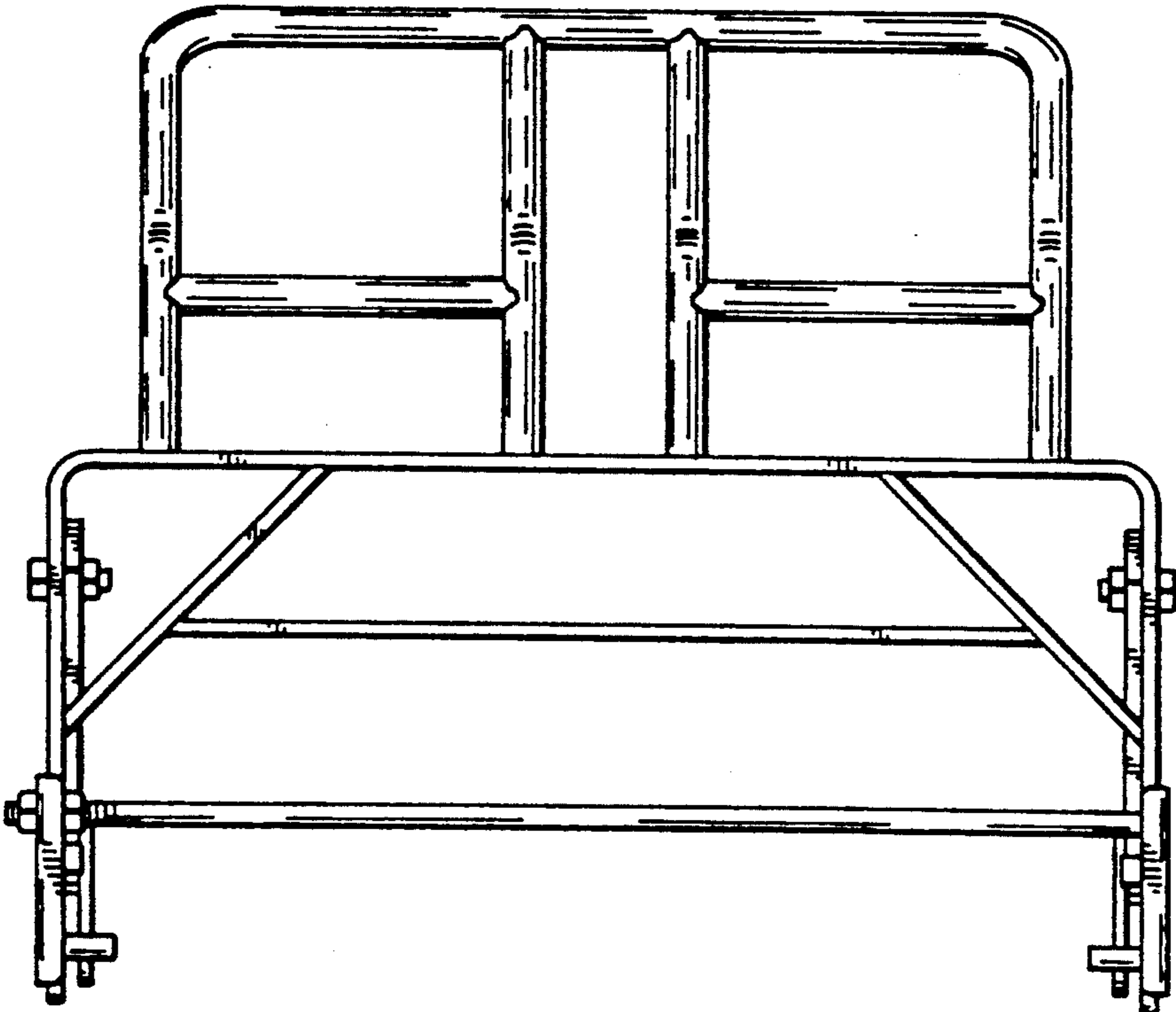


FIG. 5

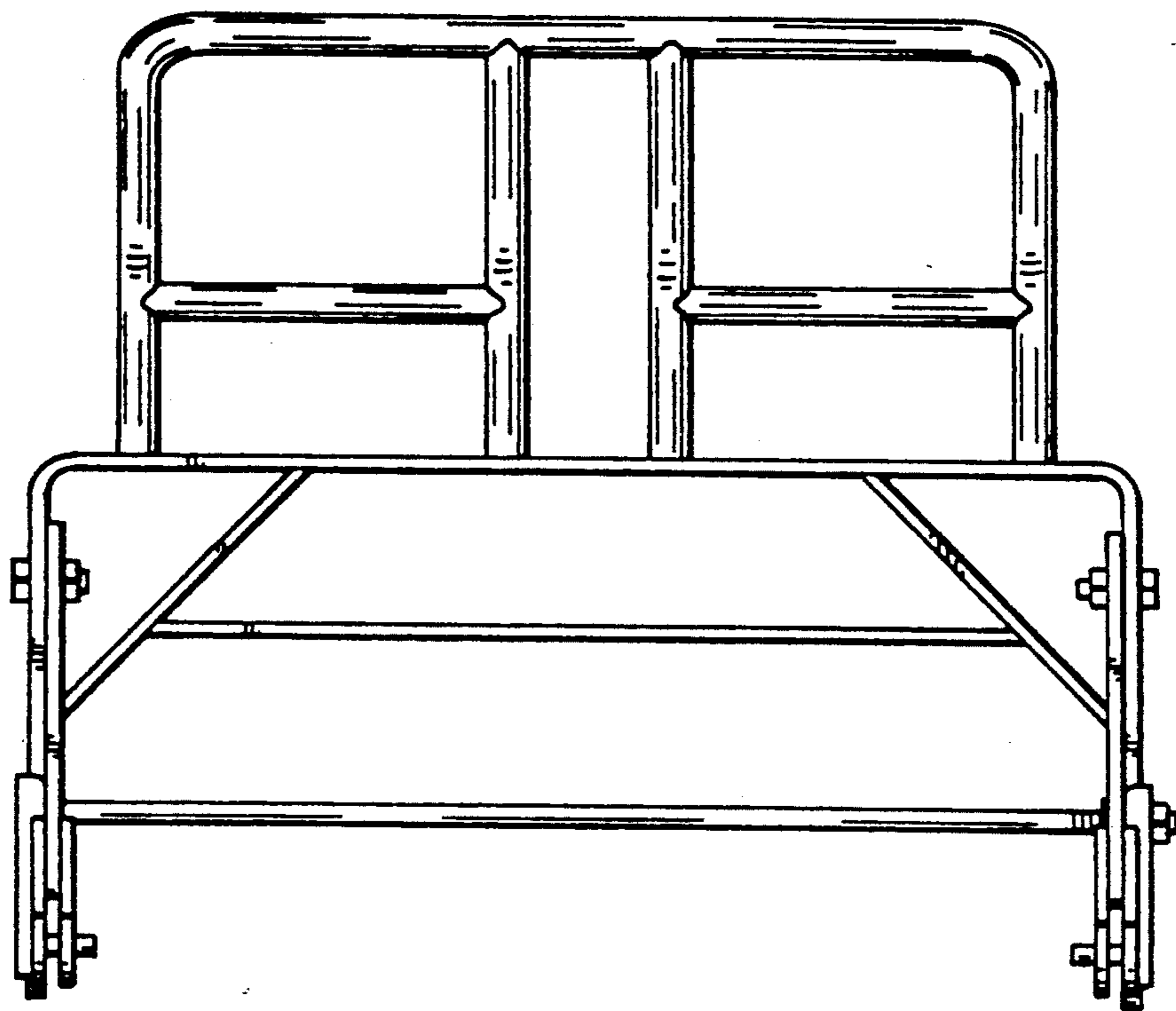


FIG. 6

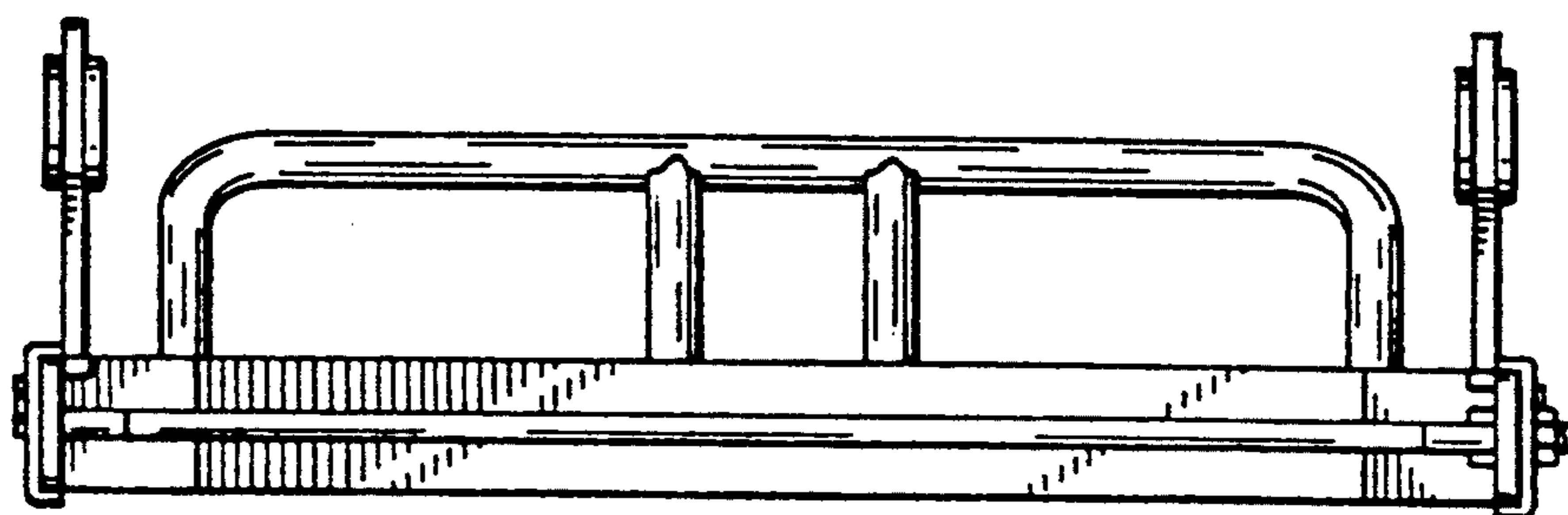


FIG. 7

