



US00D347843S

# United States Patent [19]

[11] Patent Number: **Des. 347,843**

Iribe et al.

[45] Date of Patent: **\*\* Jun. 14, 1994**

[54] **TAPE PLAYER**

D. 330,552 10/1992 Tsuchiya ..... D14/165  
D. 336,296 6/1993 Wada ..... D14/165

[75] Inventors: **Toshio Iribe; Hisanori Narita**, both of Tokyo, Japan

*Primary Examiner*—Theodore M. Shooman  
*Attorney, Agent, or Firm*—Lewis H. Eslinger; Jay H. Maioli

[73] Assignee: **Sony Corporation**, Tokyo, Japan

[\*\*] Term: **14 Years**

[57] **CLAIM**

[21] Appl. No.: **915,375**

The ornamental design for a tape player, as shown and described.

[22] Filed: **Jul. 20, 1992**

[30] **Foreign Application Priority Data**

**DESCRIPTION**

Mar. 27, 1992 [JP] Japan ..... 4-8953

FIG. 1 is a top plan view of a tape player showing our new design;

[52] U.S. Cl. .... **D14/165; D14/163**

FIG. 2 is a left-side elevational view thereof;

[58] Field of Search ..... **D14/124, 160-172, D14/188, 265, 299**

FIG. 3 is a front elevational view thereof;

FIG. 4 is a right-side elevational view thereof;

[56] **References Cited**

**U.S. PATENT DOCUMENTS**

D. 312,638 12/1990 Hino et al. .... D14/165

D. 319,238 8/1991 Taniguchi ..... D14/165

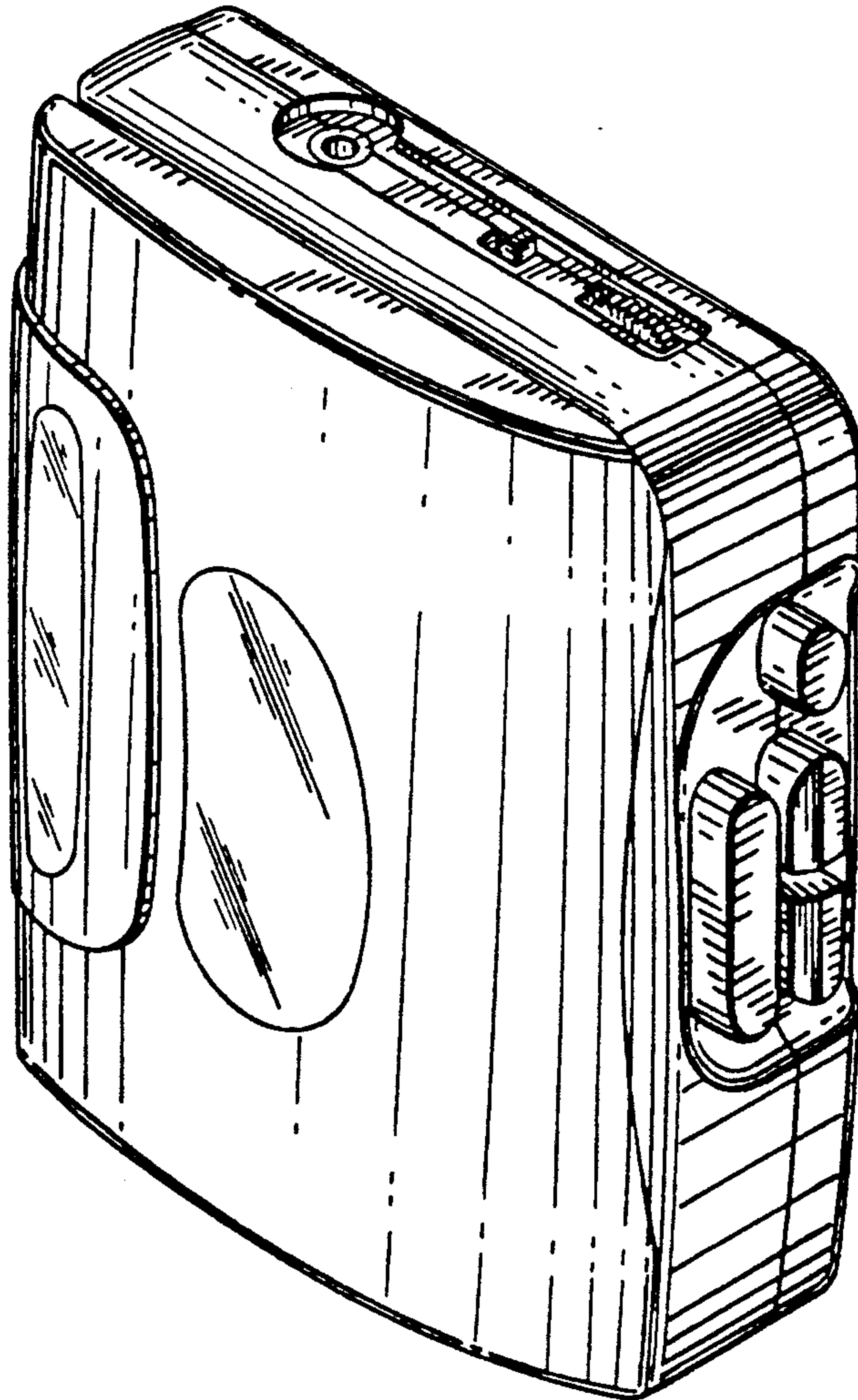
D. 320,017 9/1991 Ikeyama et al. .... D14/165

FIG. 5 is a rear elevational view thereof;

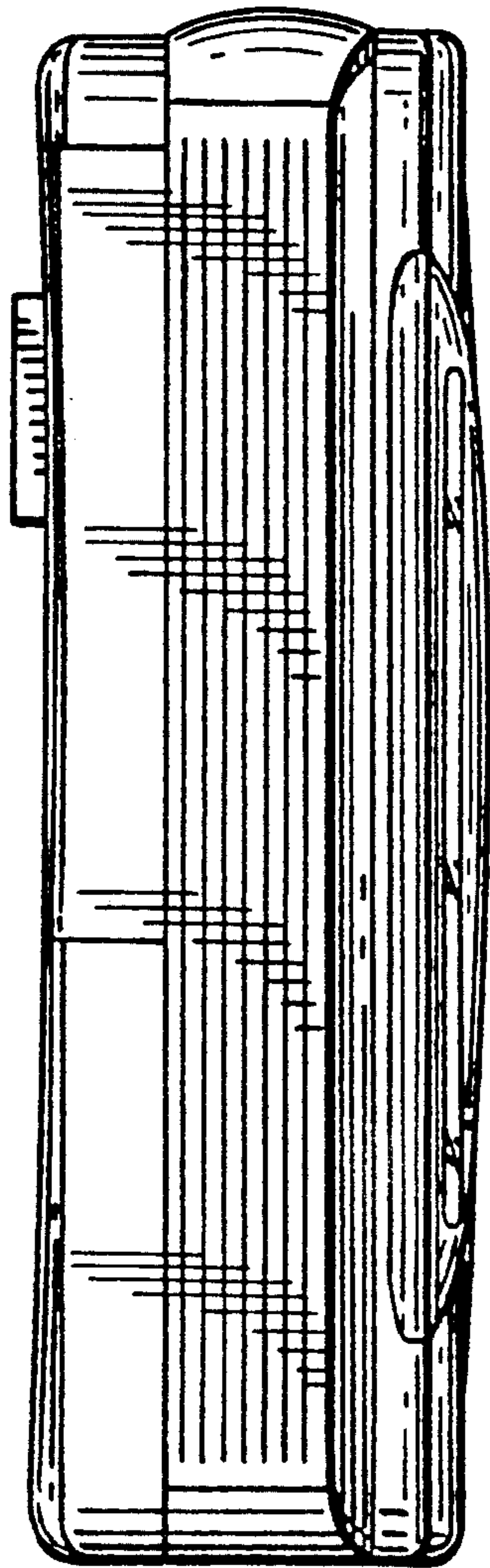
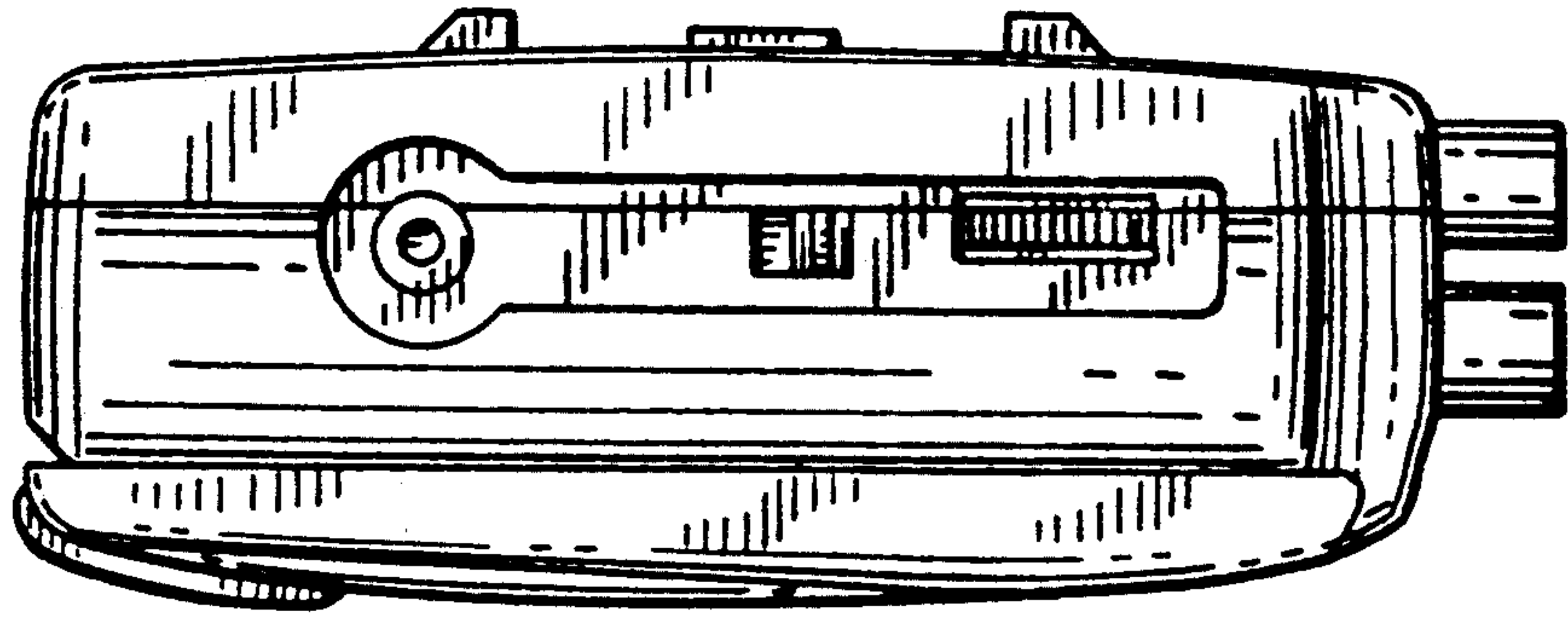
FIG. 6 is a bottom plan view thereof;

FIG. 7 is a top, front and right-side perspective view thereof; and,

FIG. 8 is a top, front and right-side perspective view thereof, shown in the open position.

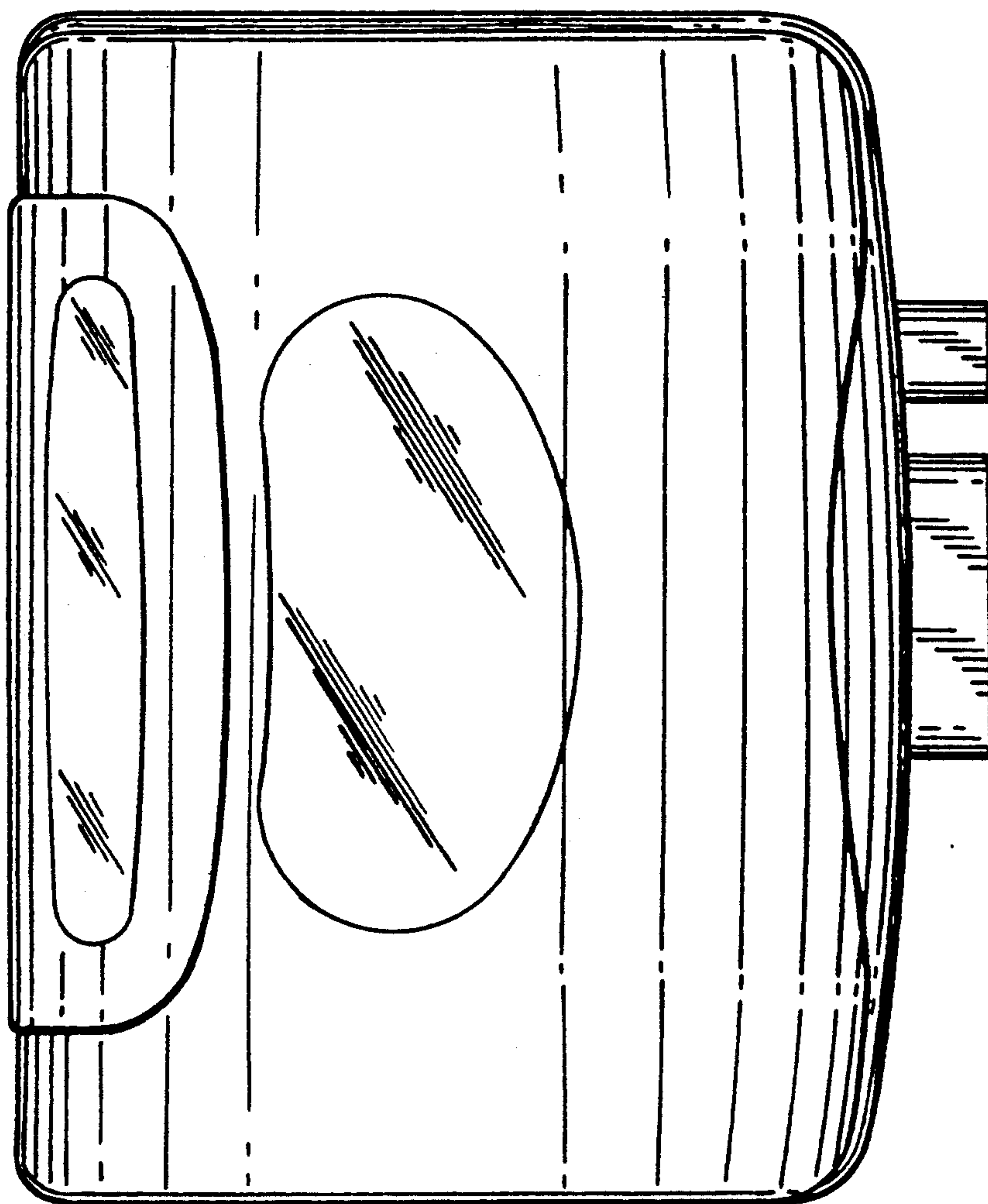


*FIG. 1*



*FIG. 2*

*FIG. 3*



*FIG. 6*

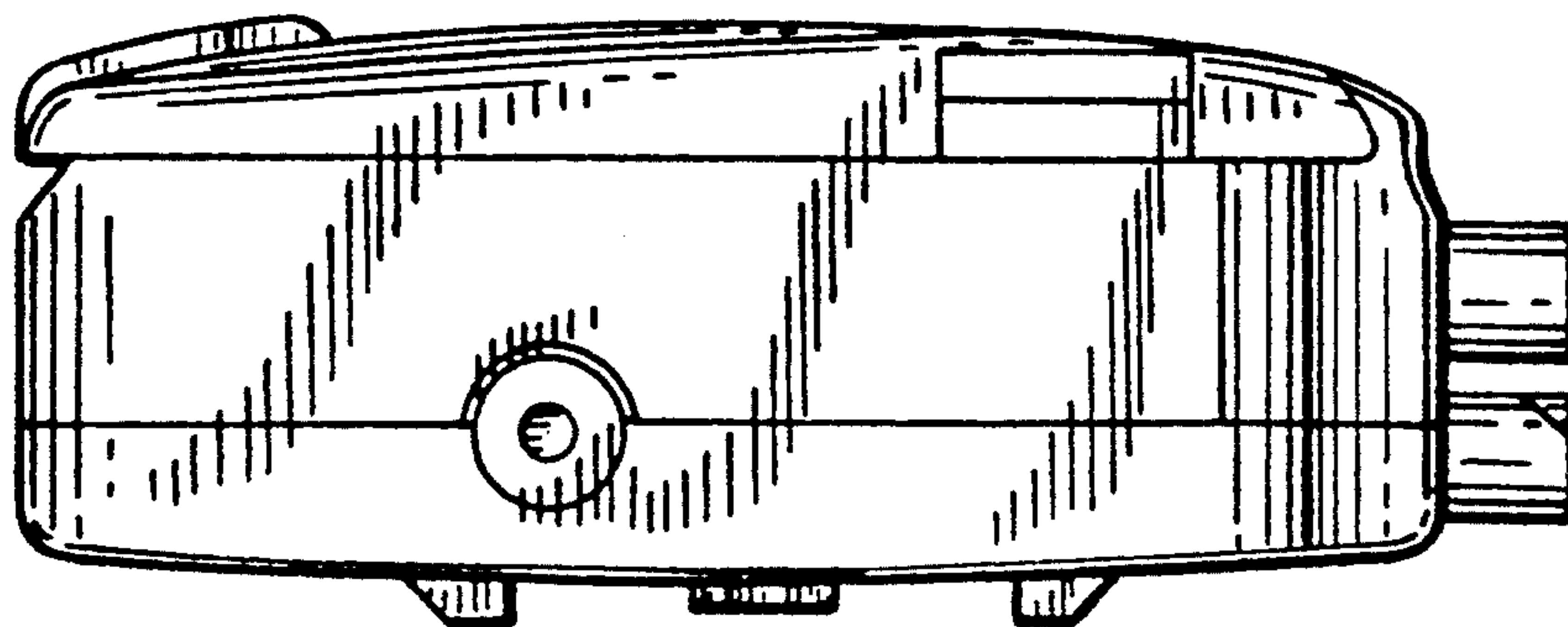


FIG. 5

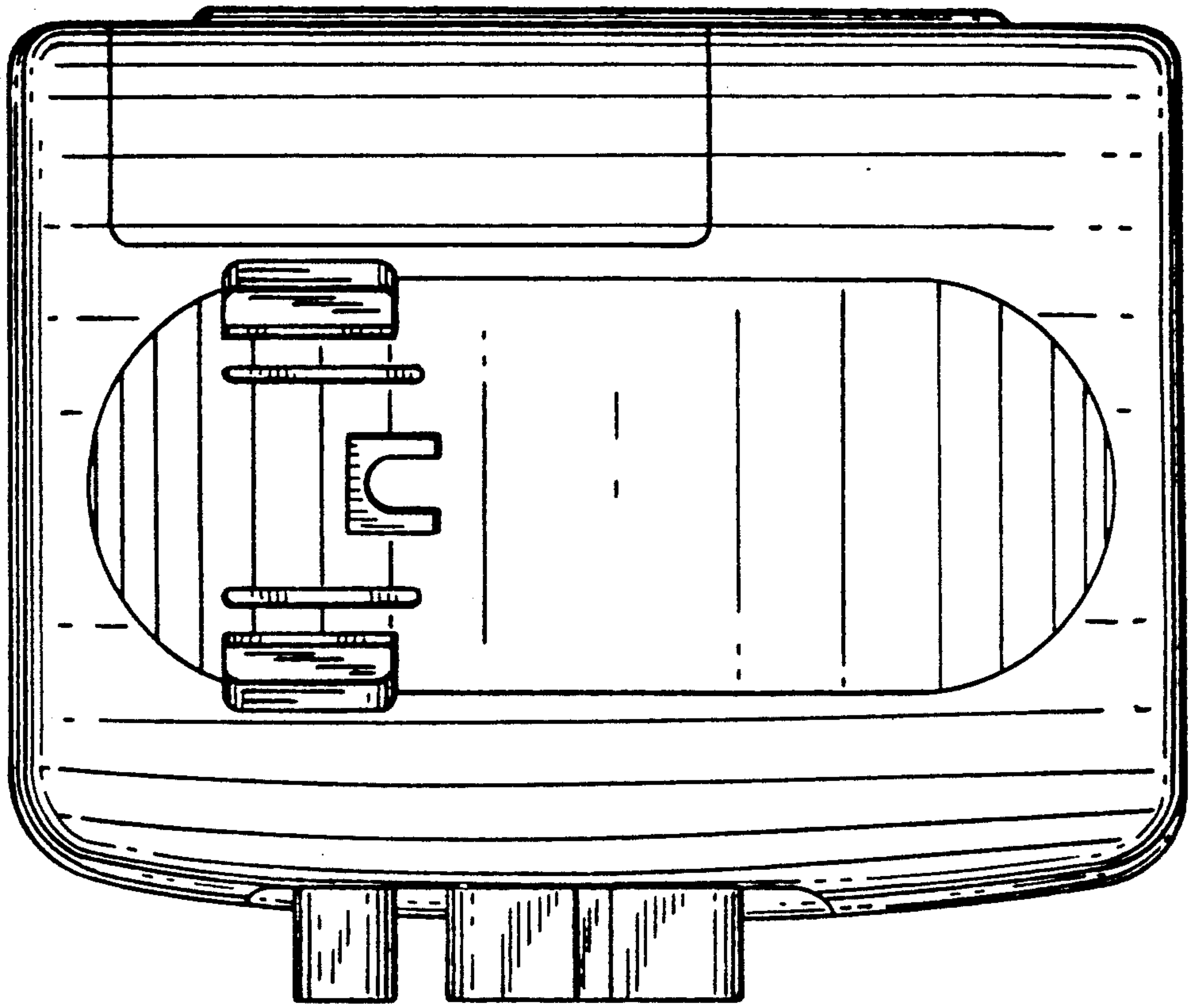


FIG. 4

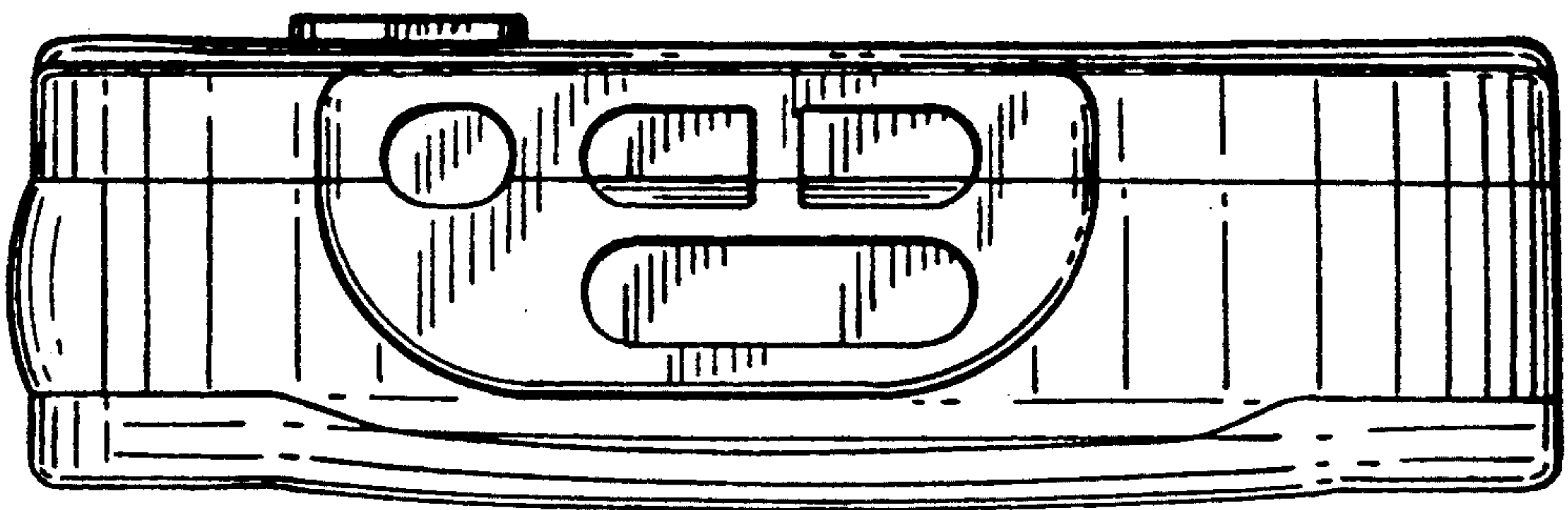




FIG. 7

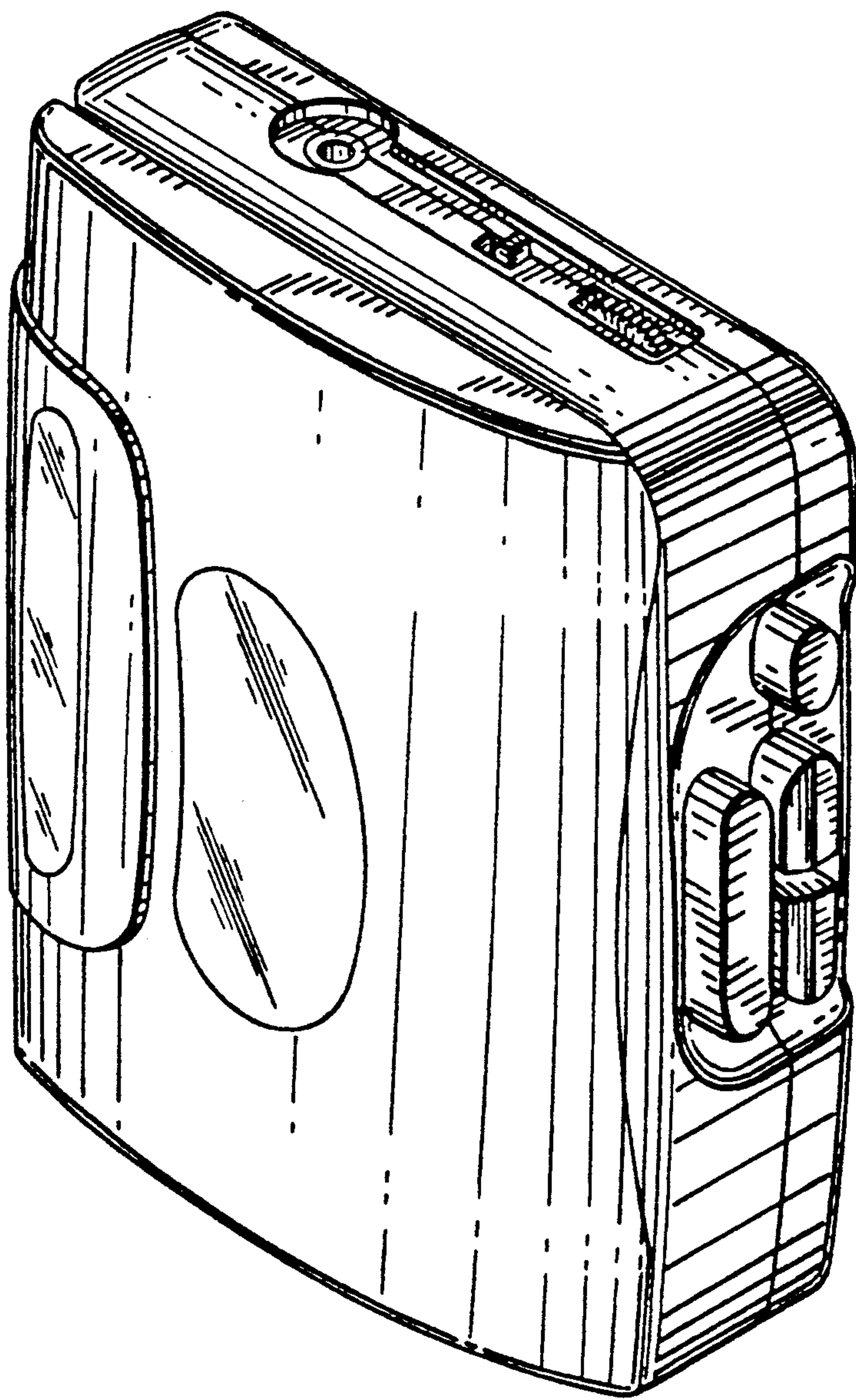


FIG. 8

