



US00D347841S

United States Patent [19]

[11] Patent Number: **Des. 347,841**

Rossman et al.

[45] Date of Patent: **** Jun. 14, 1994**

[54] **COMPUTER MONITOR ARM**

4,834,329 5/1989 Delapp 248/371 X
4,854,538 8/1989 Von Schalscha 248/346

[75] Inventors: **Jon Rossman**, Chelmsford, Mass.;
Edward L. Hames, Peerborough,
N.H.

OTHER PUBLICATIONS

Curtis Manufacturing Company, Inc.'s 1991 Product
Brochure—Published in Jaffrey, N.H.

[73] Assignee: **Curtis Manufacturing Company, Inc.**,
Jaffrey, N.H.

Primary Examiner—Wallace R. Burke
Assistant Examiner—M. H. Tung
Attorney, Agent, or Firm—Richard P. Crowley

[**] Term: **14 Years**

[57] **CLAIM**

[21] Appl. No.: **276**

The ornamental design for computer monitor arm, as
shown and described.

[22] Filed: **Oct. 9, 1992**

[52] U.S. Cl. **D14/114**

[58] Field of Search 248/371, 278, 346, 185,
248/586, 280.1, 176-183, 231.7; D6/429, 512,
553, 567, 574; D8/380, 355, 363, 373; D14/114

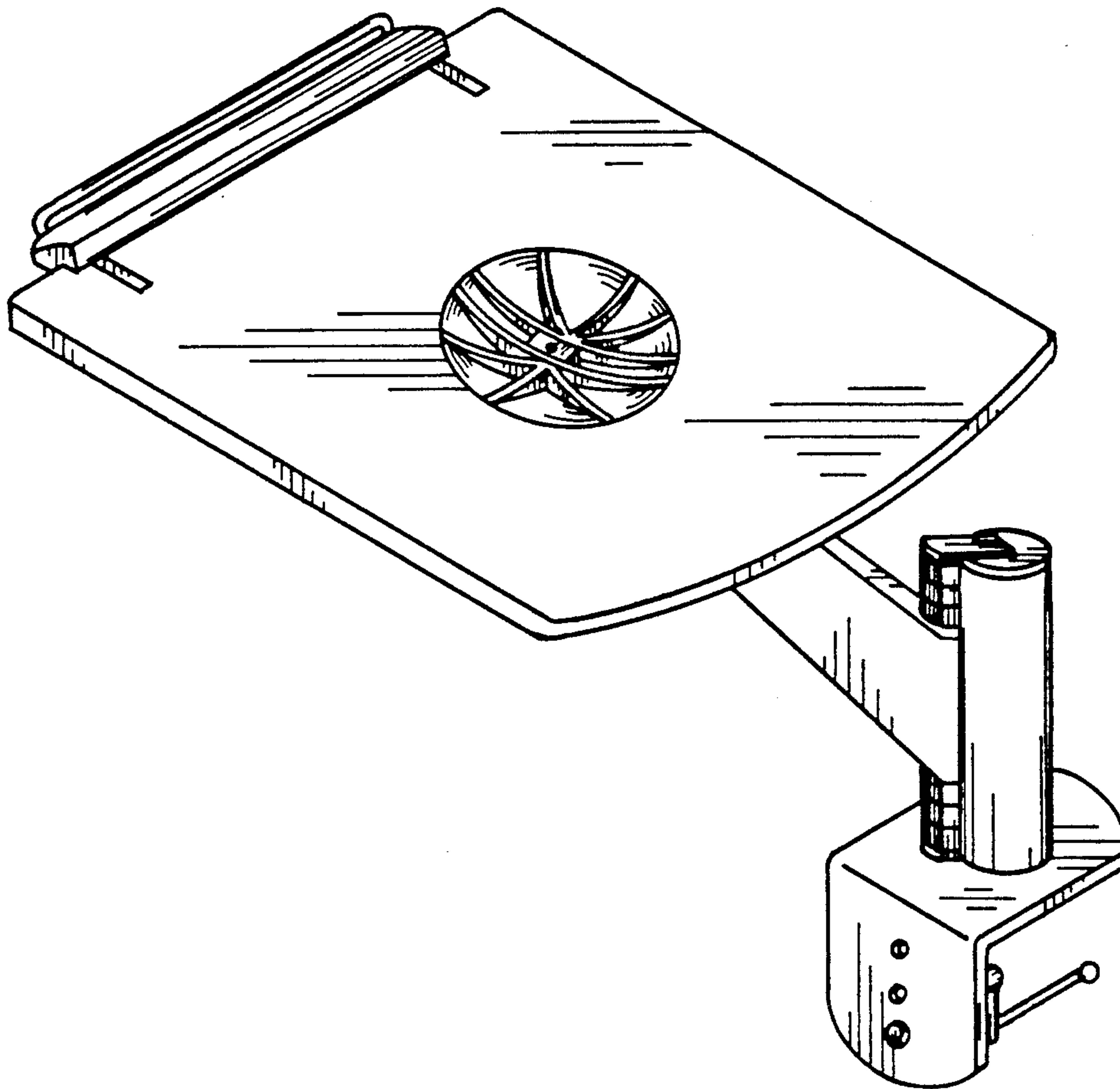
DESCRIPTION

[56] **References Cited**

U.S. PATENT DOCUMENTS

D. 323,323	1/1992	Klaebel	D14/114
D. 325,868	5/1992	Bartok .	
D. 331,921	12/1992	Gurke et al.	D14/114
4,183,489	1/1980	Copher et al.	248/278
4,729,533	3/1988	Hillary et al.	248/290 X
4,768,744	9/1988	Leeds et al.	248/280.1

FIG. 1 is a top perspective view of a computer monitor
arm in use position;
FIG. 2 is a side elevational view of the design of FIG.
1, the opposite side is a mirror image;
FIG. 3 is a top plan view of the design of FIG. 1;
FIG. 4 is a bottom plan view of the design of FIG. 1;
FIG. 5 is a front elevational view of the design of FIG.
1; and,
FIG. 6 is a rear elevational view of the design of FIG.
1.



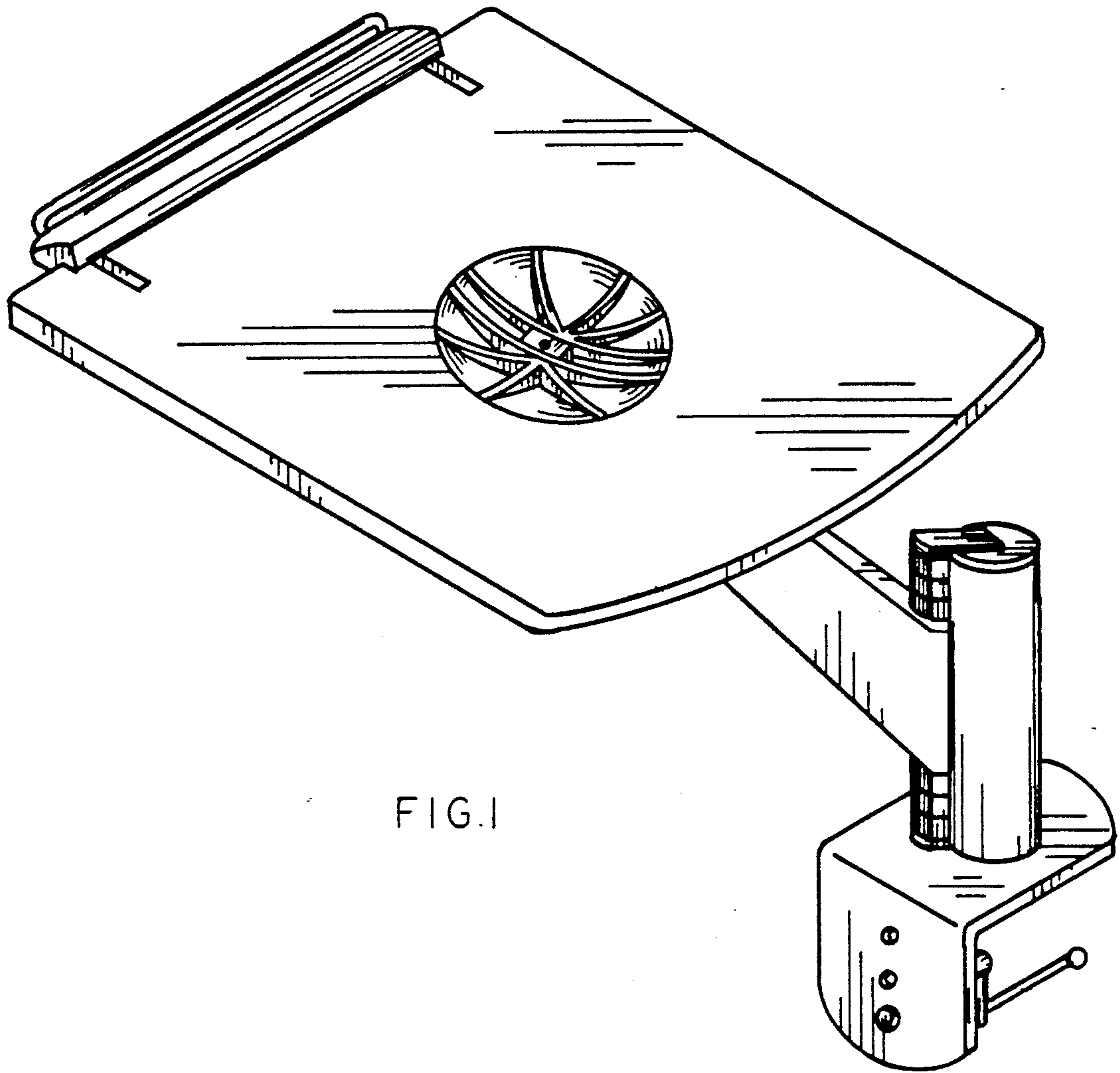


FIG. 1

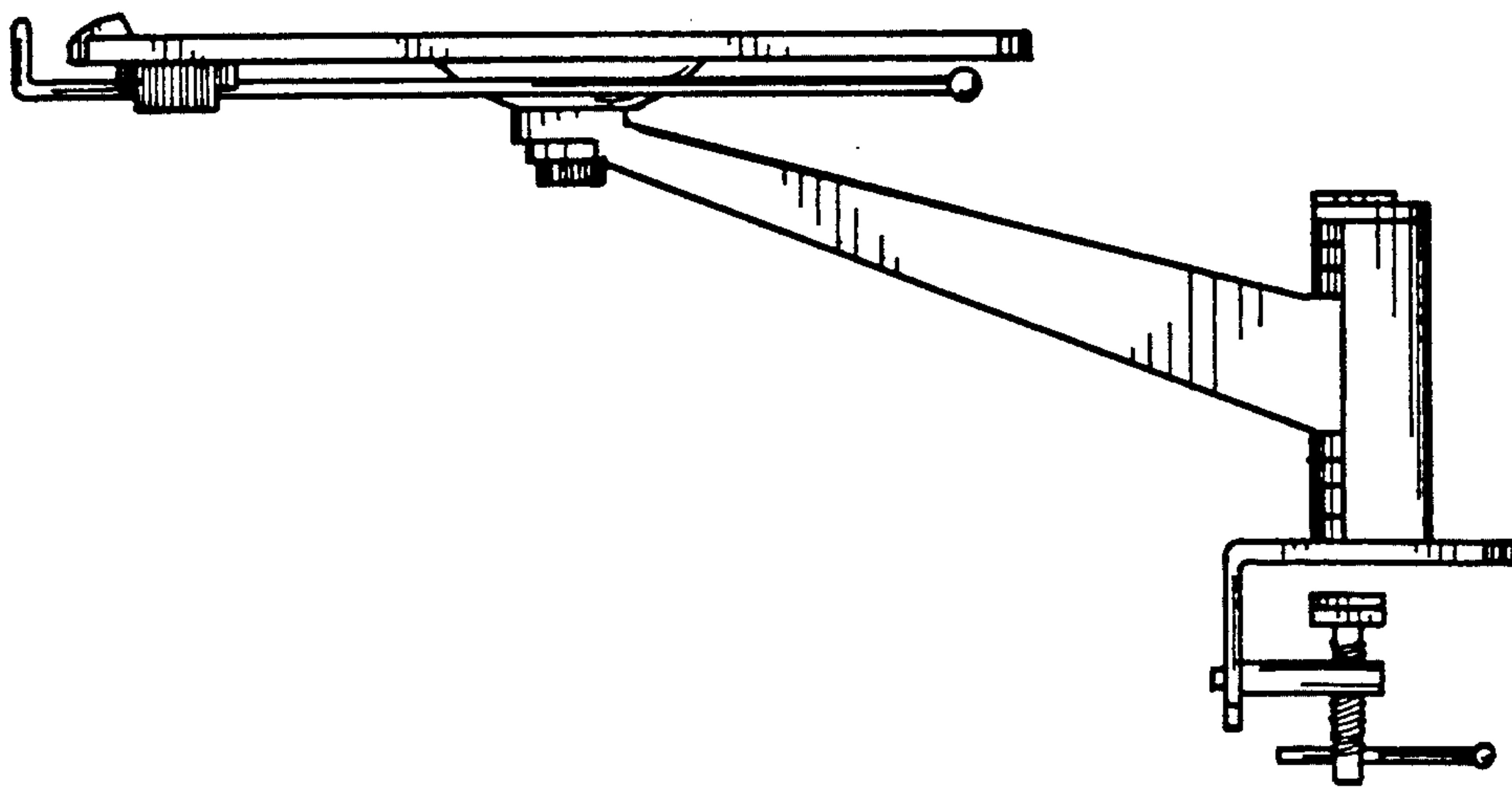


FIG. 2

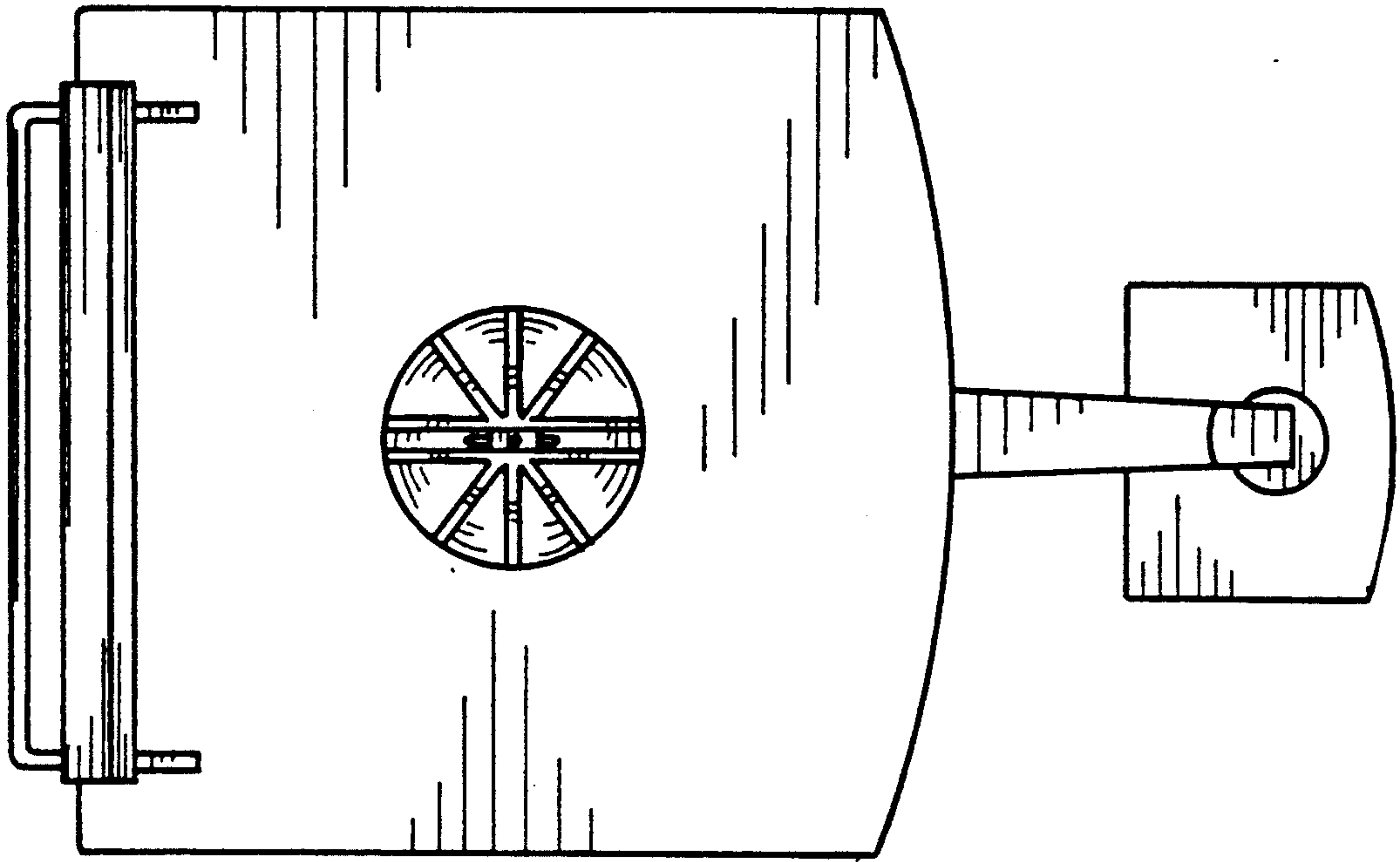


FIG. 3

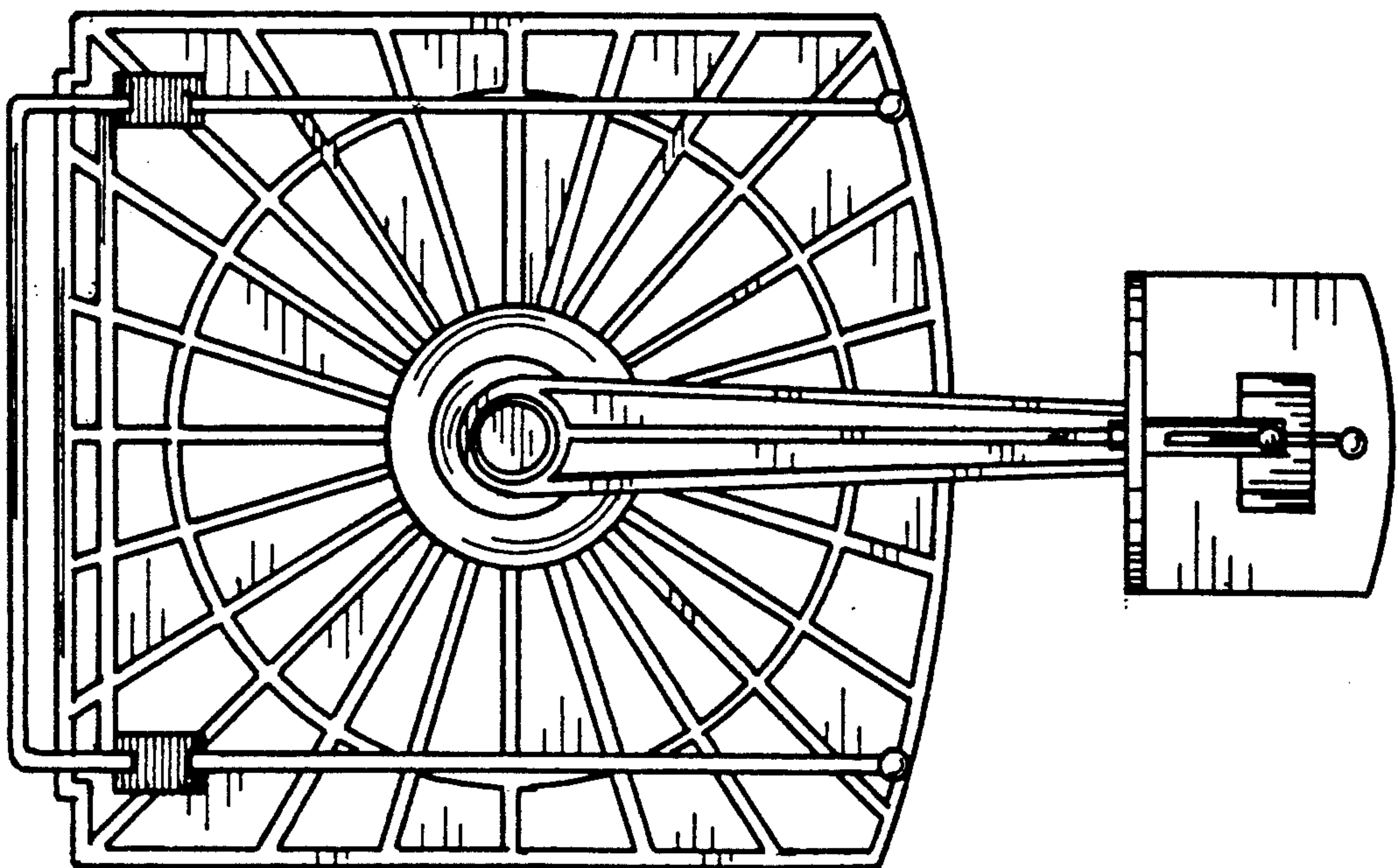


FIG. 4

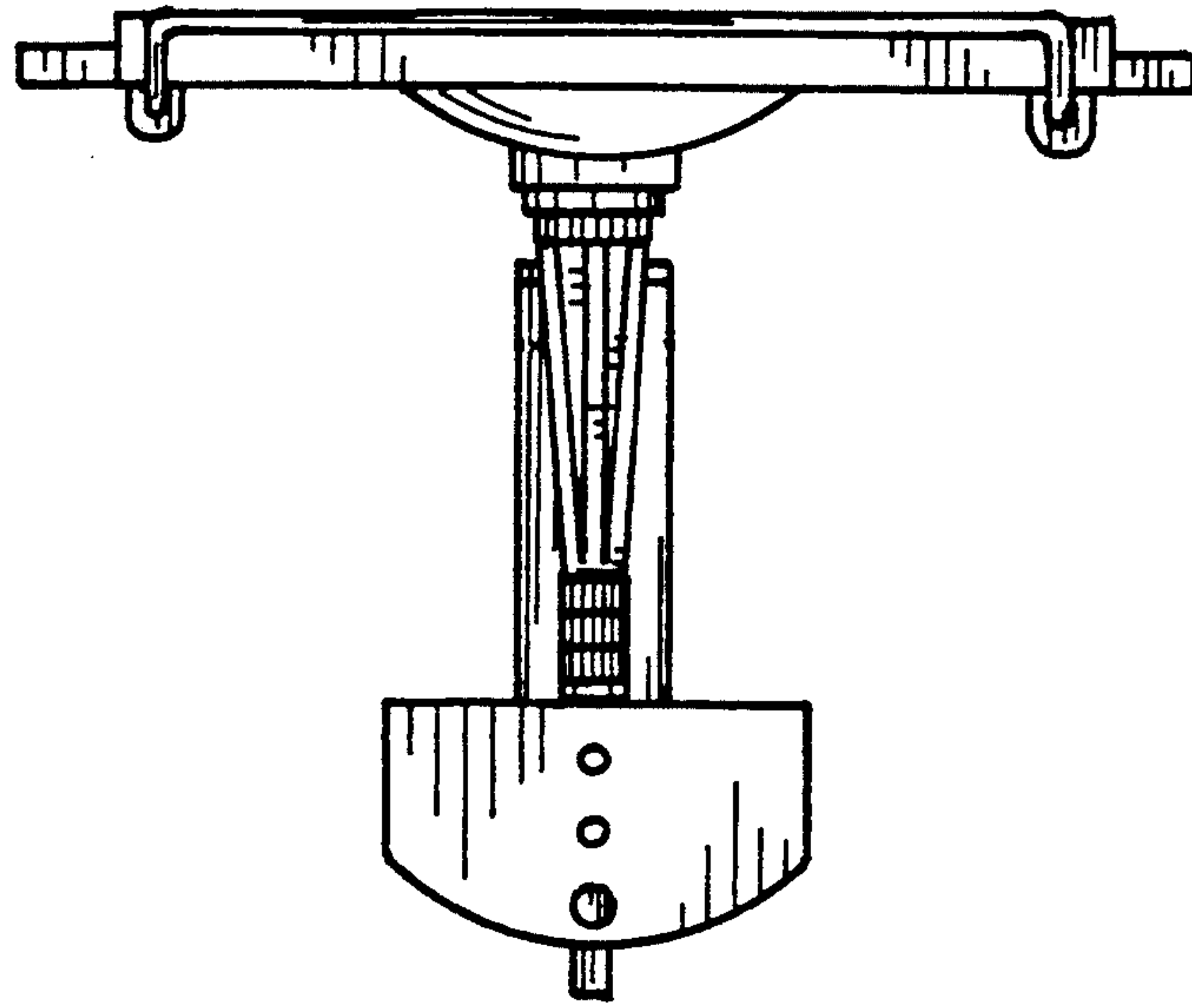


FIG. 5

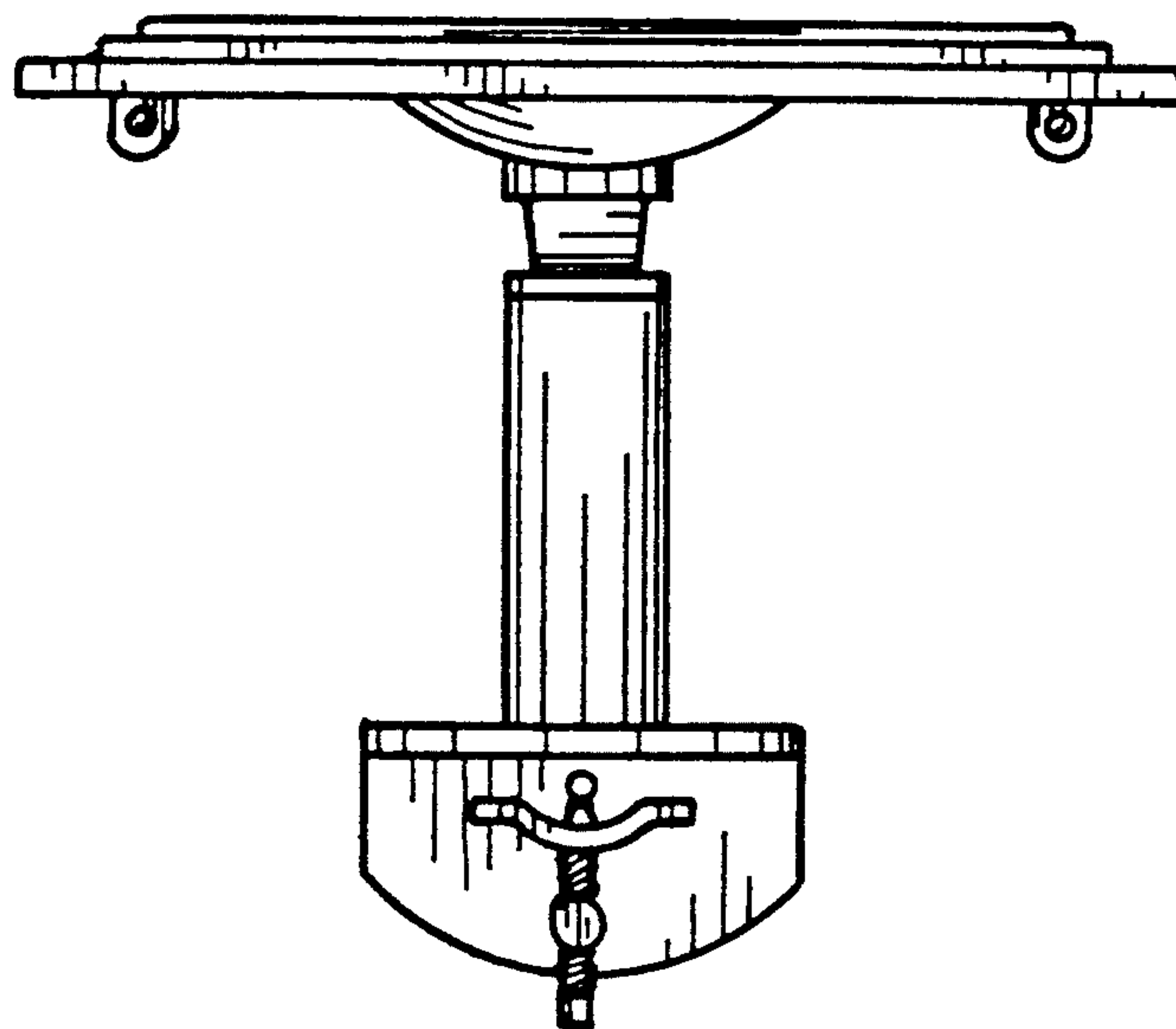


FIG. 6