



US00D347838S

United States Patent [19]

[11] Patent Number: **Des. 347,838**

Taniuchi et al.

[45] Date of Patent: **** Jun. 14, 1994**

[54] **TELEVISION RECEIVER**

[75] Inventors: **Takeshi Taniuchi; Takuo Yoshitani; Eiichi Kamiya**, all of Kamakura, Japan; **Gregory S. Breiding**, Columbus, Ohio; **Edward Lawing**, San Diego, Calif.; **Mark J. Ciesko**, Westerville, Ohio

[73] Assignee: **Mitsubishi Denki Kabushiki Kaisha**, Tokyo, Japan

[**] Term: **14 Years**

[21] Appl. No.: **858,764**

[22] Filed: **Mar. 27, 1992**

[52] U.S. Cl. **D14/126**

[58] Field of Search 358/60, 237-239, 358/254-255; 312/7.2; D14/124-134, 299

[56] **References Cited**

U.S. PATENT DOCUMENTS

D. 291,441 8/1987 Nishiyori et al. D14/126
D. 308, 371 6/1990 Shinoda et al. D14/126

D. 308,376 6/1990 Sakamoto et al. D14/126
D. 308,675 6/1990 Mikami et al. D14/126

Primary Examiner—Theodore M. Shooman
Attorney, Agent, or Firm—Rothwell, Figg, Ernst & Kurz

[57] **CLAIM**

The ornamental design for a television receiver, as shown.

DESCRIPTION

FIG. 1 is a front elevational view of a television receiver, showing our new design;
FIG. 2 is a rear elevational view thereof;
FIG. 3 is a right side elevational view thereof;
FIG. 4 is a left side elevational view thereof;
FIG. 5 is a top plan view thereof;
FIG. 6 is a bottom plan view thereof;
FIG. 7 is a front, top and right side perspective view thereof;
FIG. 8 is a rear, top and right side perspective view thereof; and,
FIG. 9 is a cross-sectional view thereof, taken along line 9-9 of FIG. 1.

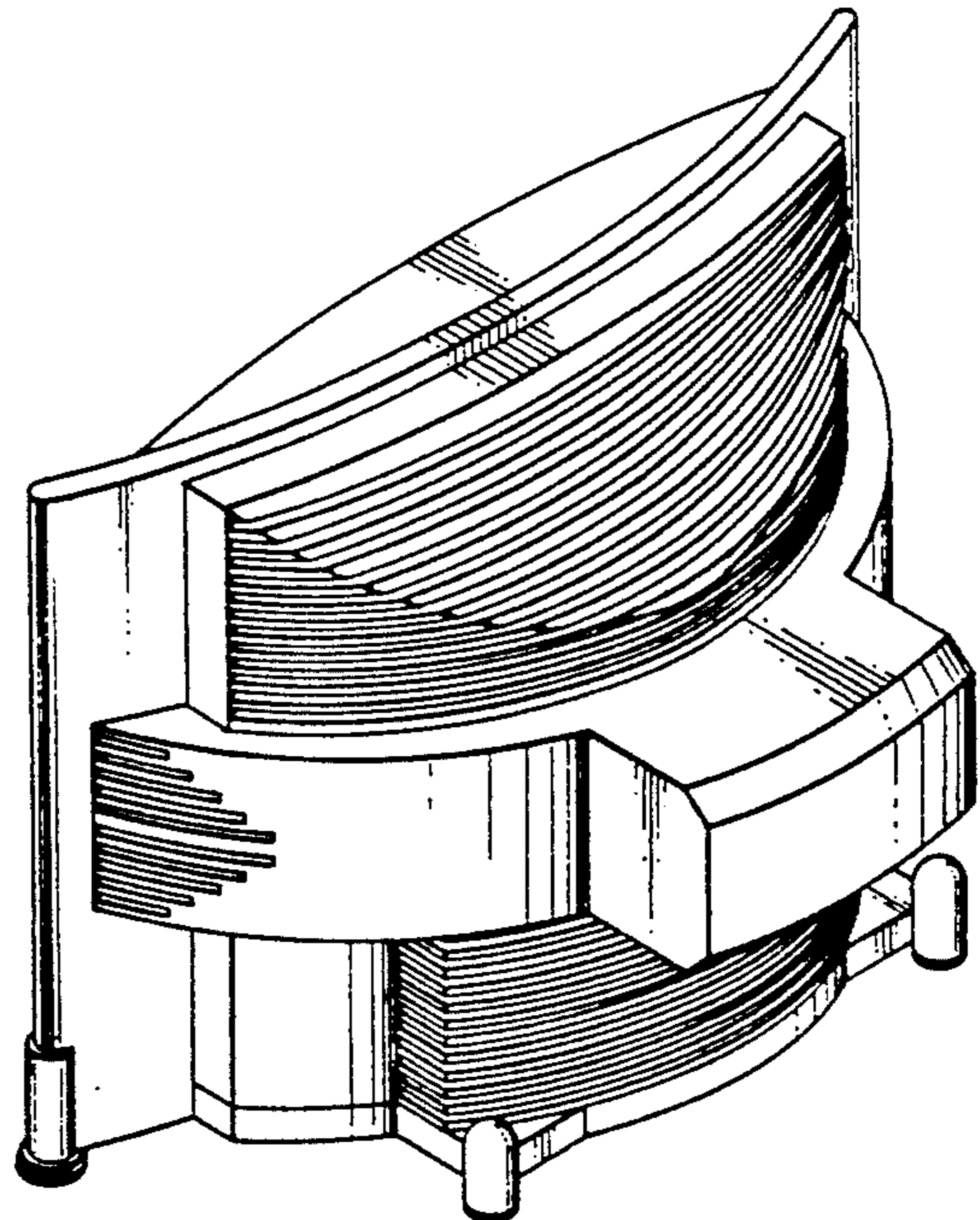
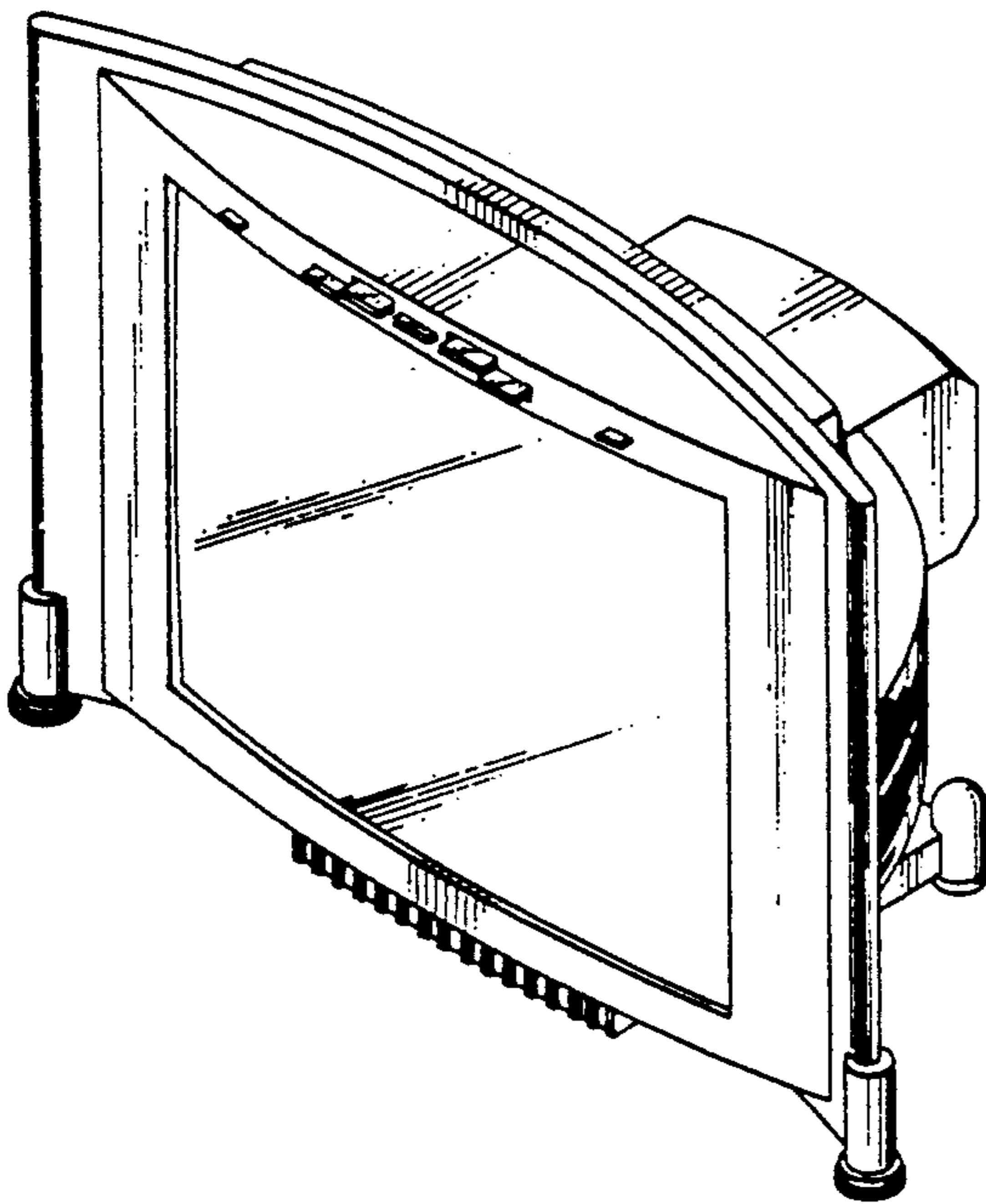


FIG. 1

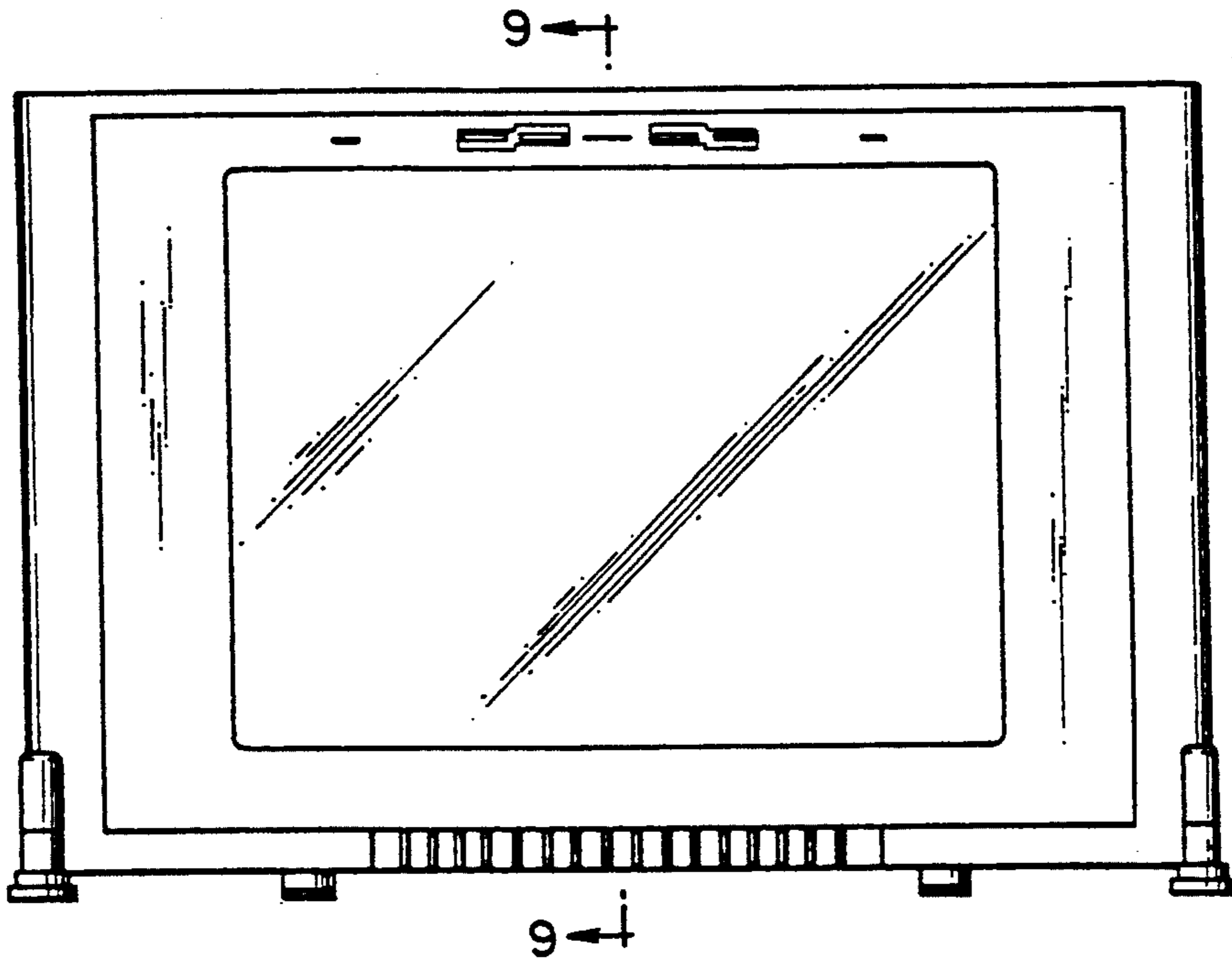


FIG. 2

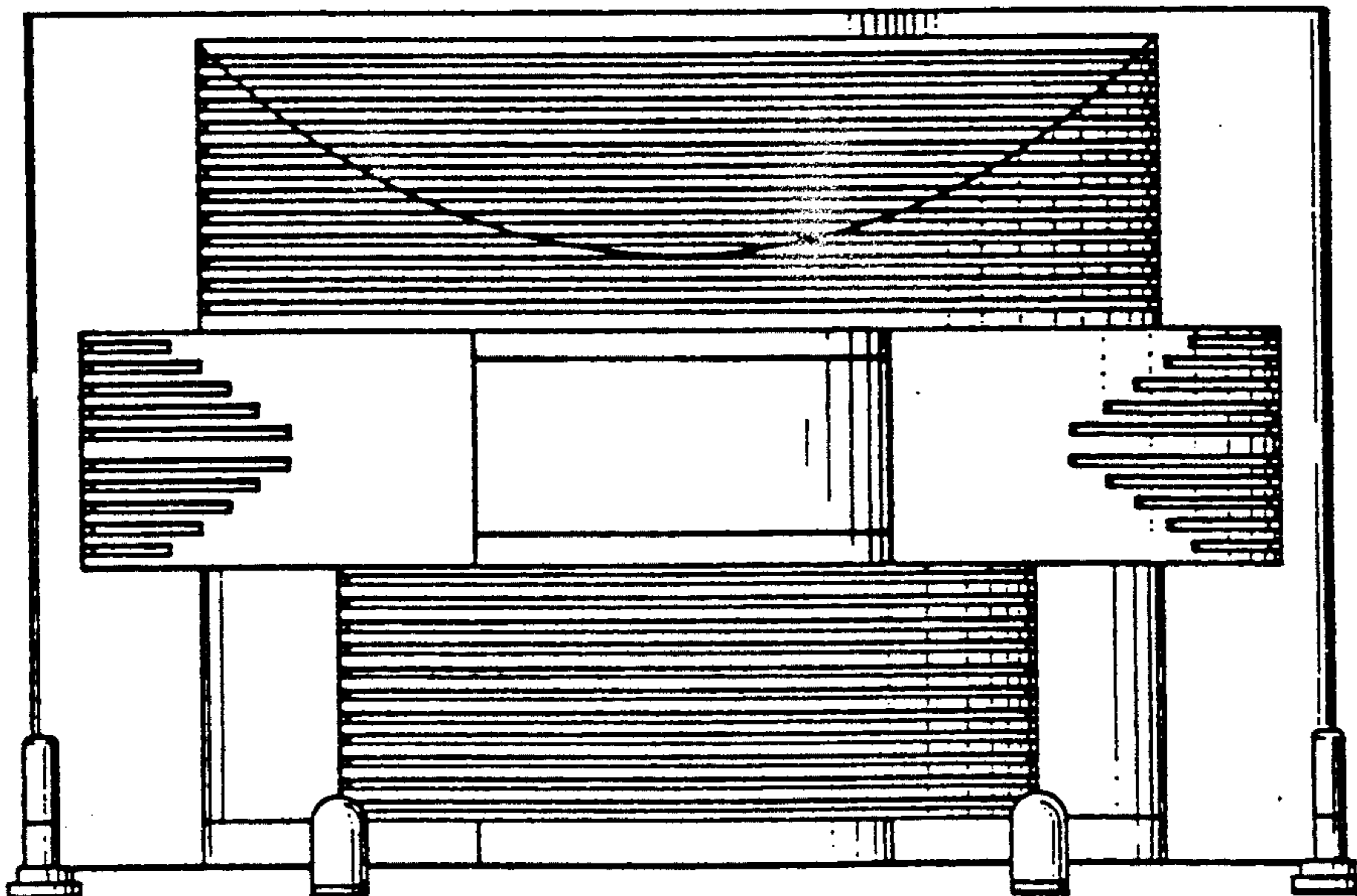


FIG. 3

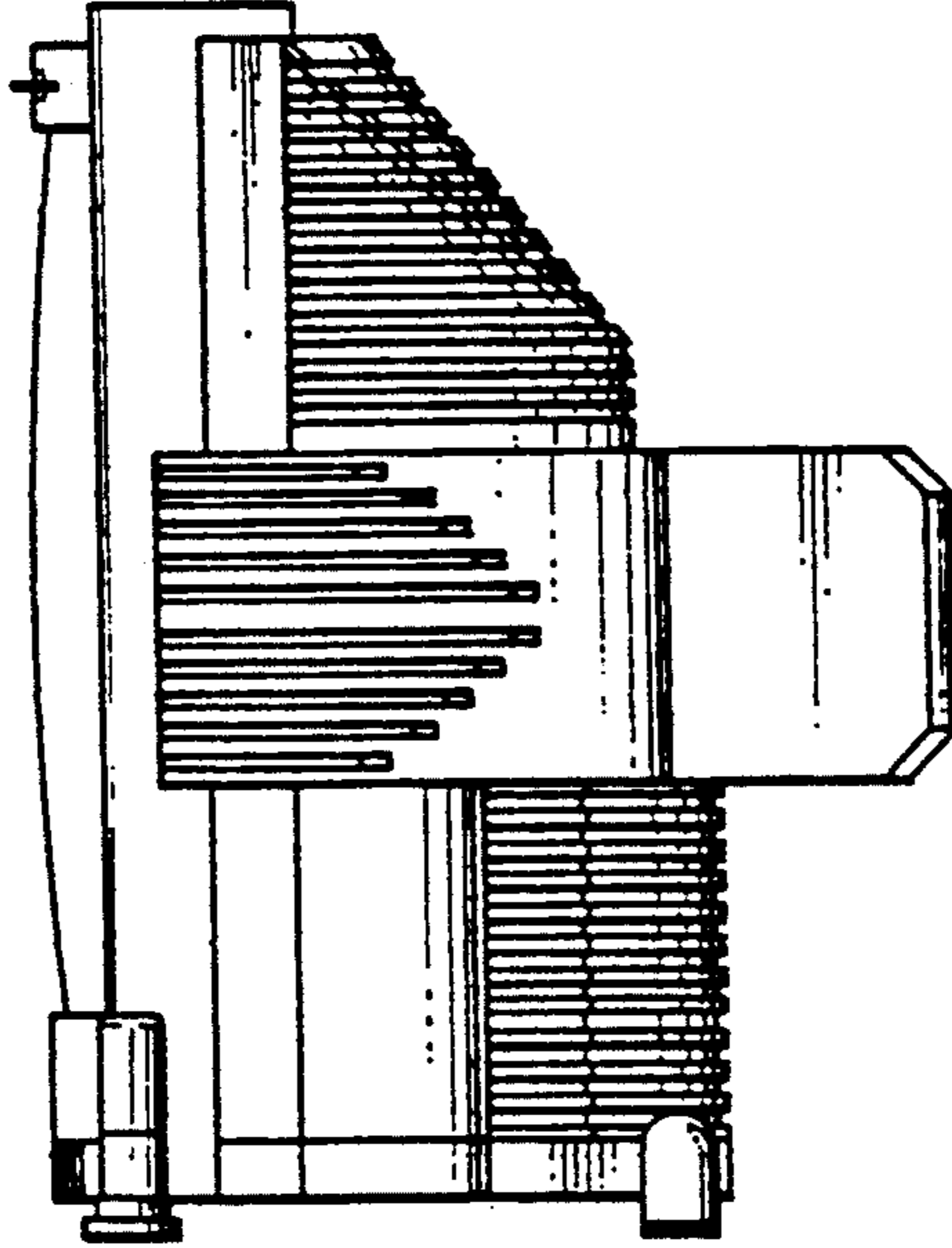


FIG. 4

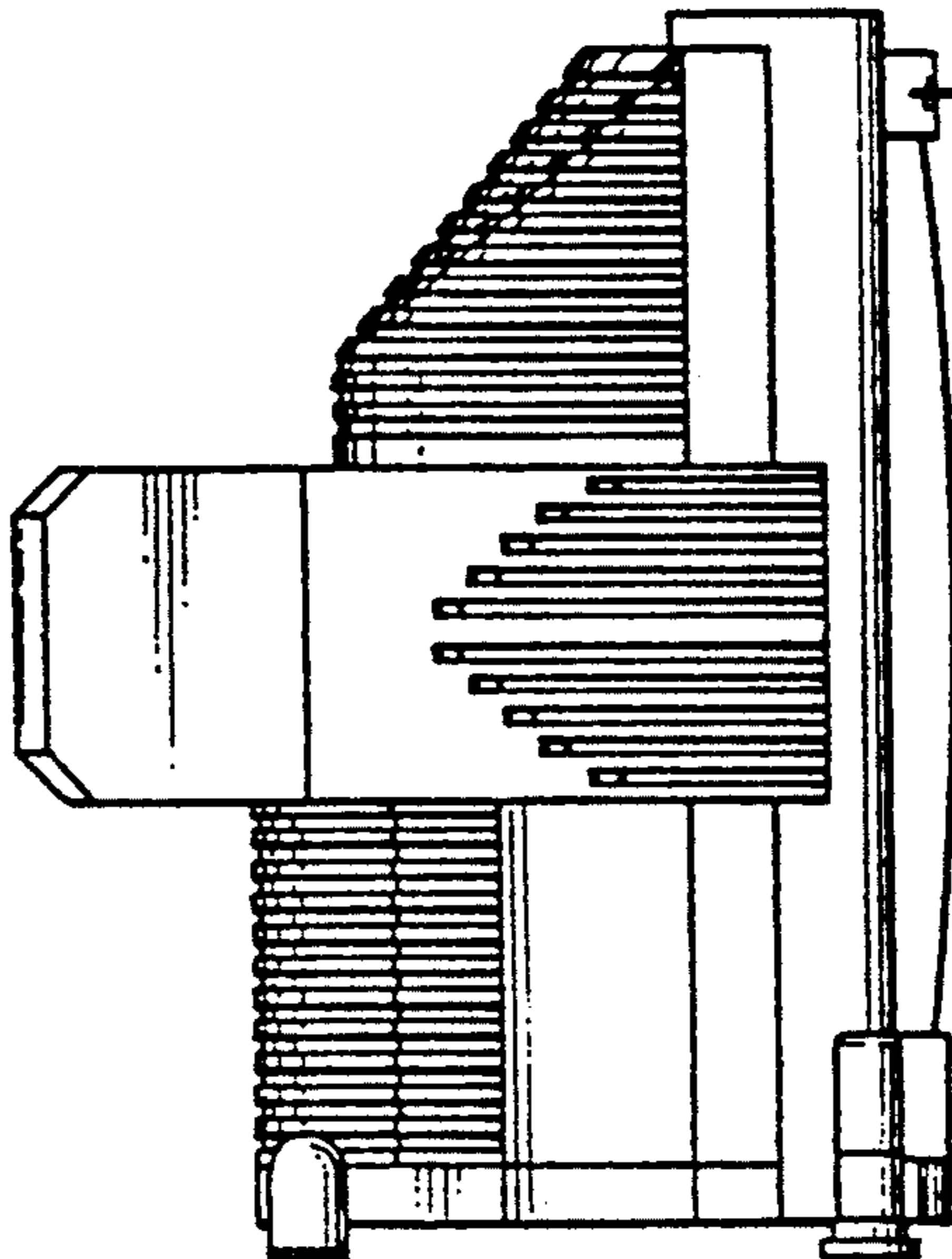


FIG. 5

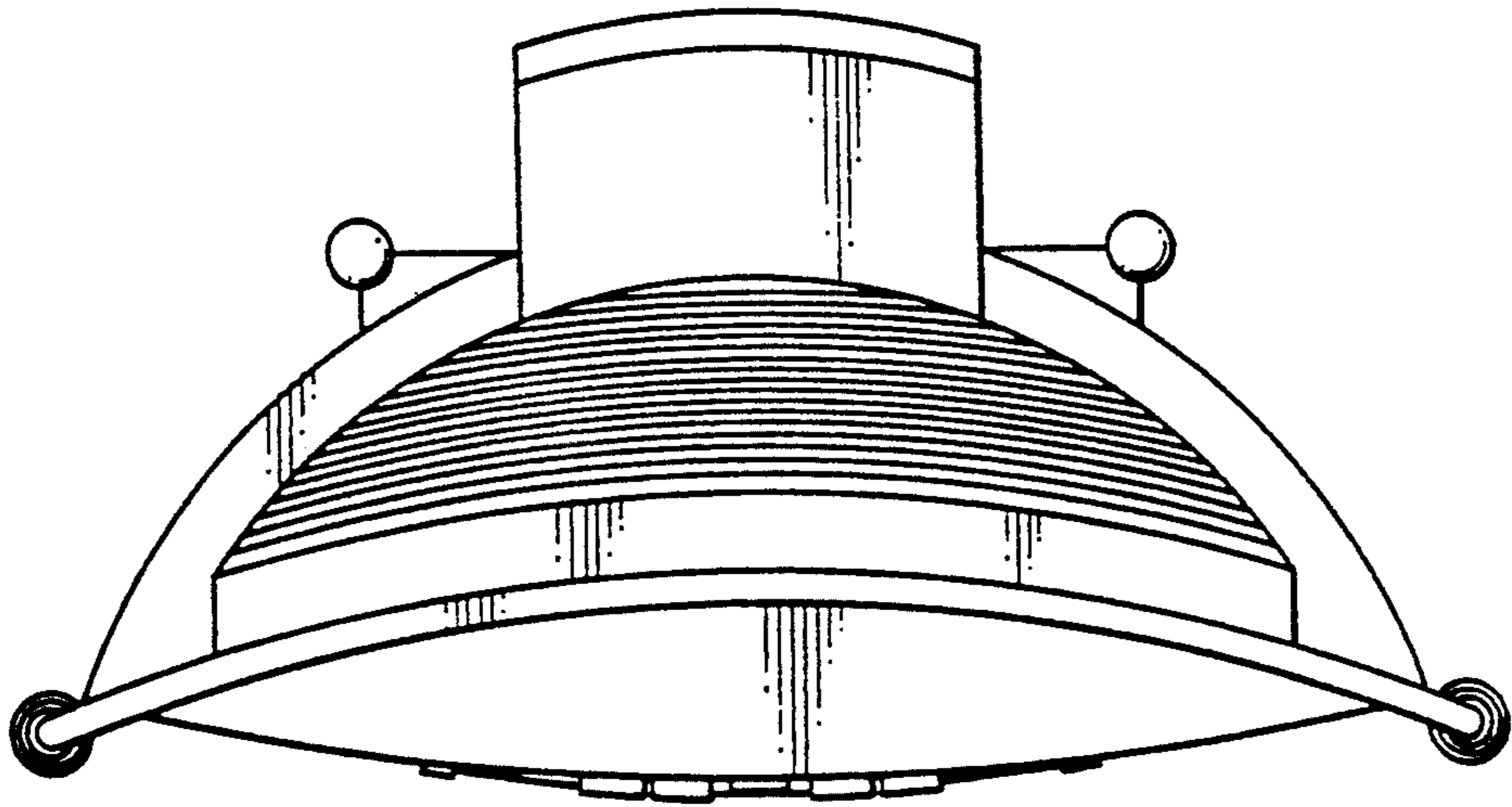


FIG. 6

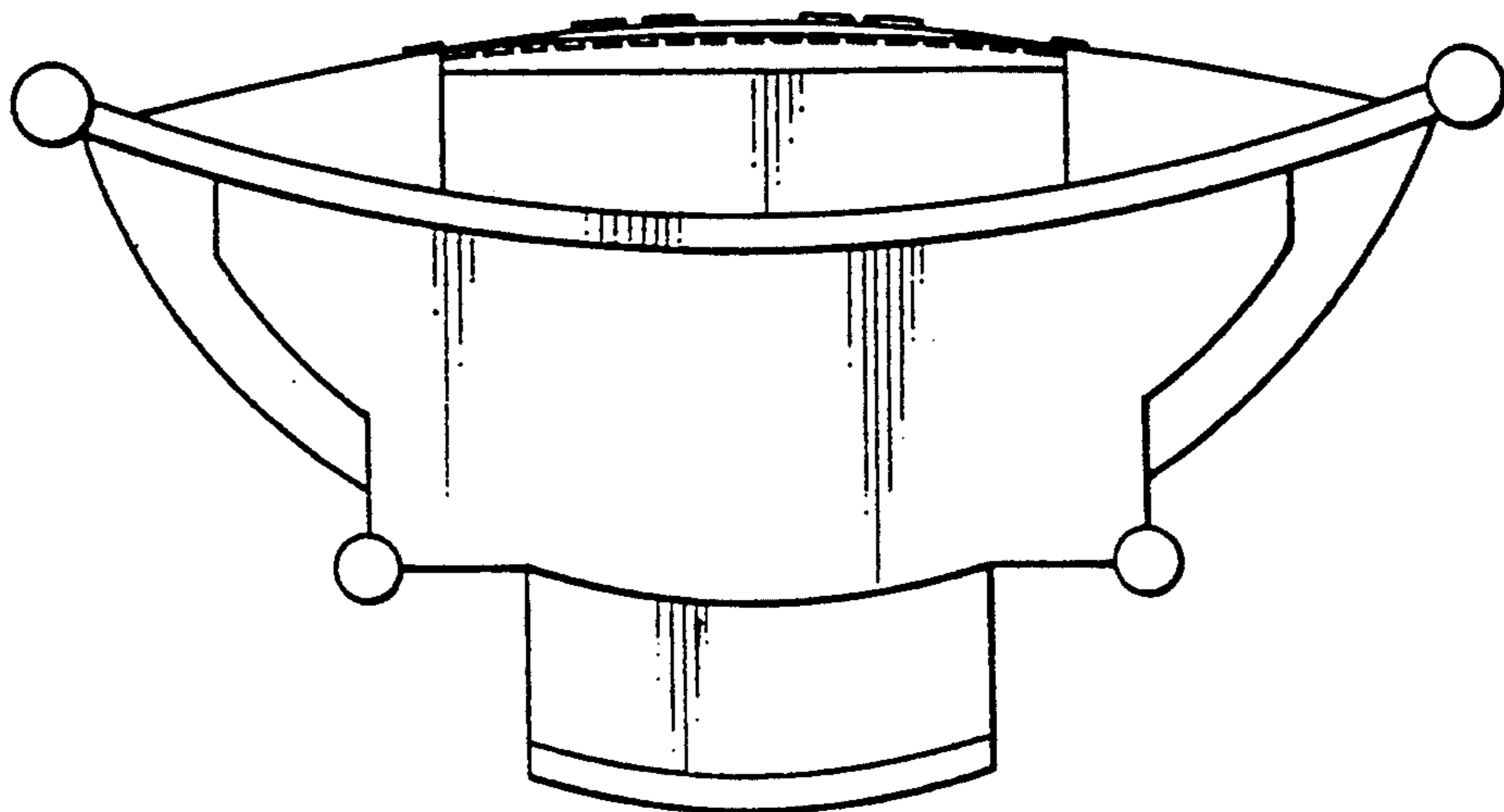


FIG. 7

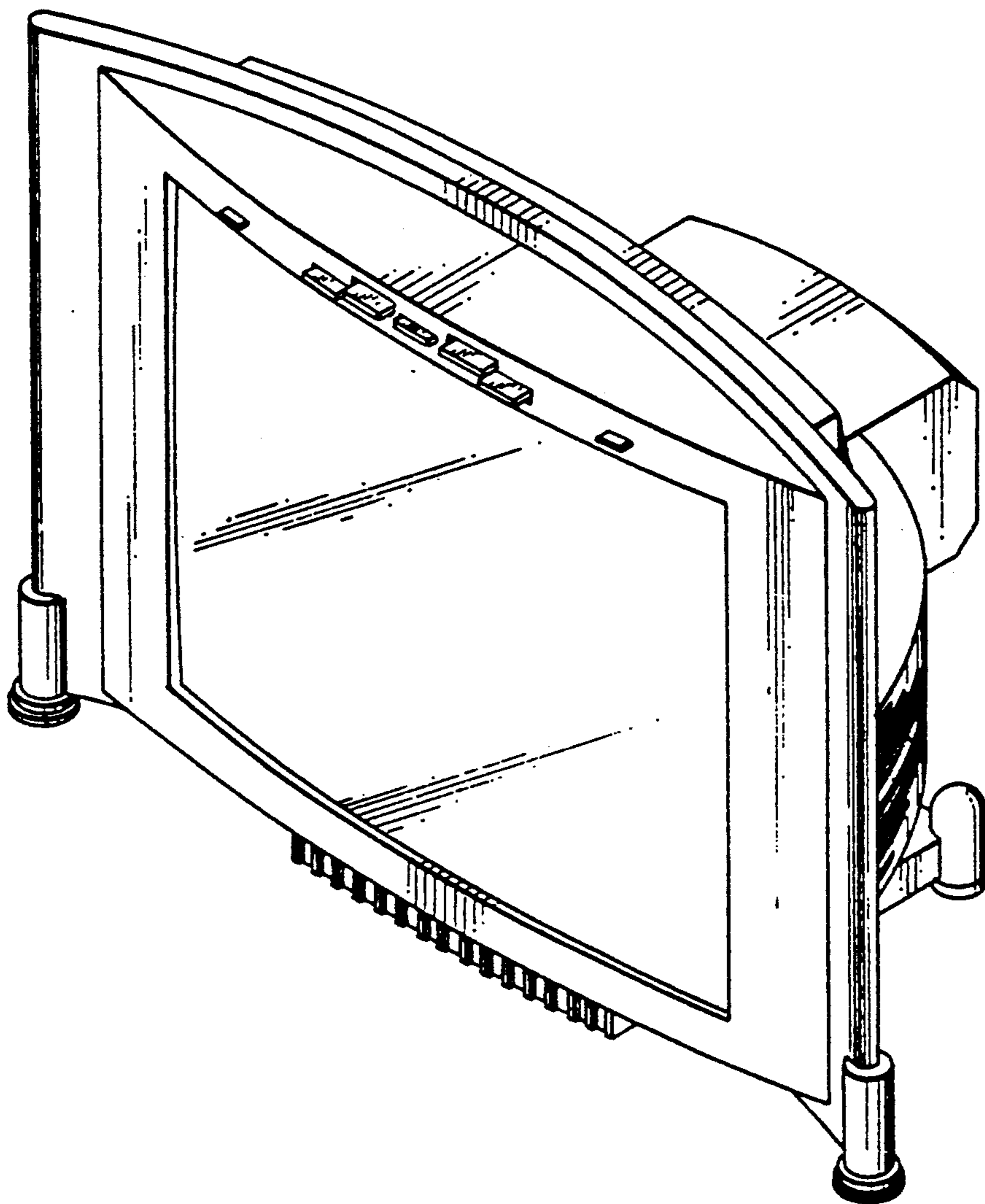


FIG. 8

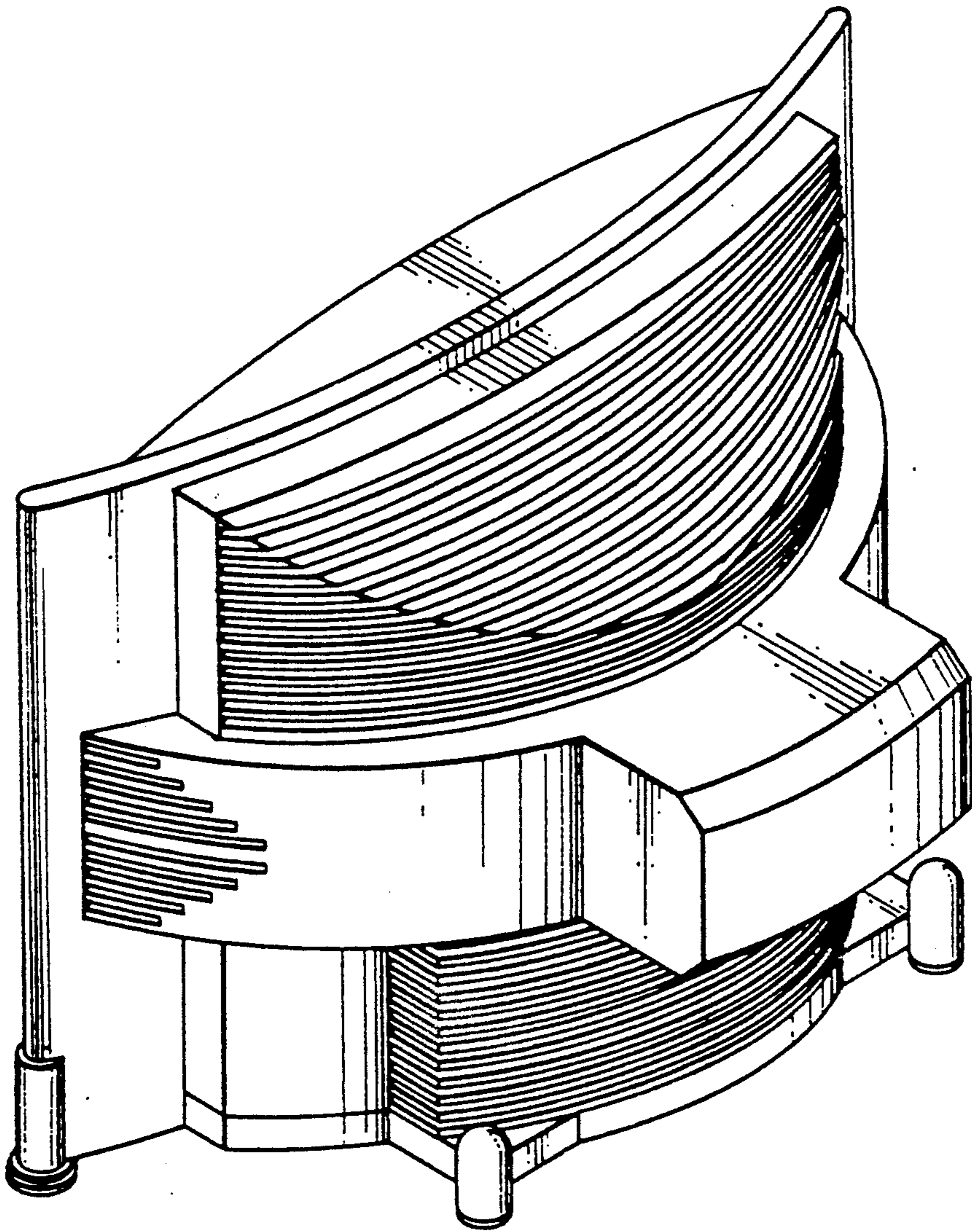


FIG. 9

