



US00D347834S

United States Patent [19]

[11] Patent Number: Des. 347,834

Garmon et al.

[45] Date of Patent: ** Jun. 14, 1994

[54] CONTROL PANEL FOR A COMPUTER

[75] Inventors: Vincent S. Garmon, Boynton Beach; Heriberto J. Padron, Lake Worth, both of Fla.

[73] Assignee: International Business Machines Corporation, Armonk, N.Y.

[**] Term: 14 Years

[21] Appl. No.: 774,115

[22] Filed: Oct. 8, 1991

[52] U.S. Cl. D14/115

[58] Field of Search 358/249, 254; 361/390, 361/395; D14/100, 101, 108, 109, 115; D13/162

[56] References Cited

U.S. PATENT DOCUMENTS

- D. 252,460 7/1979 Milia et al. D14/115
- D. 255,121 5/1980 Roch D14/115 X
- D. 332,947 2/1993 Kline et al. D14/115
- D. 333,134 2/1993 Aderman D14/115

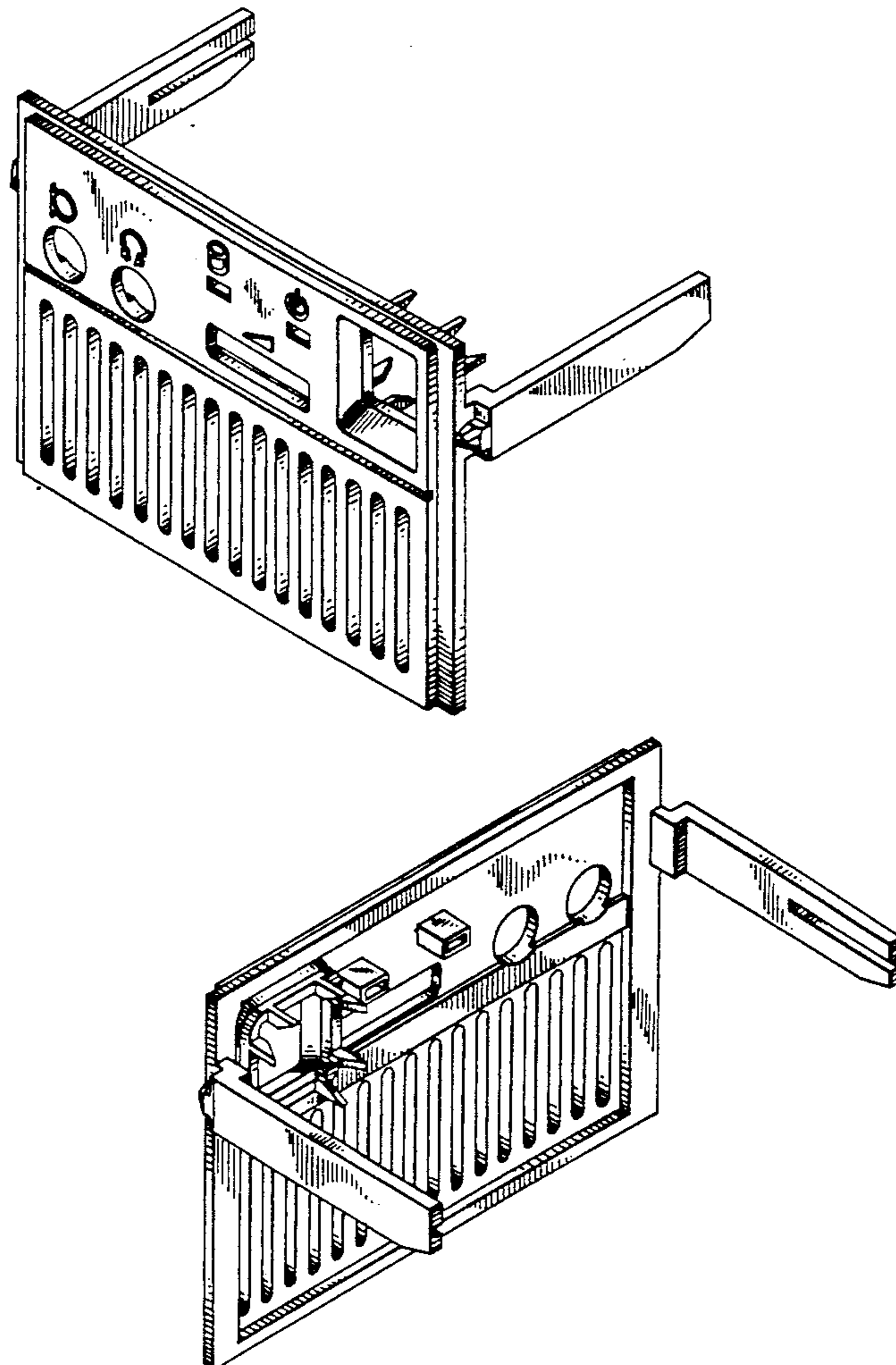
Primary Examiner—Wallace R. Burke
Assistant Examiner—Freda S. Nunn
Attorney, Agent, or Firm—Bernard D. Bogdon

[57] CLAIM

The ornamental design for a control panel for a computer, as shown and described.

DESCRIPTION

FIG. 1 is a front right perspective view of a control panel for a computer;
 FIG. 2 is a front left perspective view thereof;
 FIG. 3 is a frontal view thereof;
 FIG. 4 is a left side view thereof;
 FIG. 5 is a right side view thereof;
 FIG. 6 is a rear view thereof;
 FIG. 7 is a top view thereof;
 FIG. 8 is a bottom view thereof;
 FIG. 9 is a rear right perspective view thereof;
 FIG. 10 is a rear left perspective view thereof; and,
 FIG. 11 is a reduced front right perspective view thereof, the computer front face cover is shown in broken lines for illustrative purposes only and forms no part of the claimed design.
 FIGS. 3-8 are drawn on a reduced scale.



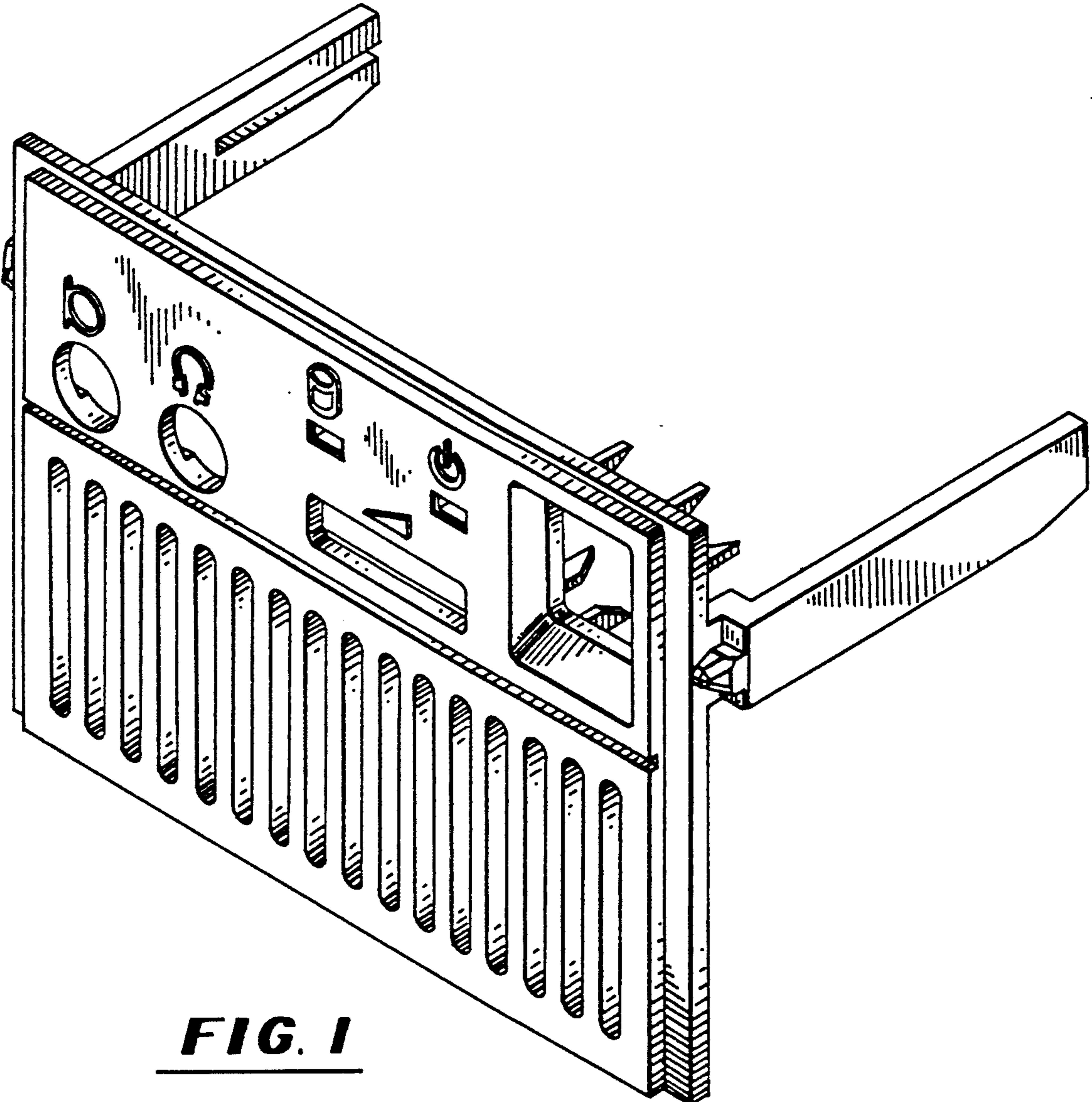


FIG. 1

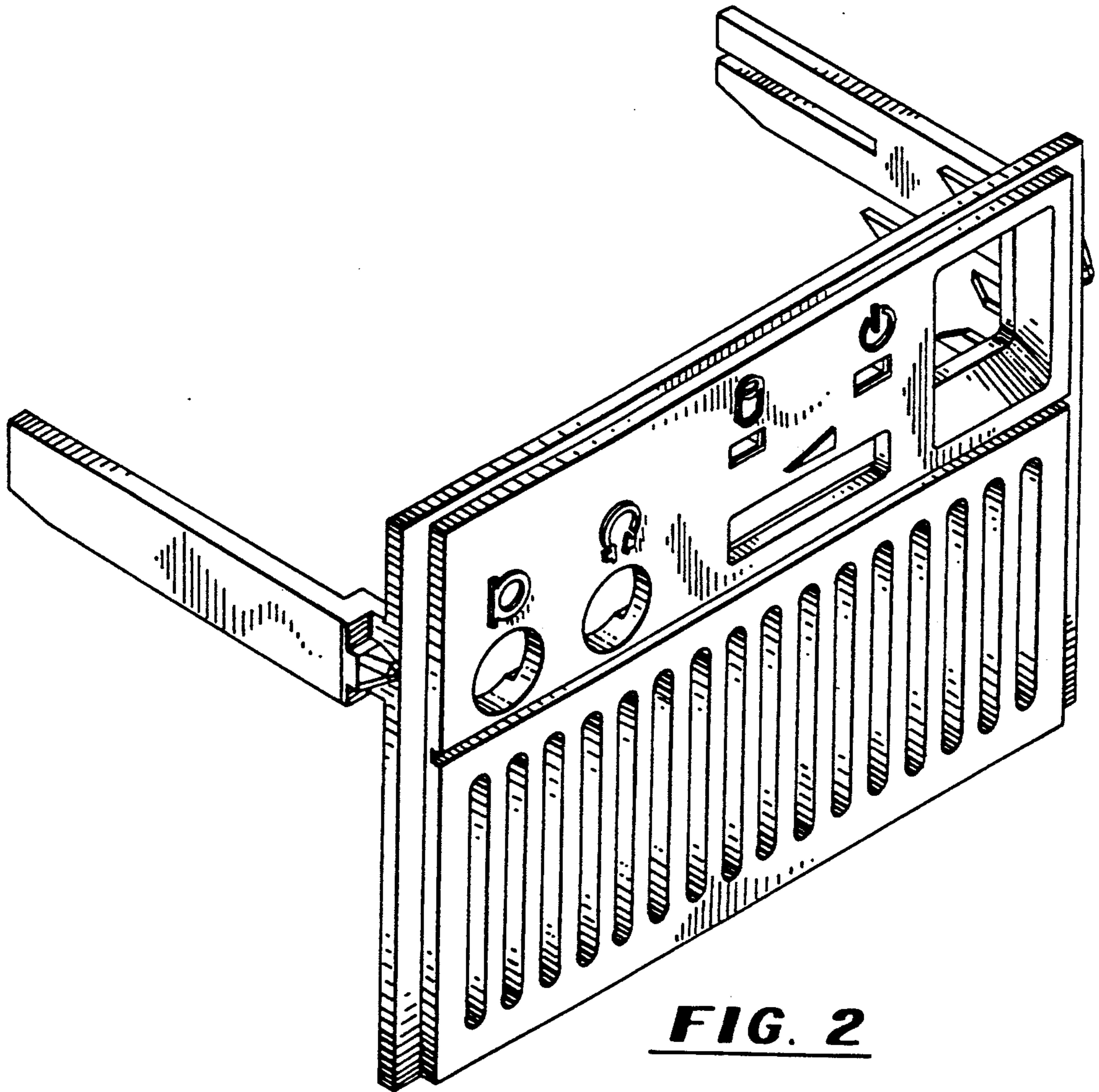


FIG. 2

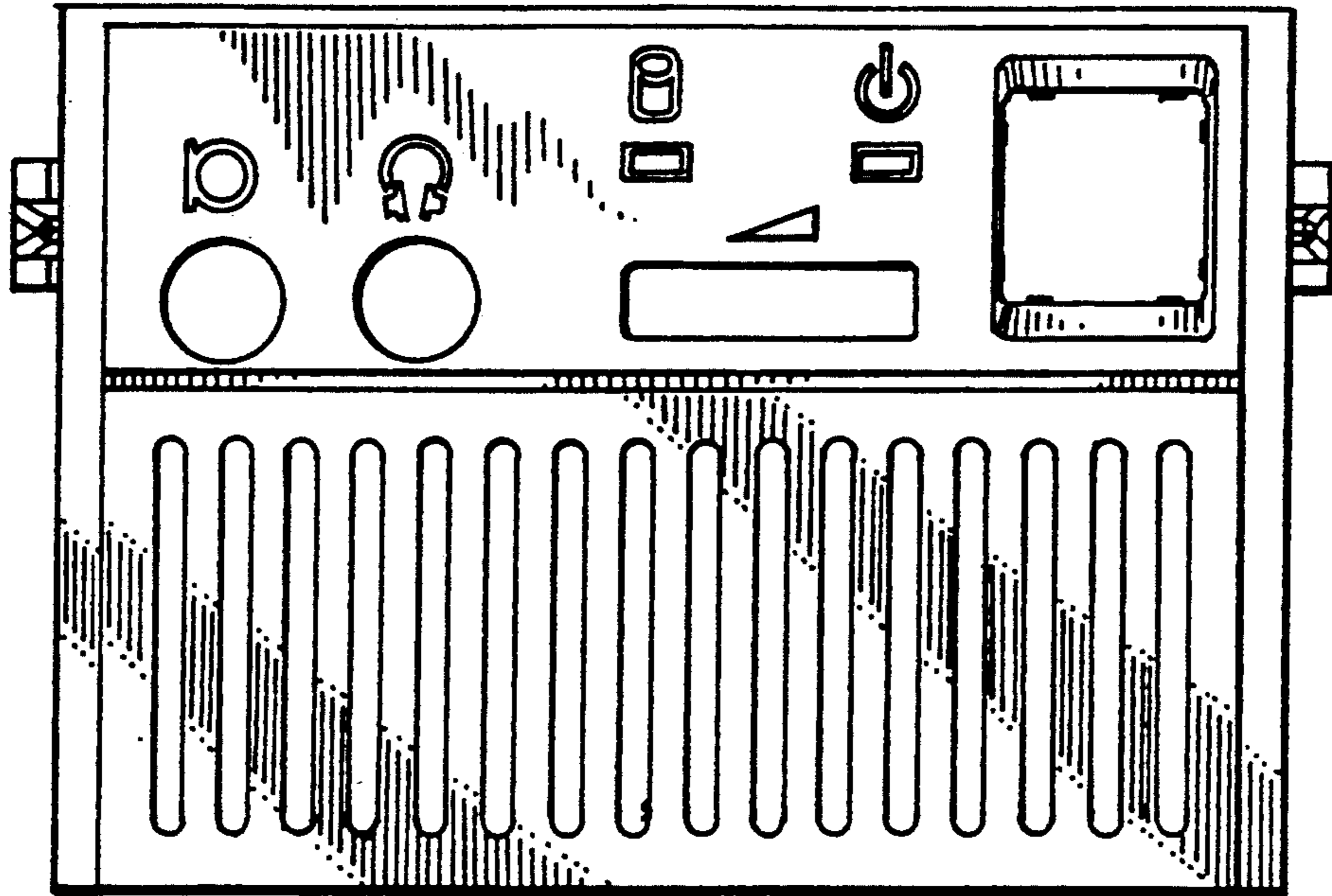


FIG. 3

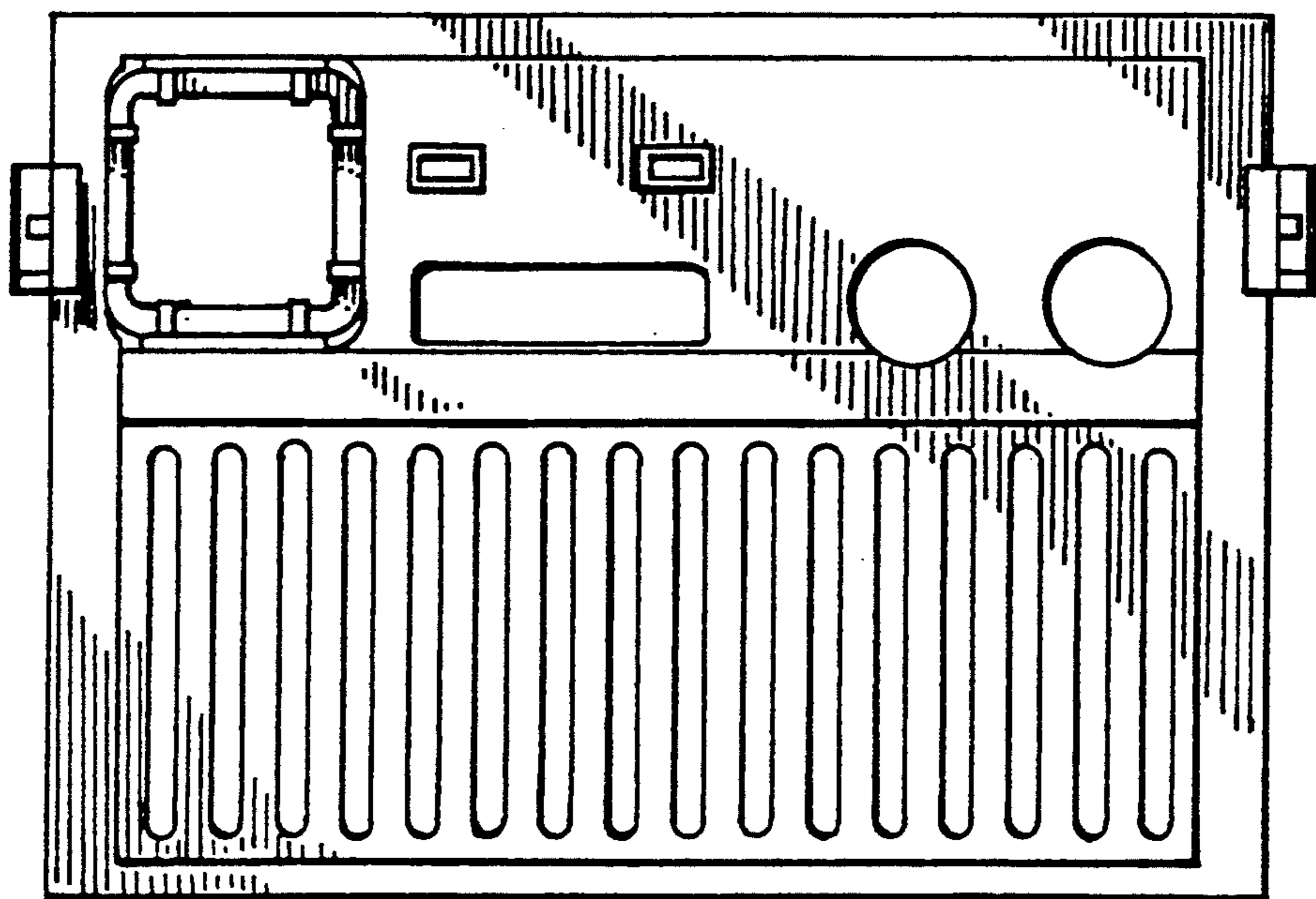


FIG. 6

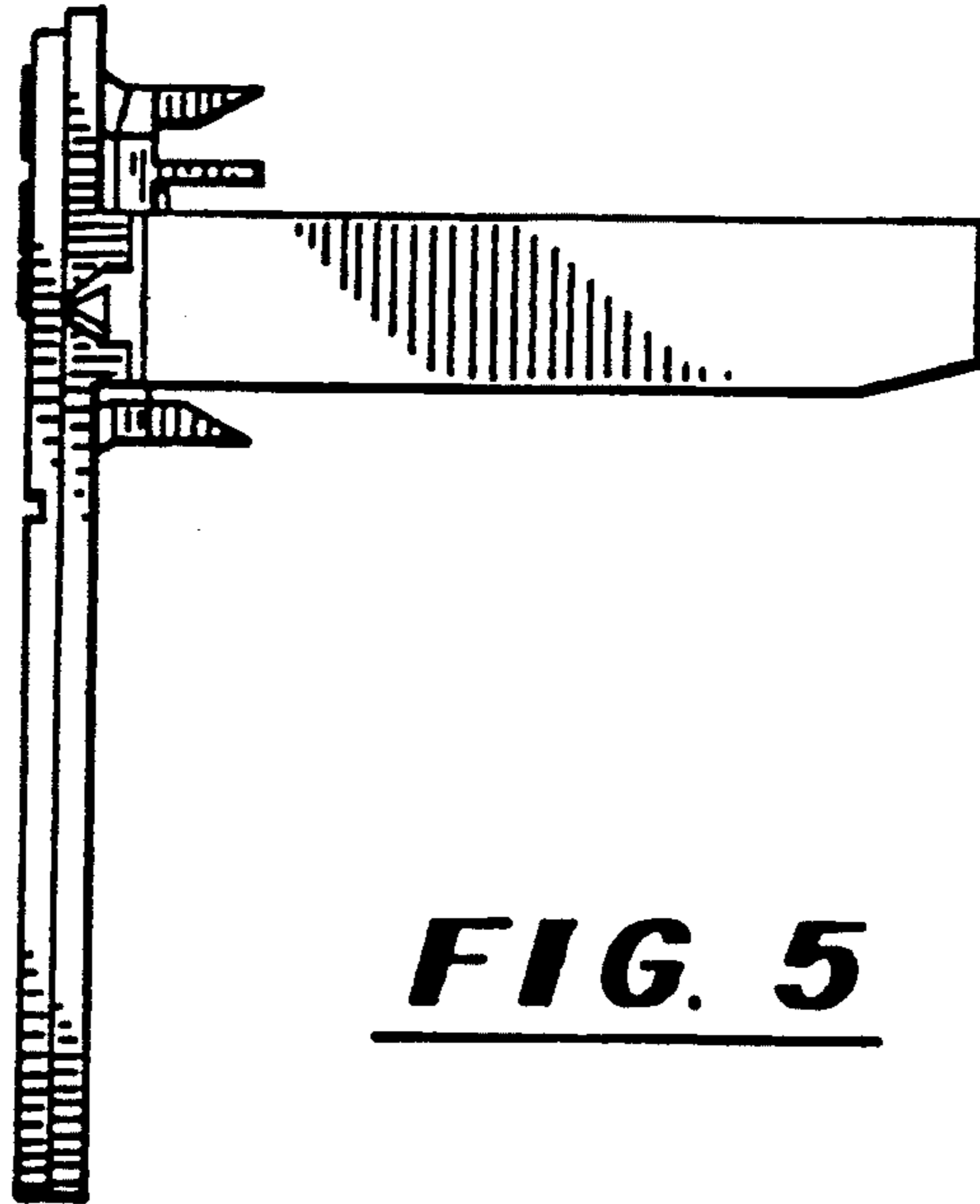


FIG. 5

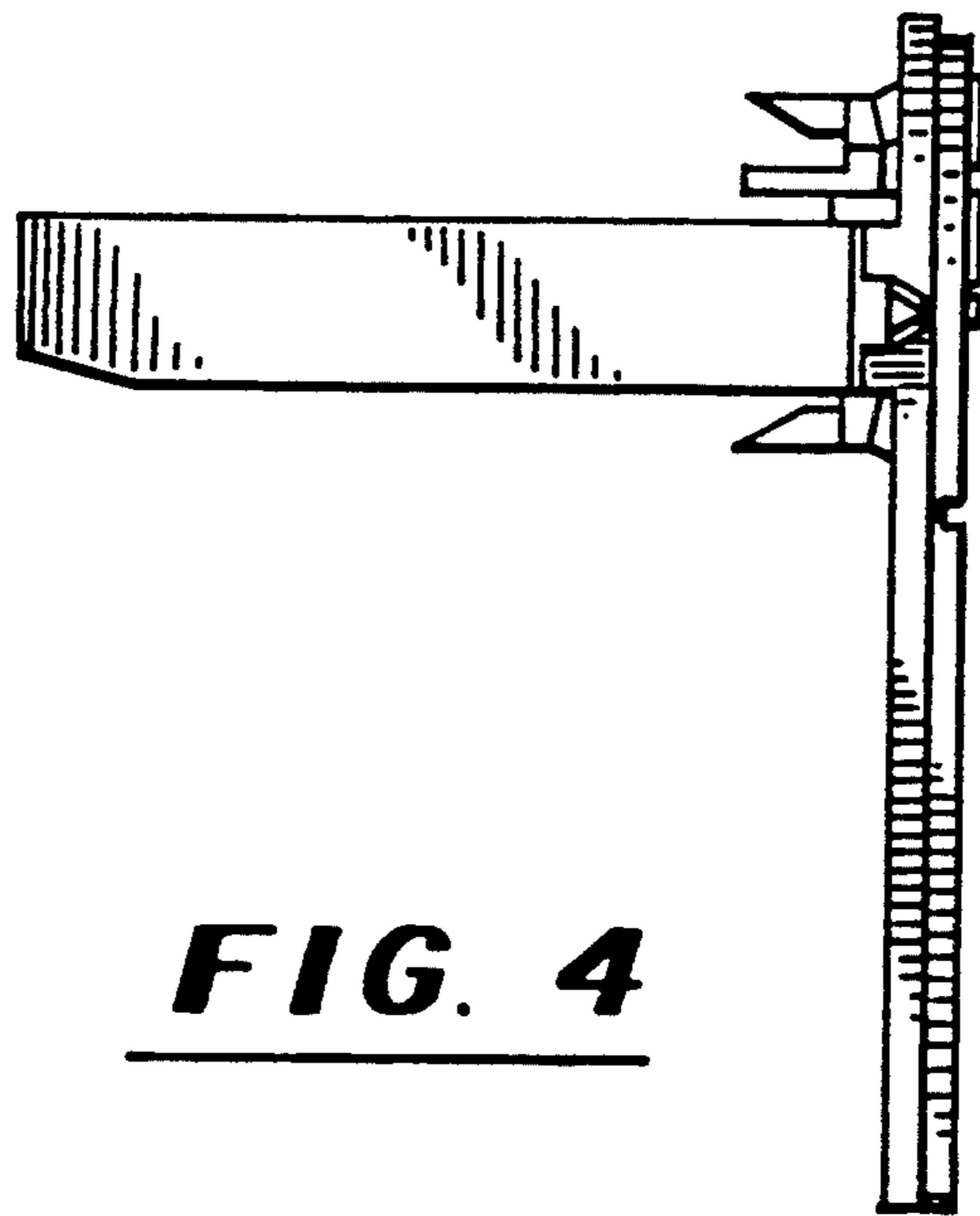


FIG. 4

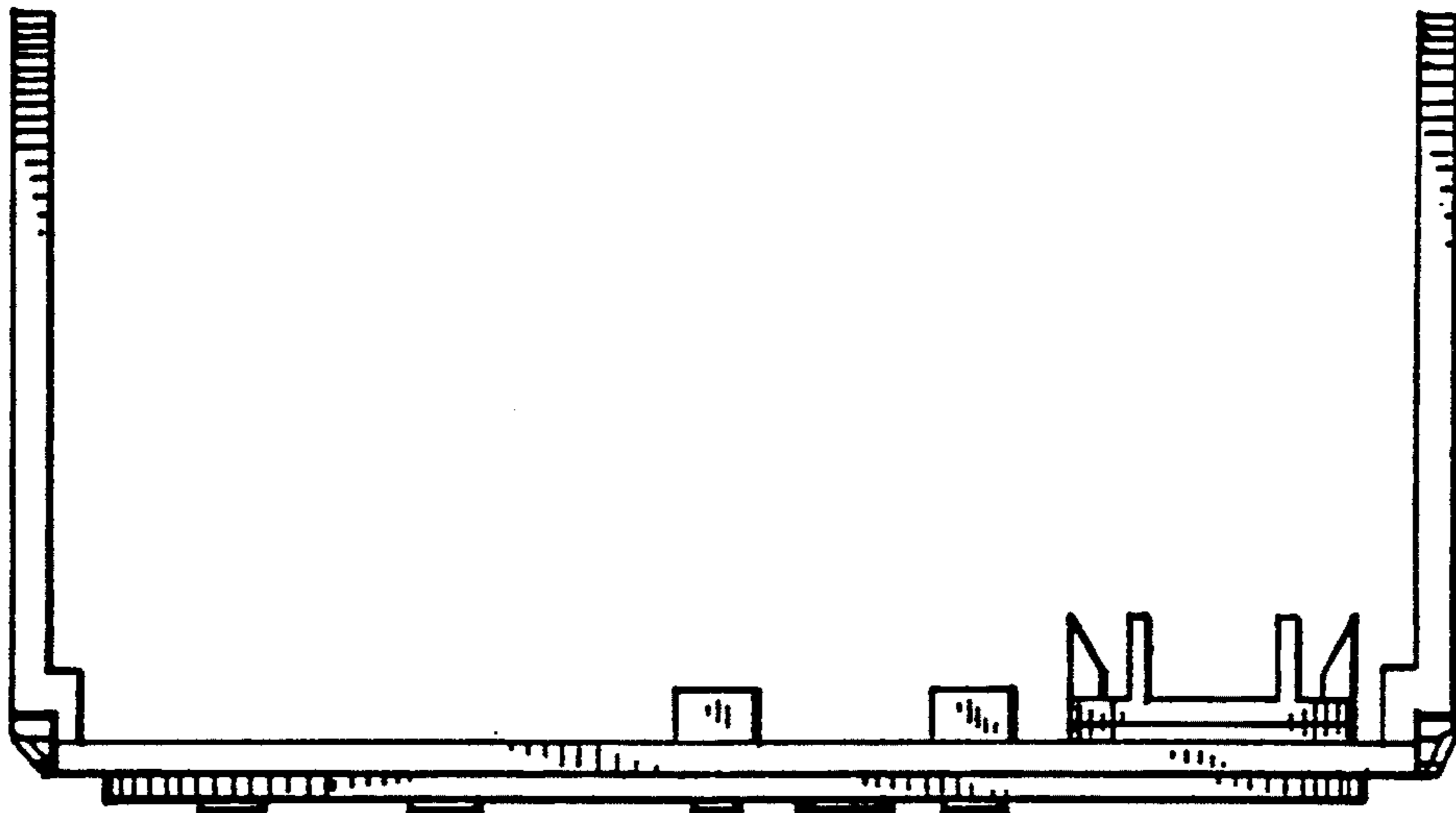


FIG. 7

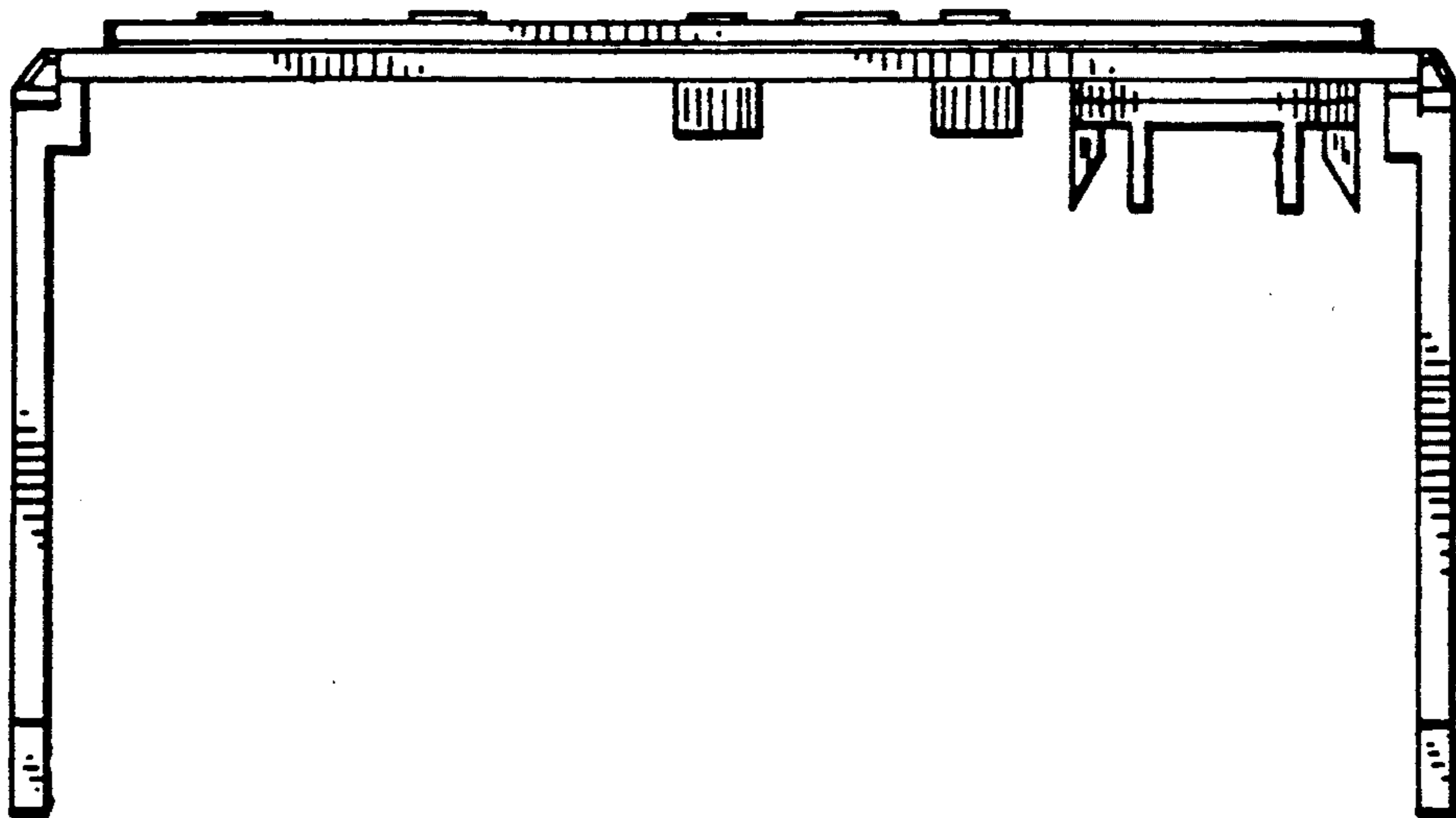


FIG. 8

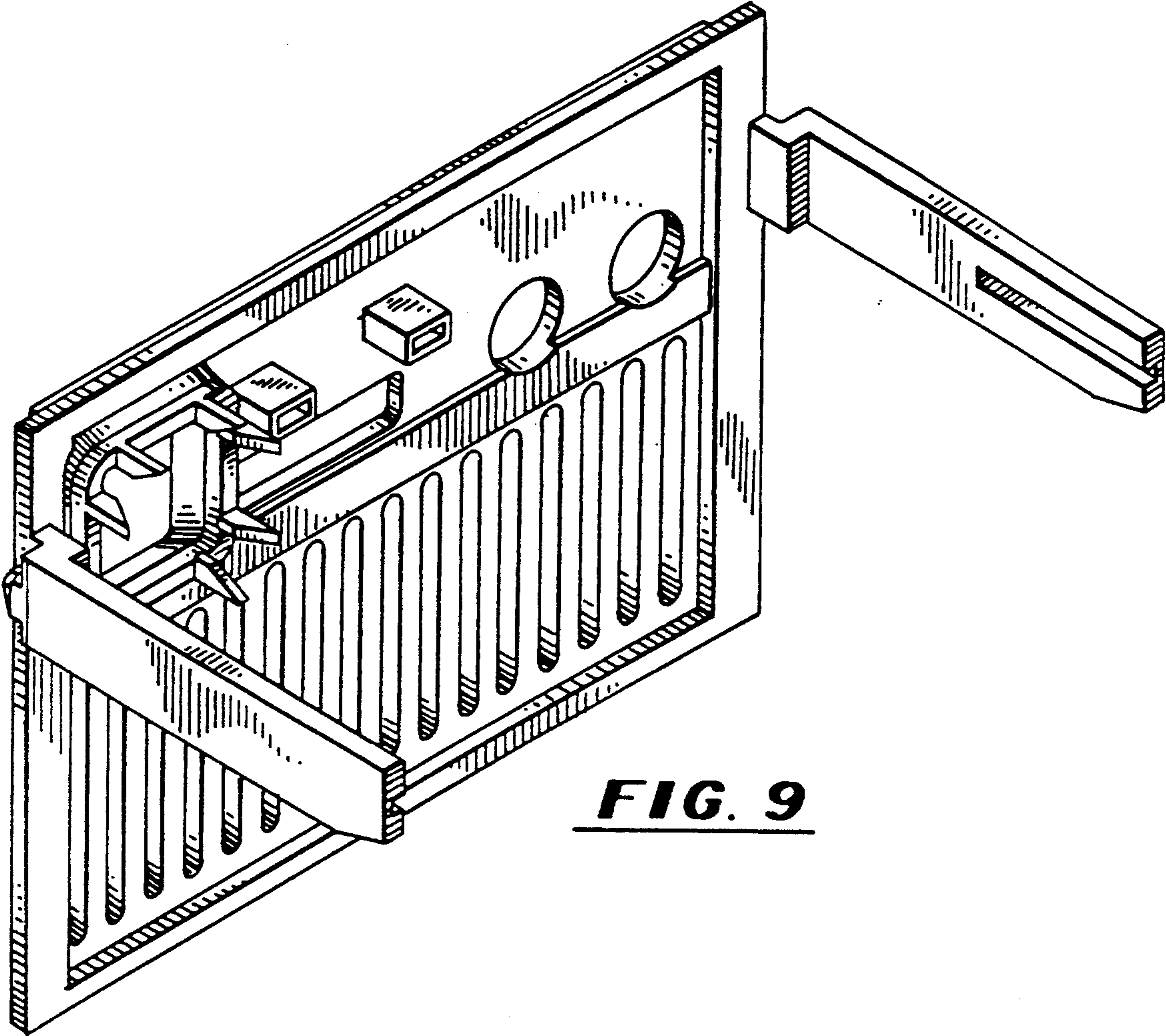


FIG. 9

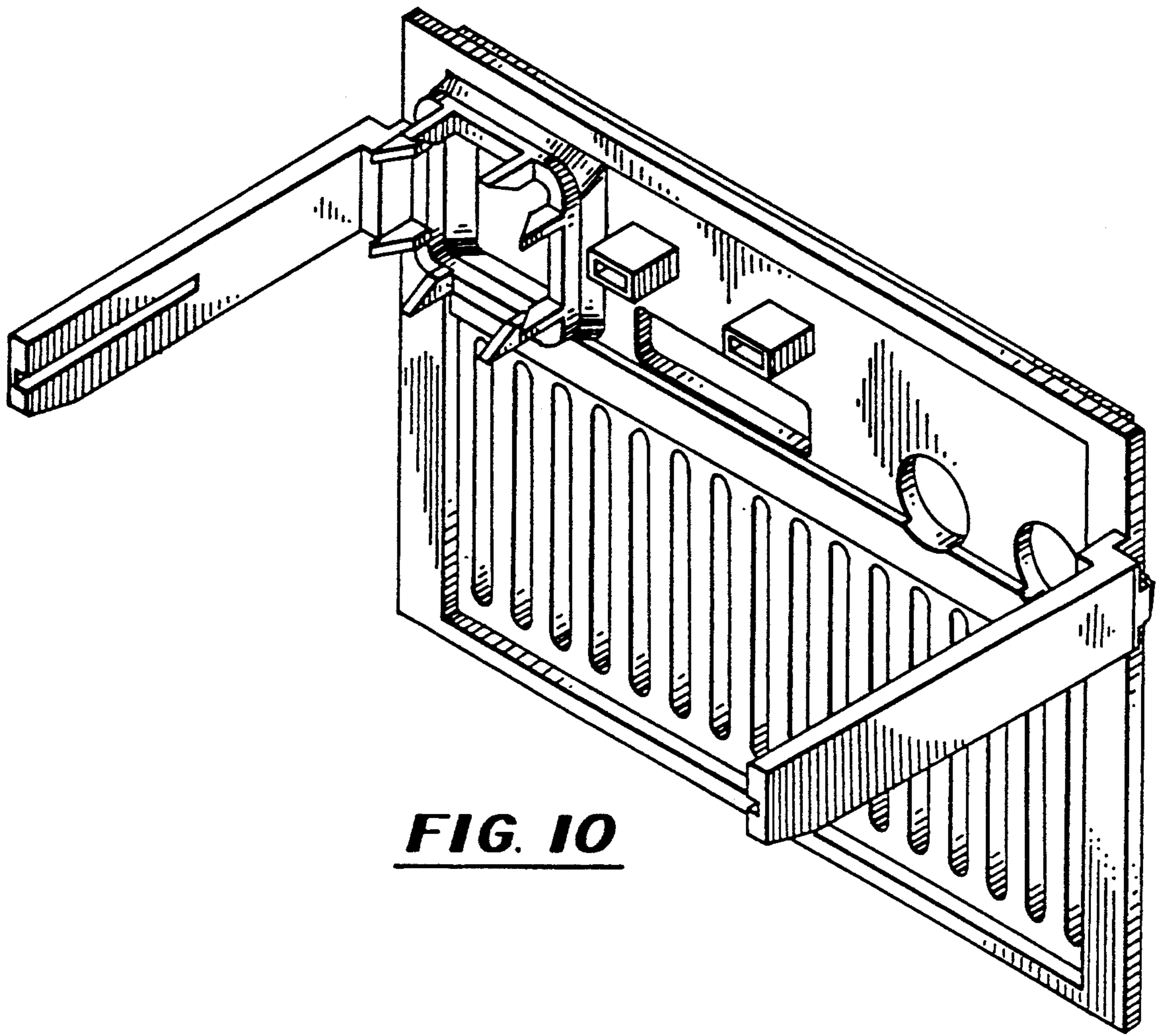


FIG. 10

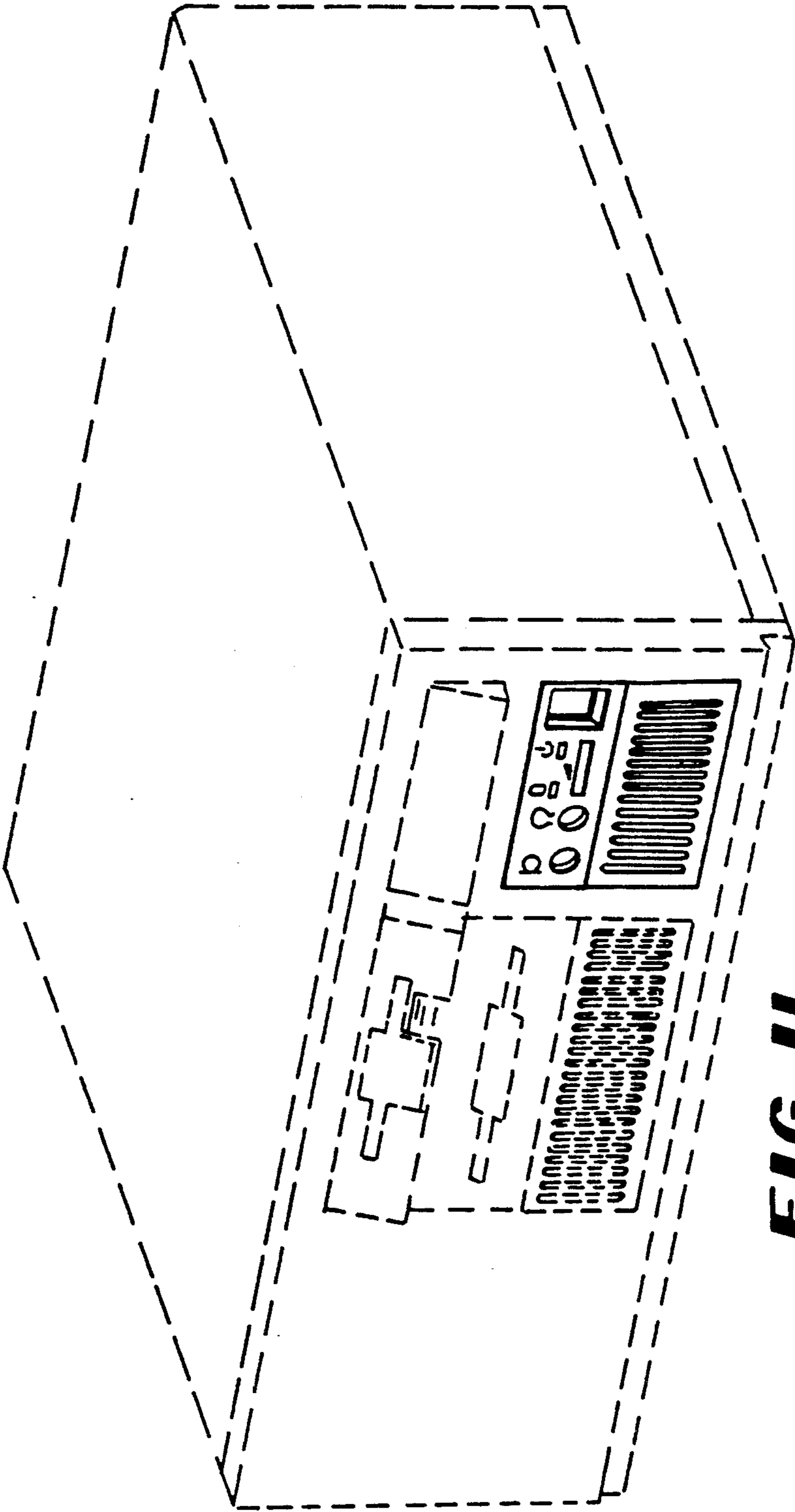


FIG. II