



US00D347831S

United States Patent [19]

[11] Patent Number: **Des. 347,831**

Lam

[45] Date of Patent: **** Jun. 14, 1994**

[54] TRANSMITTER FOR USE WITH A 3-D MOUSE

D. 325,578 4/1992 Daido et al. D14/155
D. 332,257 1/1993 Darling et al. D14/114
5,030,955 7/1991 Durst et al. 341/176

[75] Inventor: **Lawrence Lam**, Palo Alto, Calif.

Primary Examiner—Wallace R. Burke
Assistant Examiner—M. H. Tung
Attorney, Agent, or Firm—Townsend and Townsend
Khourie and Crew

[73] Assignee: **Logitech, Inc.**, Fremont, Calif.

[**] Term: **14 Years**

[21] Appl. No.: **714,534**

[57] CLAIM

[22] Filed: **Jun. 13, 1991**

The ornamental design for a transmitter for use with a 3-D mouse, as shown and described.

[52] U.S. Cl. **D14/114**

[58] Field of Search 178/18-19;
200/5 R, 5 A, 6 R, 6 A; 213/148 B; 273/148 B;
340/707, 709-710; 74/471 XY; 358/107;
367/127, 137, 907; D14/100, 114, 155, 204;
D13/158; D21/48

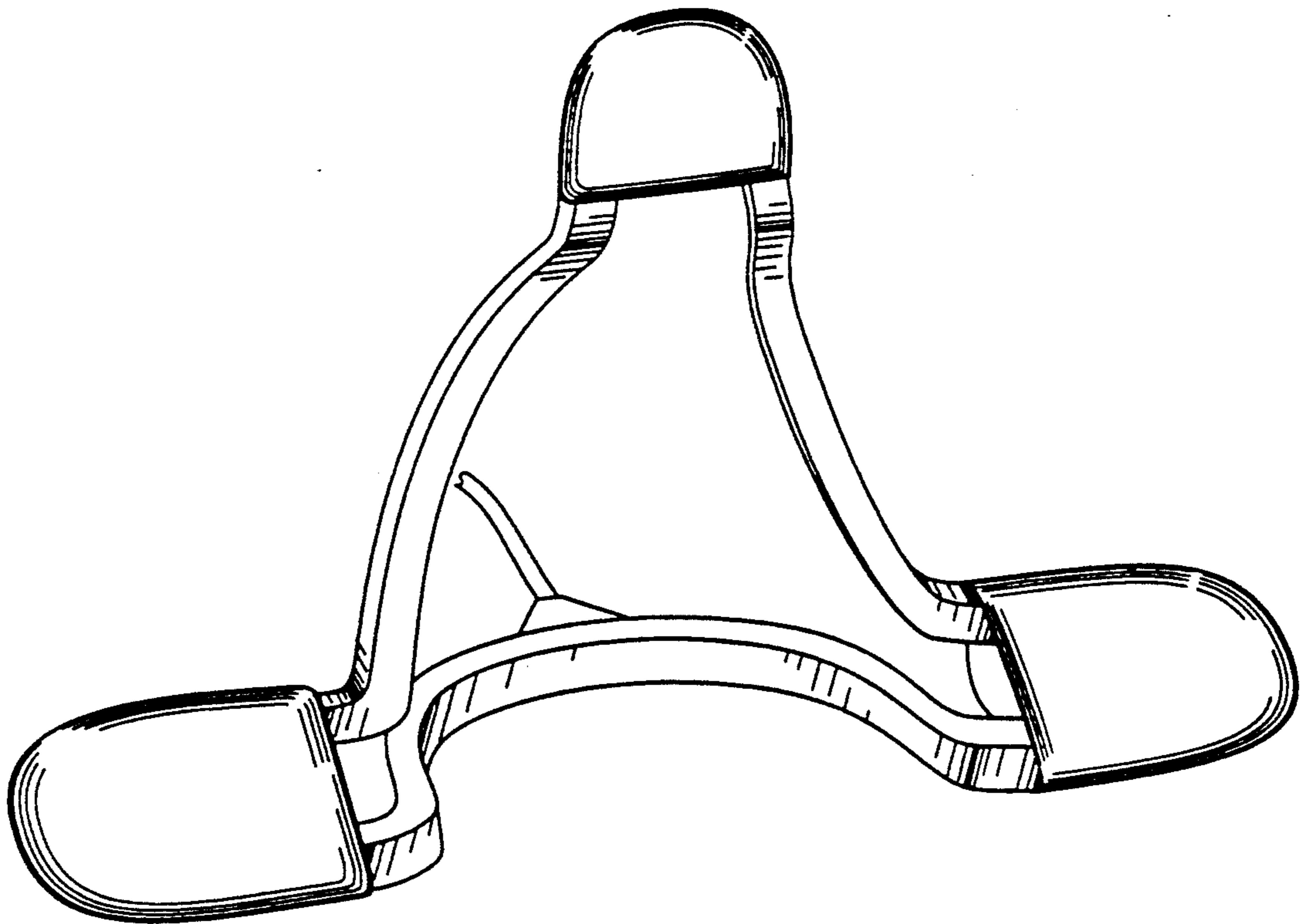
DESCRIPTION

[56] References Cited

U.S. PATENT DOCUMENTS

D. 306,168 2/1990 Caputo D14/204 X
D. 309,449 7/1990 MacDonald et al. D14/114
D. 325,570 4/1992 Jones D14/155

FIG. 1 is a descriptive view of a triangular-shaped transmitter, for use with a 3-D mouse, according to the present invention;
FIG. 2 is a left side elevational view of the transmitter of FIG. 1, the right side being a mirror image;
FIG. 3 is a top plan view of the transmitter of FIG. 1;
FIG. 4 is a rear elevational view of the transmitter of FIG. 1; and,
FIG. 5 is a bottom plan view of the transmitter of FIG. 1.



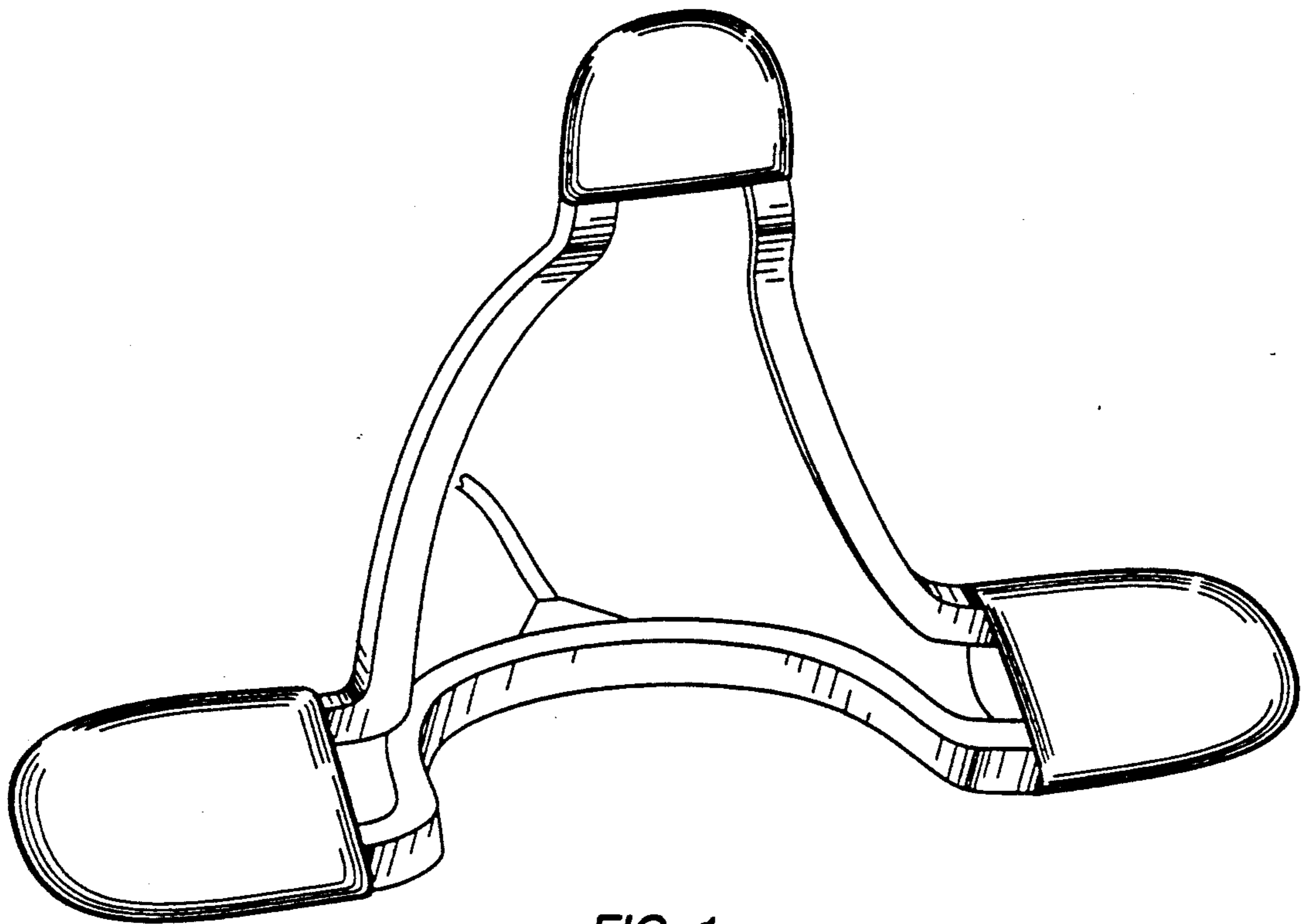


FIG. 1

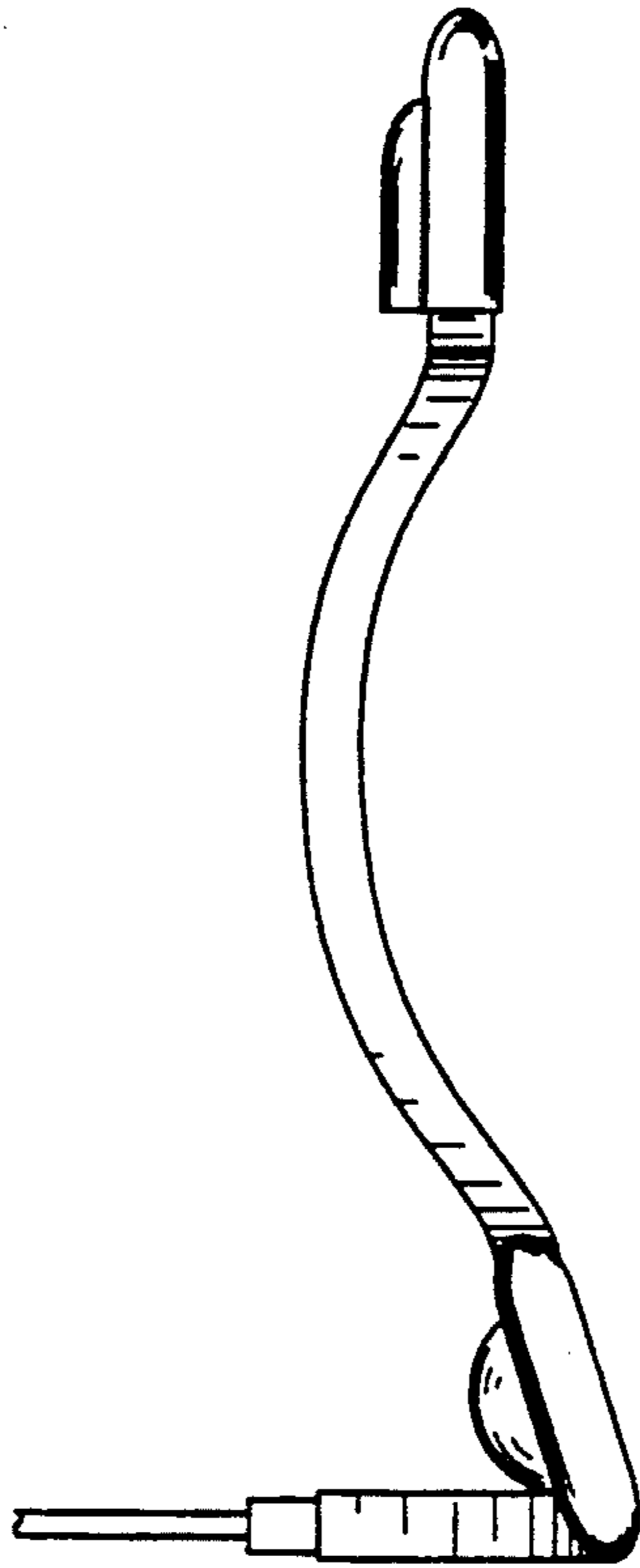


FIG. 2

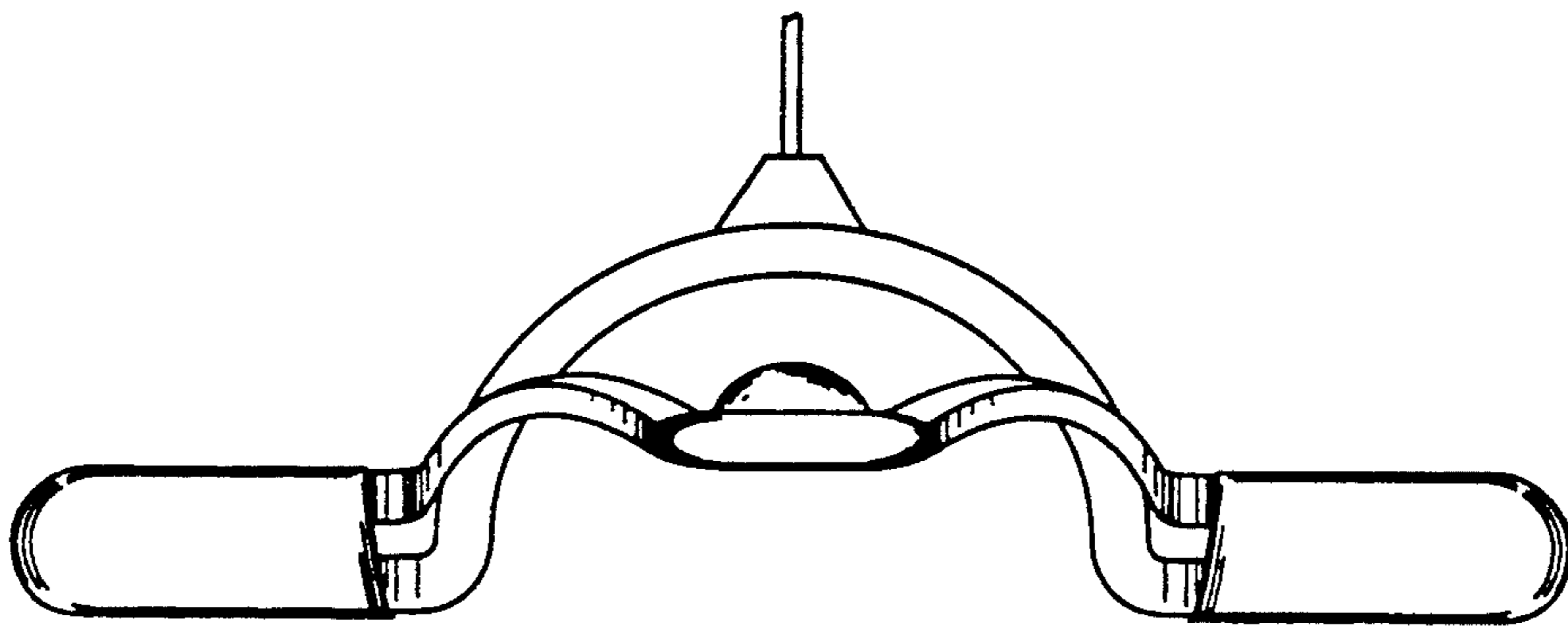


FIG. 3

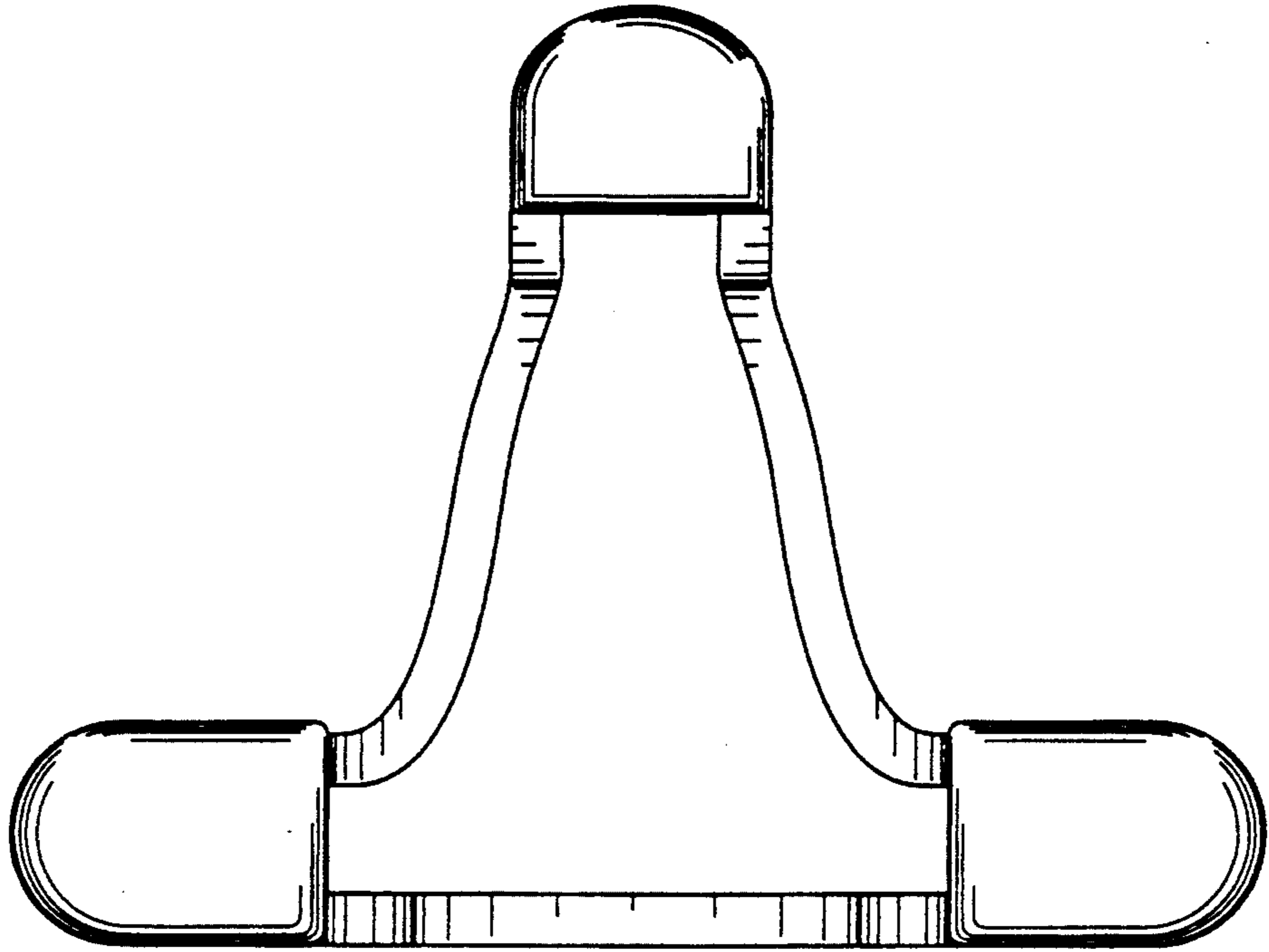


FIG. 4

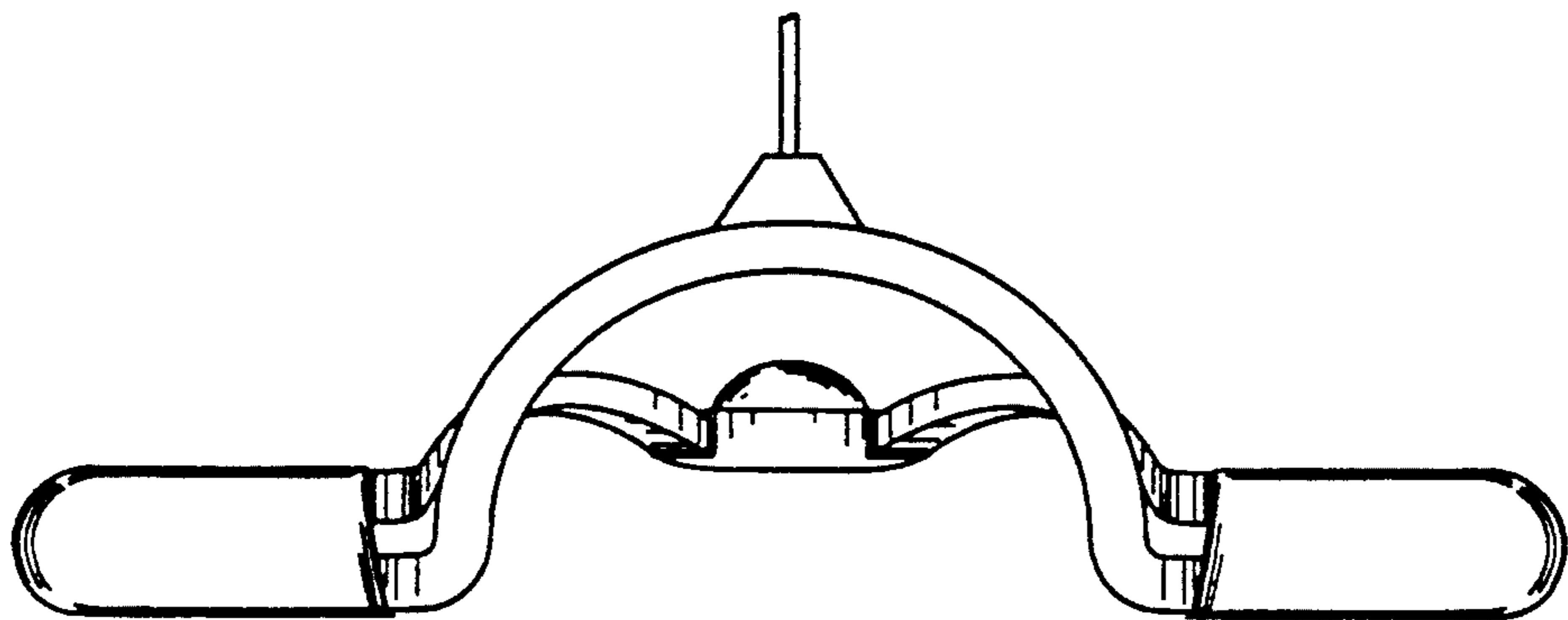


FIG. 5