



US00D347830S

# United States Patent [19]

[11] Patent Number: **Des. 347,830**

Lundgren et al.

[45] Date of Patent: **\*\* Jun. 14, 1994**

[54] VIDEO DISPLAY

[75] Inventors: **David A. Lundgren, Menlo Park;**  
**Kenneth D. Wood, Woodside;**  
**Raymond W. Riley, San Jose, all of Calif.**

- D. 308,054 5/1990 Peart ..... D14/113
- D. 308,196 5/1990 Willnauer ..... D14/113
- D. 314,373 2/1991 Sacherman ..... D14/113
- D. 316,086 4/1991 Gauffin ..... D14/113
- D. 320,390 10/1991 Williams et al. .... D14/113

[73] Assignee: **Apple Computer, Inc., Cupertino, Calif.**

*Primary Examiner*—Wallace R. Burke  
*Assistant Examiner*—Freda S. Nunn  
*Attorney, Agent, or Firm*—Franklyn C. Weiss

[\*\*] Term: **14 Years**

[57] CLAIM

[21] Appl. No.: **745,128**

The ornamental design for a video display, as shown and described.

[22] Filed: **Aug. 13, 1991**

[52] U.S. Cl. .... **D14/113**

[58] Field of Search ..... 340/700, 706; 358/249,  
358/254, 255; 248/917-924; D14/100, 101,  
106, 113, 124-127

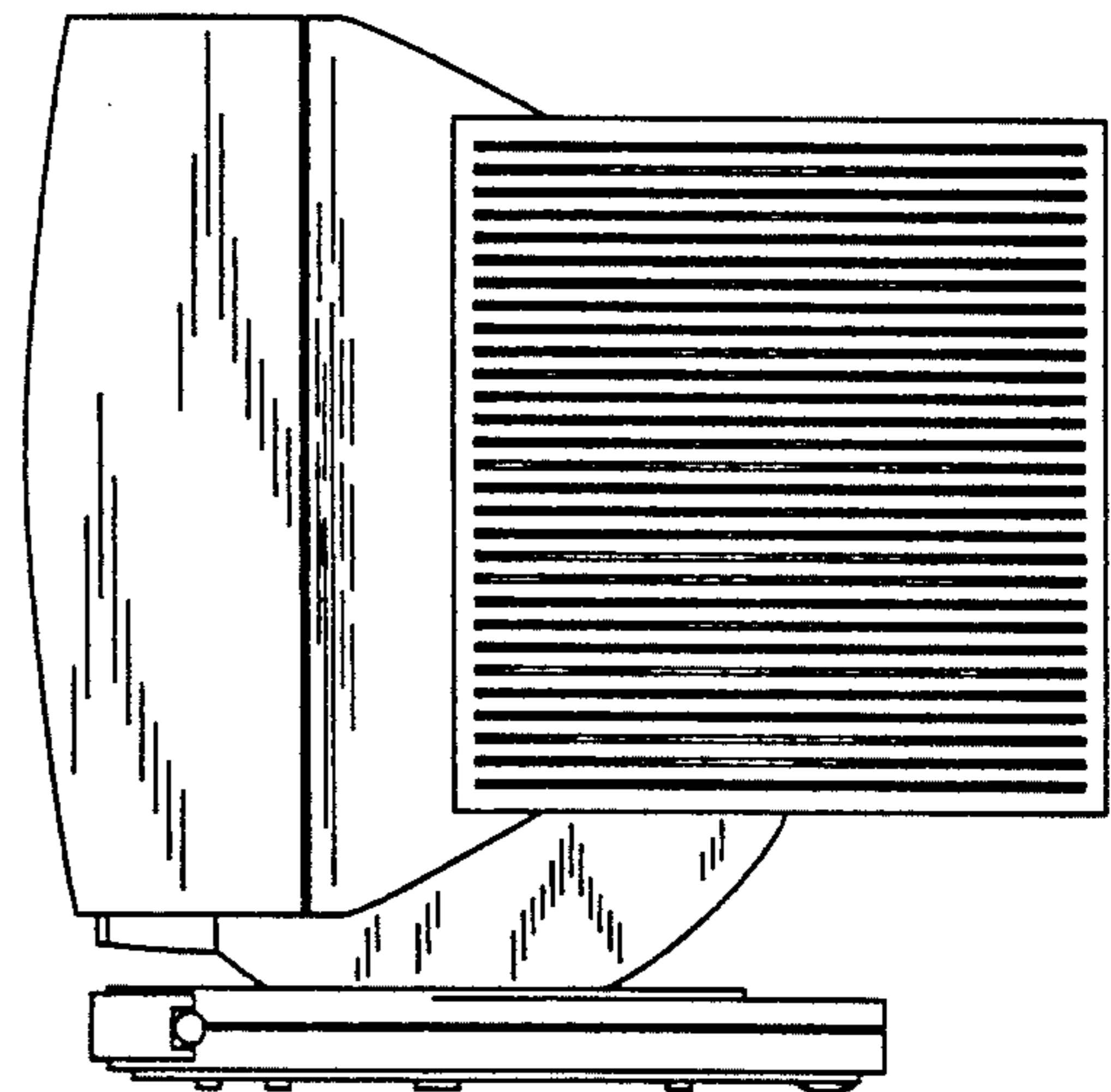
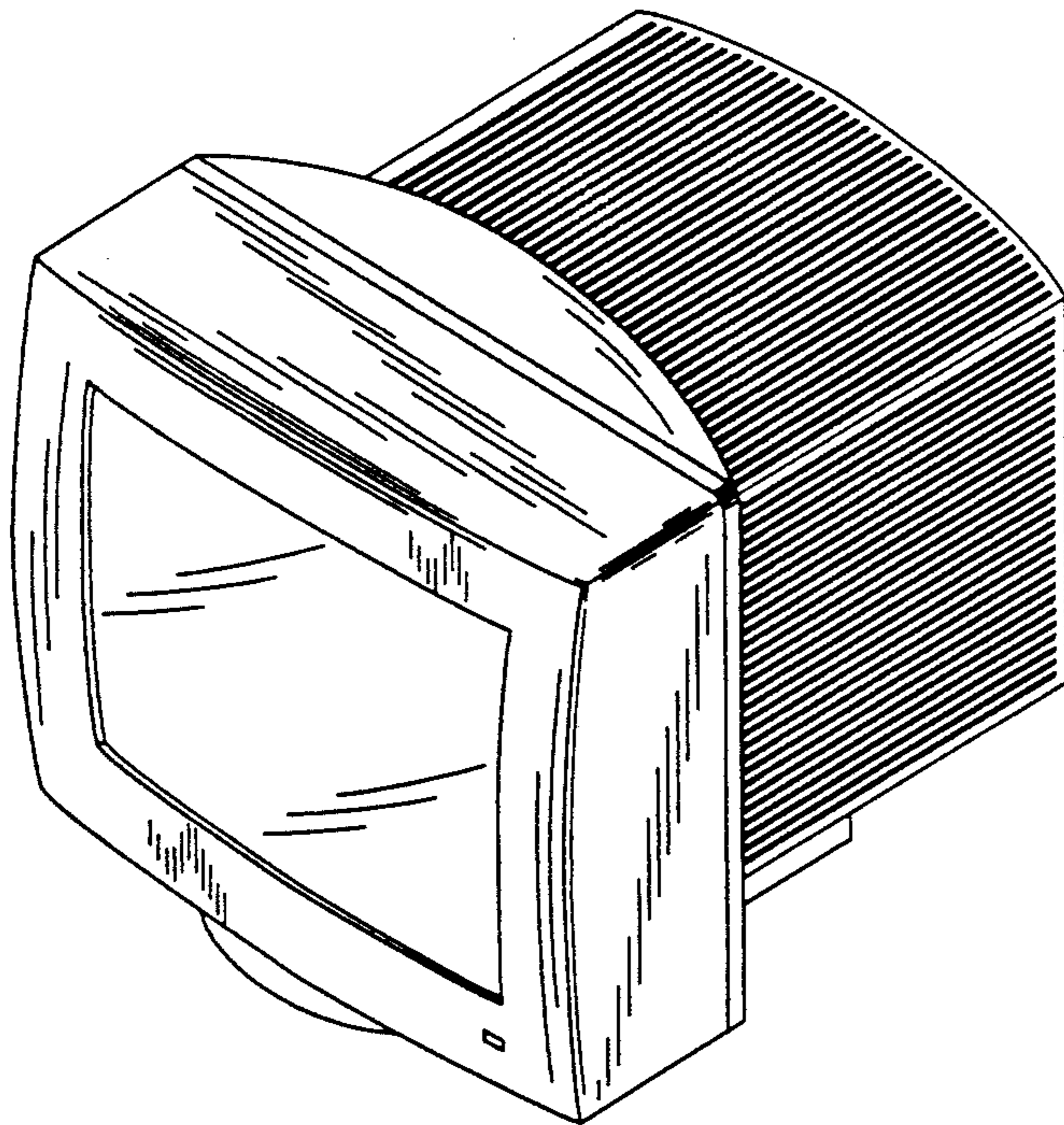
DESCRIPTION

FIG. 1 is a top, front, right side perspective view of a video display showing our new design;  
FIG. 2 is a top plan view thereof;  
FIG. 3 is a bottom plan view thereof;  
FIG. 4 is a front elevational view thereof;  
FIG. 5 is a left side elevational view thereof;  
FIG. 6 is a rear elevational view thereof; and,  
FIG. 7 is a right side elevational view thereof.

[56] References Cited

U.S. PATENT DOCUMENTS

D. 308,053 5/1990 Peart ..... D14/113



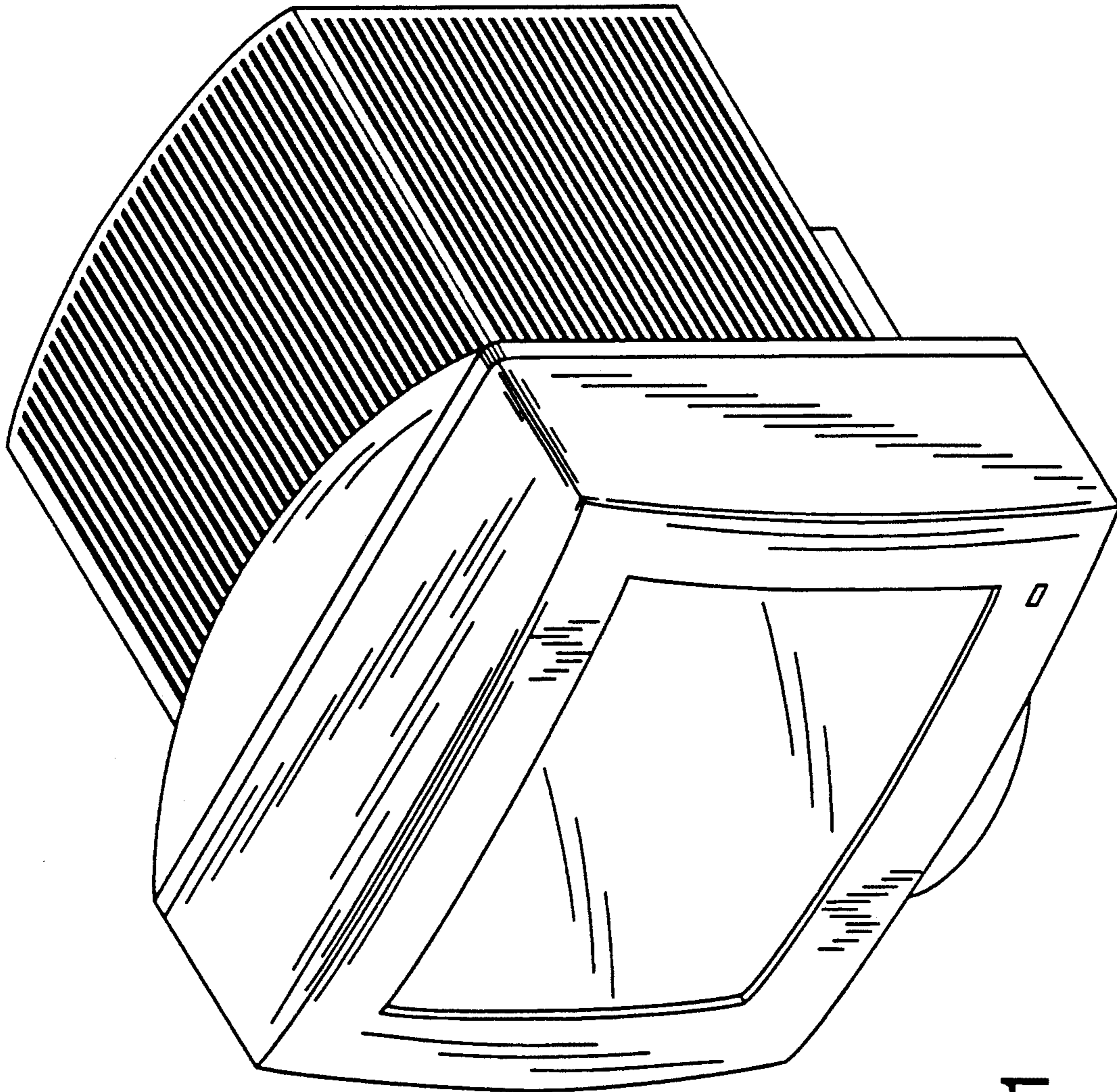


FIG. 1

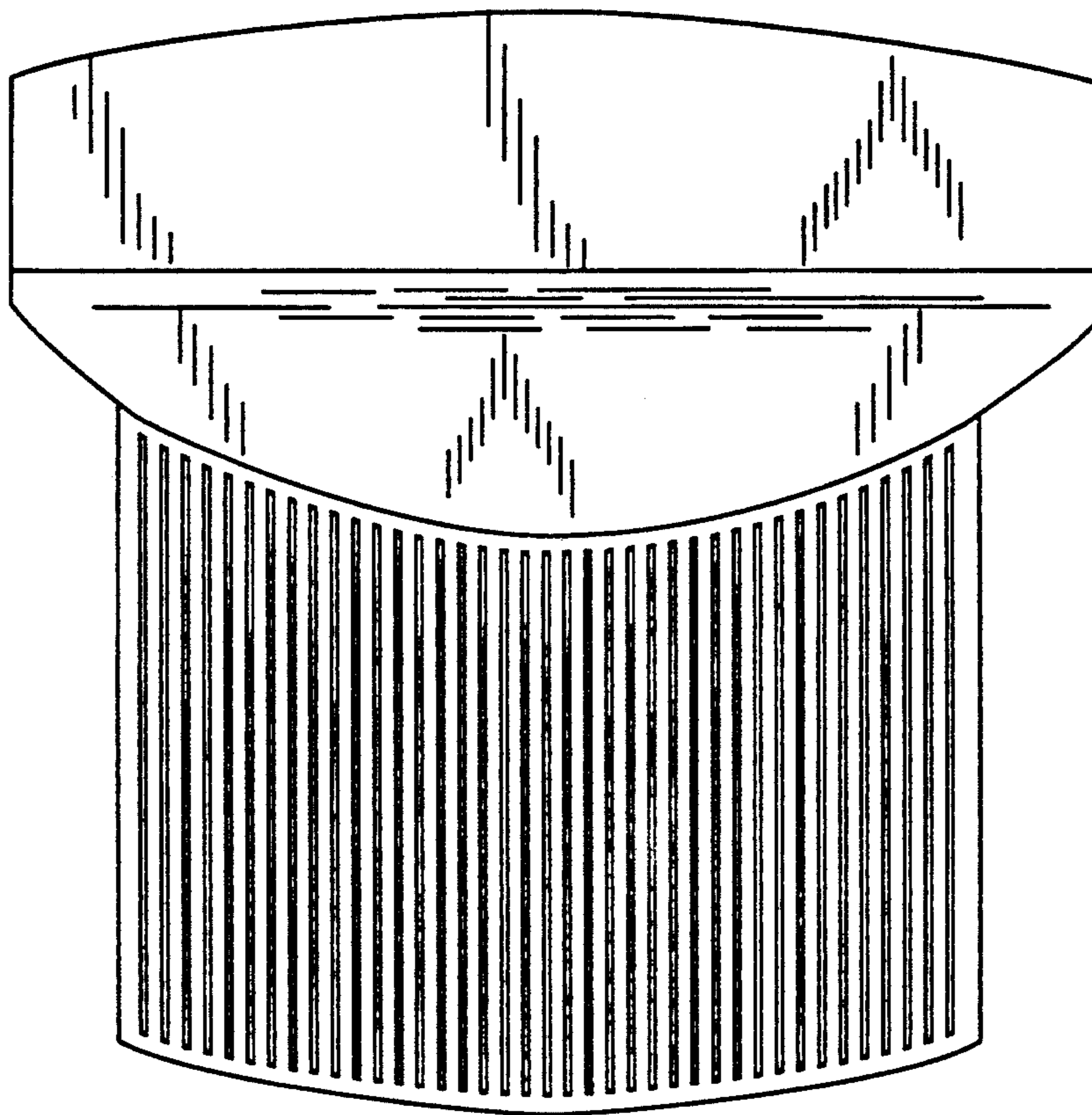


FIG. 2

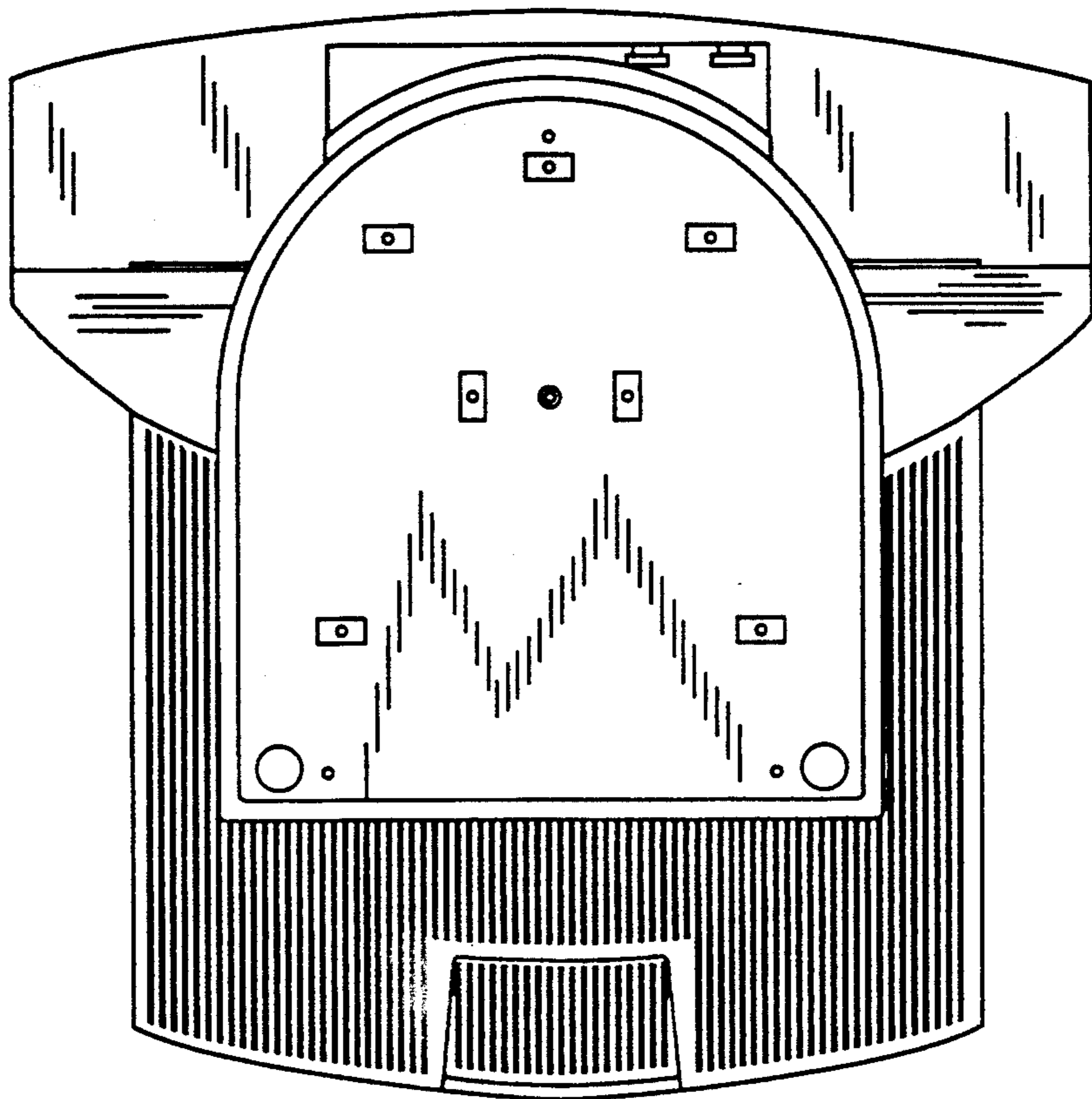


FIG. 3

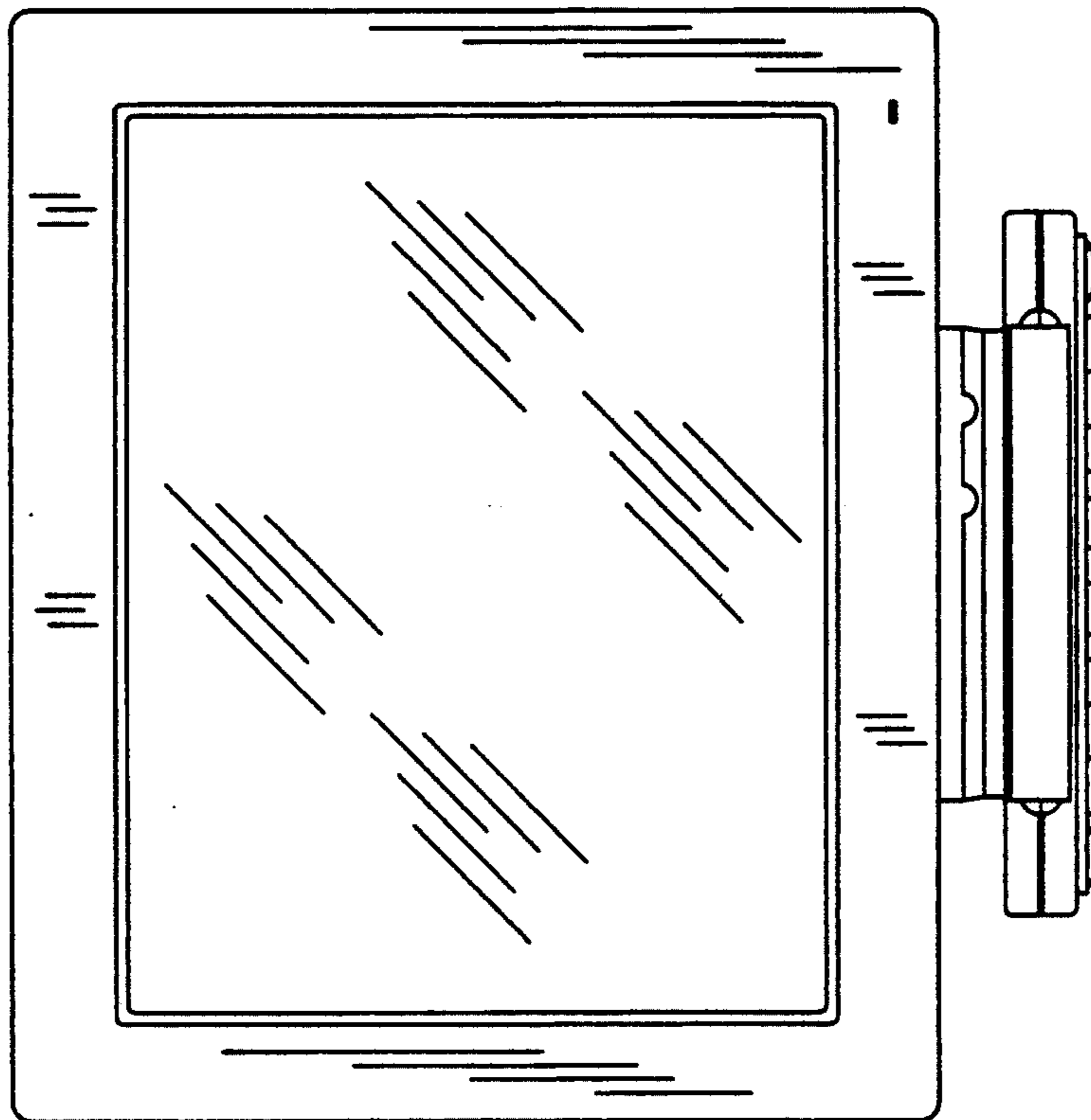


FIG. 4

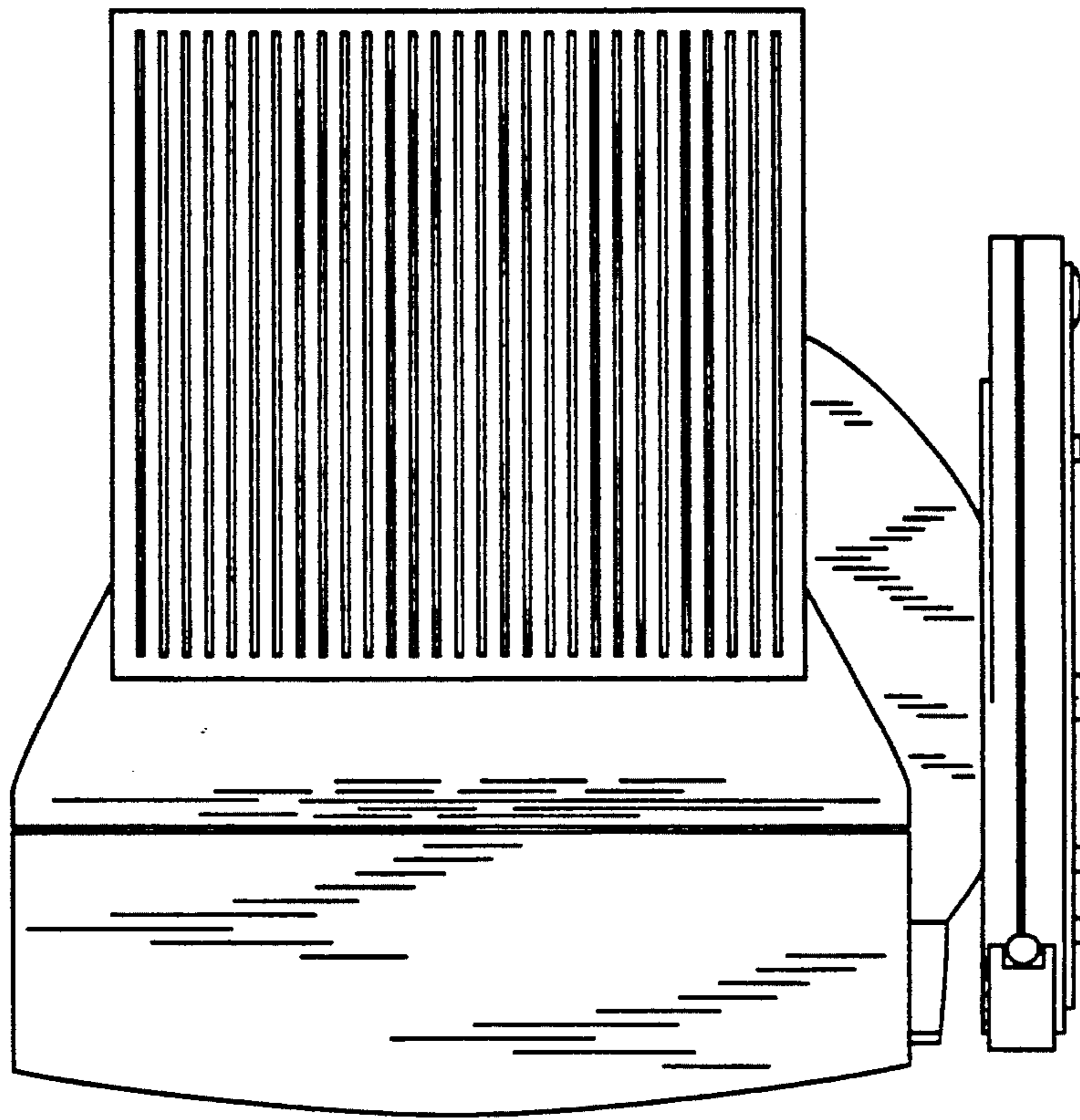


FIG. 5

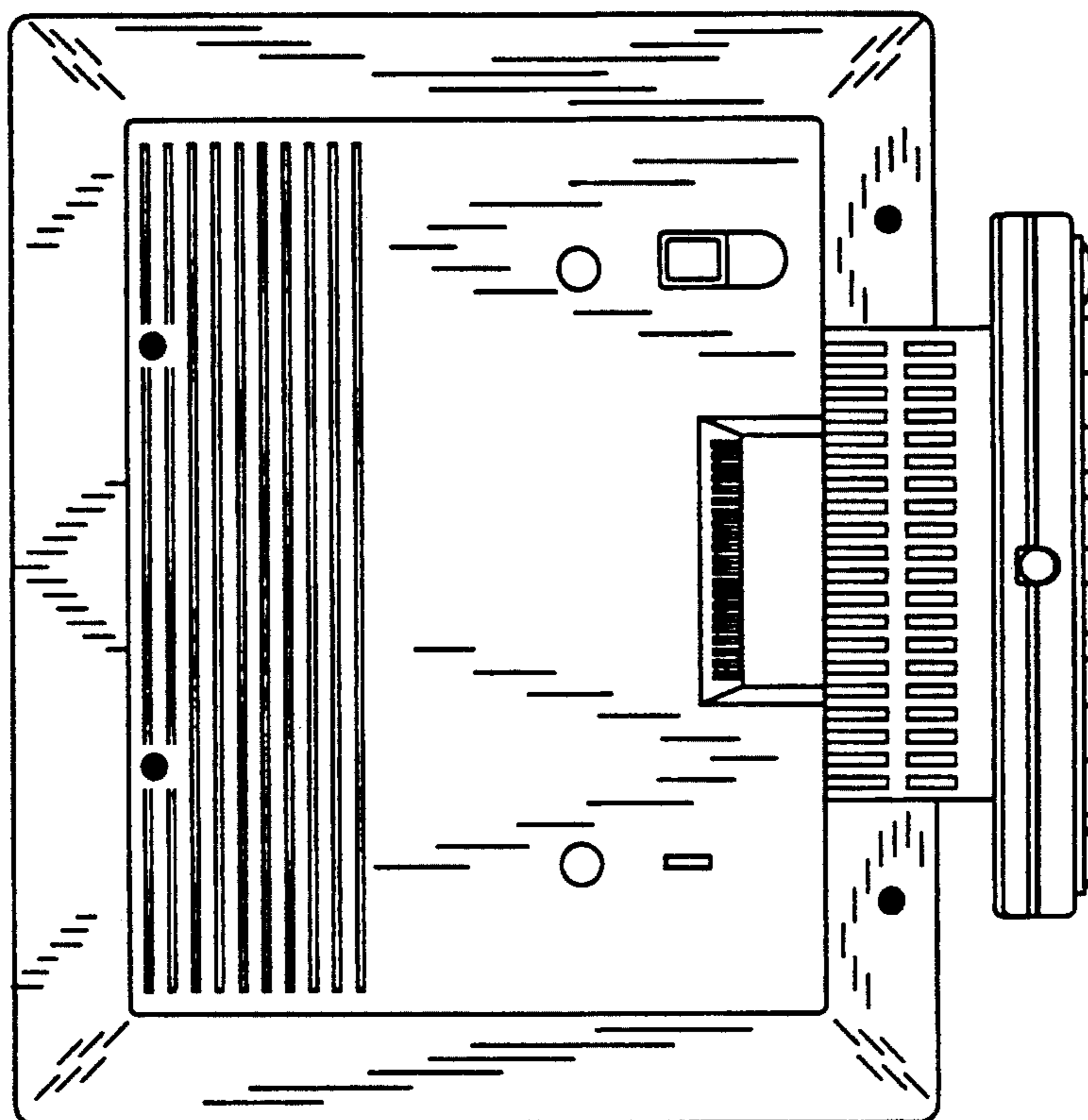


FIG. 6

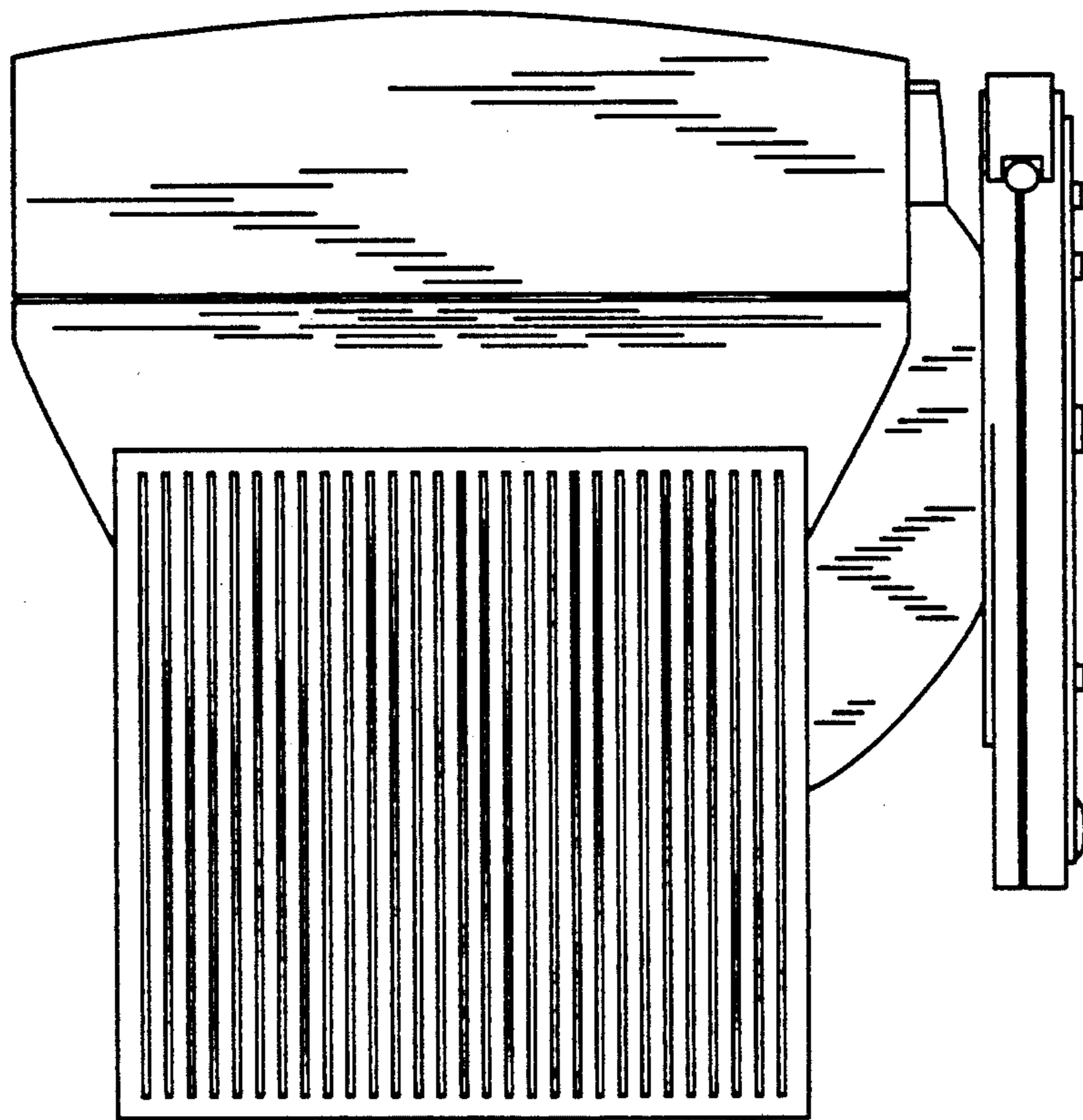


FIG. 7