



US00D347828S

United States Patent [19]

[11] Patent Number: Des. 347,828

Arakaki et al.

[45] Date of Patent: ** Jun. 14, 1994

[54] TRANSACTION SYSTEM CONSOLE

D. 335,286 5/1993 Savio D14/105
D. 335,381 5/1993 Miyake et al. D18/4 X

[75] Inventors: James S. Arakaki, Loomis; Allan Avnet, Fountain Valley; J. Mark Stanton, San Jose, all of Calif.

Primary Examiner—Wallace R. Burke
Assistant Examiner—Freda S. Nunn
Attorney, Agent, or Firm—Lowell C. Bergstedt

[73] Assignee: Verifone, Inc., Redwood City, Calif.

[57] CLAIM

[**] Term: 14 Years

The ornamental design for a transaction system console, as shown and described.

[21] Appl. No.: 794,166

DESCRIPTION

[22] Filed: Nov. 18, 1991

[52] U.S. Cl. D14/105; D18/4

[58] Field of Search 235/145 A, 145 R, 7 R, 235/383; 364/405; 340/700, 706; 194/205; D14/100, 105, 106, 115; D18/1, 4, 7

FIG. 1 is an enlarged perspective view of a transaction system console showing our new design;

FIG. 2 is a top plan view thereof;

FIG. 3 is a right side elevational view thereof, the left side is identical in appearance; the keys are shown in broken lines for illustrative purposes only in FIG. 3 and form no part of the claim's design; and,

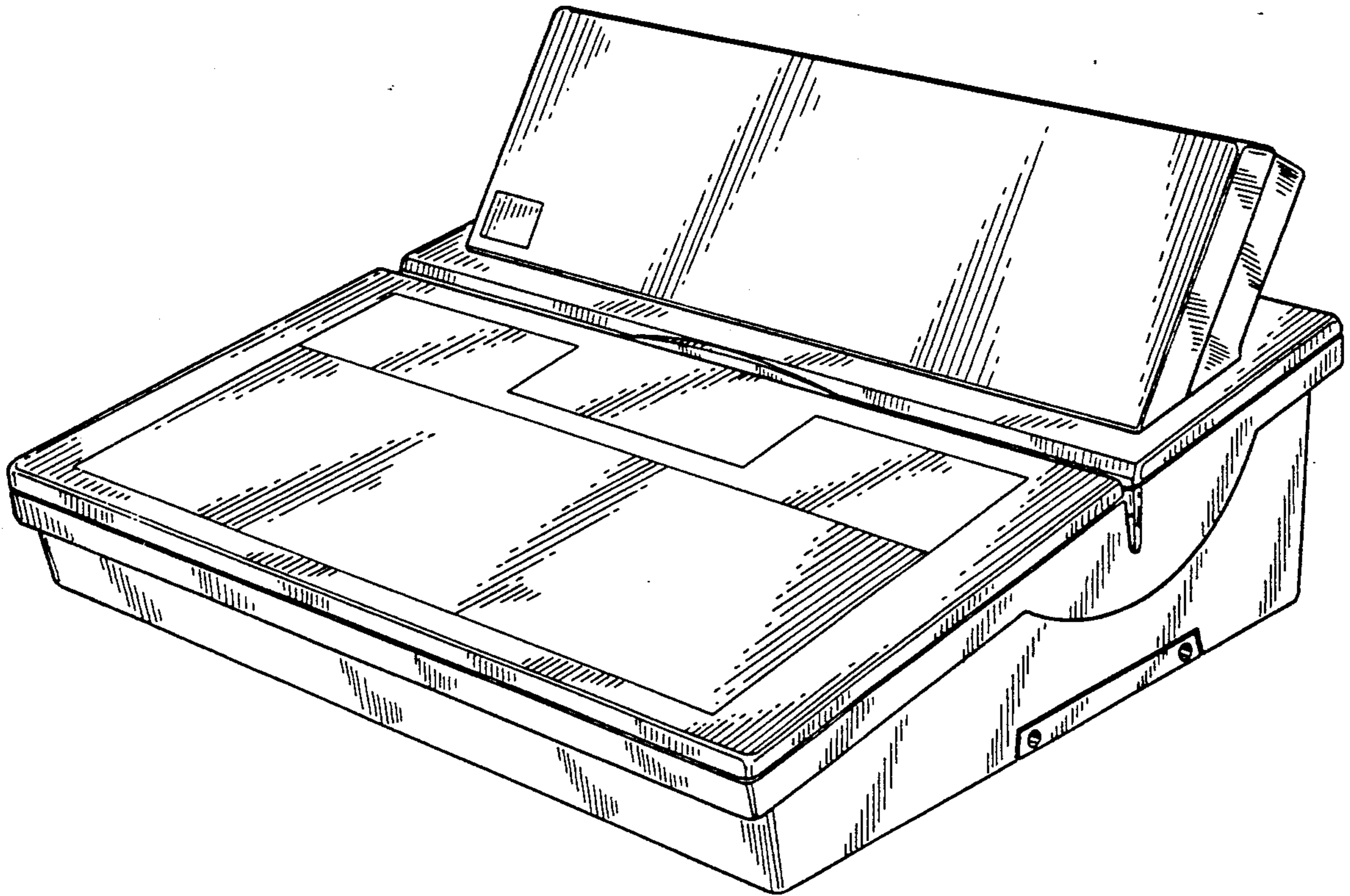
FIG. 4 is a front elevational view thereof.

The rear side of the illustrated transaction system console is unornamented.

[56] References Cited

U.S. PATENT DOCUMENTS

D. 314,970 2/1991 Tomoike D18/4
D. 330,722 11/1992 Je D18/4



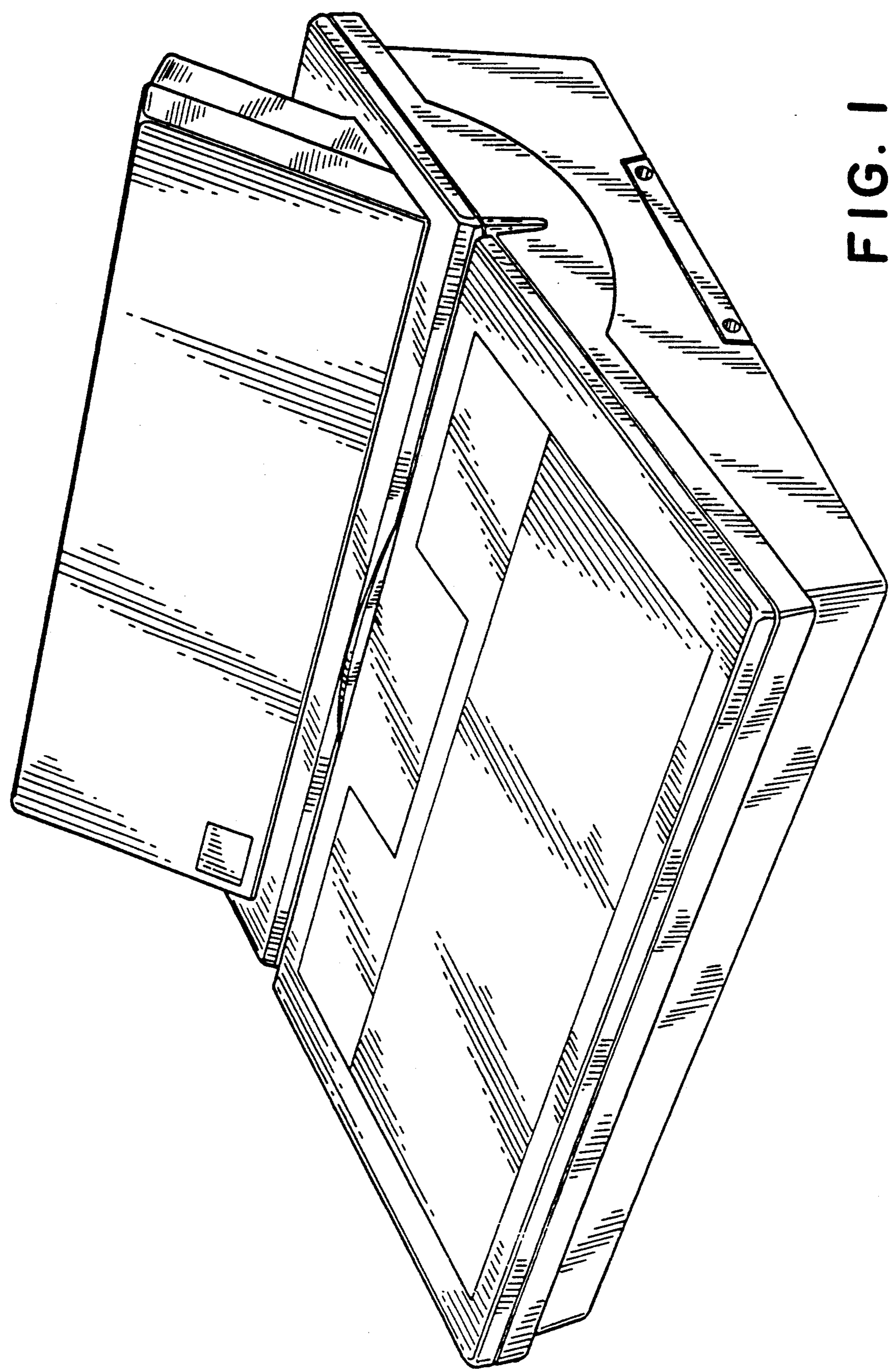


FIG. 1

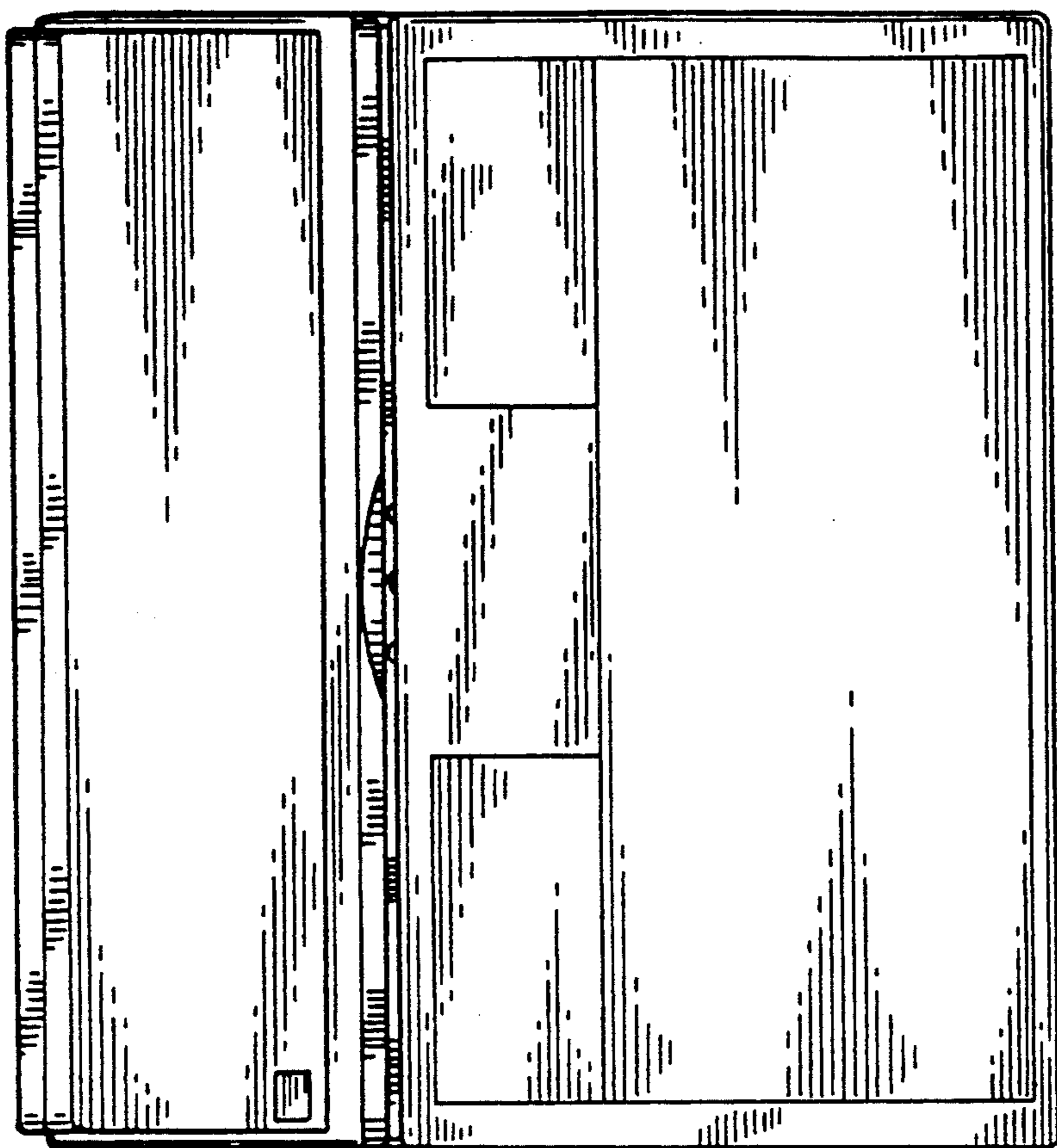


FIG. 2

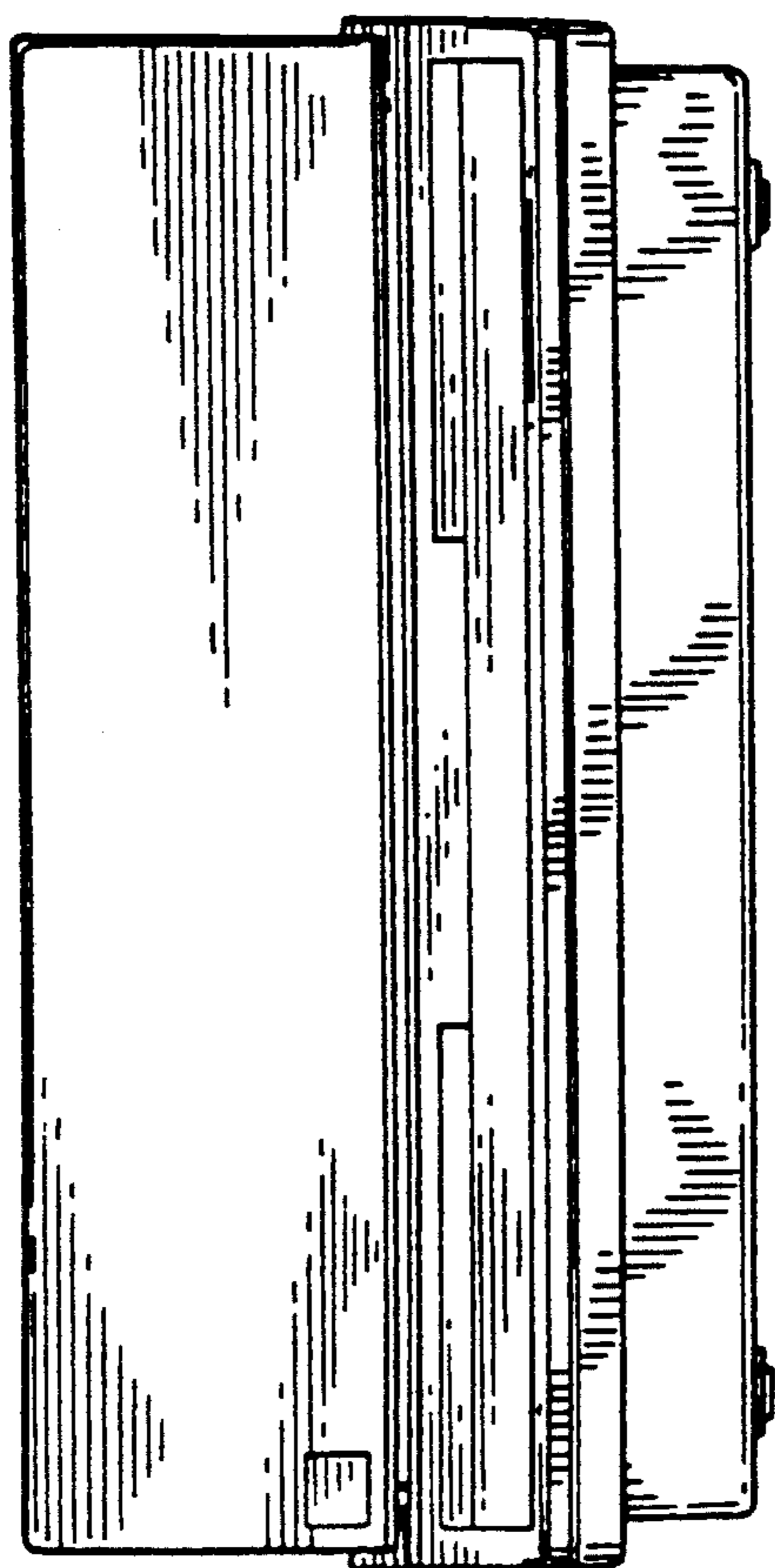


FIG. 4

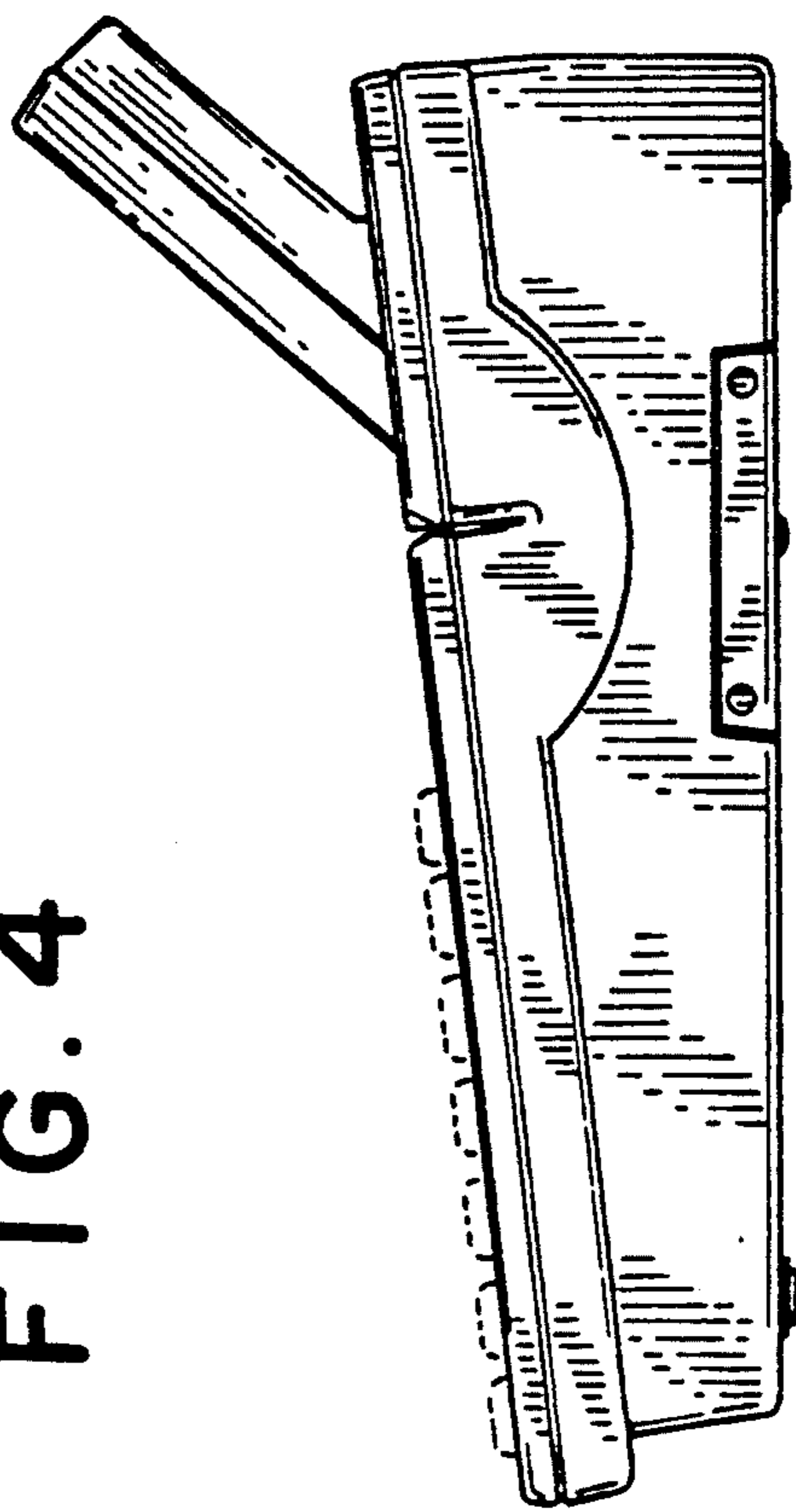


FIG. 3