



US00D347827S

United States Patent [19] Noble

[11] Patent Number: **Des. 347,827**
[45] Date of Patent: **** Jun. 14, 1994**

[54] **COMPUTER HOUSING**
[75] Inventor: **Scott L. Noble, Beaverton, Oreg.**
[73] Assignee: **Intel Corporation, Santa Clara, Calif.**
[**] Term: **14 Years**
[21] Appl. No.: **3,035**
[22] Filed: **Dec. 28, 1992**
[52] U.S. Cl. **D14/102**
[58] Field of Search **312/208.1; 360/99.12;
361/390-395; D14/100, 102, 107-109;
D13/162, 184, 199**

D. 337,758 7/1993 Barbera et al. D14/102

Primary Examiner—James M. Gandy
Assistant Examiner—Freda S. Nunn
Attorney, Agent, or Firm—Blakely, Sokoloff, Taylor & Zafman

[57] CLAIM

The ornamental design for a computer housing, as shown and described.

DESCRIPTION

FIG. 1 is an enlarged top perspective view of a computer housing showing the new design; FIG. 2 is a front view thereof; FIG. 3 is a rear view thereof; FIG. 4 is a right side view thereof; FIG. 5 is a left side view thereof; FIG. 6 is a top view thereof; and, FIG. 7 is a bottom view thereof.

[56] References Cited U.S. PATENT DOCUMENTS

D. 306,284 2/1990 Koepke D14/102
D. 334,737 4/1993 Landry D14/102
D. 337,571 7/1993 Clark et al. D14/102

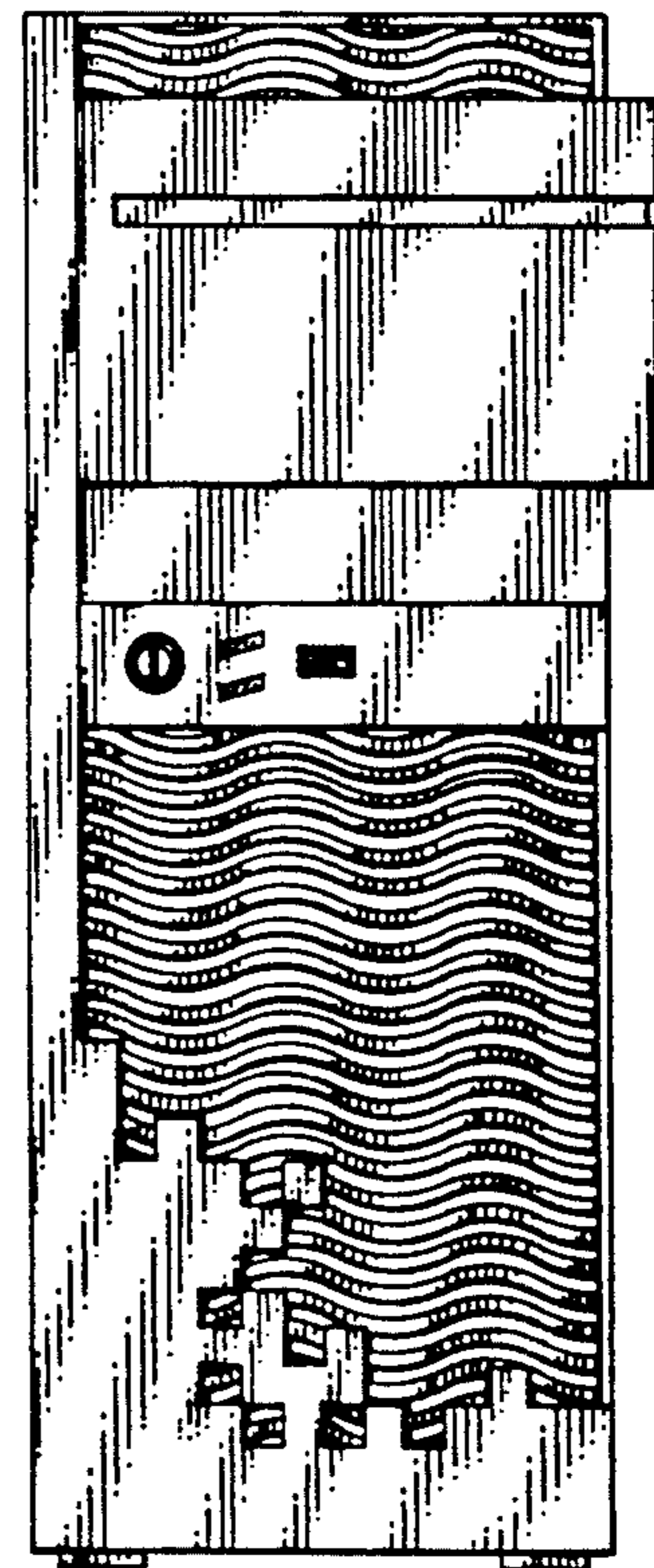
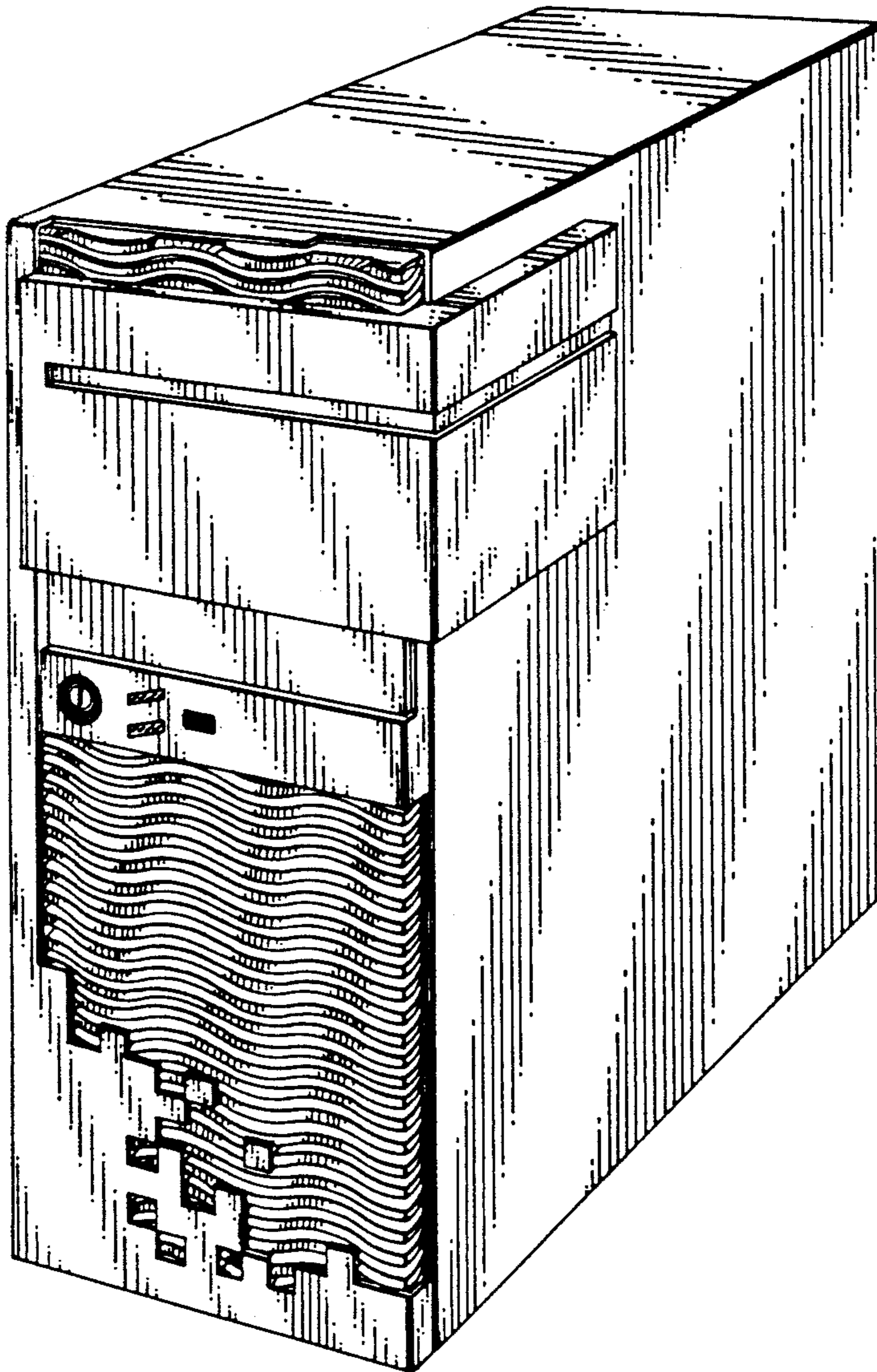


FIG 1

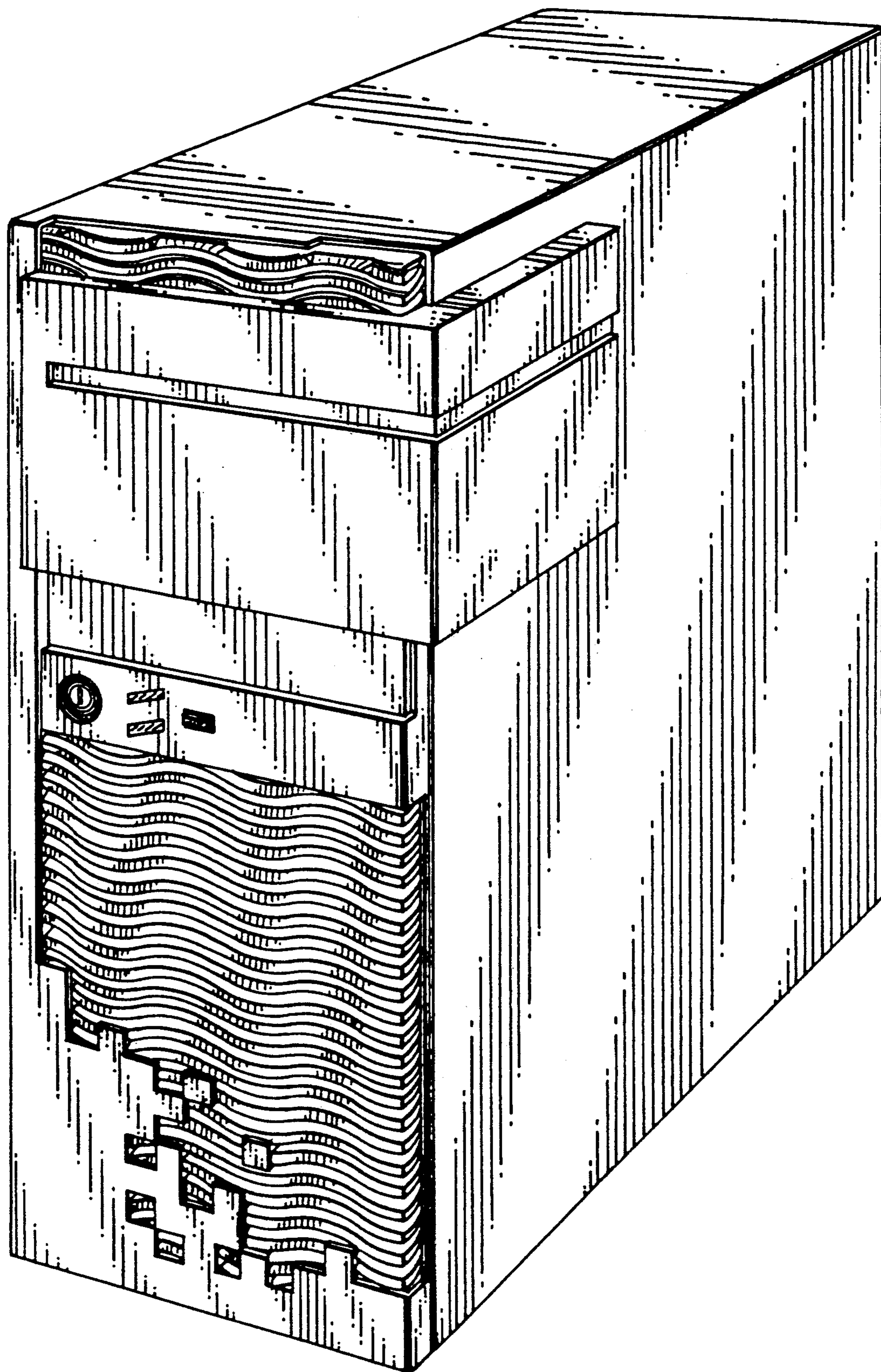


FIG 2

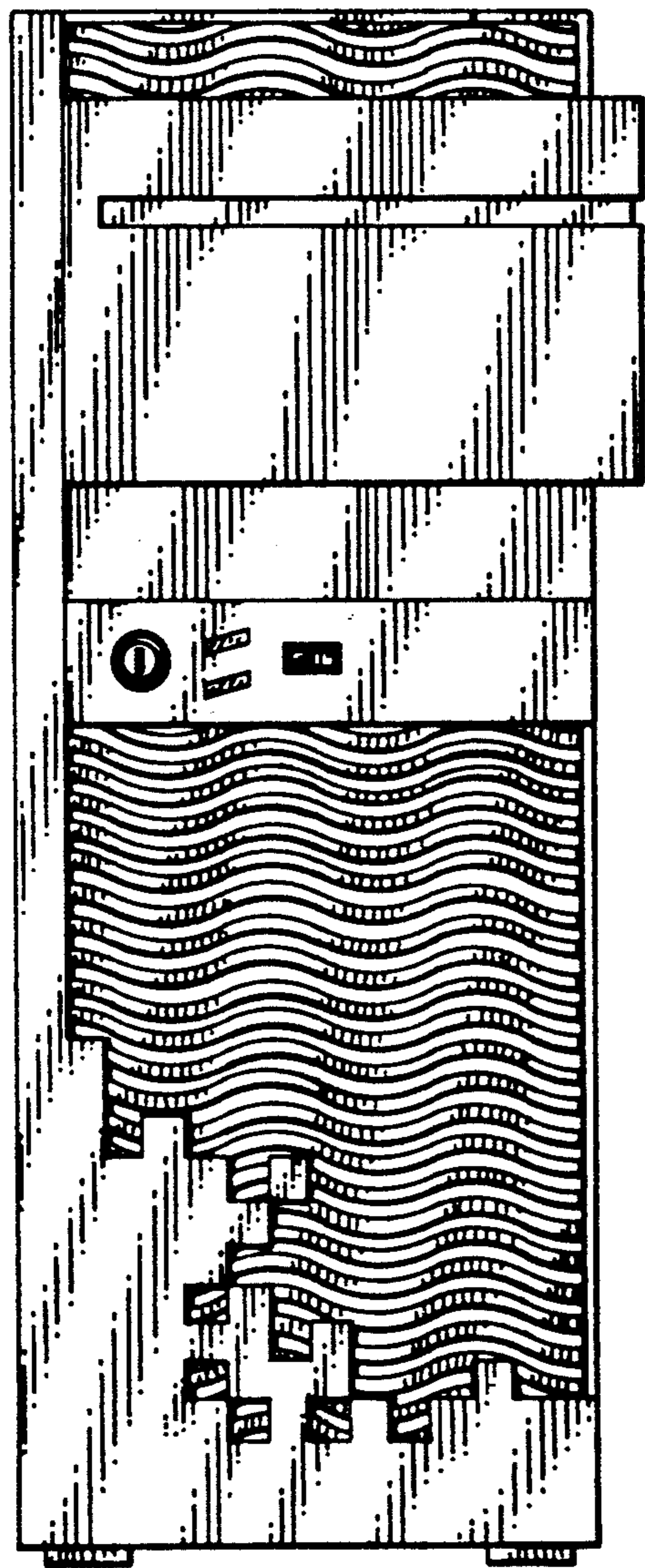
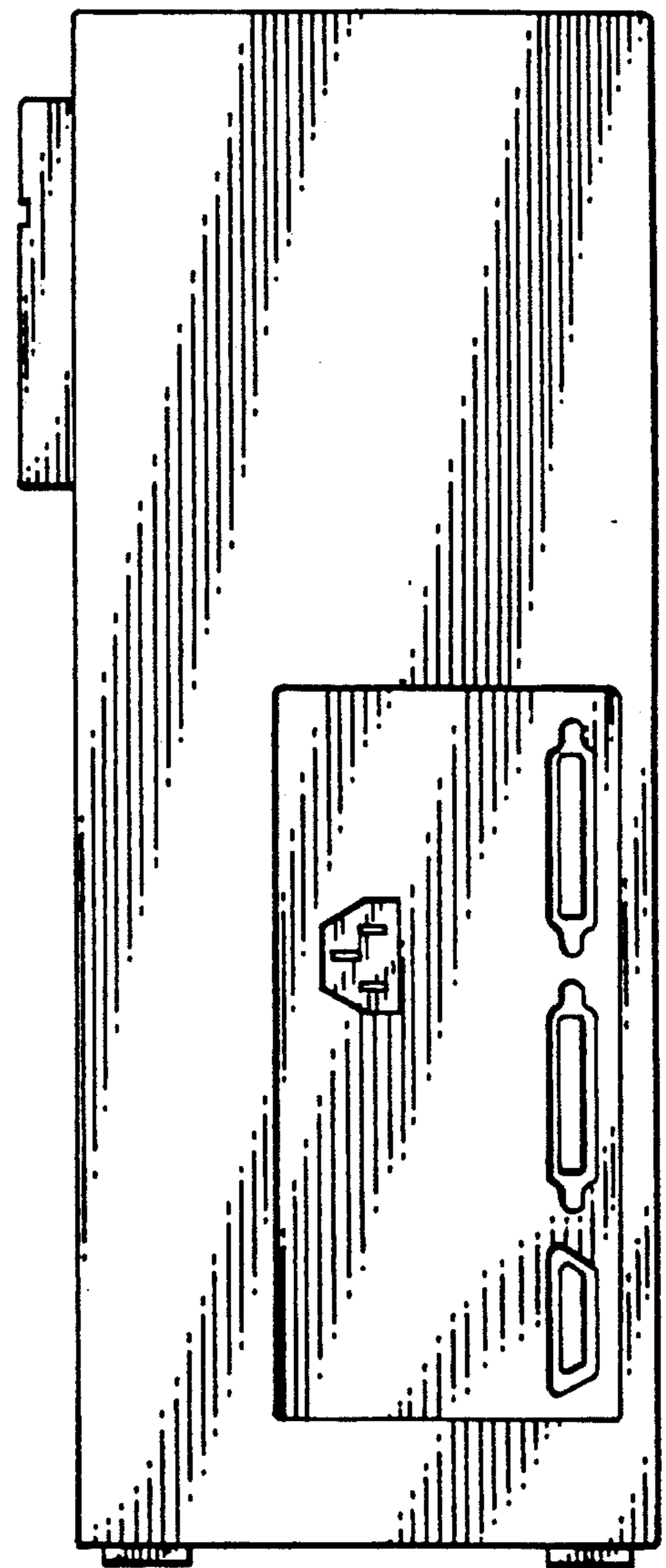


FIG 3



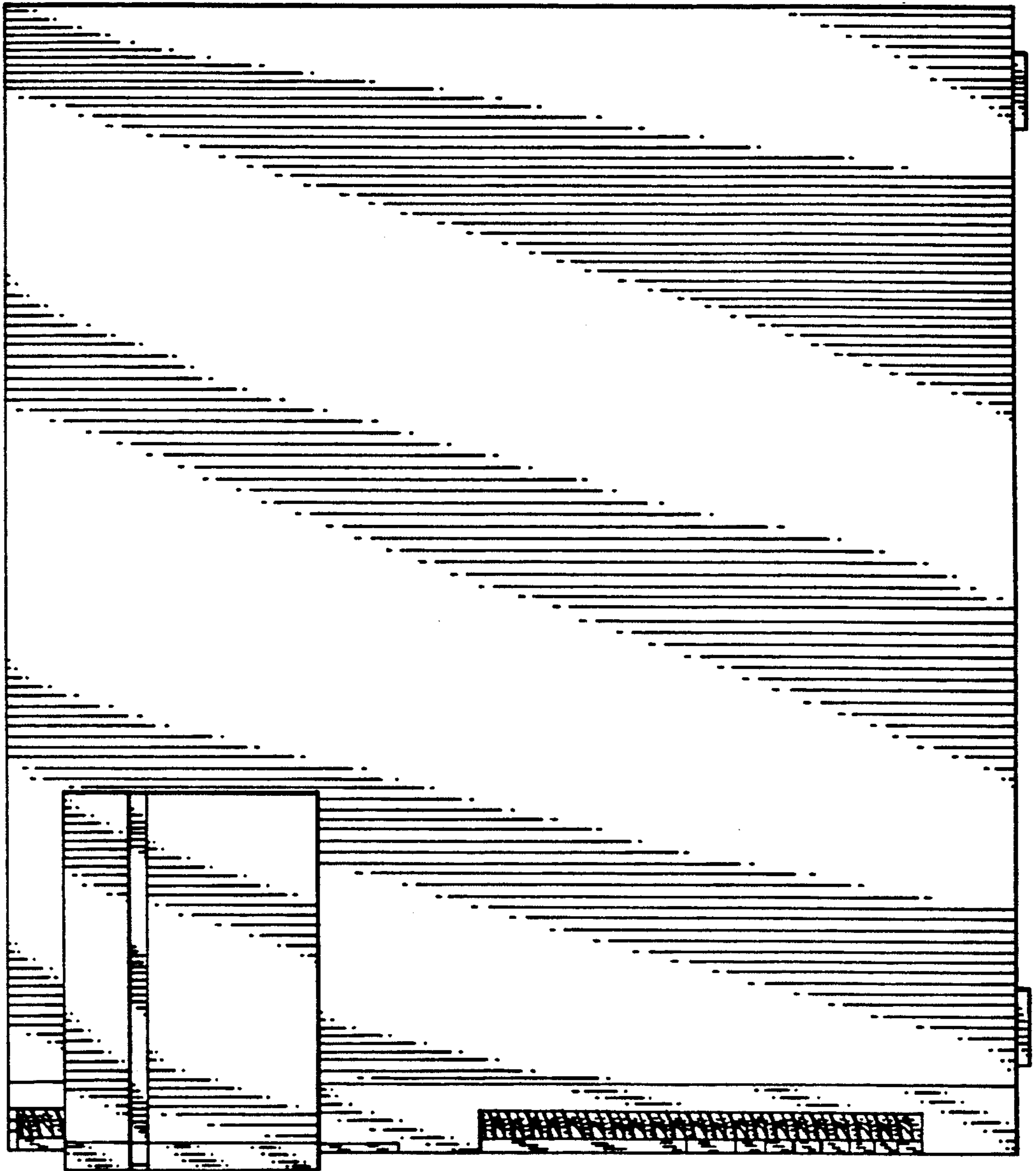


FIG 4

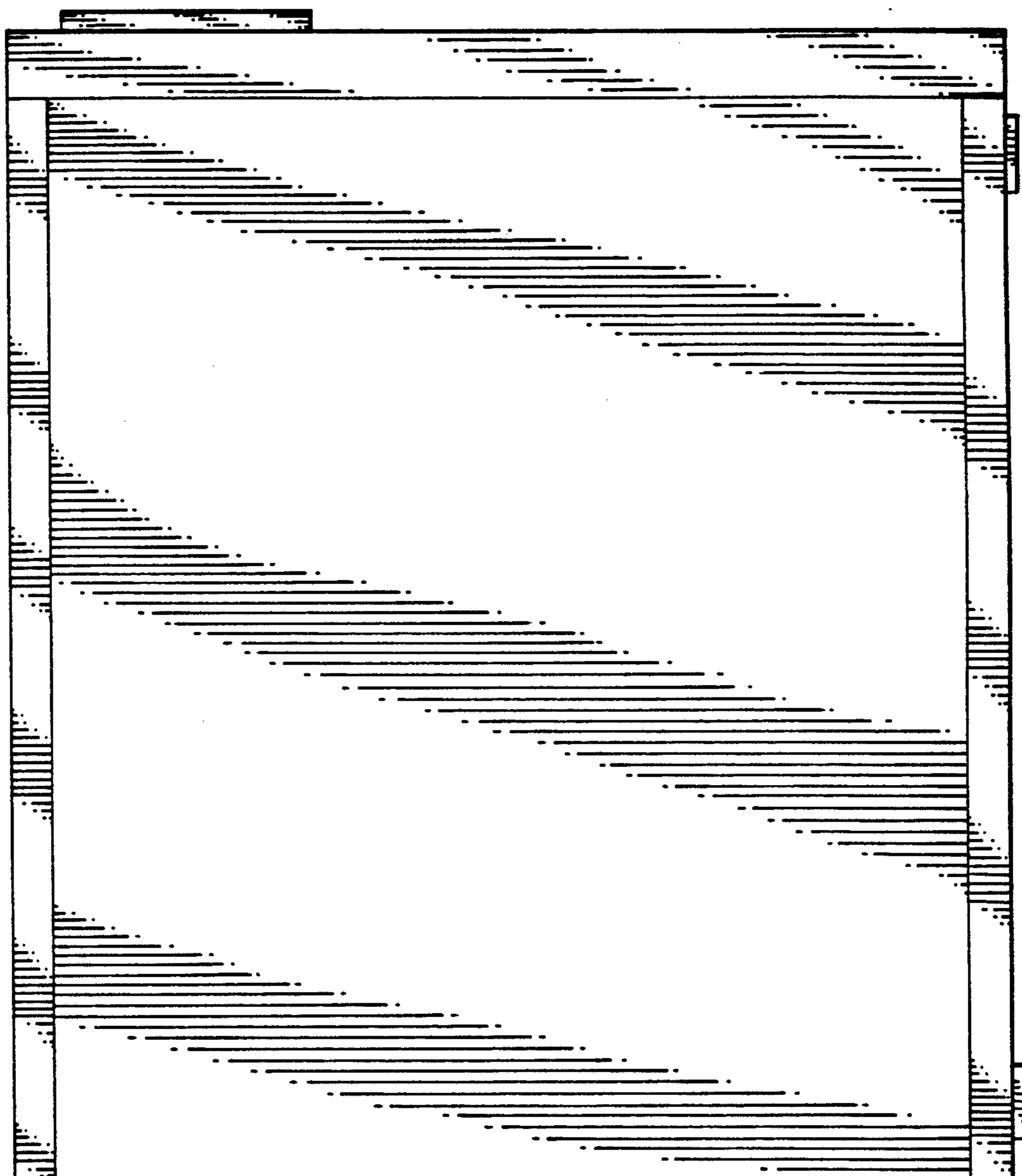


FIG. 5

FIG 6

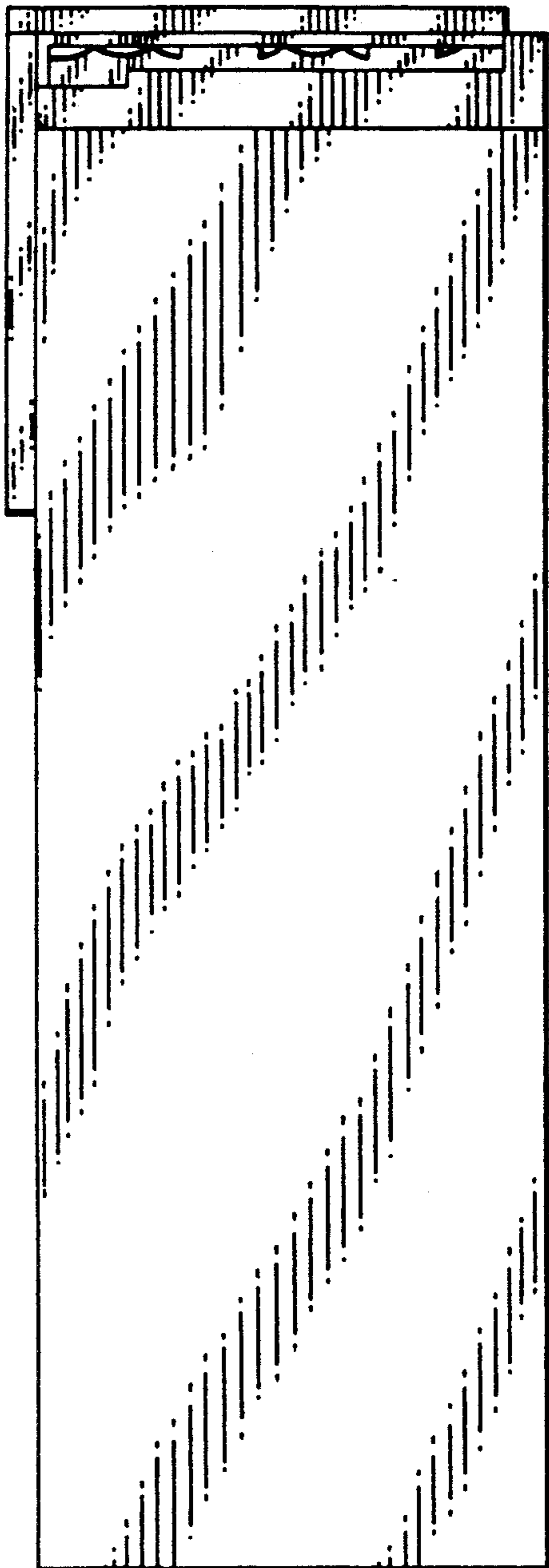


FIG 7

