



US00D347825S

United States Patent [19]

Zarnowitz et al.

[11] Patent Number: **Des. 347,825**

[45] Date of Patent: **** Jun. 14, 1994**

[54] **OUTER SURFACE OF A POWER SUPPLY BEZEL**

[75] Inventors: **Arthur H. Zarnowitz, Burlingame; Stewart R. Carl, Palo Alto, both of Calif.**

[73] Assignee: **Kensington Microware Limited, San Mateo, Calif.**

[**] Term: **14 Years**

[21] Appl. No.: **4,055**

[22] Filed: **Jan. 25, 1993**

[52] U.S. Cl. **D13/177**

[58] Field of Search **D8/353; 361/600, 622, 361/679, 724; 307/64, 66; D13/100, 162, 164, 177, 184**

[56] **References Cited**

U.S. PATENT DOCUMENTS

- D. 269,605 7/1983 Provanzano et al. D13/164
- D. 313,014 12/1990 Kline et al. D14/102

Primary Examiner—Wallace R. Burke
Assistant Examiner—Joel Sincavage

Attorney, Agent, or Firm—Townsend and Townsend Khourie and Crew

[57] **CLAIM**

The ornamental design for a outer surface of a power supply bezel, as shown and described.

DESCRIPTION

FIG. 1 is a perspective view of the outer surface of a power supply bezel showing our new design. The broken line showing throughout the drawings is included for the purpose of illustrating environmental elements only and forms no part of the claimed design;

FIG. 2 is a top plan view thereof;

FIG. 3 is a front elevational view thereof;

FIG. 4 is a left side elevational view thereof;

FIG. 5 is a right side elevational view thereof;

FIG. 6 is a bottom plan view thereof;

FIG. 7 is a perspective view of a second embodiment of a outer surface of a power supply bezel showing our new design;

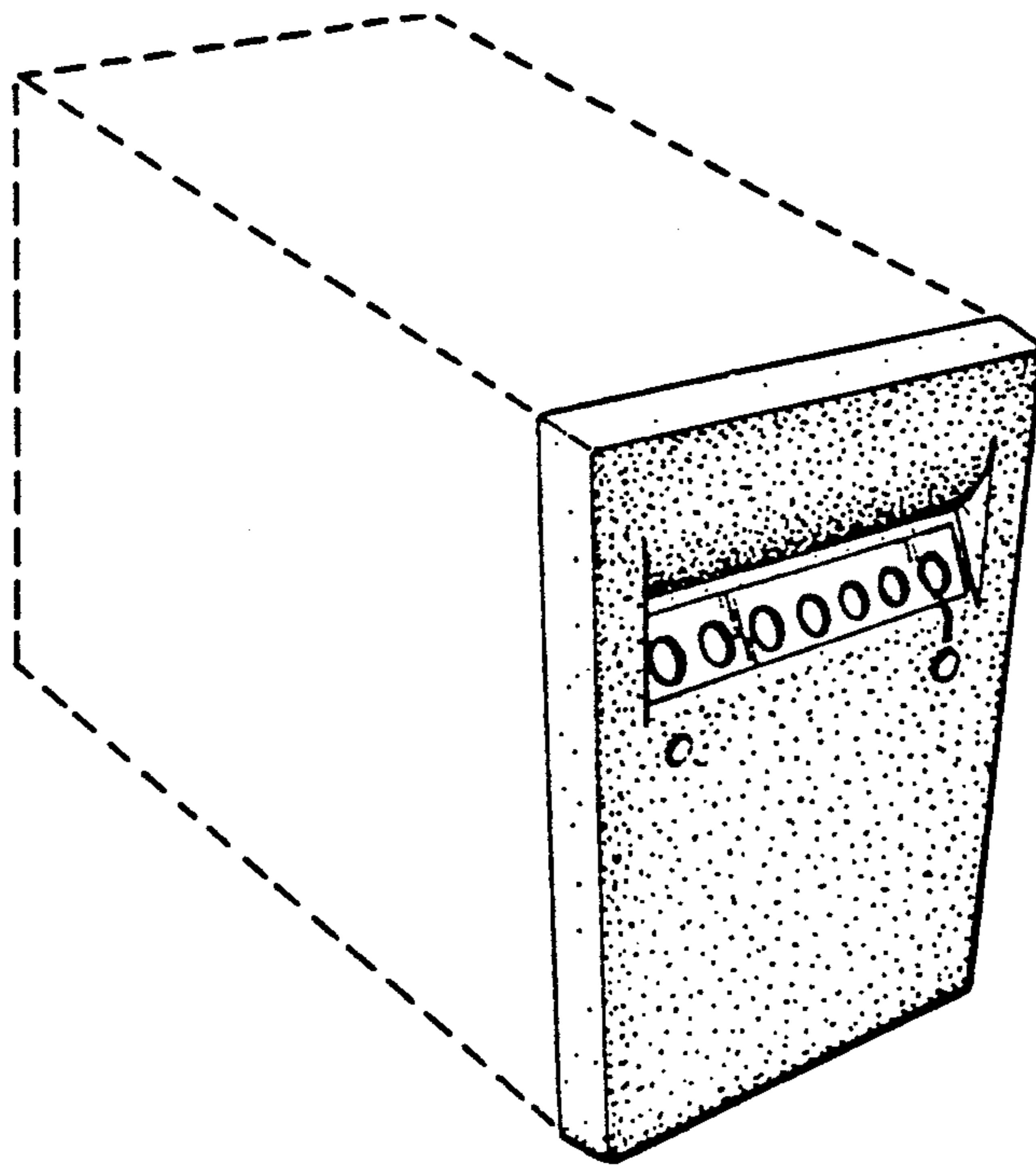
FIG. 8 is a top plan view thereof;

FIG. 9 is a front elevational view thereof;

FIG. 10 is a left side elevational view thereof;

FIG. 11 is a right side elevational view thereof; and,

FIG. 12 is a bottom plan view thereof.



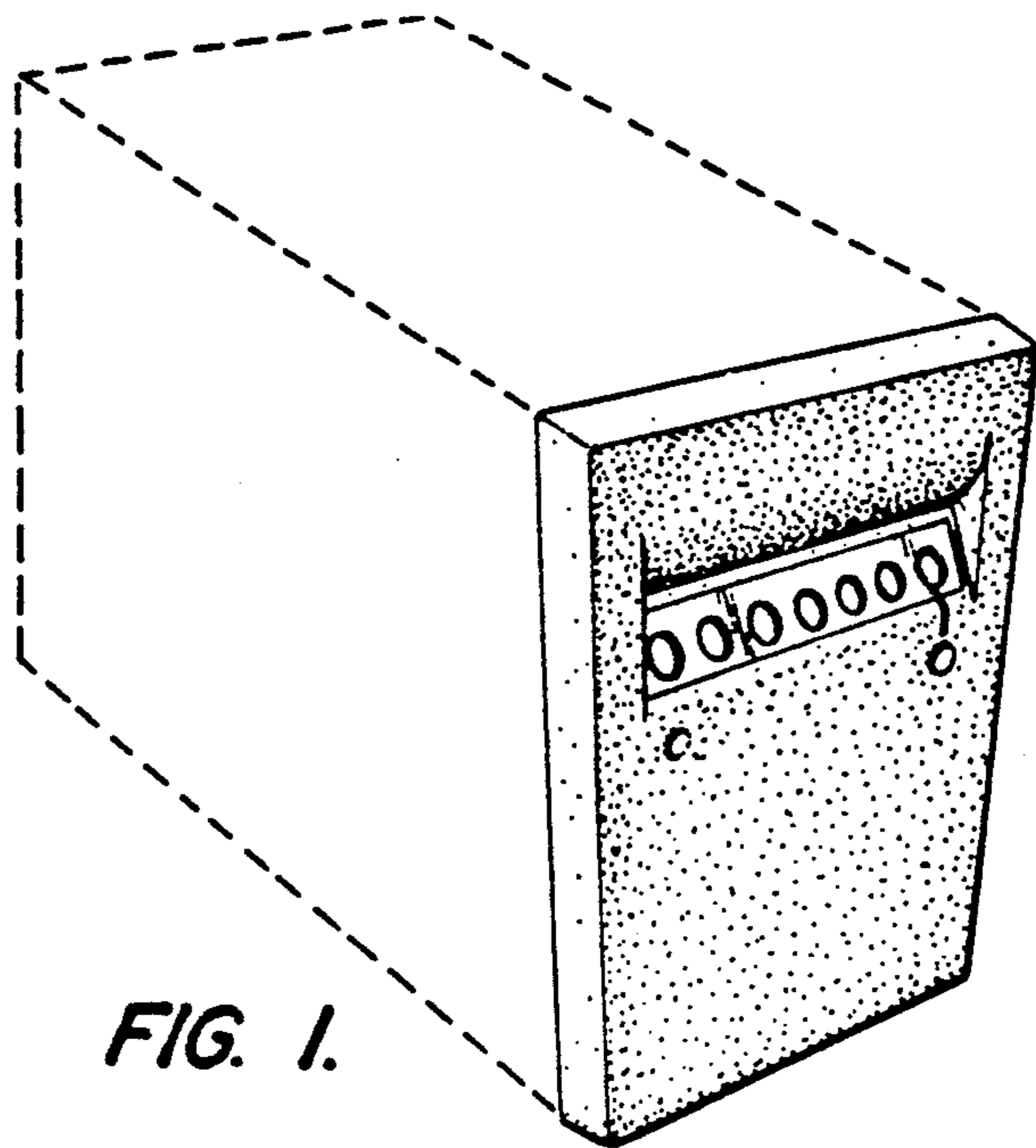


FIG. 1.

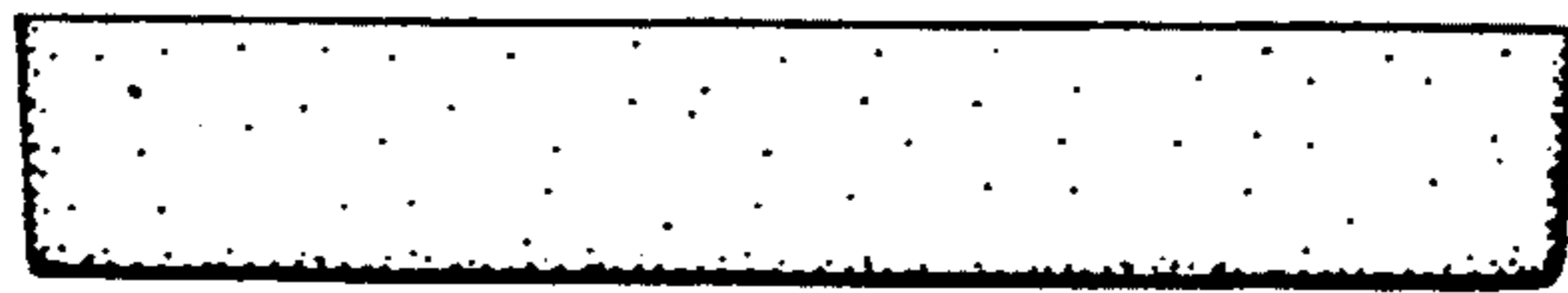


FIG. 2.

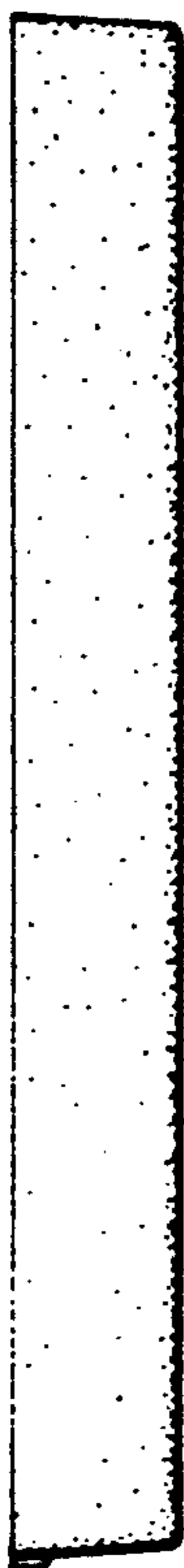


FIG. 4.

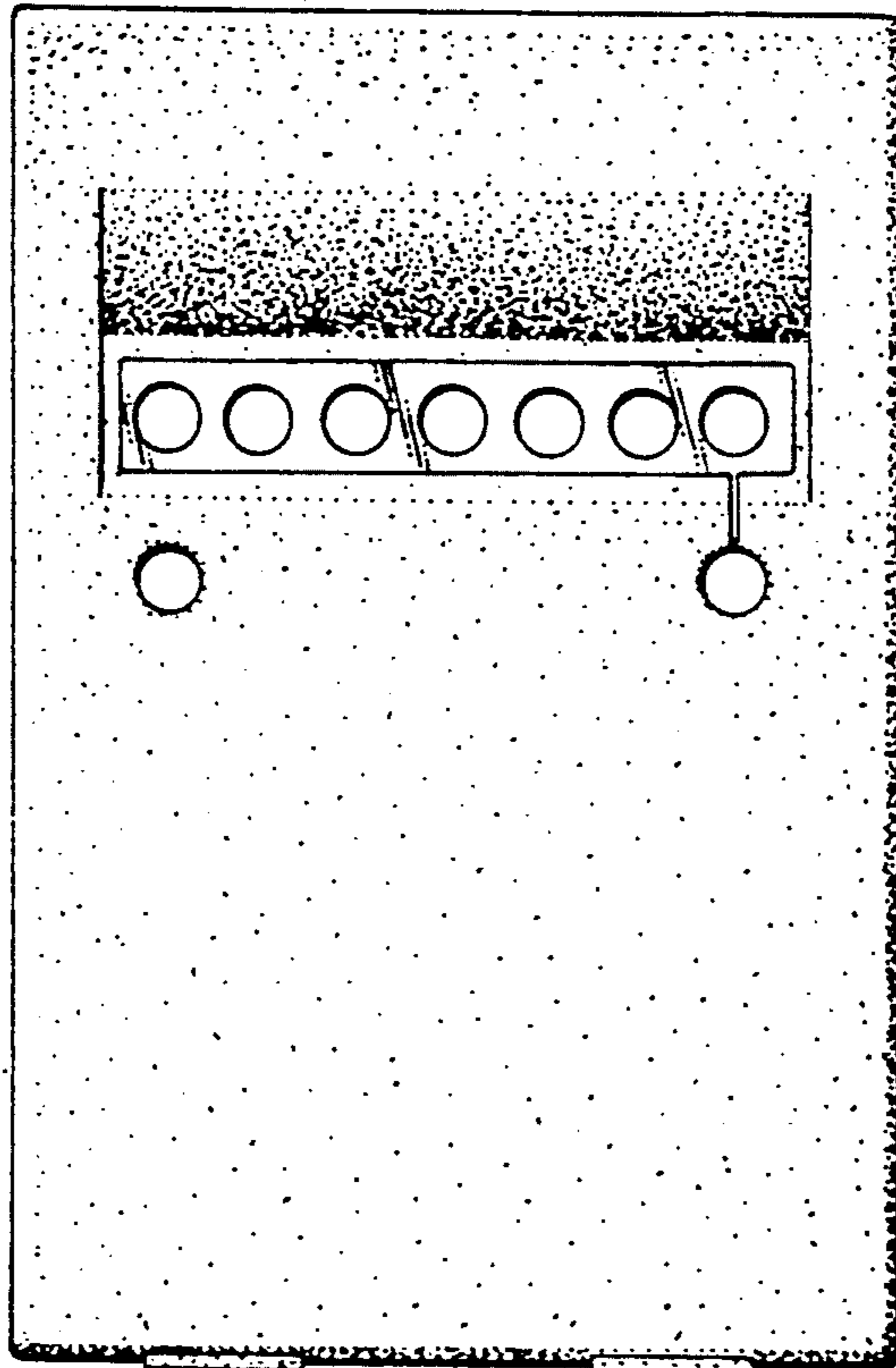


FIG. 3.

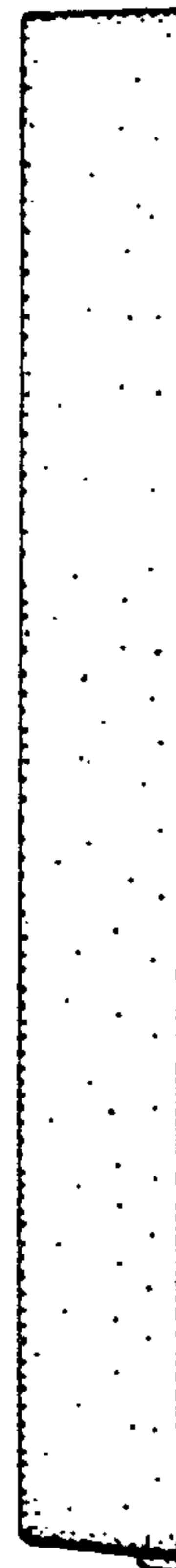


FIG. 5.

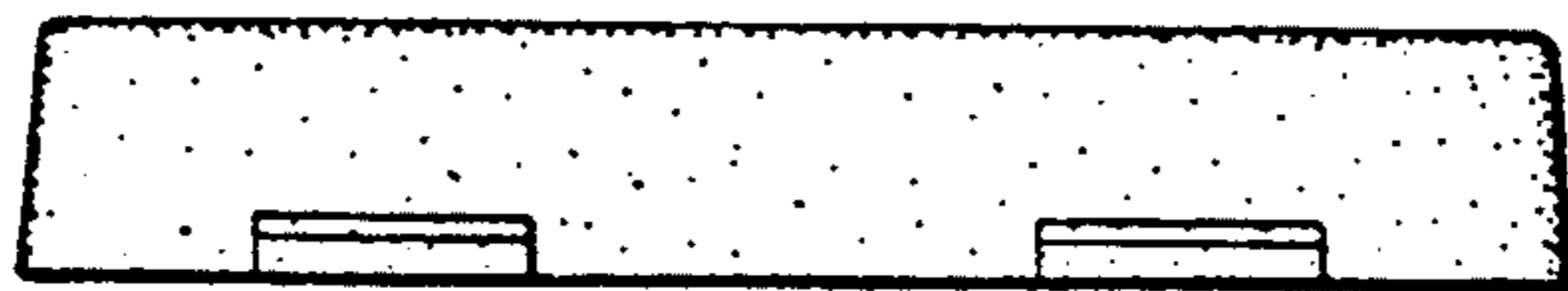


FIG. 6.

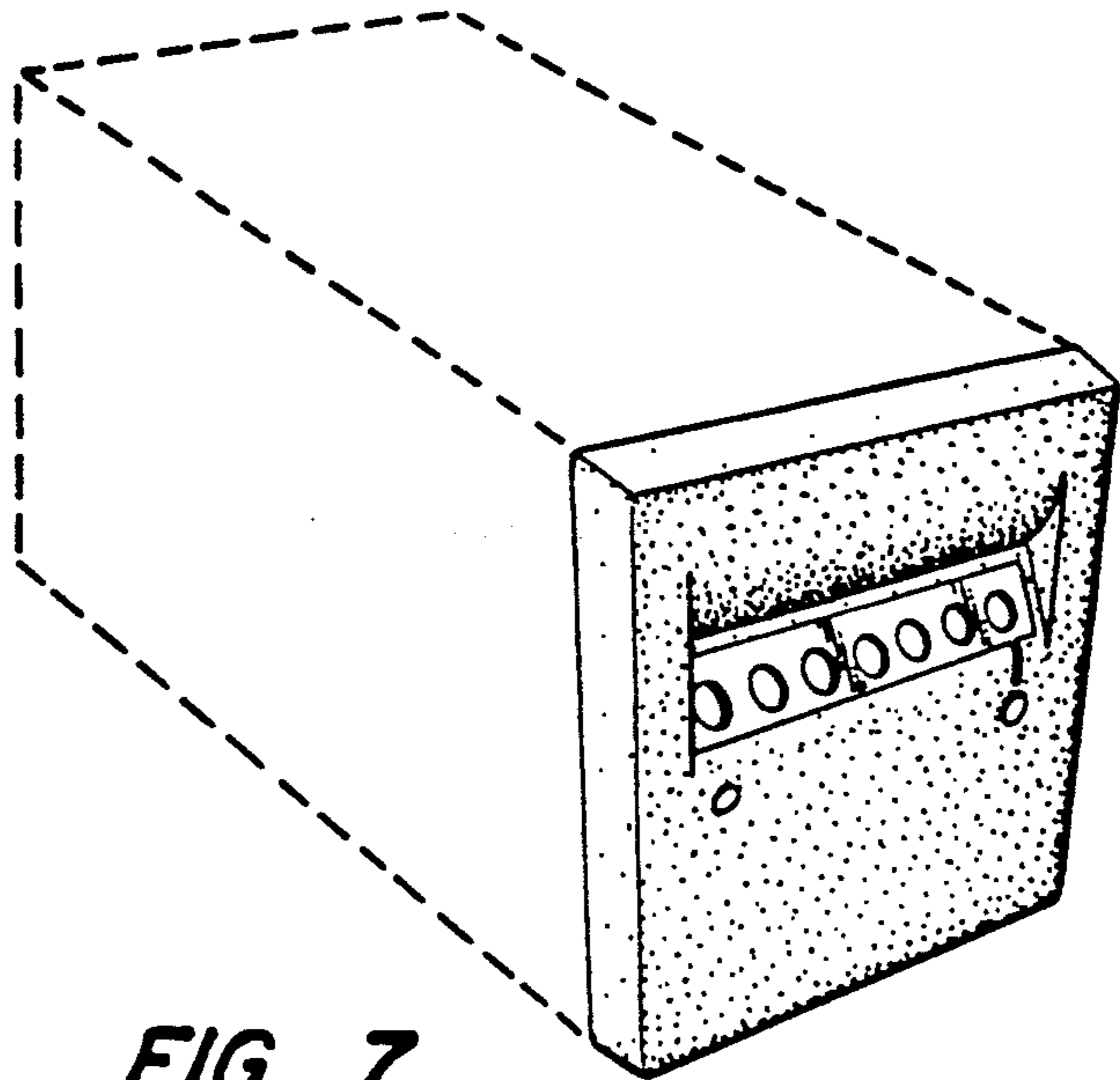


FIG. 7.



FIG. 8.



FIG. 10.

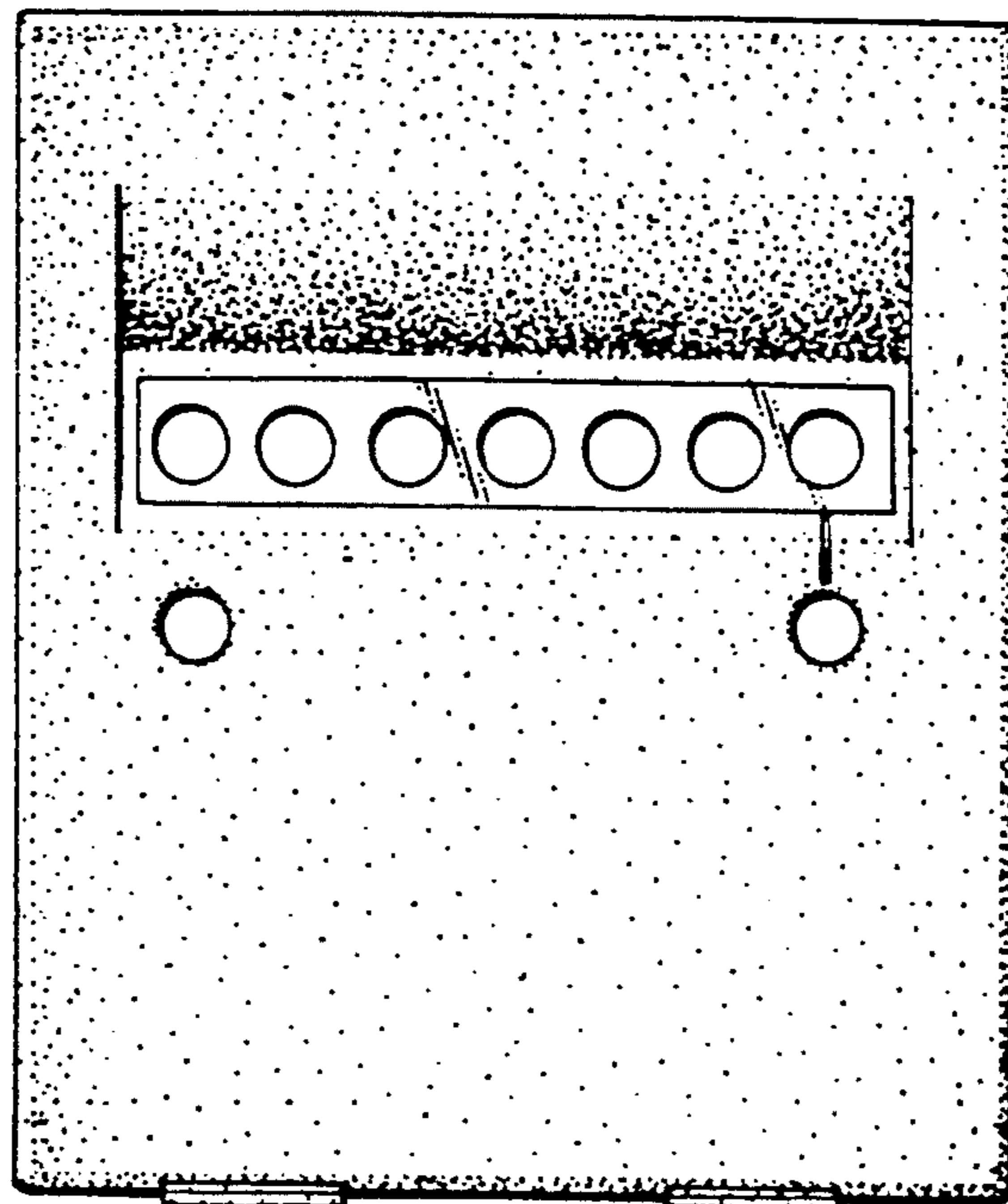


FIG. 9.

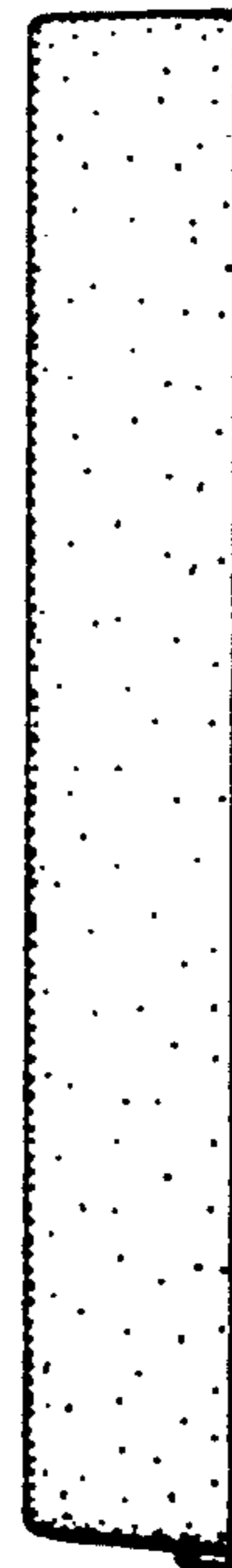


FIG. 11.

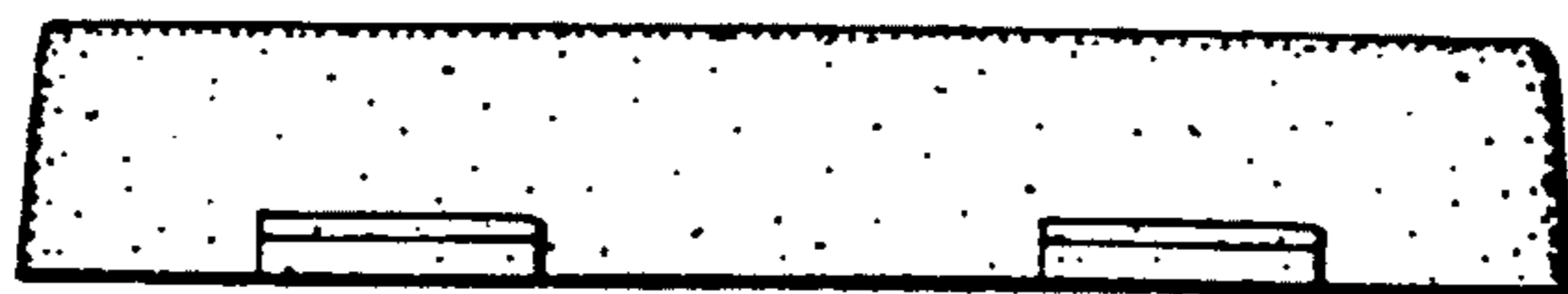


FIG. 12.