



US00D347824S

United States Patent [19]

[11] Patent Number: Des. 347,824

Wharton

[45] Date of Patent: ** Jun. 14, 1994

[54] ELECTRICAL ADAPTER PLUG

[75] Inventor: Richard F. Wharton, Glenview, Ill.

[73] Assignee: SAFCO Corporation, Chicago, Ill.

[**] Term: 14 Years

[21] Appl. No.: 903,180

[22] Filed: Jun. 25, 1992

[52] U.S. Cl. D13/144

[58] Field of Search 439/300, 638, 668, 669, 439/675; D13/144

[56] References Cited

U.S. PATENT DOCUMENTS

- D. 253,752 12/1979 Dilgard, Jr. D13/162 X
- D. 309,446 7/1990 Russell D13/162
- D. 318,648 7/1991 Collins D13/133 X
- D. 330,700 11/1992 Wharton D13/144 X

OTHER PUBLICATIONS

12-volt auxiliary power outlets on p. 103 of 1989 J. C. Whitney catalog.

Portable cassette and CD player adapter on p. 20 of J. C. Whitney catalog.

Accessory outlets for your car on p. 121 of Radio Shack catalog ©1990.

Primary Examiner—James M. Gandy

Assistant Examiner—Joel Sincavage

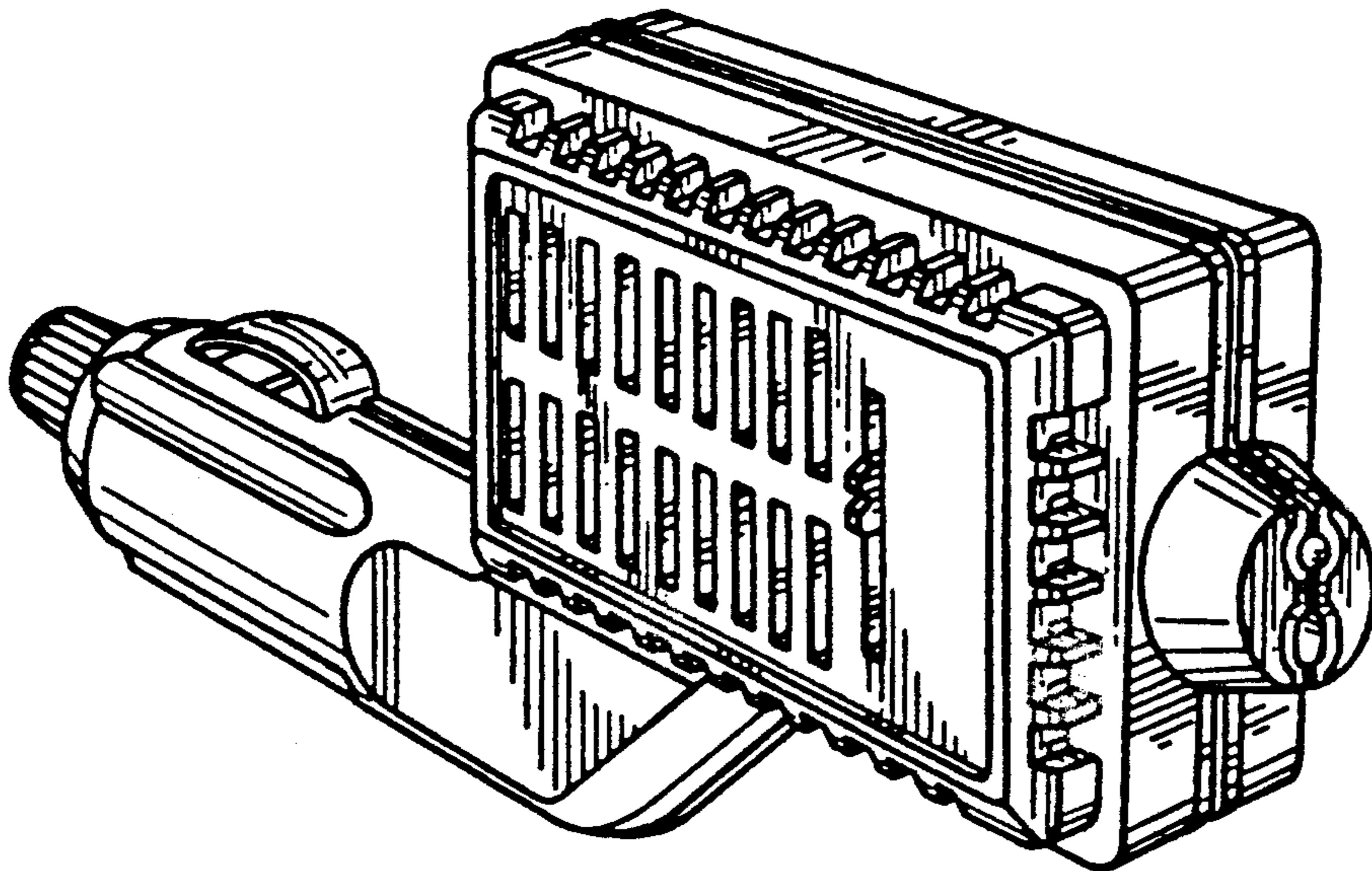
Attorney, Agent, or Firm—Augustus G. Douvas

[57] CLAIM

The ornamental design for an electrical adapter plug, as shown and described.

DESCRIPTION

FIG. 1 is a perspective view of a first embodiment of my electrical adapter plug showing my new design; FIG. 2 is a side elevation view of the electrical adapter plug; FIG. 3 is an opposite side elevation view of the electrical adapter plug; FIG. 4 is a rear elevation view of the electrical adapter plug; FIG. 5 is a front elevation view of the electrical adapter plug; FIG. 6 is a top view of the electrical adapter plug; FIG. 7 is a bottom view of the electrical adapter plug; FIG. 8 is a perspective view of a second embodiment of my electrical adapter plug showing a modification of my new design; FIG. 9 is a side elevation view of the second embodiment of the electrical adapter plug; FIG. 10 is an opposite side elevation view of the second embodiment of the electrical adapter plug; FIG. 11 is a rear elevation view of the second embodiment of the electrical adapter plug; FIG. 12 is a front elevation view of the second embodiment of the electrical adapter plug; FIG. 13 is a top view of the second embodiment of the electrical adapter plug; and, FIG. 14 is a bottom view of the second embodiment of the electrical adapter plug.



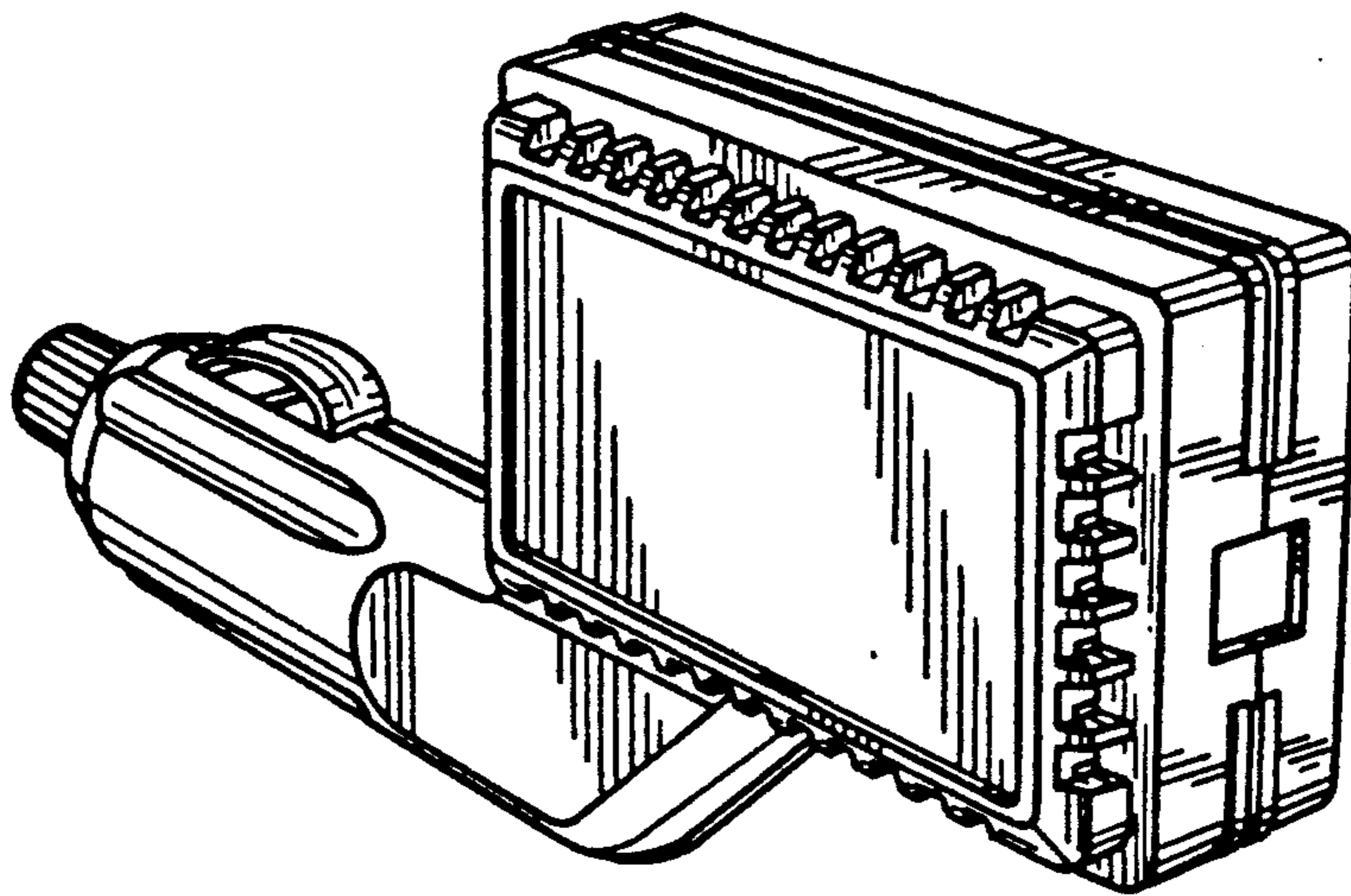


FIG. 1

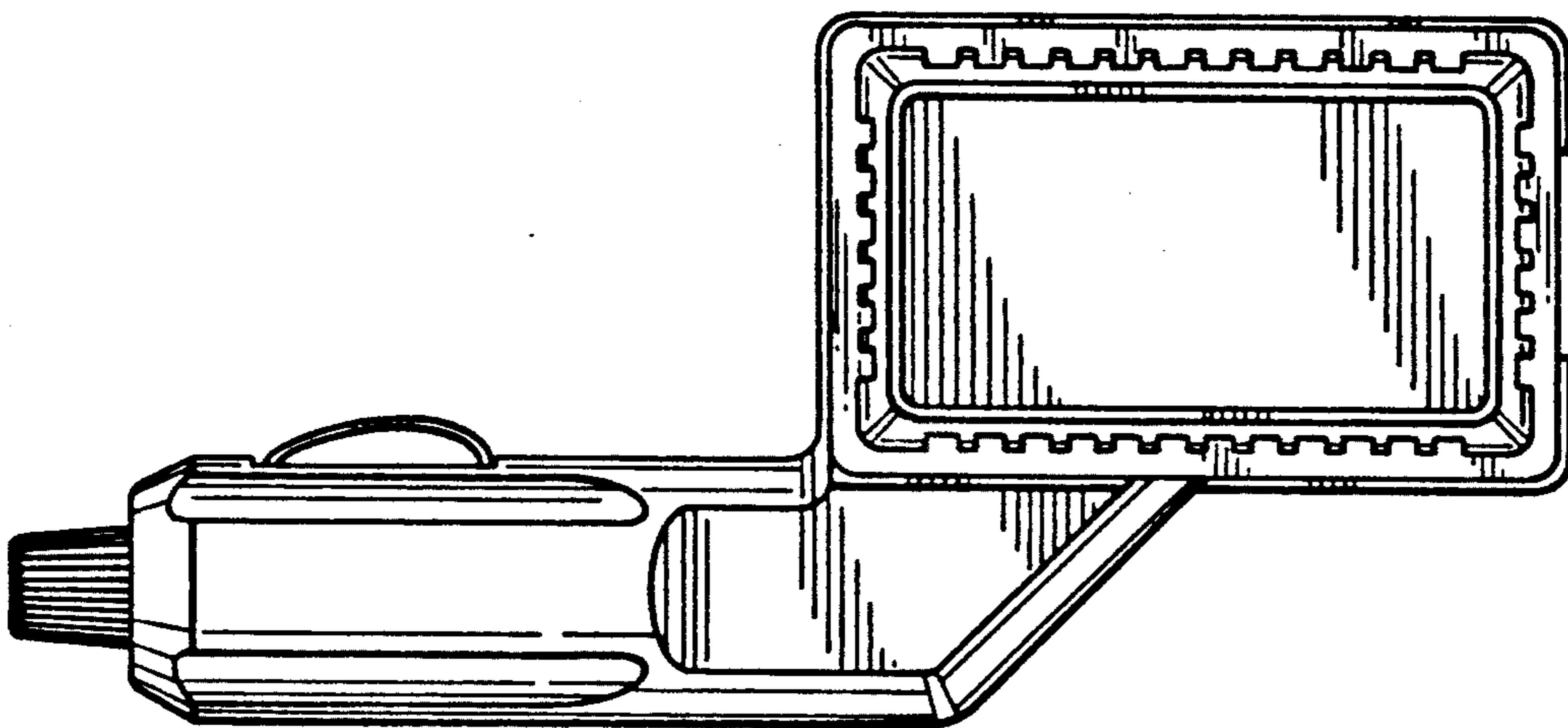


FIG. 2

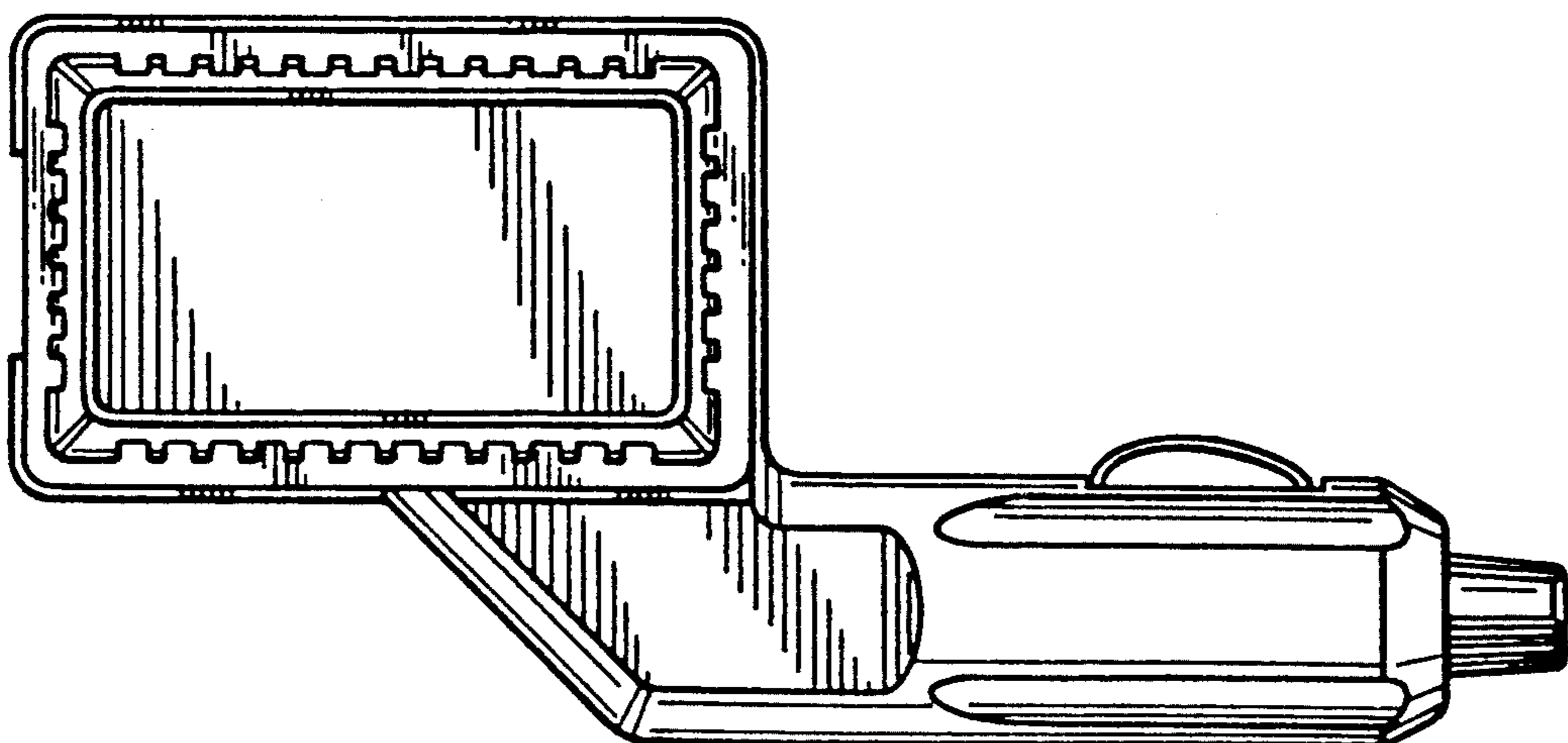


FIG. 3

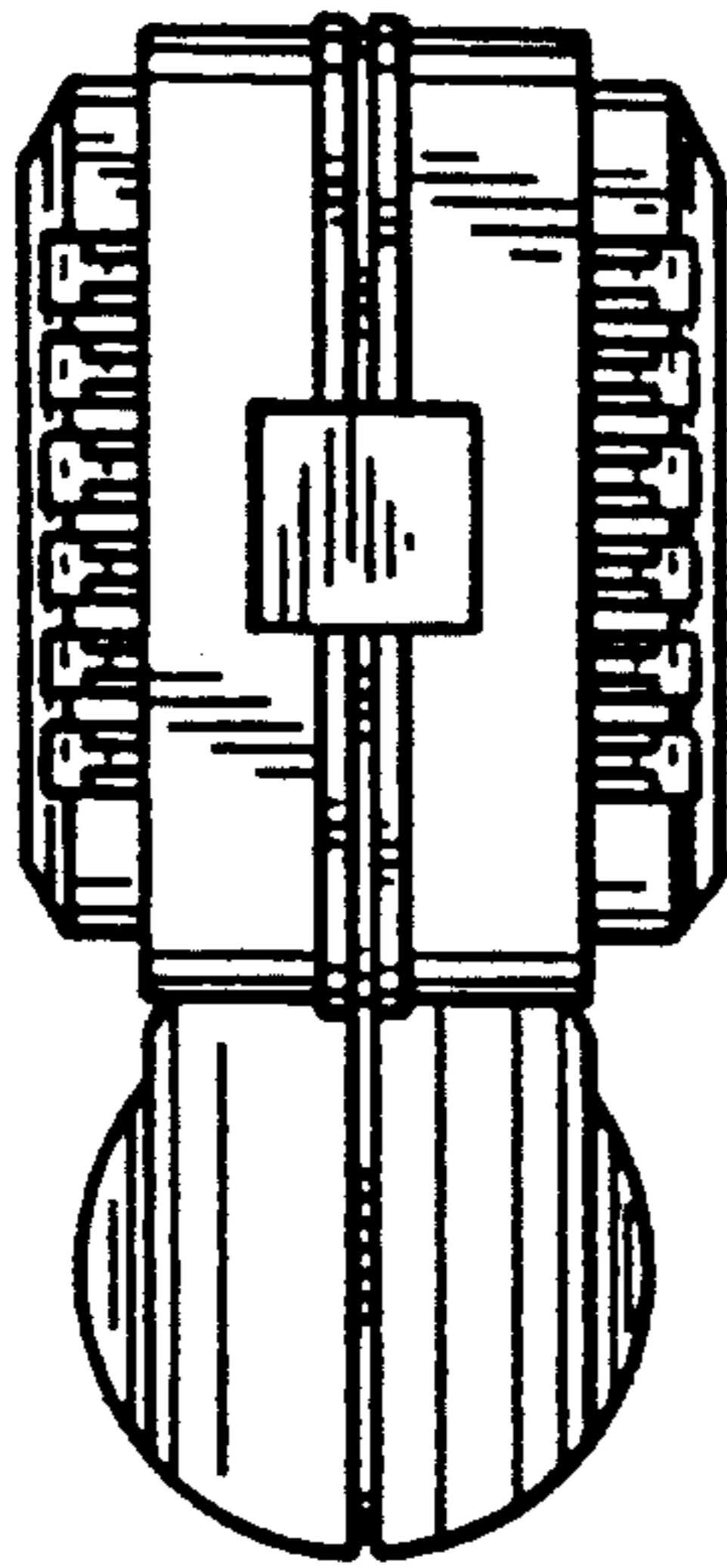


FIG. 4

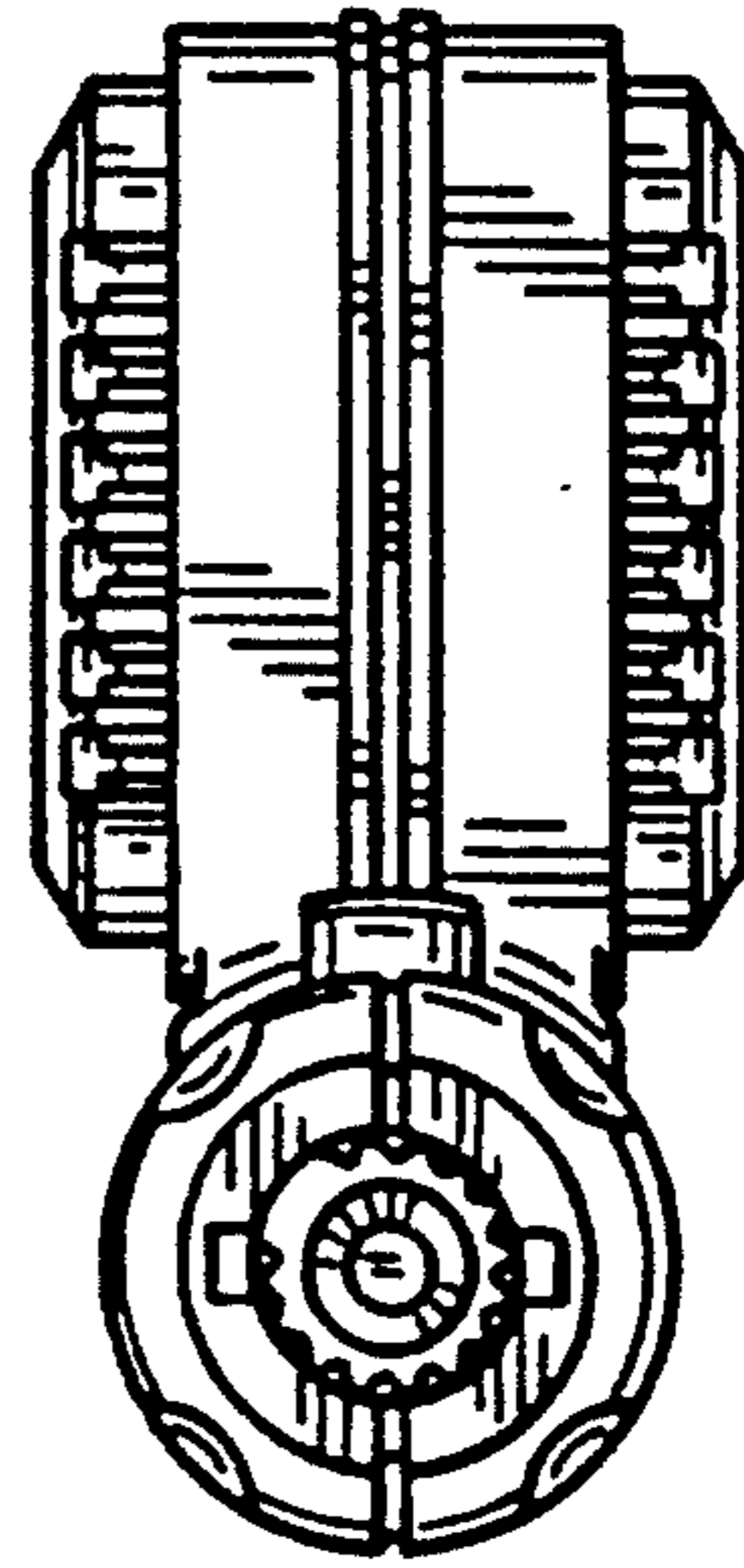


FIG. 5

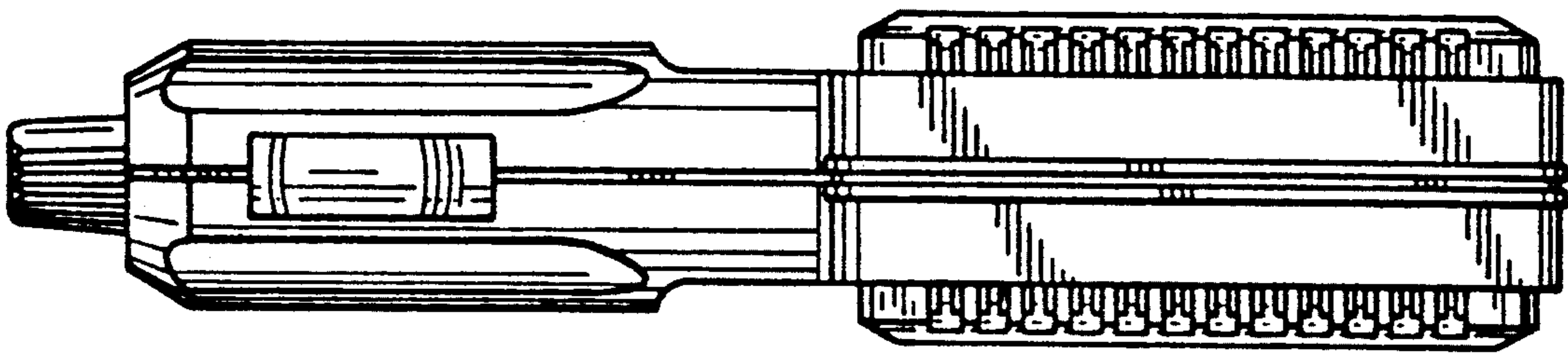


FIG. 6

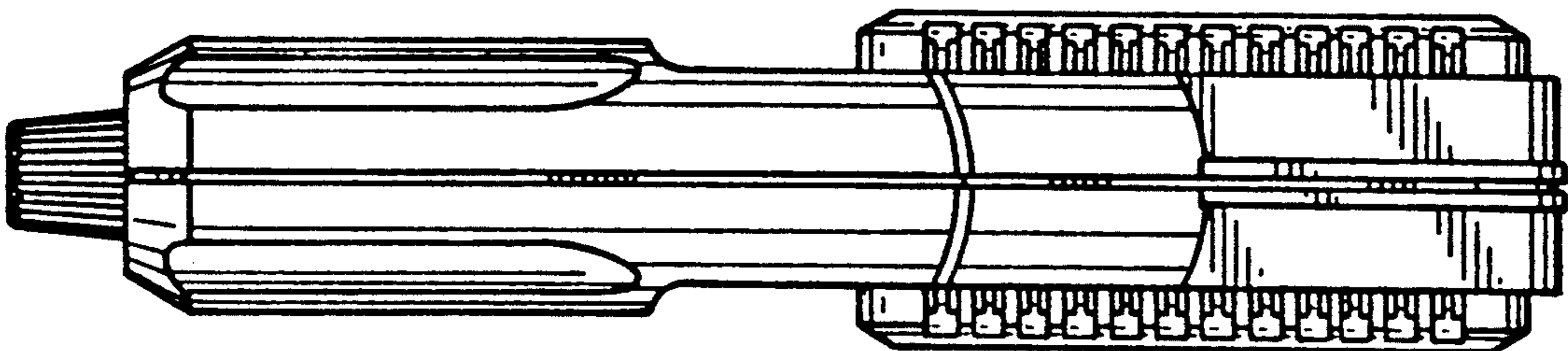


FIG. 7

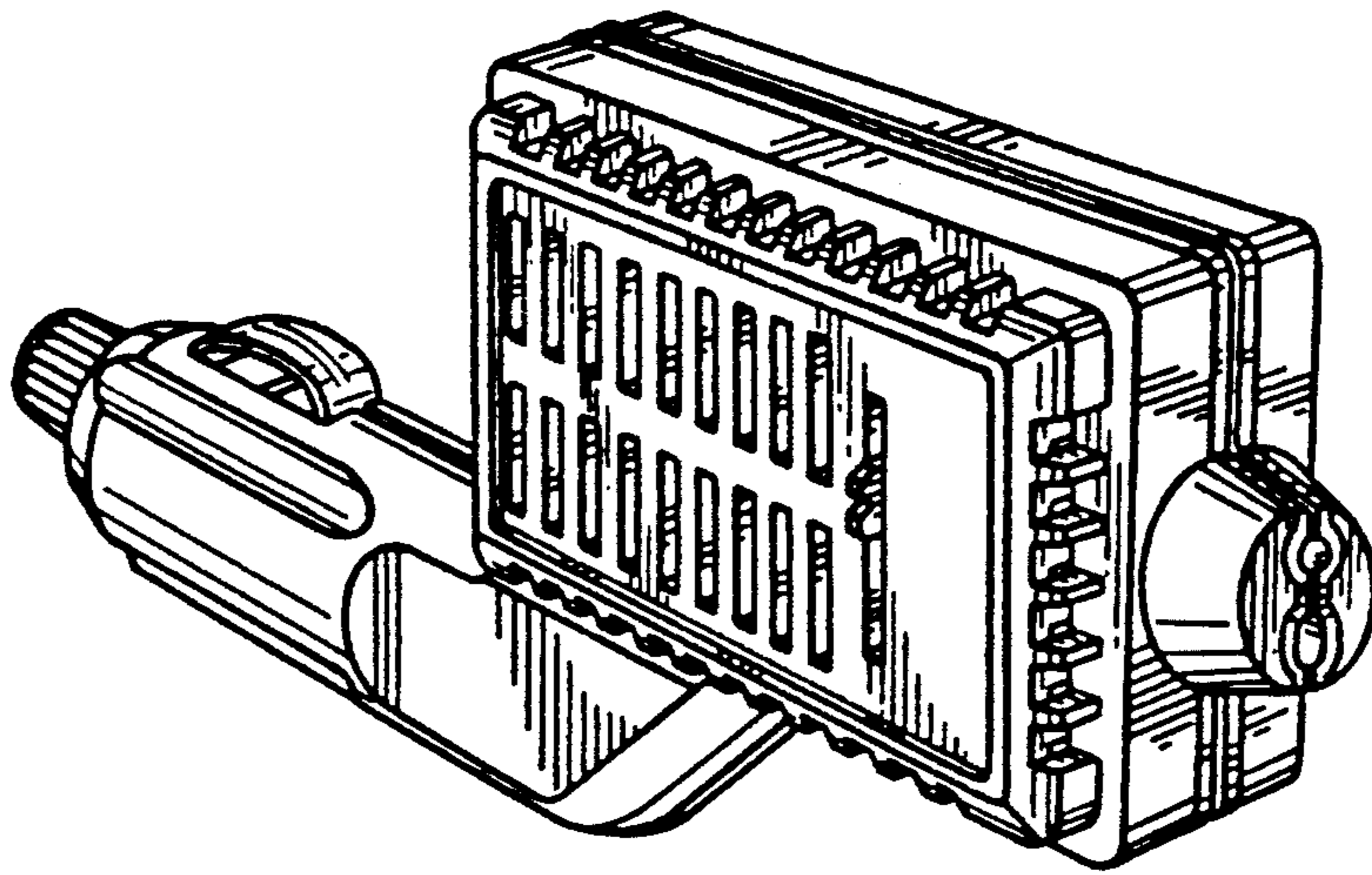


FIG. 8

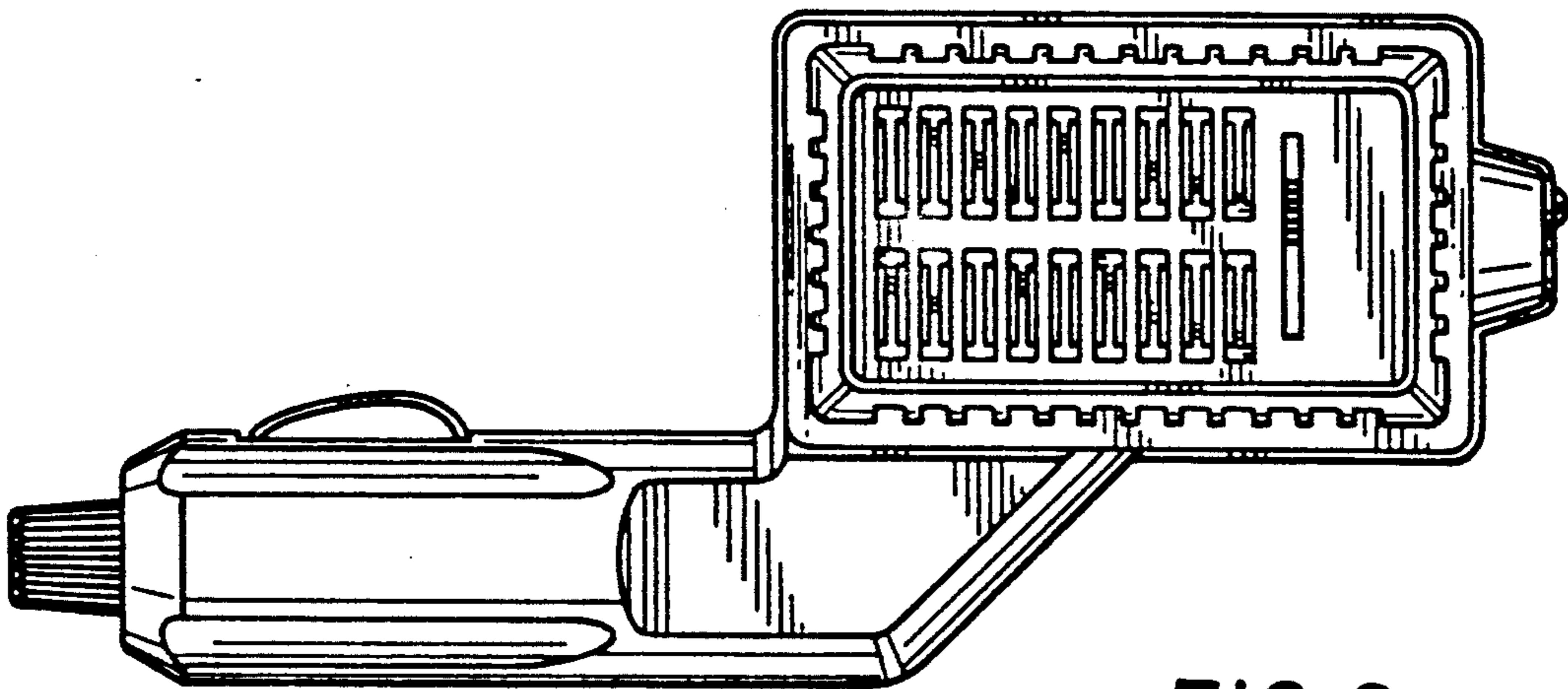


FIG. 9

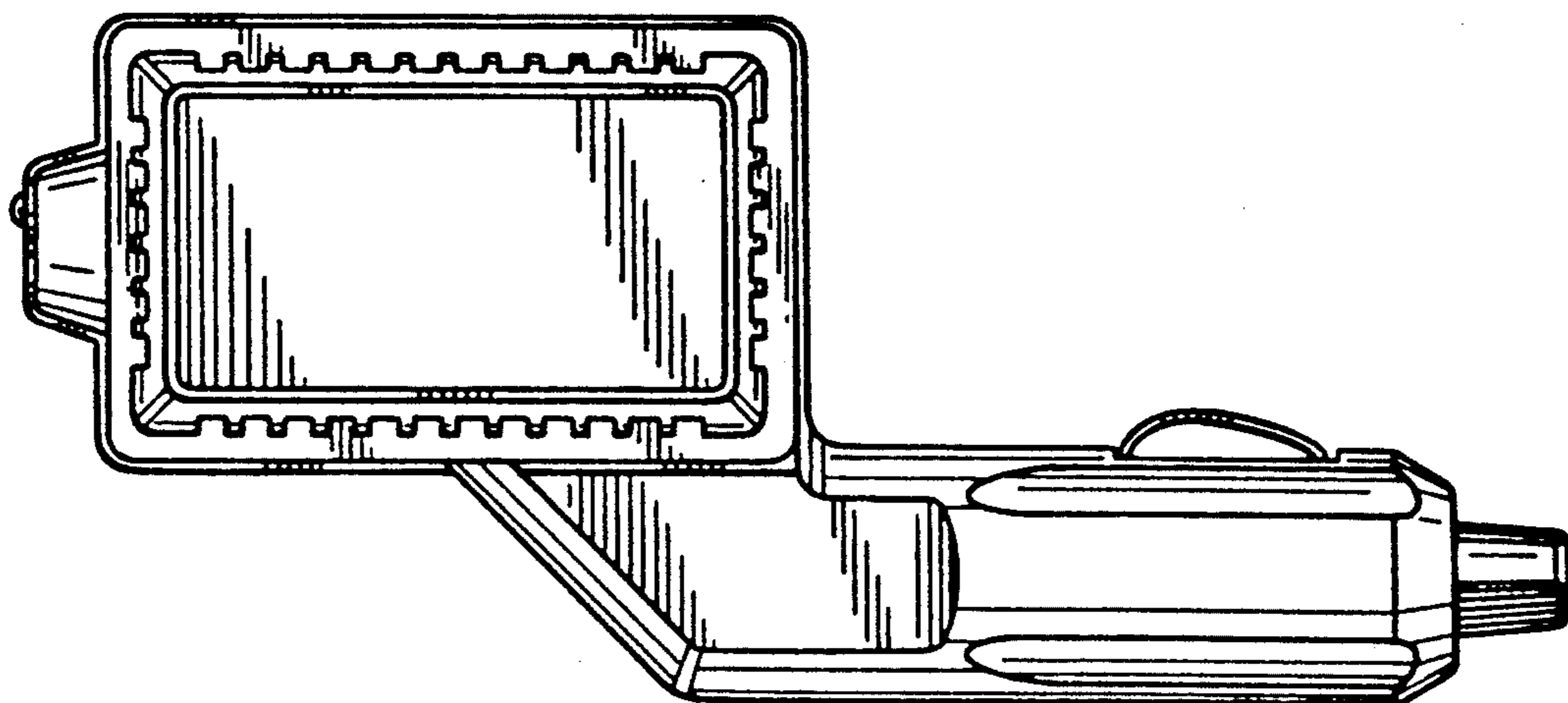


FIG. 10

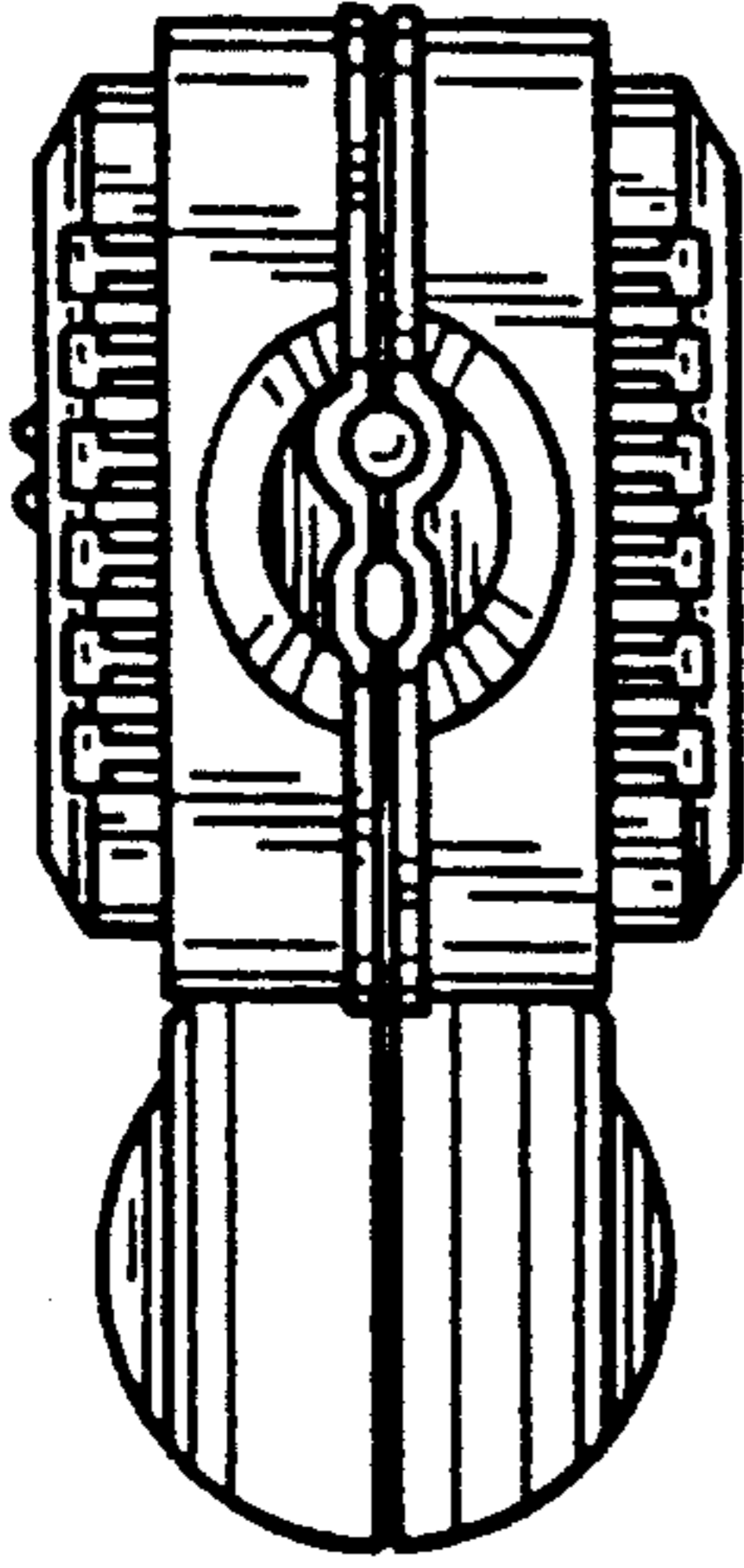


FIG. 11

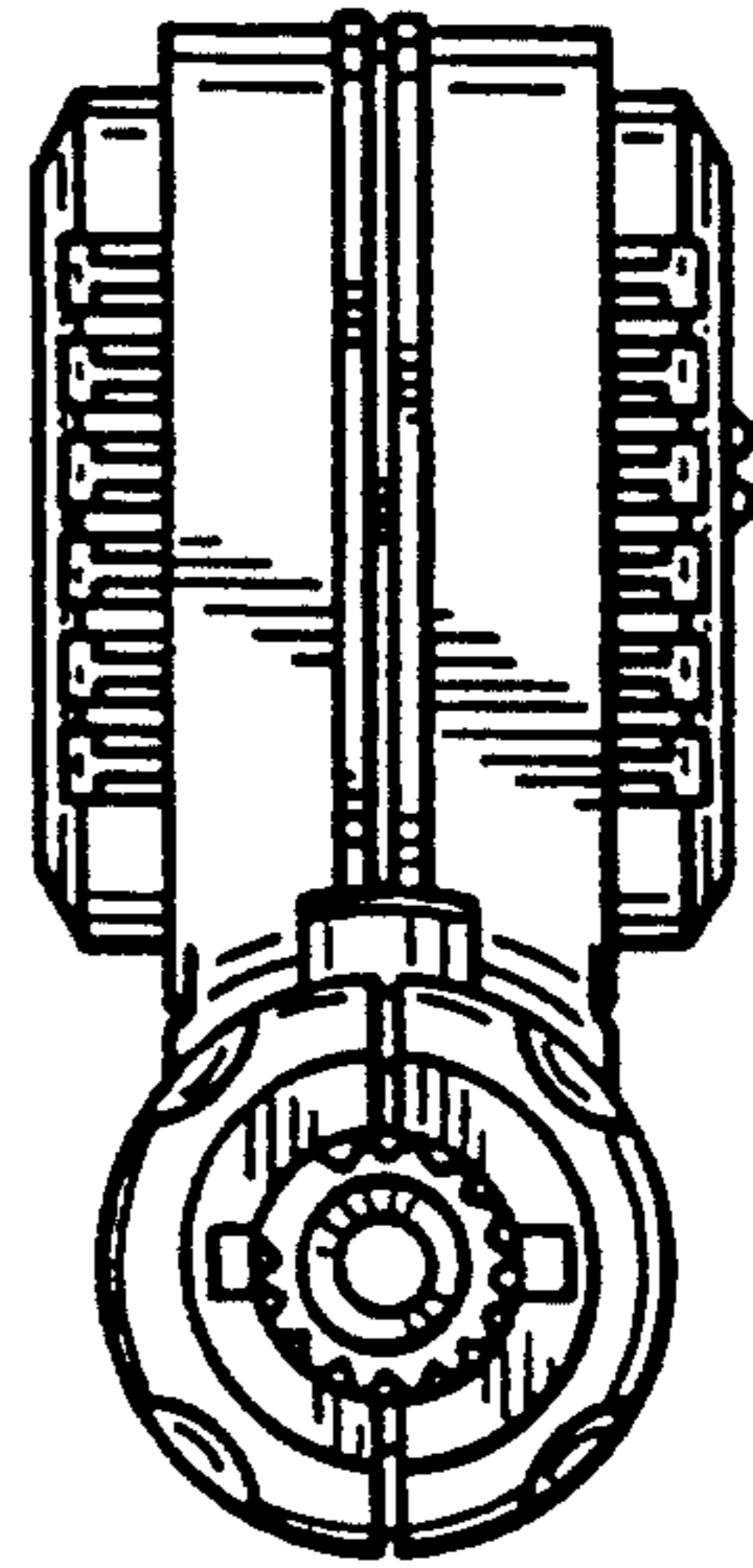


FIG. 12

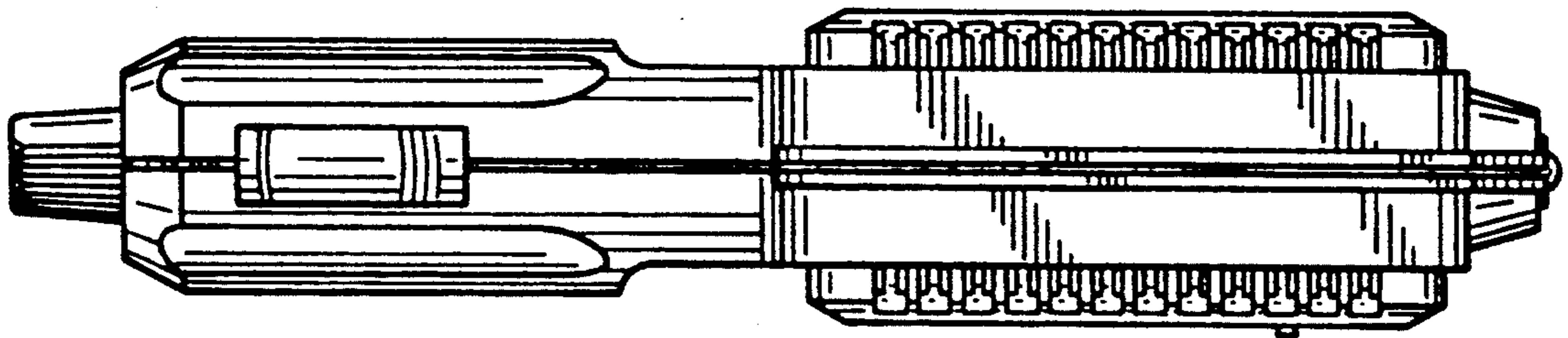


FIG. 13

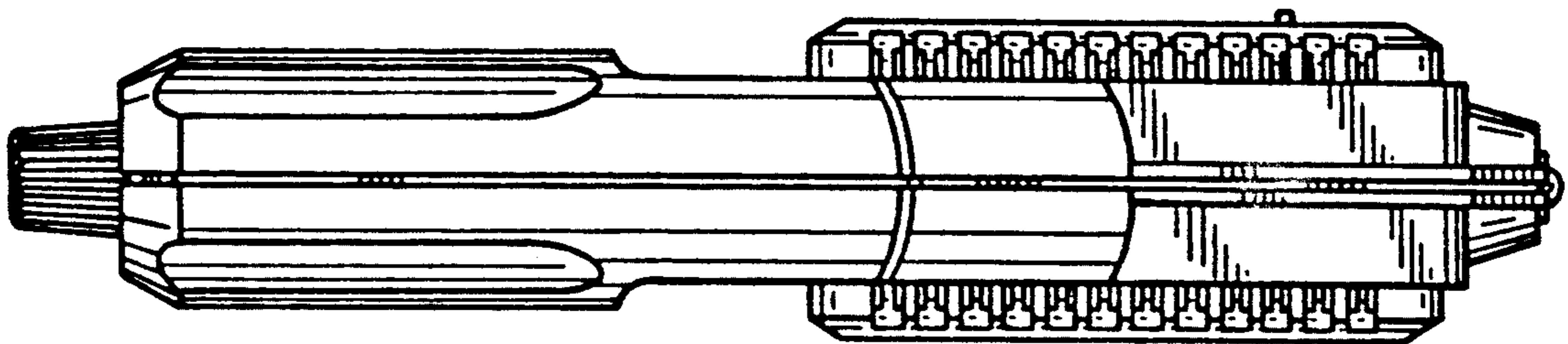


FIG. 14