



US00D347823S

# United States Patent [19]

Berg et al.

[11] Patent Number: **Des. 347,823**

[45] Date of Patent: **\*\* Jun. 14, 1994**

- [54] **COMBINED FRONT PANEL AND MOUNT FOR AN ELECTRIC FENCE INSULATOR**
- [75] Inventors: **Jon A. Berg; Ronald H. Langlie**, both of Ellendale, Minn.
- [73] Assignee: **North Central Plastics, Incorporated**, Ellendale, Minn.
- [\*\*] Term: **14 Years**
- [21] Appl. No.: **953,314**
- [22] Filed: **Sep. 29, 1992**

3,752,902	8/1973	Wilson .....	174/175 X
3,820,758	6/1974	Berg, Jr. et al. ....	256/10
4,028,489	6/1977	Berg, Jr. et al. ....	174/158 F X
4,771,137	9/1988	Thompson .....	174/175 X
4,866,218	9/1989	Wilson, Jr. ....	256/10 X
4,905,968	3/1990	Eby et al. ....	256/10

*Primary Examiner*—Wallace R. Burke  
*Assistant Examiner*—M. H. Tung  
*Attorney, Agent, or Firm*—Peterson, Wicks, Nemer & Kamrath

### [57] CLAIM

The ornamental design for a combined front panel and mount for an electric fence insulator, as shown and described.

### DESCRIPTION

FIG. 1 is a perspective view of a combined front panel and mount for an electric fence insulator; FIG. 2 is a front elevational view thereof; FIG. 3 is a top plan view thereof; FIG. 4 is a bottom plan view thereof; and, FIG. 5 is a right side elevational view thereof, the left side being a mirror image. The undisclosed rear view is unornamented.

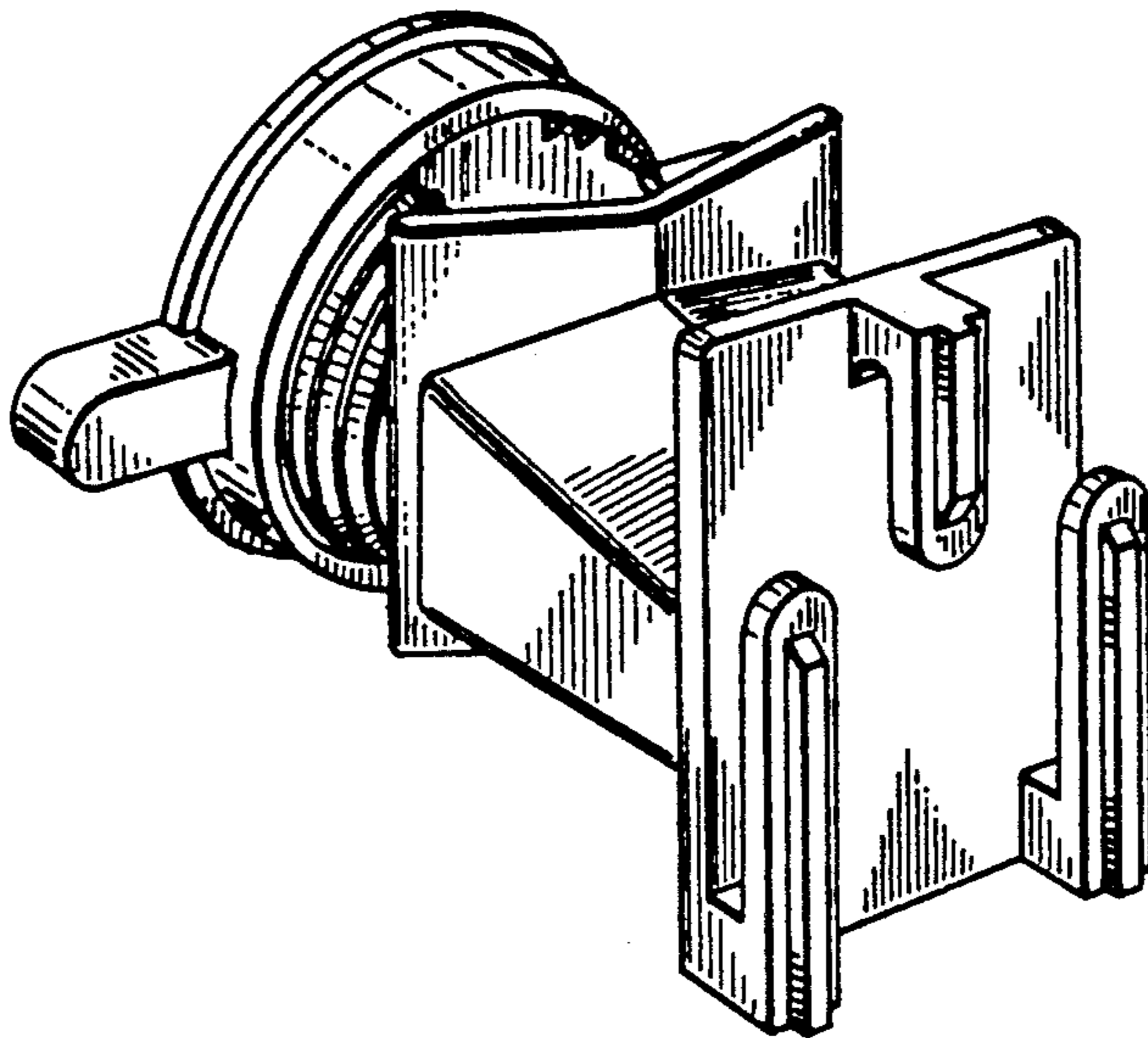
### Related U.S. Application Data

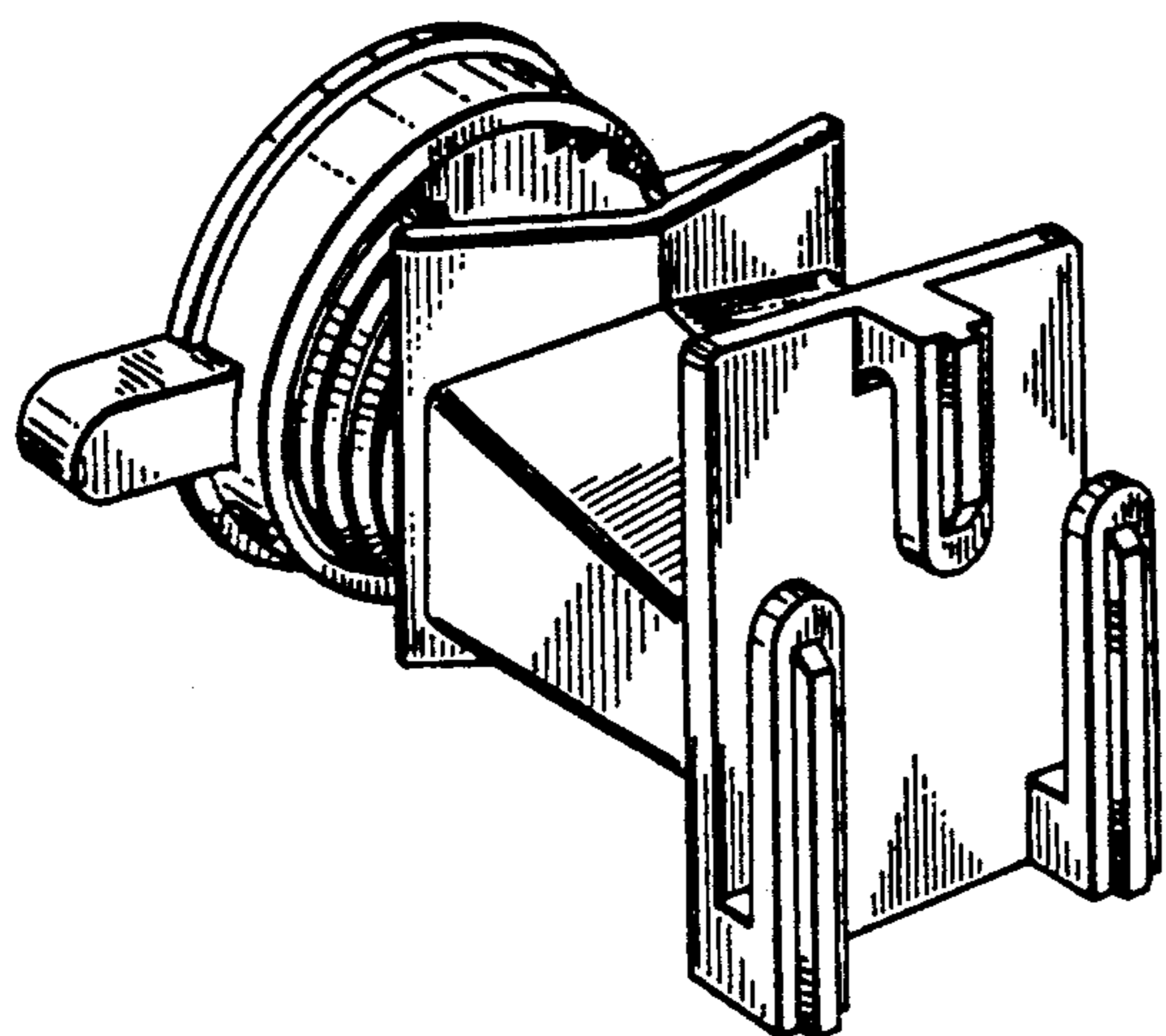
- [62] Division of Ser. No. 342,439, Apr. 21, 1989, Pat. No. Des. 330,008.
- [52] U.S. Cl. .... **D13/132**
- [58] Field of Search ..... 174/158 F, 161 F, 163 F, 174/171, 175; 256/10, 47; D13/129, 131-132

### References Cited

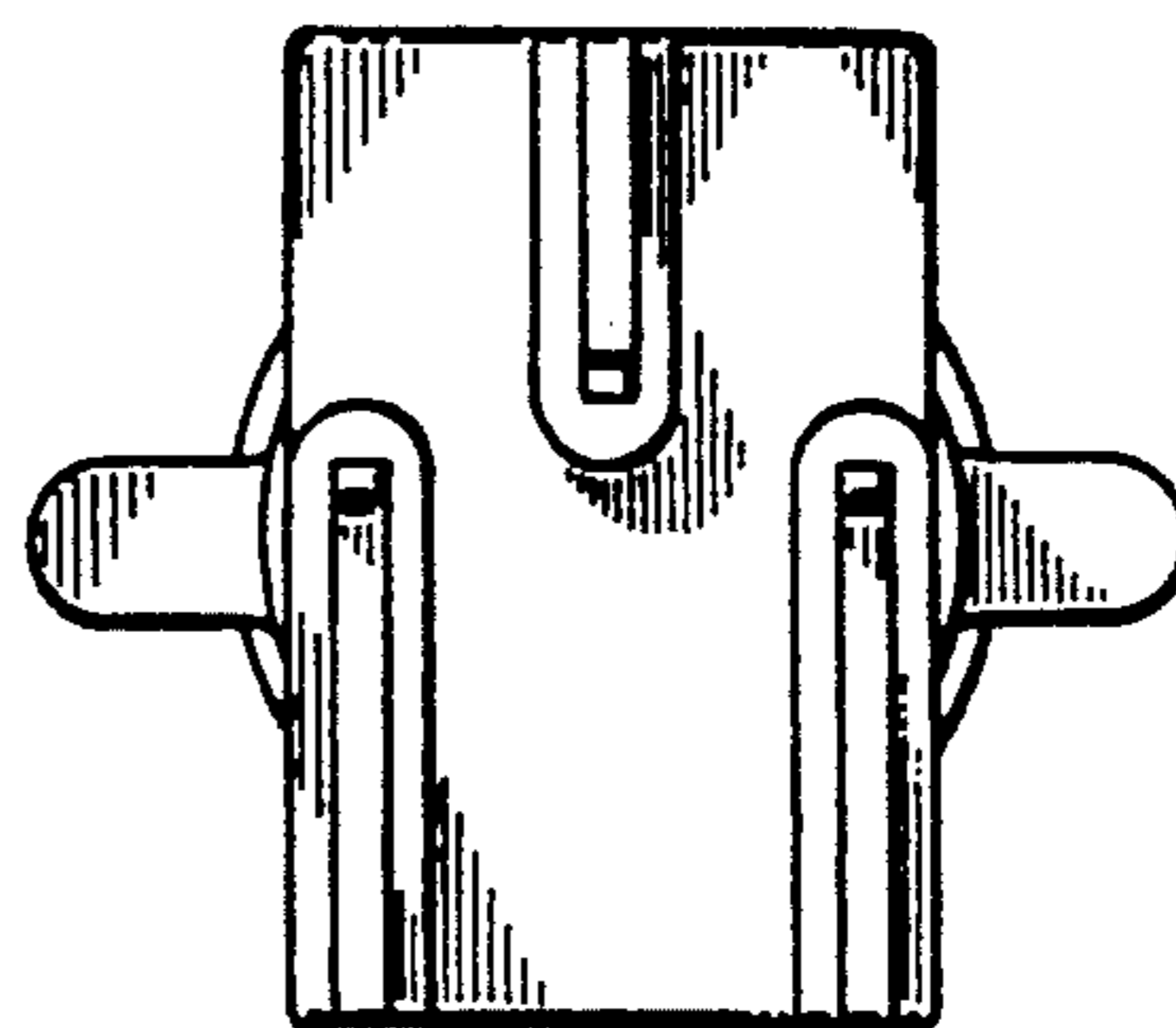
#### U.S. PATENT DOCUMENTS

- D. 300,423 3/1989 Reeves ..... D13/129
- 3,733,429 5/1973 Berg, Jr. et al. .... 174/175 X

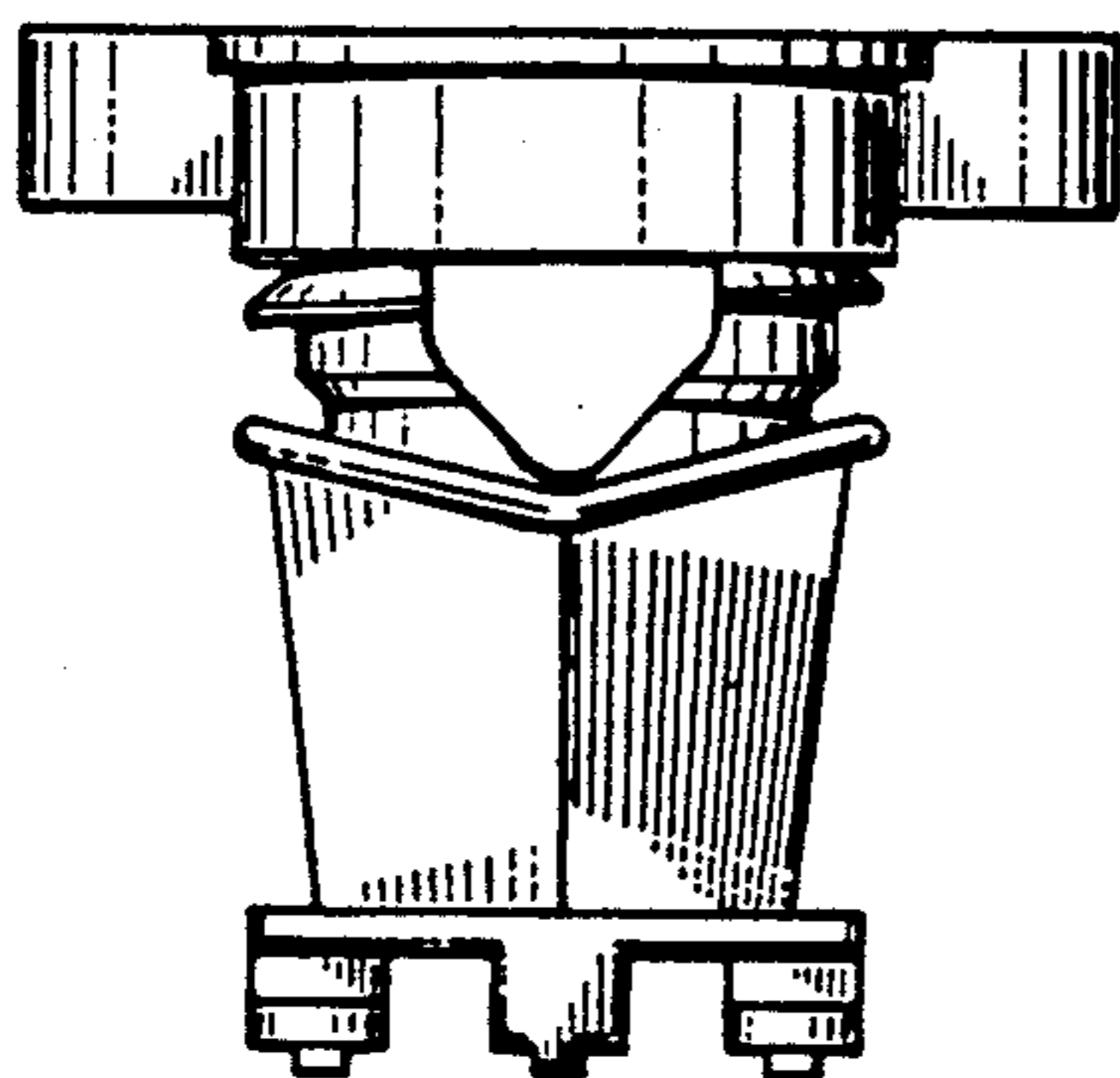




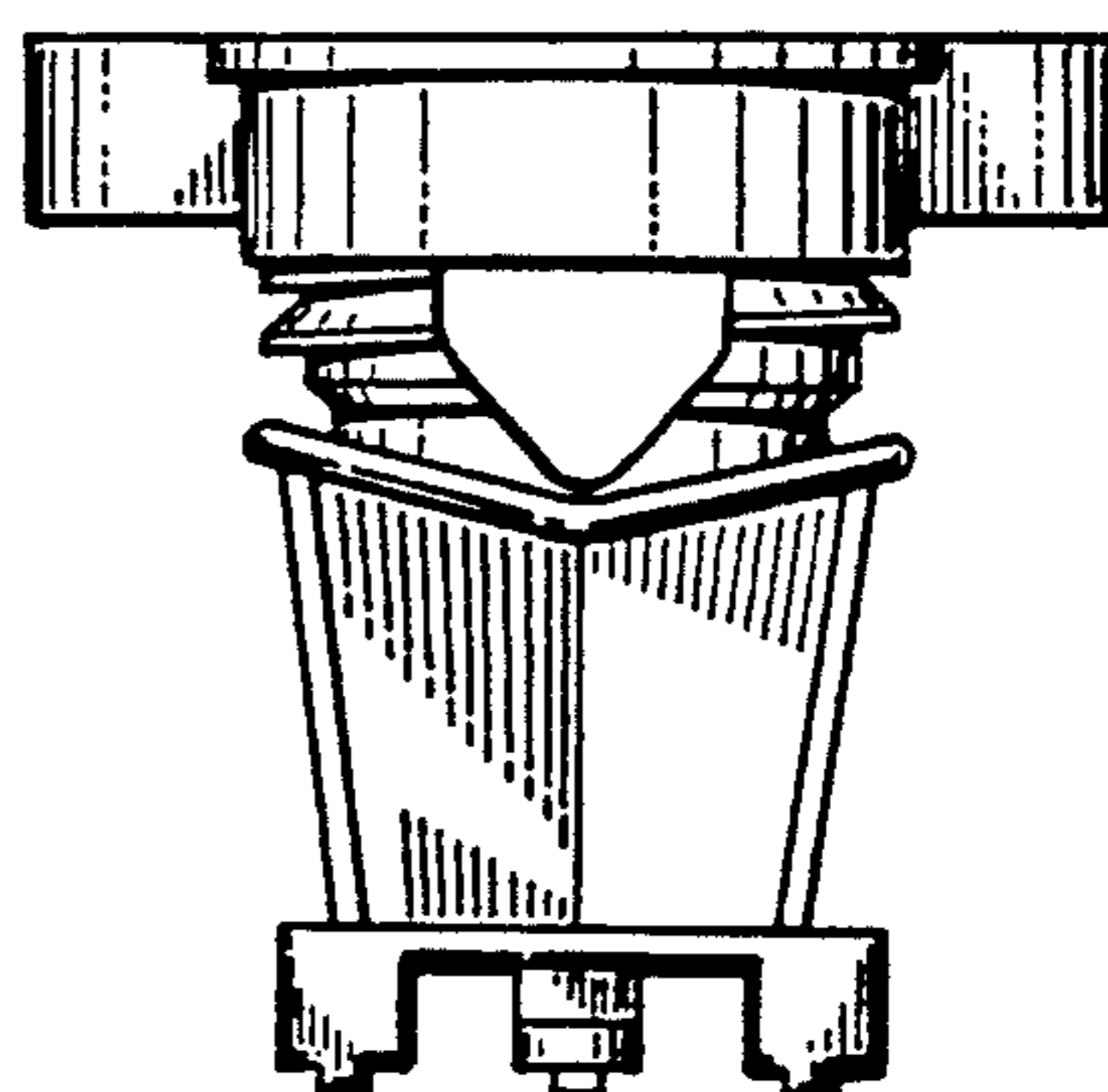
*Fig 1*



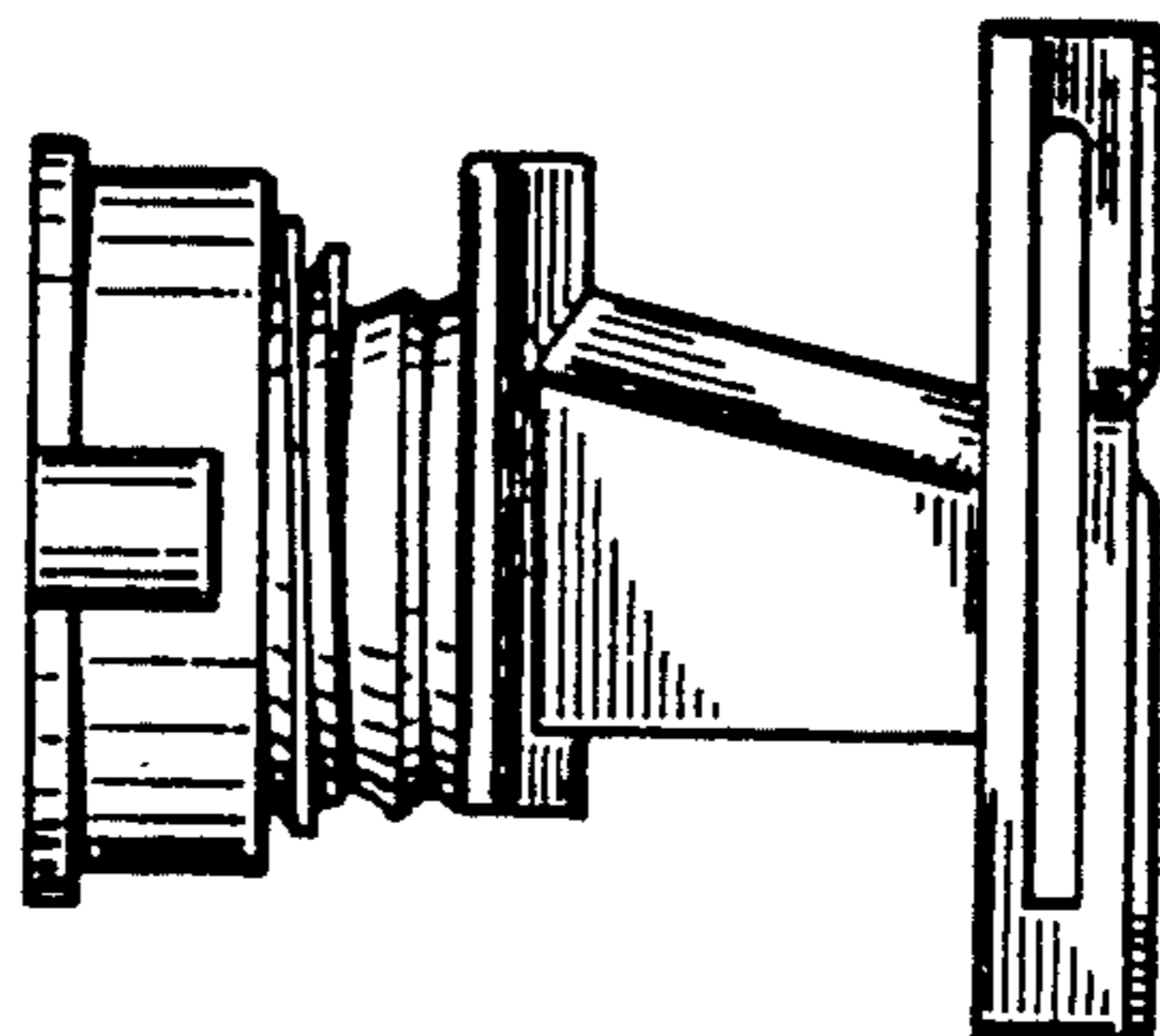
*Fig 2*



*Fig 3*



*Fig 4*



*Fig 5*