



US00D347820S

# United States Patent [19]

[11] Patent Number: **Des. 347,820**

**Plymale**

[45] Date of Patent: **\*\* Jun. 14, 1994**

[54] **VEHICLE STEERING WHEEL WITH AIR BAG**

5,022,676	6/1991	Rogerson .....	280/743
5,024,464	6/1991	Kawaguchi et al. ....	280/731
5,188,000	2/1993	Kaga .....	280/731

[76] Inventor: **Mike Plymale, 972 Orchard Hill Rd., Gallipolis, Ohio 45631**

### FOREIGN PATENT DOCUMENTS

[\*\*] Term: **14 Years**

0000567	1/1991	Japan .....	280/731
0176251	7/1991	Japan .....	280/731

[21] Appl. No.: **881,557**

*Primary Examiner*—Wallace R. Burke  
*Assistant Examiner*—Melody Brown  
*Attorney, Agent, or Firm*—Terry M. Gernstein

[22] Filed: **May 14, 1992**

[52] U.S. Cl. .... **D12/176**

[58] Field of Search ..... **74/552; 280/728, 731, 280/743; D12/176**

### [57] CLAIM

The ornamental design for a vehicle steering wheel with air bag, as shown and described.

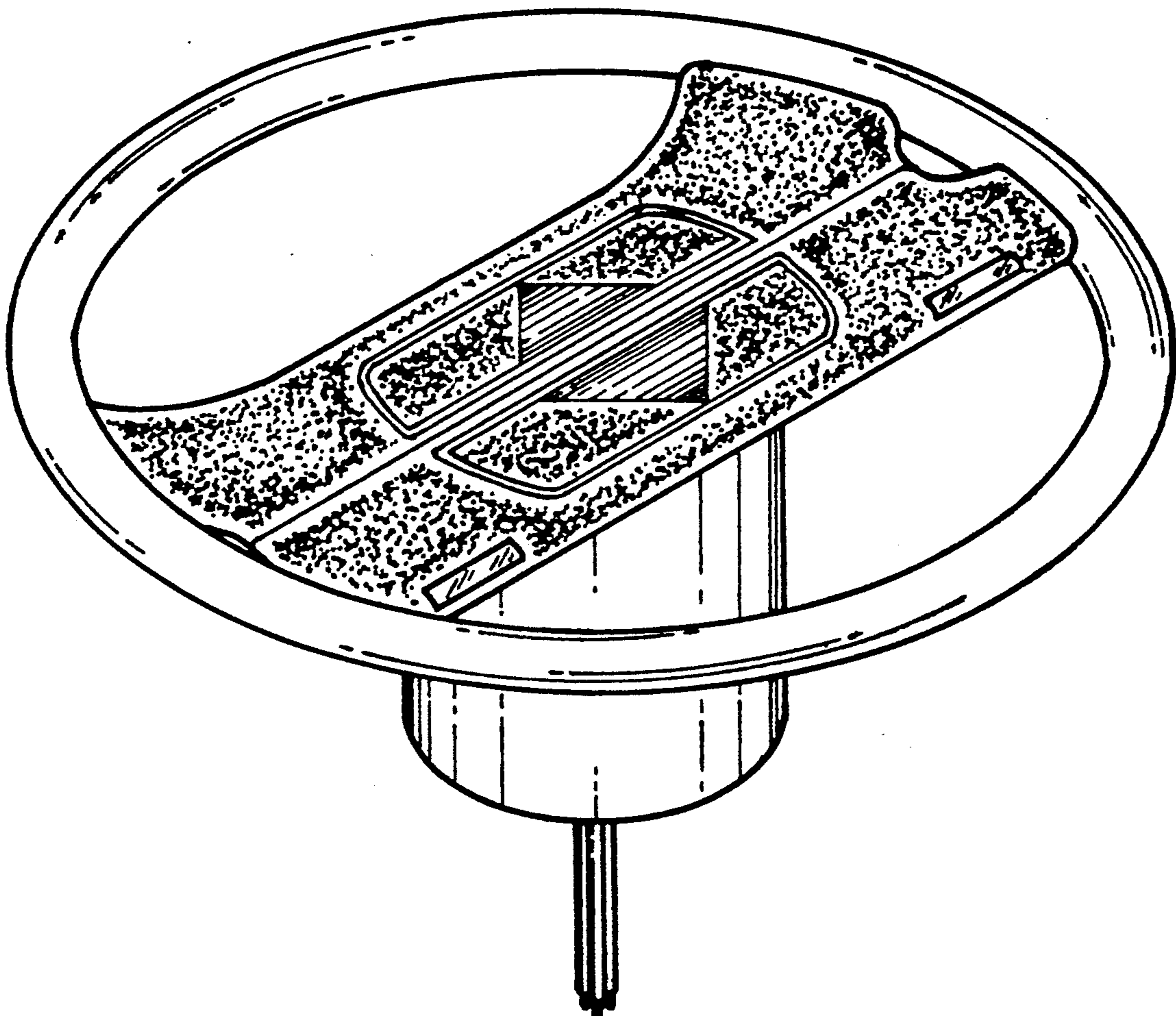
### [56] References Cited

#### U.S. PATENT DOCUMENTS

D. 311,369	10/1990	Whitley, II .....	D12/176
4,834,420	5/1989	Sankrithi .....	280/728
4,881,389	11/1989	Alfon et al. ....	74/552
4,884,823	12/1989	Honda .....	74/552
4,921,735	5/1990	Bloch .....	405/32.9
5,018,762	5/1991	Suzuki et al. ....	280/731

### DESCRIPTION

FIG. 1 is a top perspective view of a vehicle steering wheel with air bag showing my new design;  
FIG. 2 is a side elevational view thereof, all other sides being images of that shown;  
FIG. 3 is a top plan view thereof; and,  
FIG. 4 is a bottom view thereof.



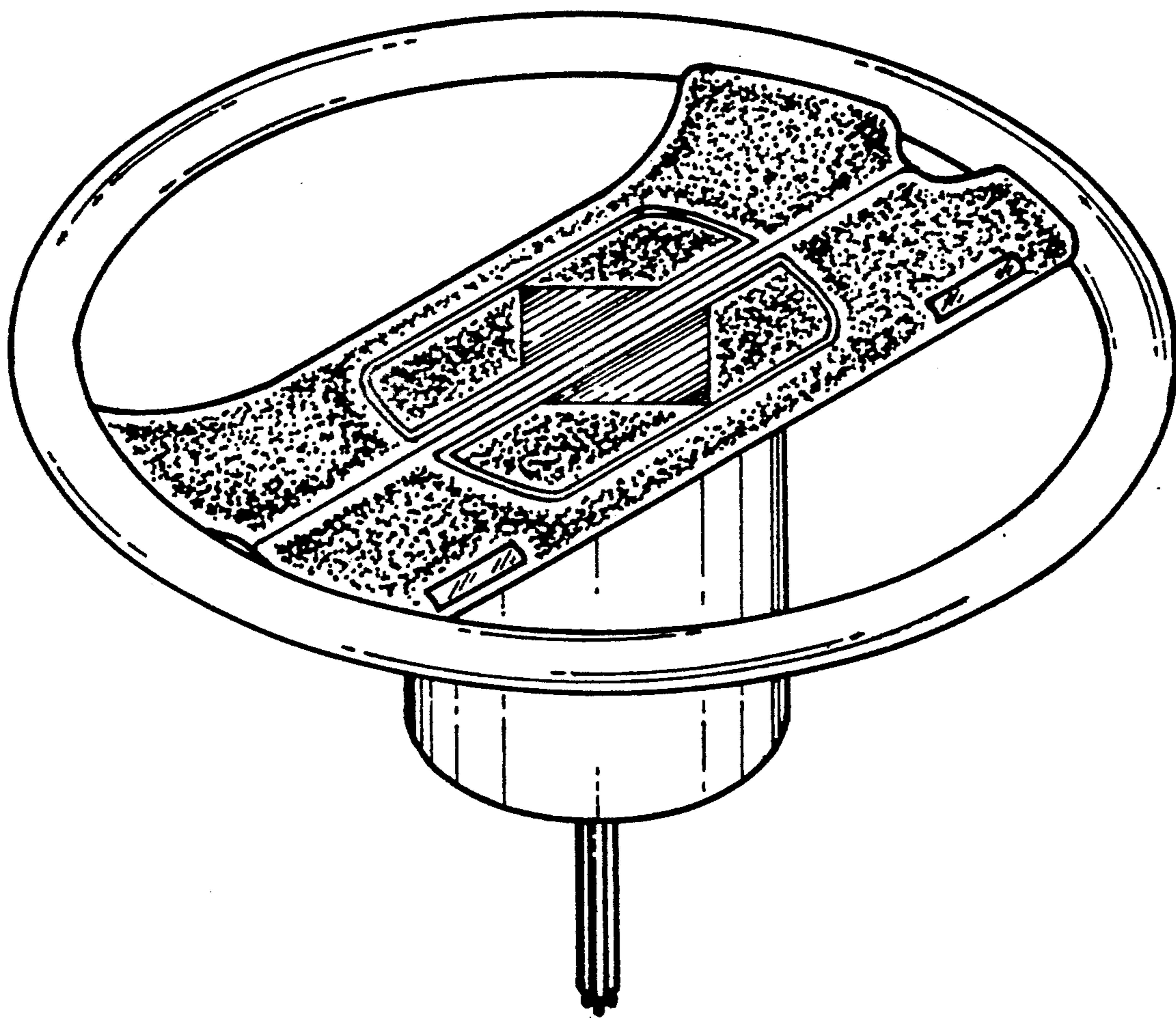


FIG.1

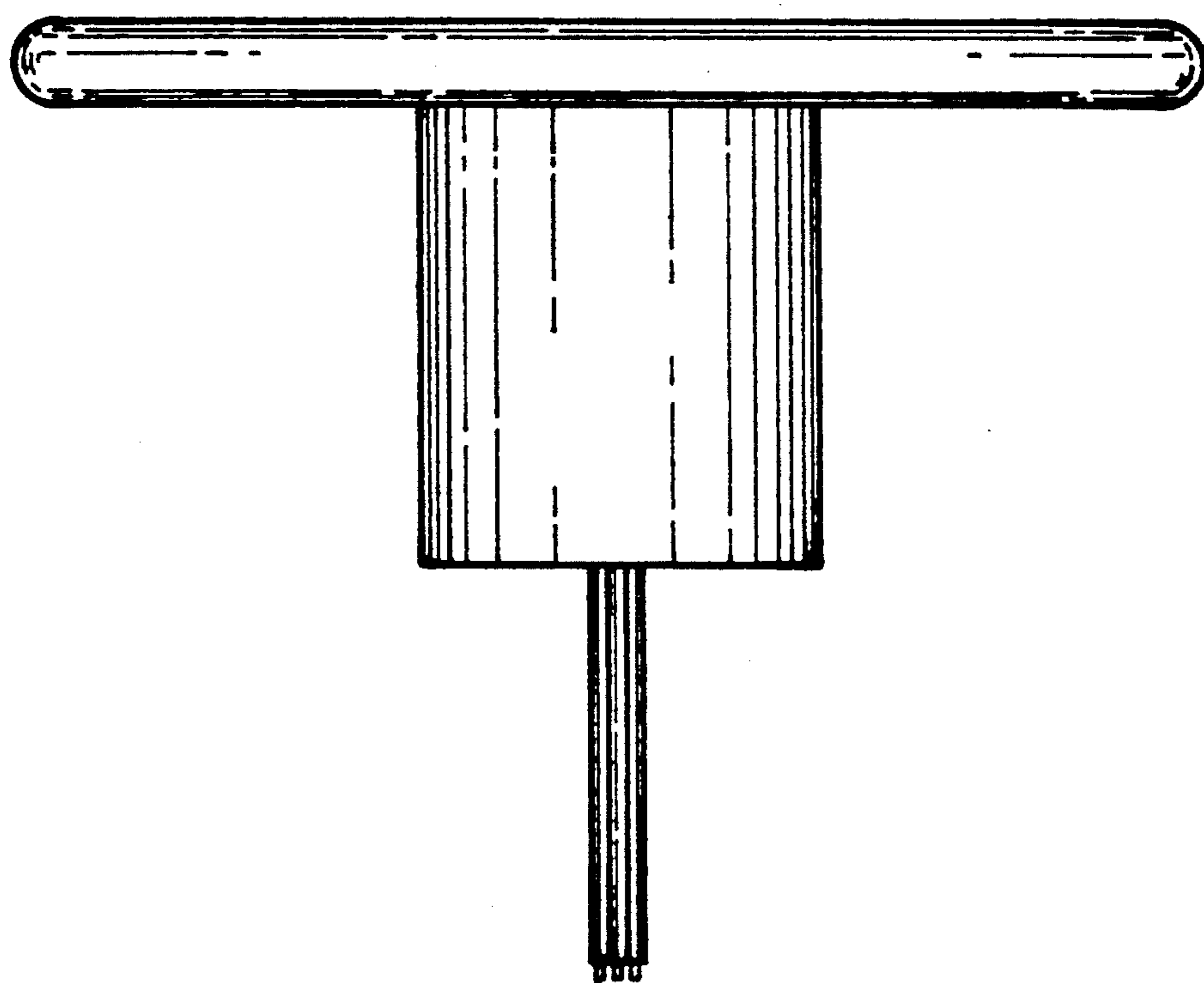


FIG. 2

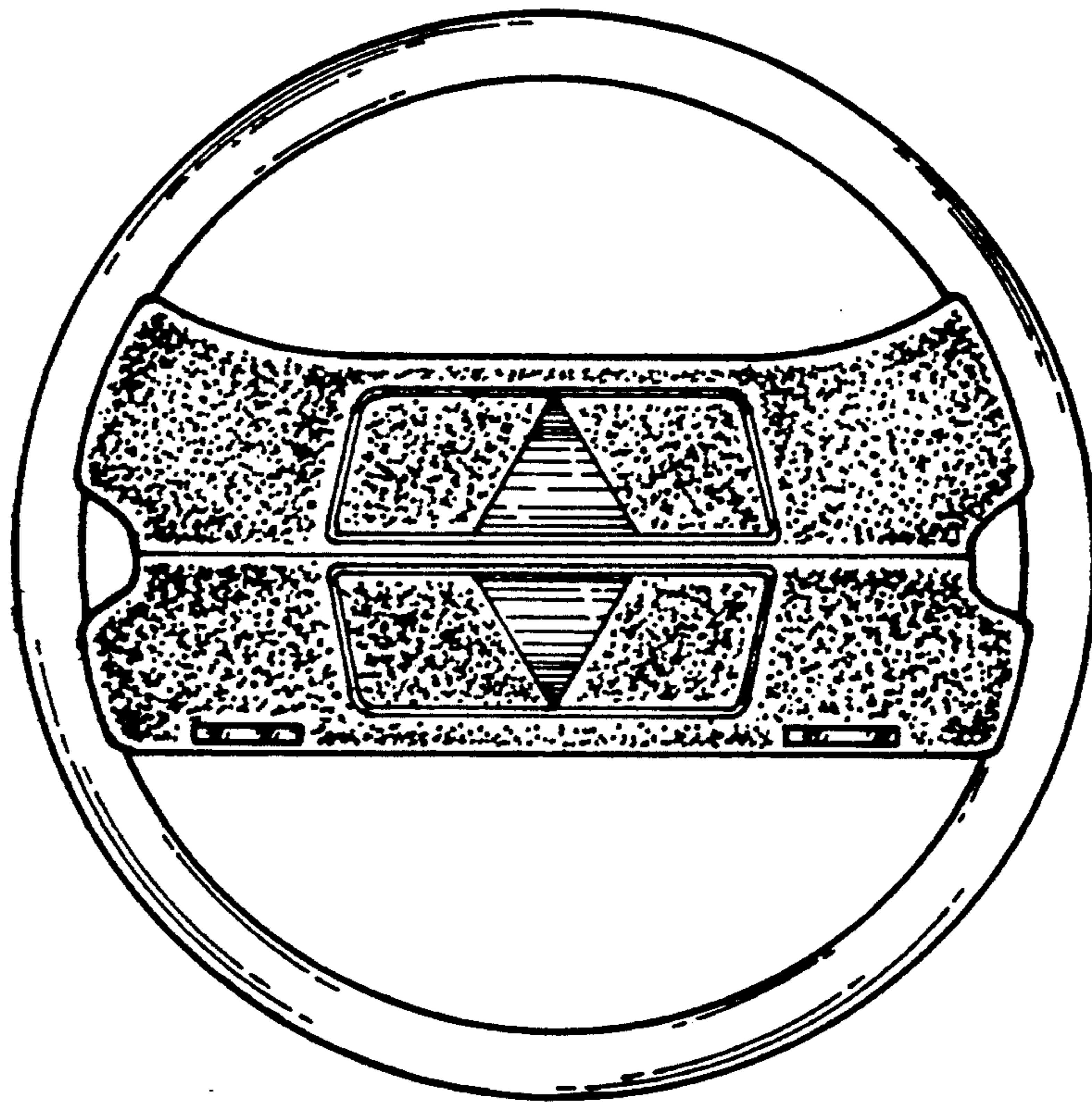


FIG. 3

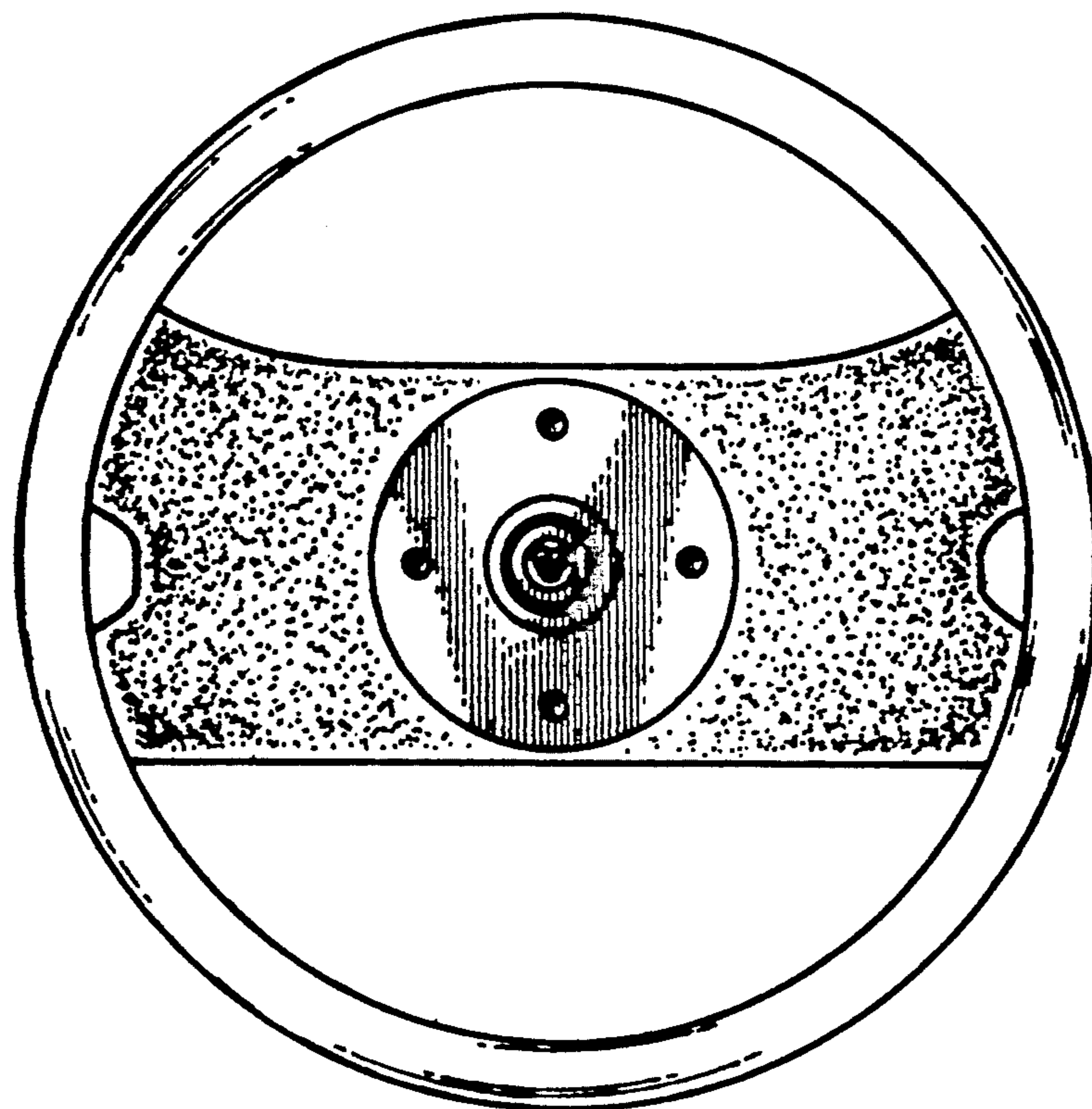


FIG. 4