



US00D347810S

# United States Patent [19]

[11] Patent Number: Des. 347,810

Matthies

[45] Date of Patent: \*\* Jun. 14, 1994

[54] PAN COVER FOR MOTORCYCLE

[76] Inventor: Lawayne L. Matthies, 809 Manor St., Grand Prairie, Tex. 75050

[\*\*] Term: 14 Years

[21] Appl. No.: 909,827

[22] Filed: Jul. 8, 1992

[52] U.S. Cl. .... D12/126

[58] Field of Search ..... 180/69.1, 219; D12/126, D12/114

Drag Specialties Catalog; 1987, p. 495, the Injection Pulse Cover.

Harley-Davidson Panhead Service Manual, 1948-1957 Rigid, Cover Illustration, pp. 55 and 74. Date of publication unknown.

Primary Examiner—Wallace R. Burke

Assistant Examiner—M. Brown

Attorney, Agent, or Firm—Andrew M. Hassell

### [57] CLAIM

The ornamental design for a pan cover for motorcycle, as shown and described.

### DESCRIPTION

FIG. 1 is a front elevation view tilted at 45 degrees of a pan cover for motorcycle showing my new design, the broken lines are for illustrative purposes only and form no part of the claimed design;

FIG. 2 is an enlarged perspective view thereof;

FIG. 3 is an enlarged top plan view thereof;

FIG. 4 is an enlarged front elevation view thereof;

FIG. 5 is an enlarged right side elevation view thereof;

FIG. 6 is an enlarged rear elevation view thereof;

FIG. 7 is an enlarged left side elevation view thereof;

and,

FIG. 8 is an enlarged bottom plan view thereof.

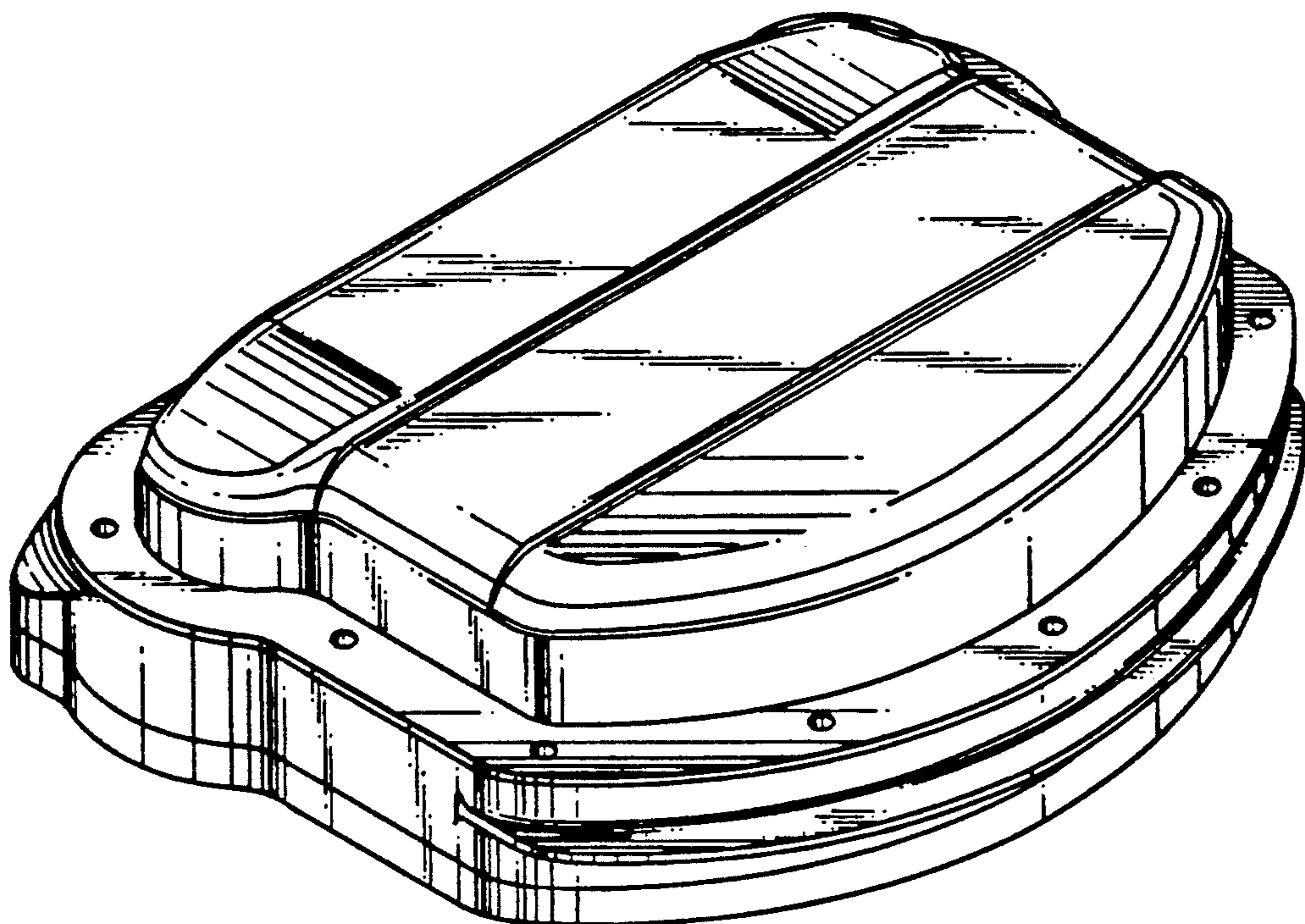
### [56] References Cited

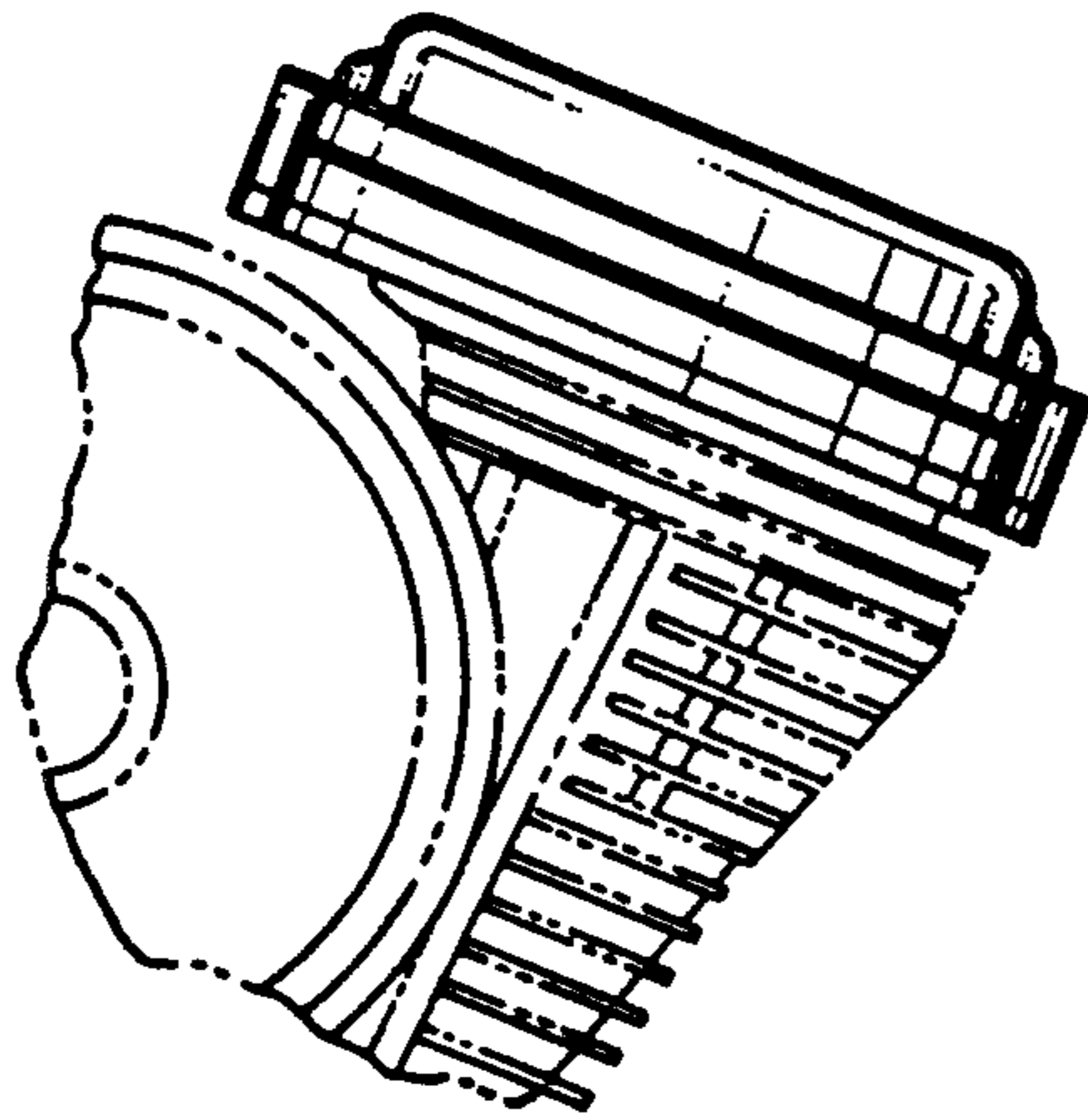
#### U.S. PATENT DOCUMENTS

D. 274,136	6/1984	Stahel	.....	D12/114
D. 280,495	9/1985	Stahel	.....	D12/126
3,396,810	8/1968	Andrews	.....	180/69.1
4,750,775	6/1988	Miller	.....	180/69.1
4,770,262	9/1988	Yasunaga et al.	.....	180/69.1

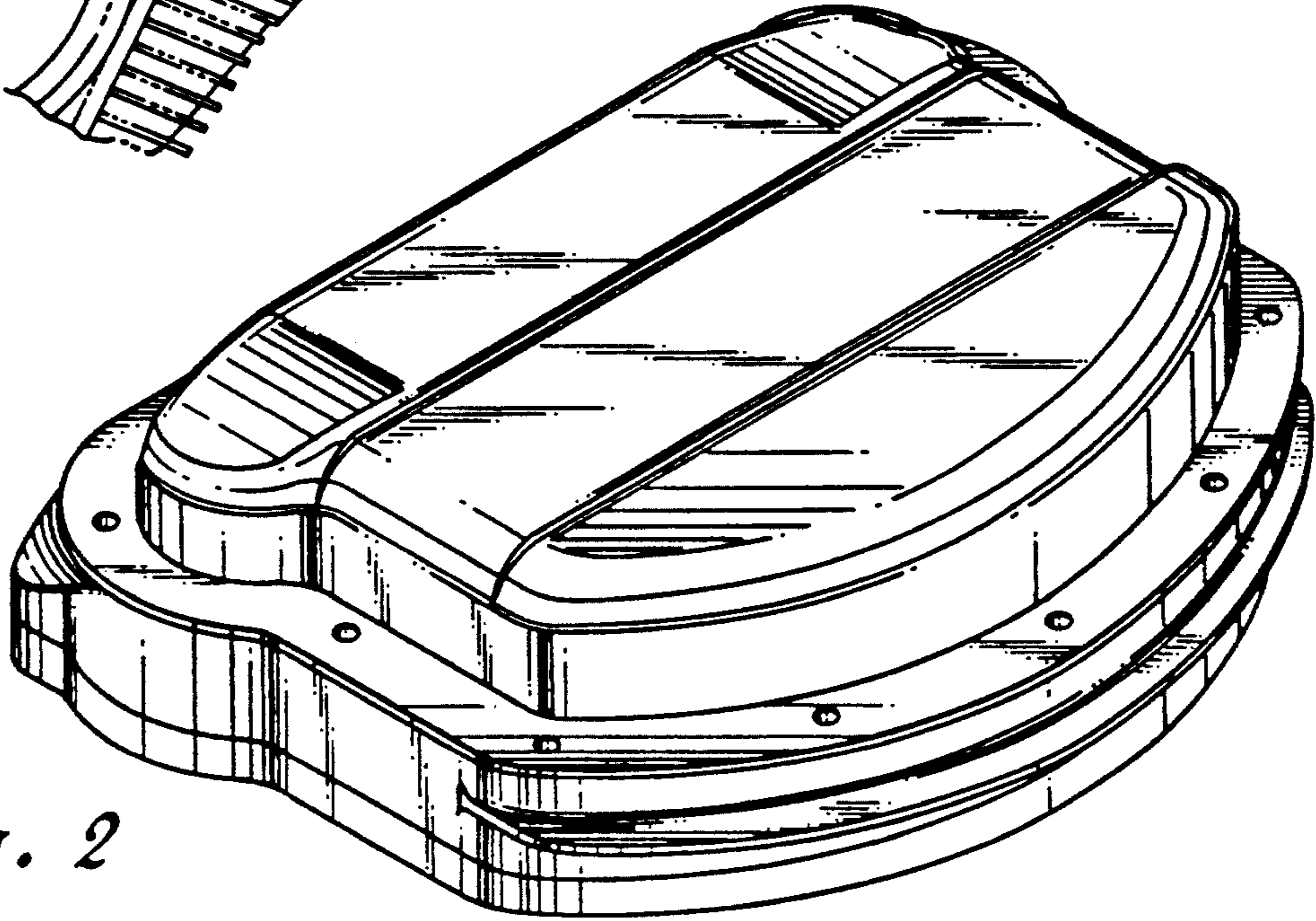
#### OTHER PUBLICATIONS

Harley Davidson Accessories Catalog, 1987, p. (front cover); Pan Cover Shown on Motorcycle.

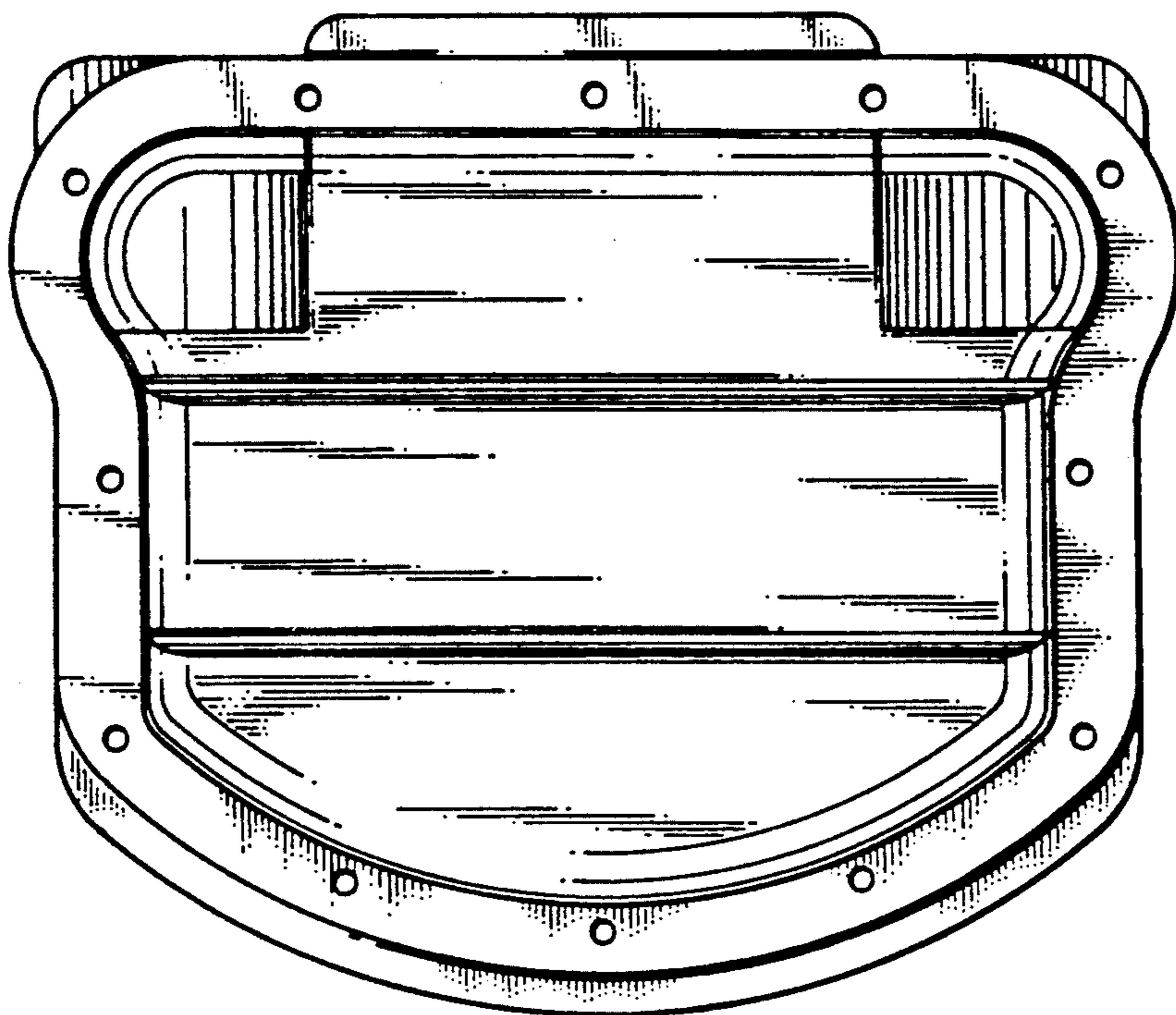




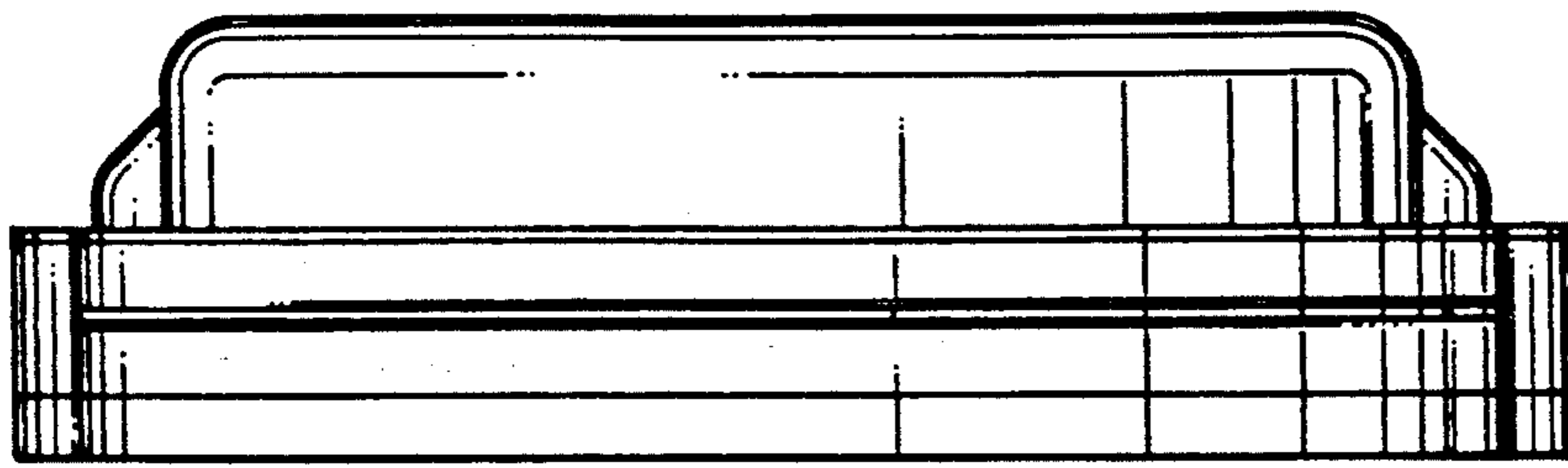
*Fig. 1*



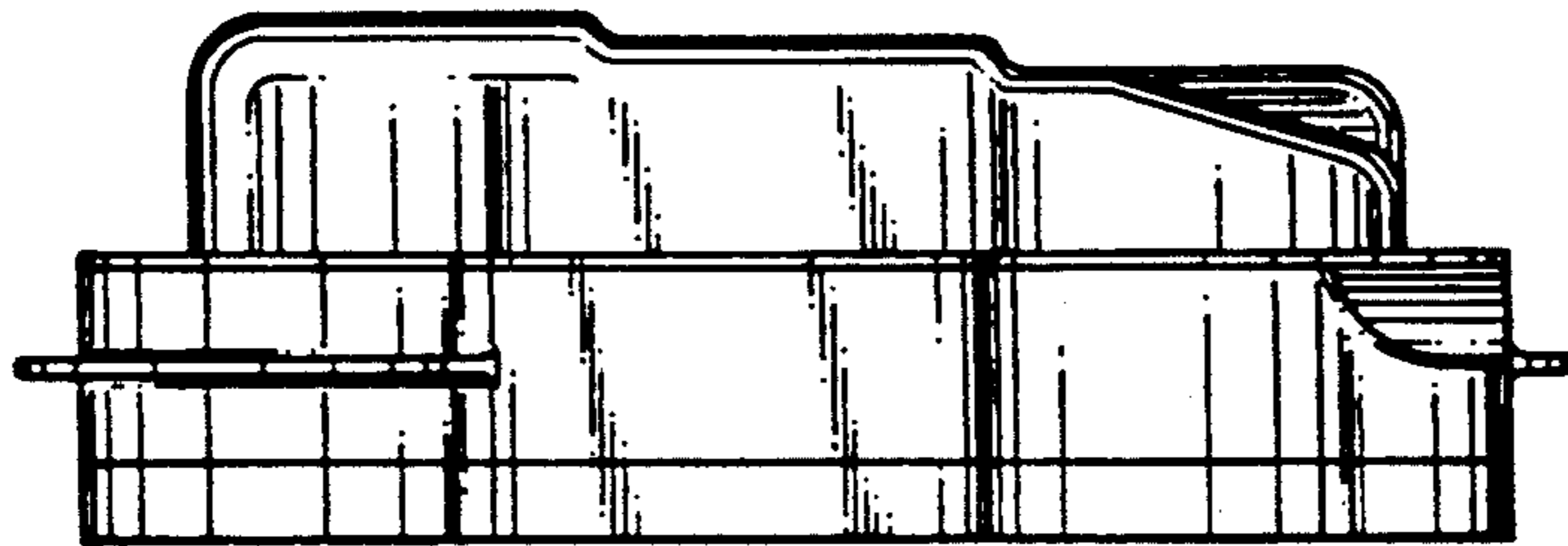
*Fig. 2*



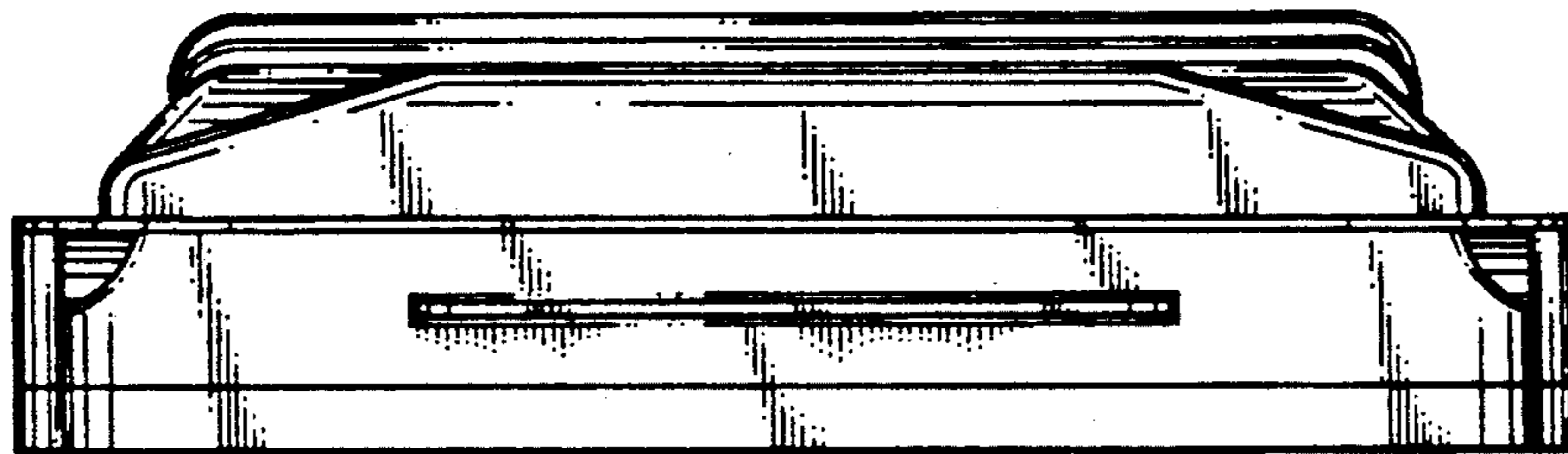
*Fig. 3*



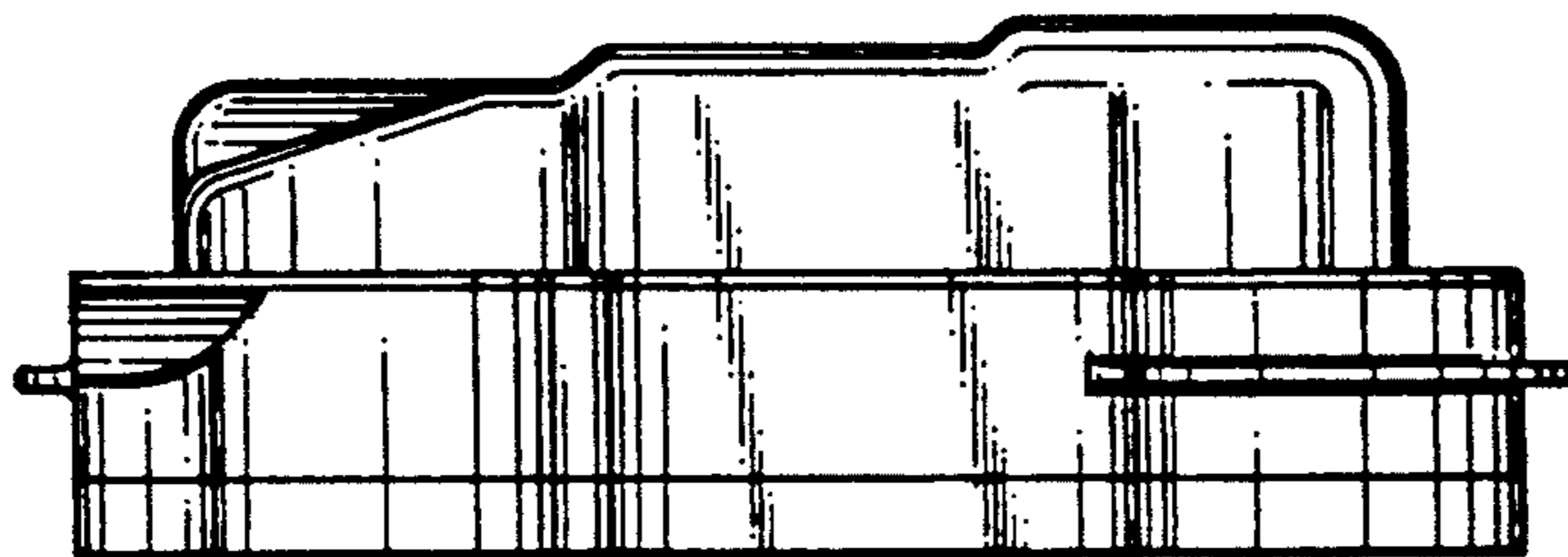
*Fig. 4*



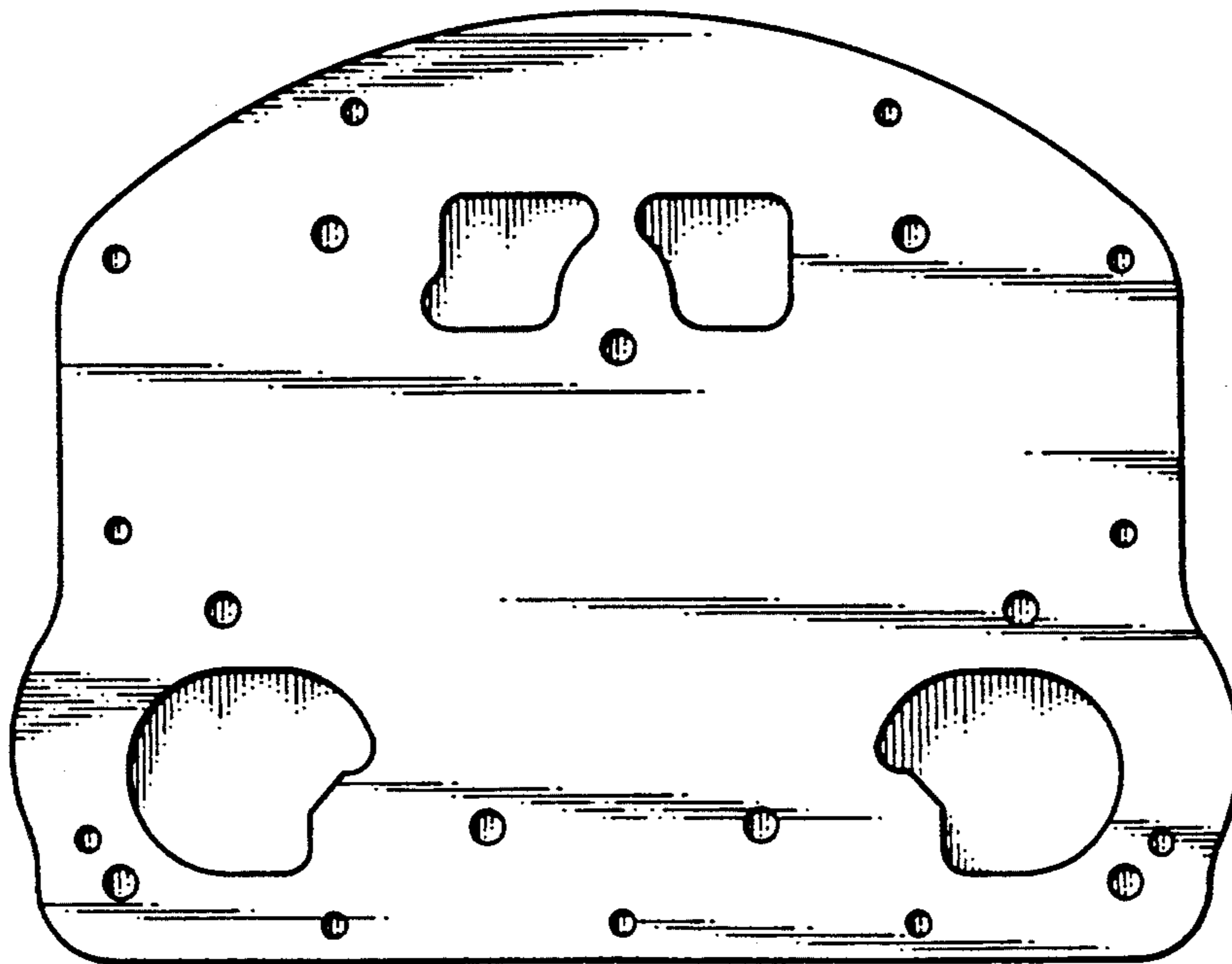
*Fig. 5*



*Fig. 6*



*Fig. 7*



*Fig. 8*