



US00D347807S

**United States Patent** [19]  
**Tsun**

[11] **Patent Number: Des. 347,807**  
[45] **Date of Patent: \*\* Jun. 14, 1994**

[54] **BICYCLE**

[76] **Inventor: Lin Y. Tsun, No. 160, Sec. 1, Chang Hsi Road, Tainan, Taiwan**

[\*\*] **Term: 14 Years**

[21] **Appl. No.: 852**

[22] **Filed: Oct. 26, 1992**

[52] **U.S. Cl. .... D12/108**

[58] **Field of Search ..... 280/1.13, 1.202, 1.204; D12/108; D21/73, 74, 76, 81, 83, 148, 155, 157, 160, 247, 250**

[56] **References Cited**

**U.S. PATENT DOCUMENTS**

D. 227,492 6/1973 Wood ..... D21/76  
D. 235,051 5/1975 Williams ..... D12/108

D. 273,774 5/1984 Levy et al. .... D12/112  
D. 323,434 1/1993 Tsun ..... D12/108

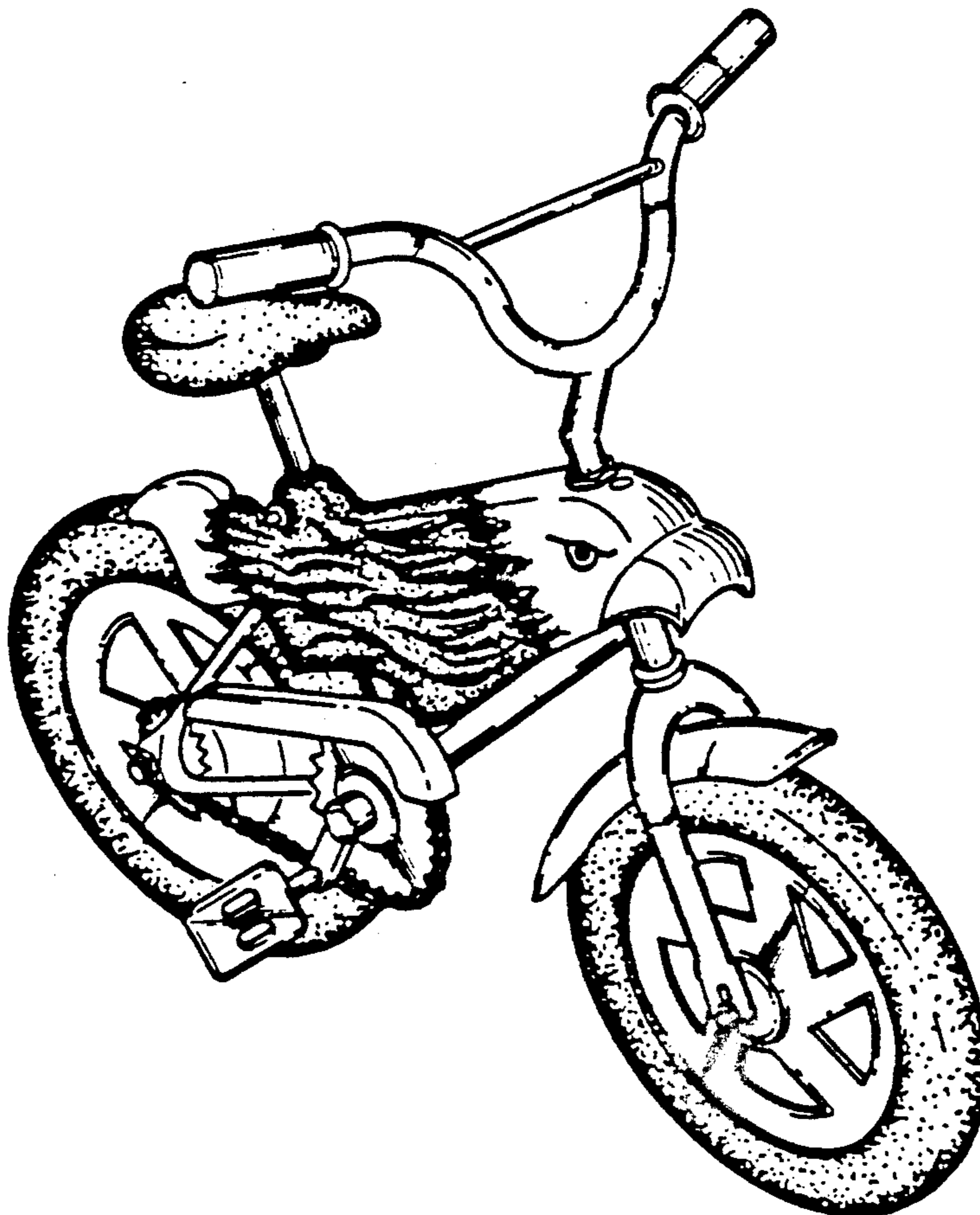
*Primary Examiner—Wallace R. Burke*  
*Assistant Examiner—M. Brown*  
*Attorney, Agent, or Firm—Pro-Techtor International*

[57] **CLAIM**

The ornamental design for a bicycle, as shown.

**DESCRIPTION**

FIG. 1 is a perspective view of a bicycle showing my new design;  
FIG. 2 is a front elevational view thereof;  
FIG. 3 is a rear elevational view thereof;  
FIG. 4 is a left side elevational view thereof;  
FIG. 5 is a right side elevational view thereof;  
FIG. 6 is a top plan view thereof; and,  
FIG. 7 is a bottom plan view.



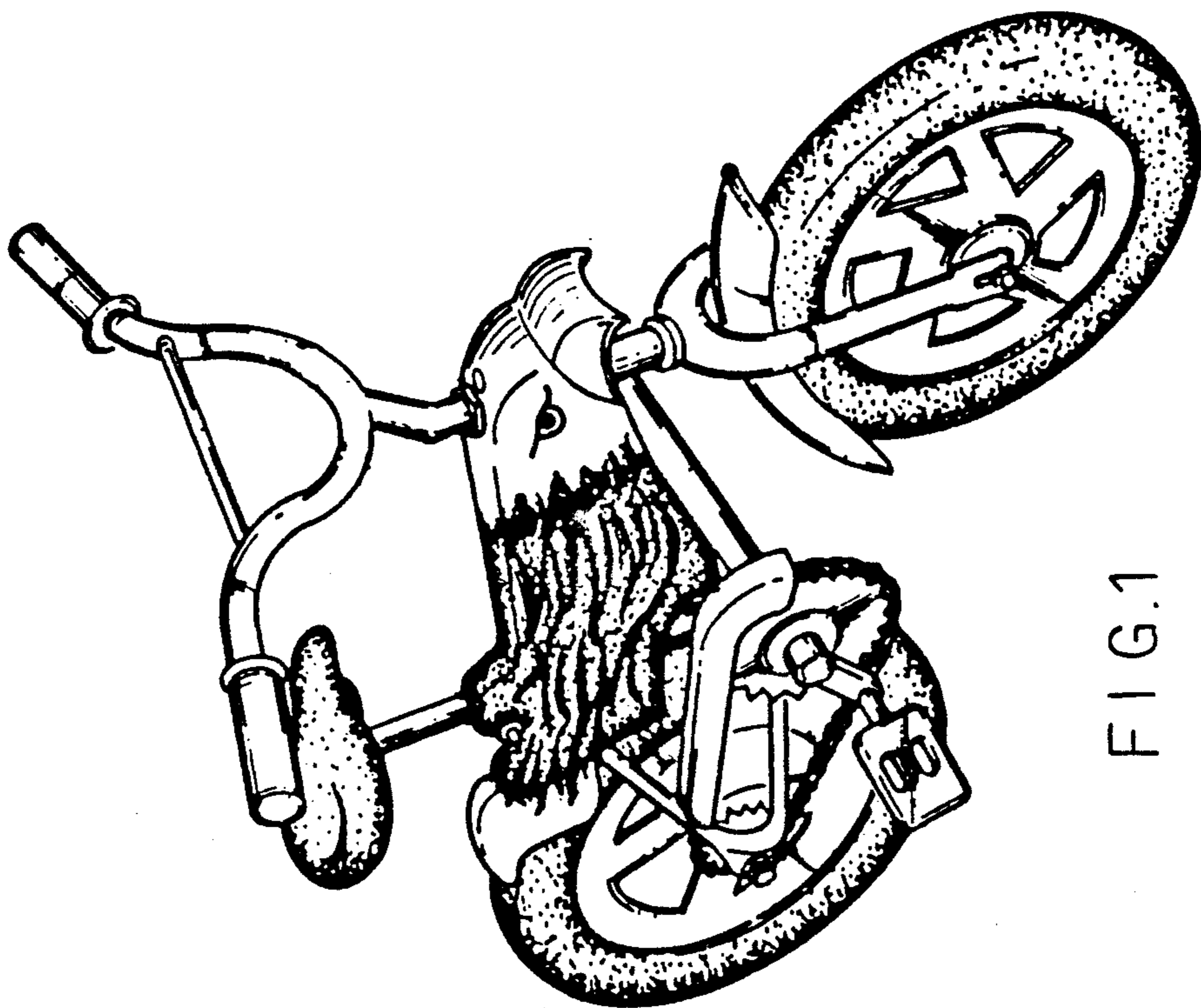


FIG. 1

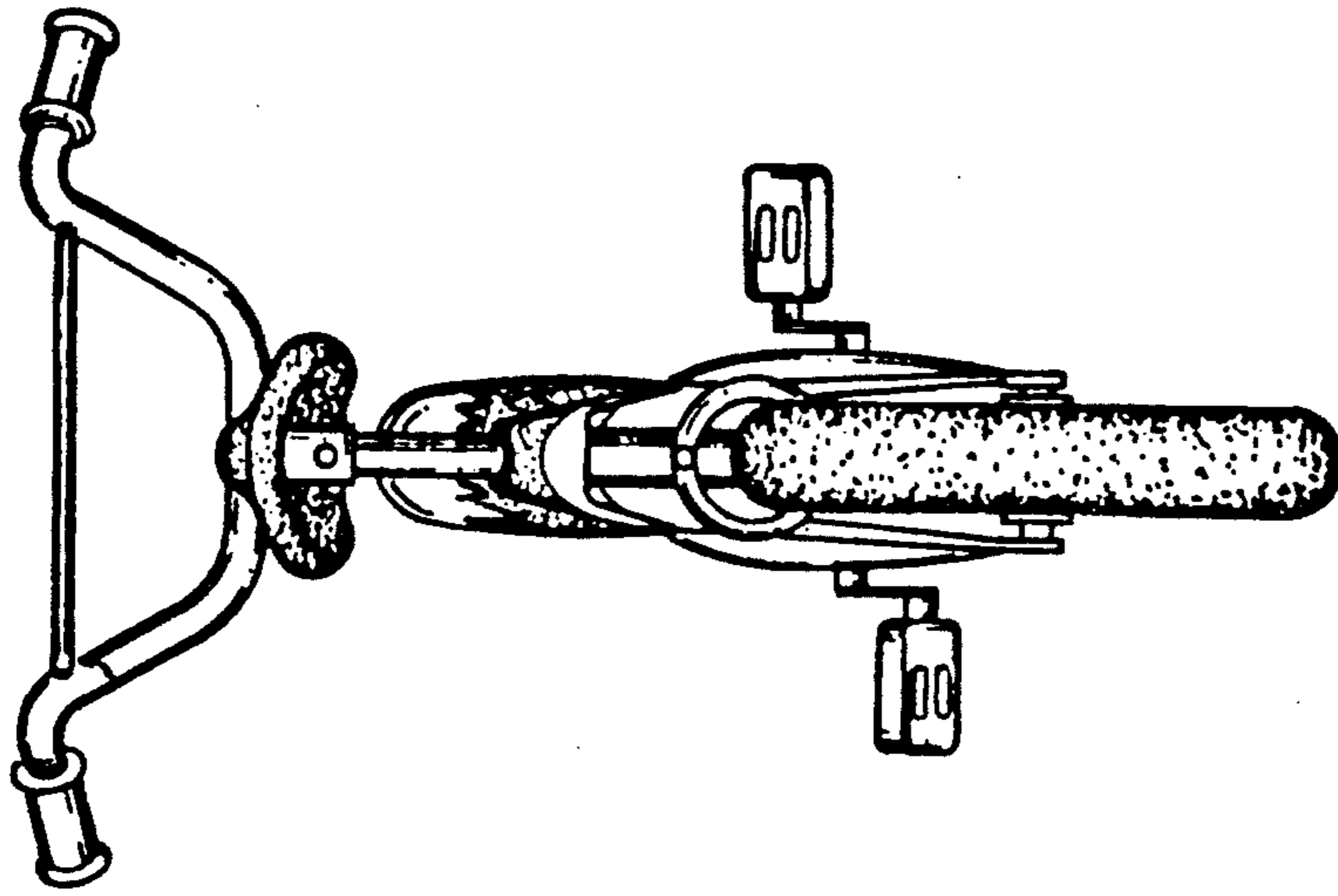


FIG. 3

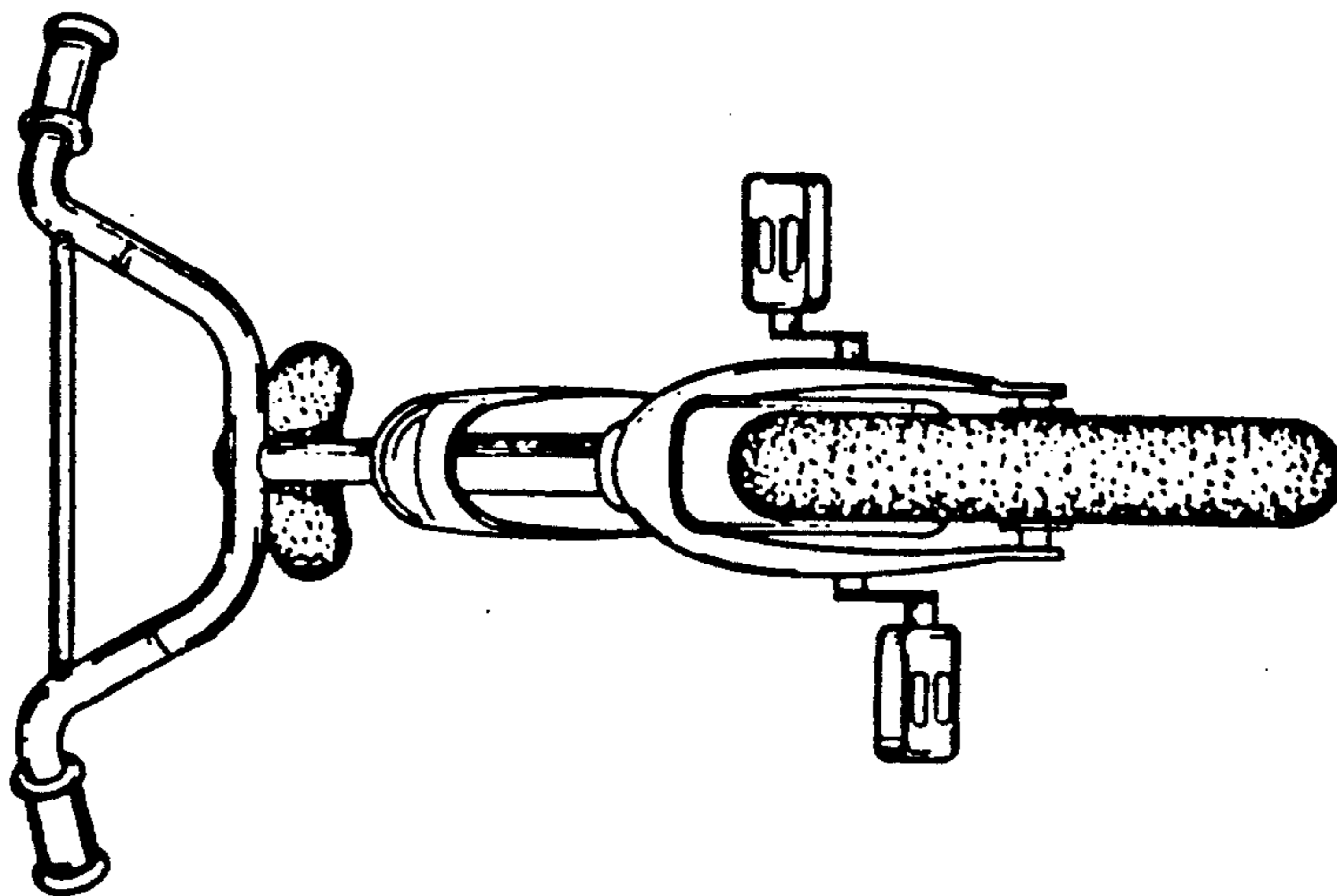


FIG. 2

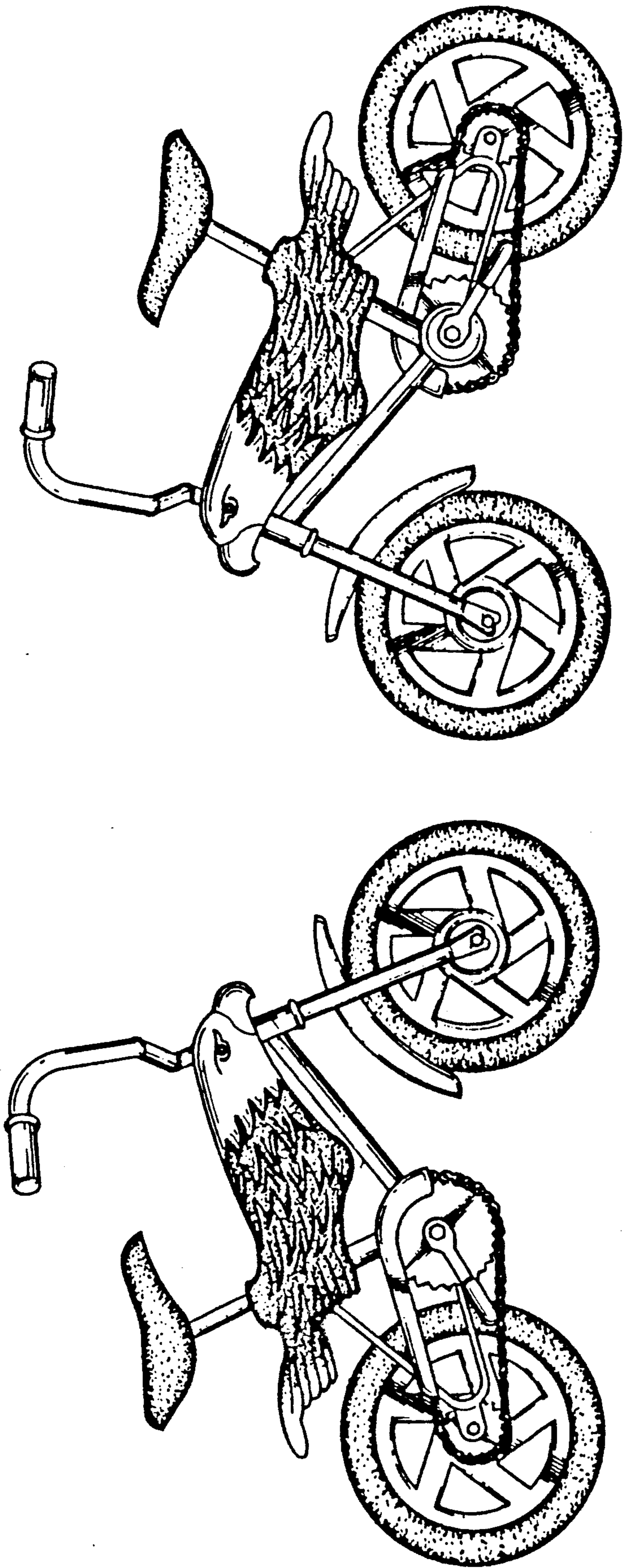


FIG. 5

FIG. 4

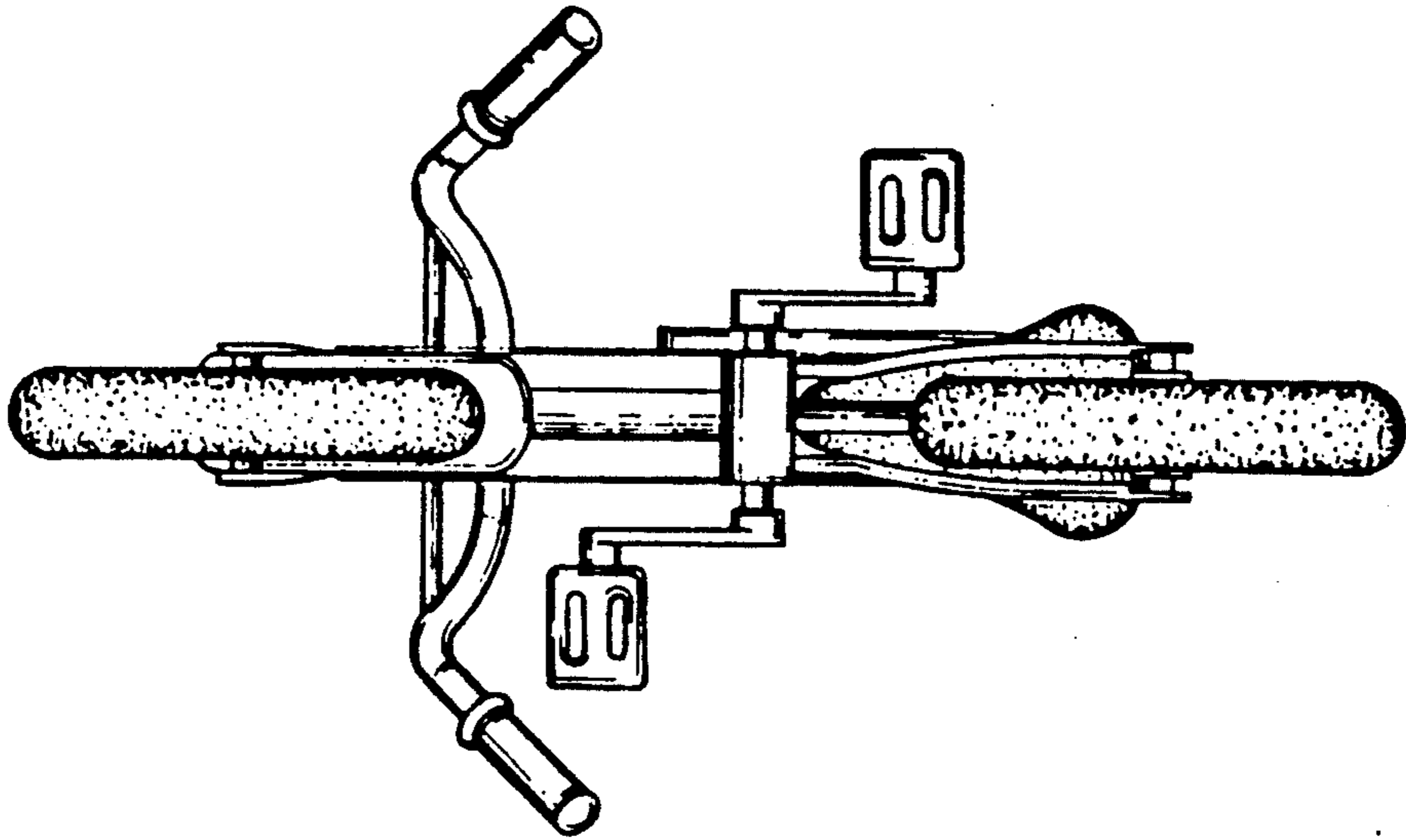


FIG. 7

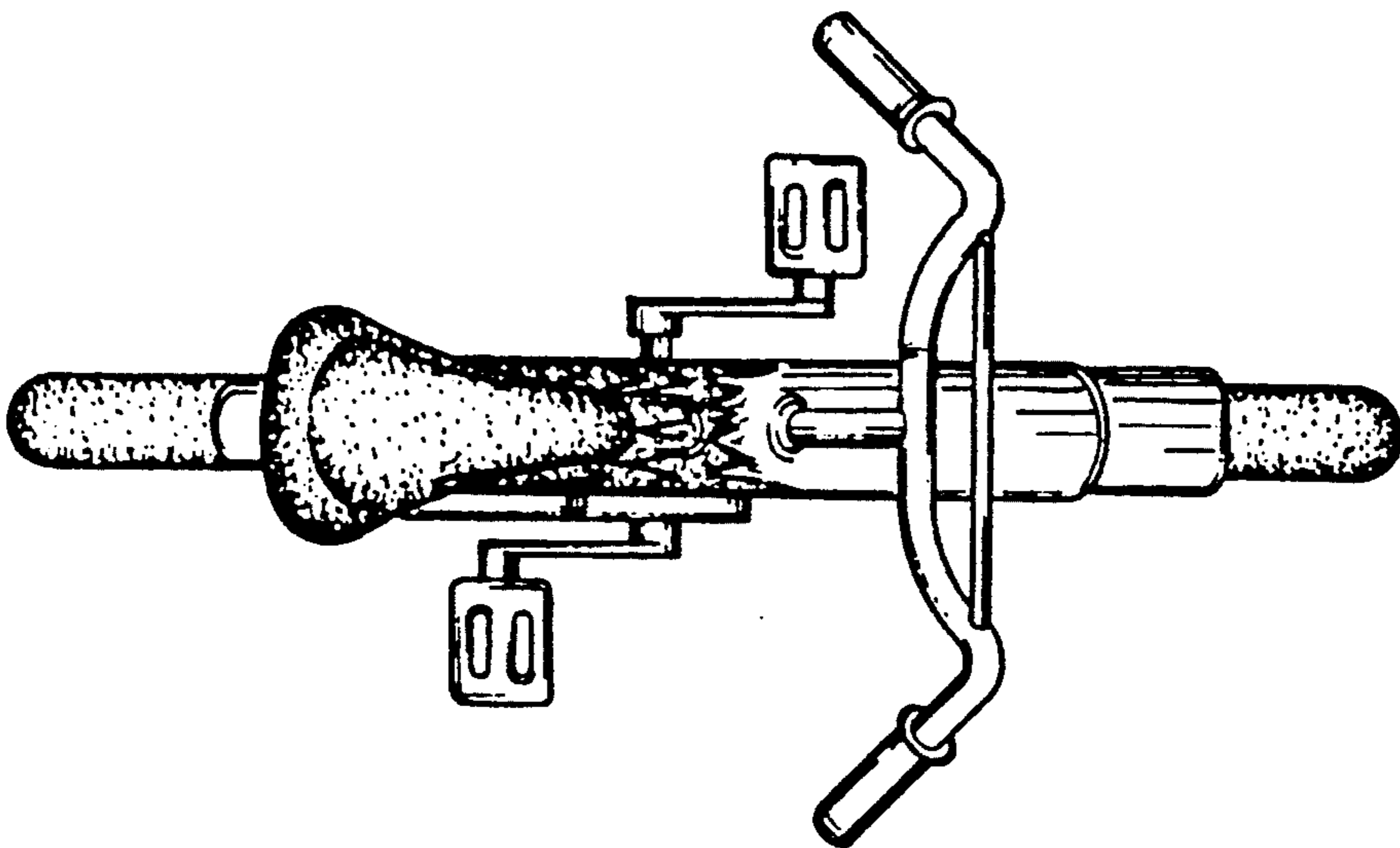


FIG. 6