



US00D347796S

United States Patent [19]
Wolff

[11] **Patent Number: Des. 347,796**
[45] **Date of Patent: ** Jun. 14, 1994**

[54] **DESK CLOCK**

[76] **Inventor: Stephen H. Wolff, 35 W. 35th St.,
New York, N.Y. 10001**

[**] **Term: 14 Years**

[21] **Appl. No.: 752,334**

[22] **Filed: Aug. 30, 1991**

[52] **U.S. Cl. D10/22; D10/23**

[58] **Field of Search 368/276-277,
368/285; D10/1-40, 122-132**

[56] **References Cited**

U.S. PATENT DOCUMENTS

D. 161,957	2/1951	Newman	D10/22
D. 208,998	10/1967	Jeanrenaud	D10/23
D. 256,559	8/1980	Cross	D10/22
D. 270,335	8/1983	Lam	D10/22 X
D. 325,594	4/1992	Ditzig	D10/22 X
1,074,767	10/1913	Bannatyne	D10/22 X

OTHER PUBLICATIONS

Hong Kong Enterprise-Jun. 1990-p. 112-clock at bottom right.

Hong Kong Enterprise-Jun. 1990-p. 88-clock at left third row from top.

Jewelers Circular-Keystone-Sep. 1963-p. 134-clock at left.

Primary Examiner-Nelson C. Holtje
Attorney, Agent, or Firm-Lerner, David, Littenberg, Krumholz & Mentlik

[57] **CLAIM**

The ornamental design for a desk clock, as shown and described.

DESCRIPTION

FIG. 1 is a front perspective view of a desk clock showing my new design;

FIG. 2 is a top plan view;

FIG. 3 is a front elevational view;

FIG. 4 is a rear elevational view;

FIG. 5 is a right side elevational view;

FIG. 6 is a left side elevational view; and,

FIG. 7 is a bottom plan view.

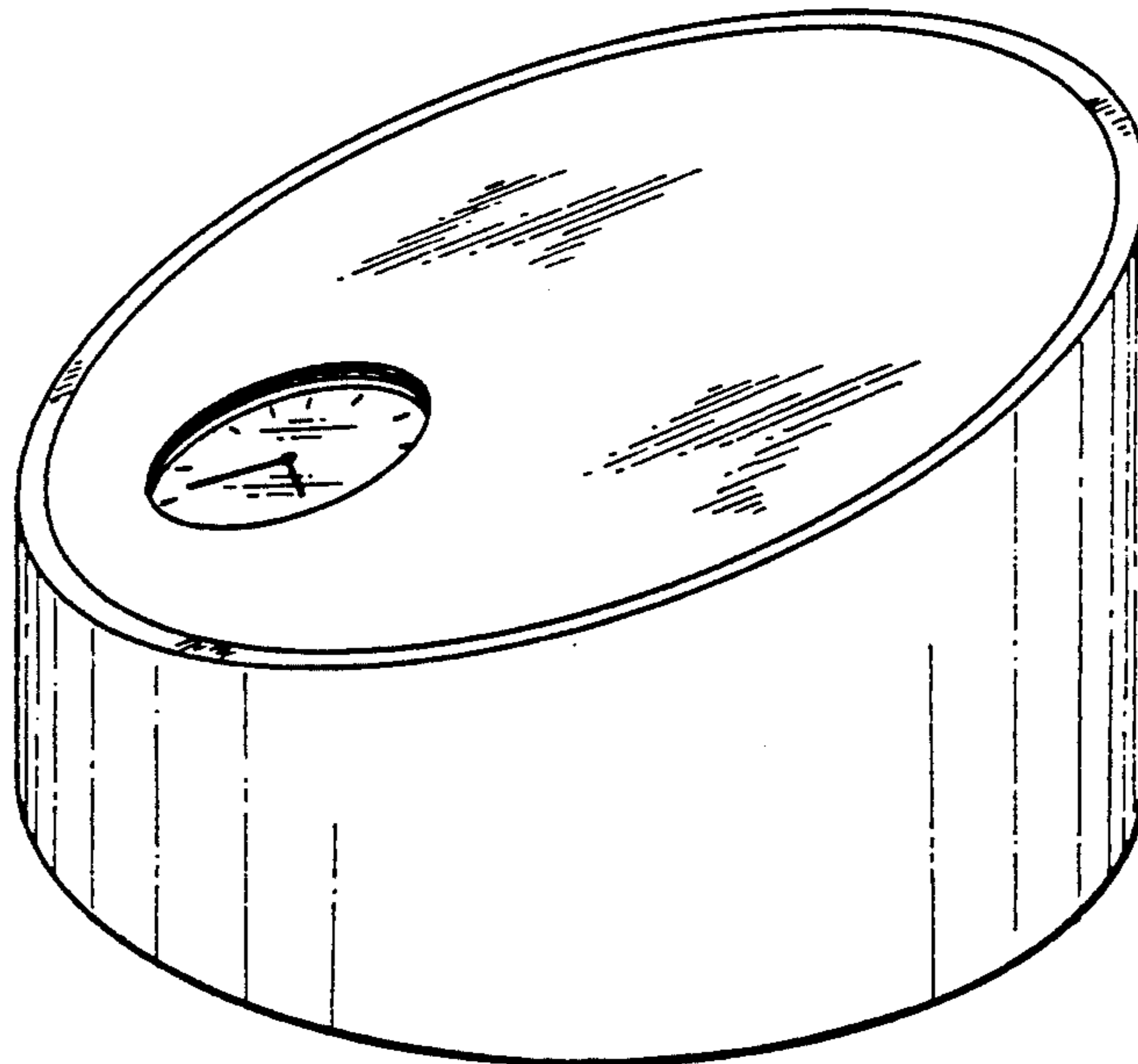


FIG. 1

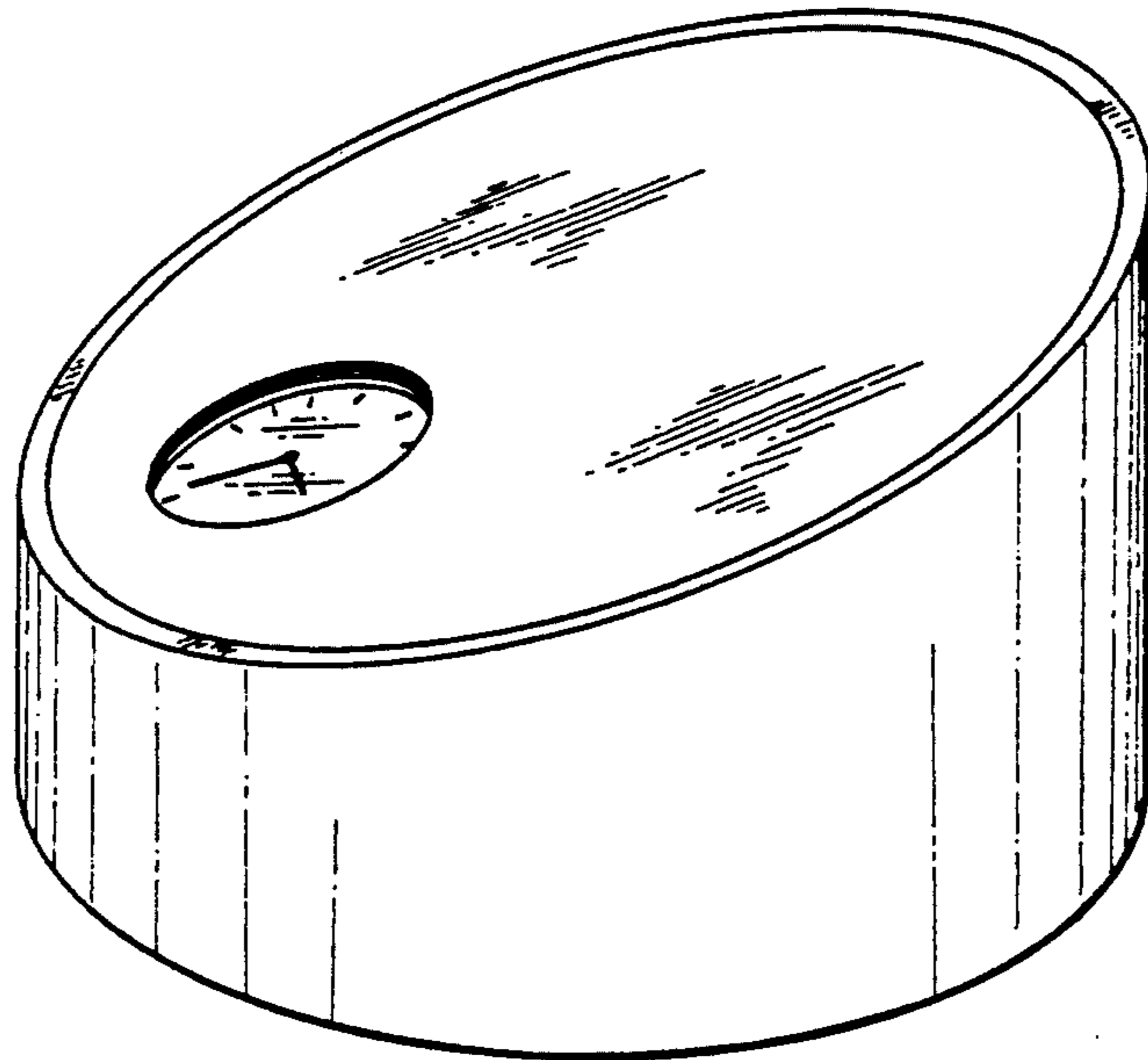


FIG. 2

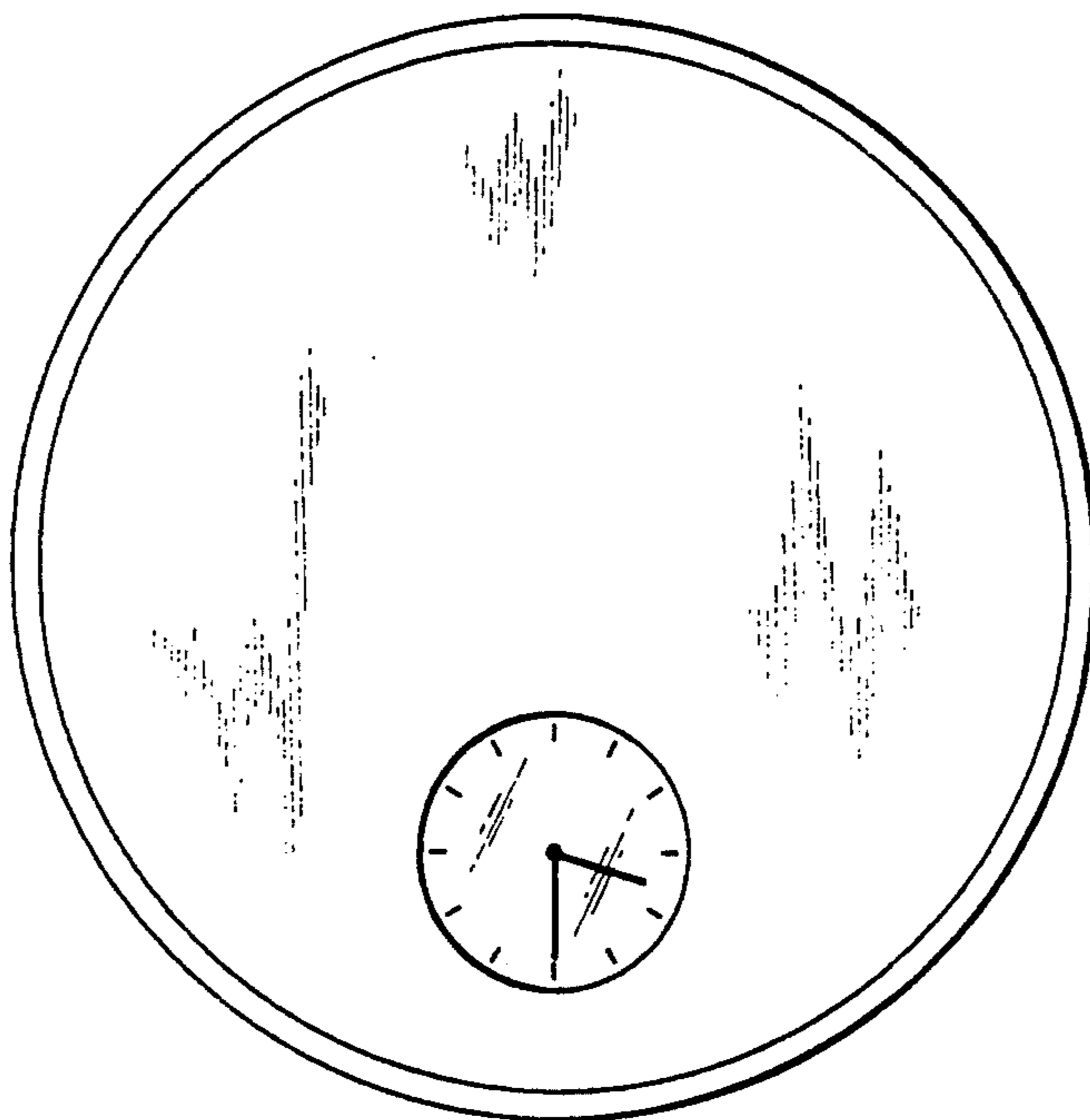


FIG. 3

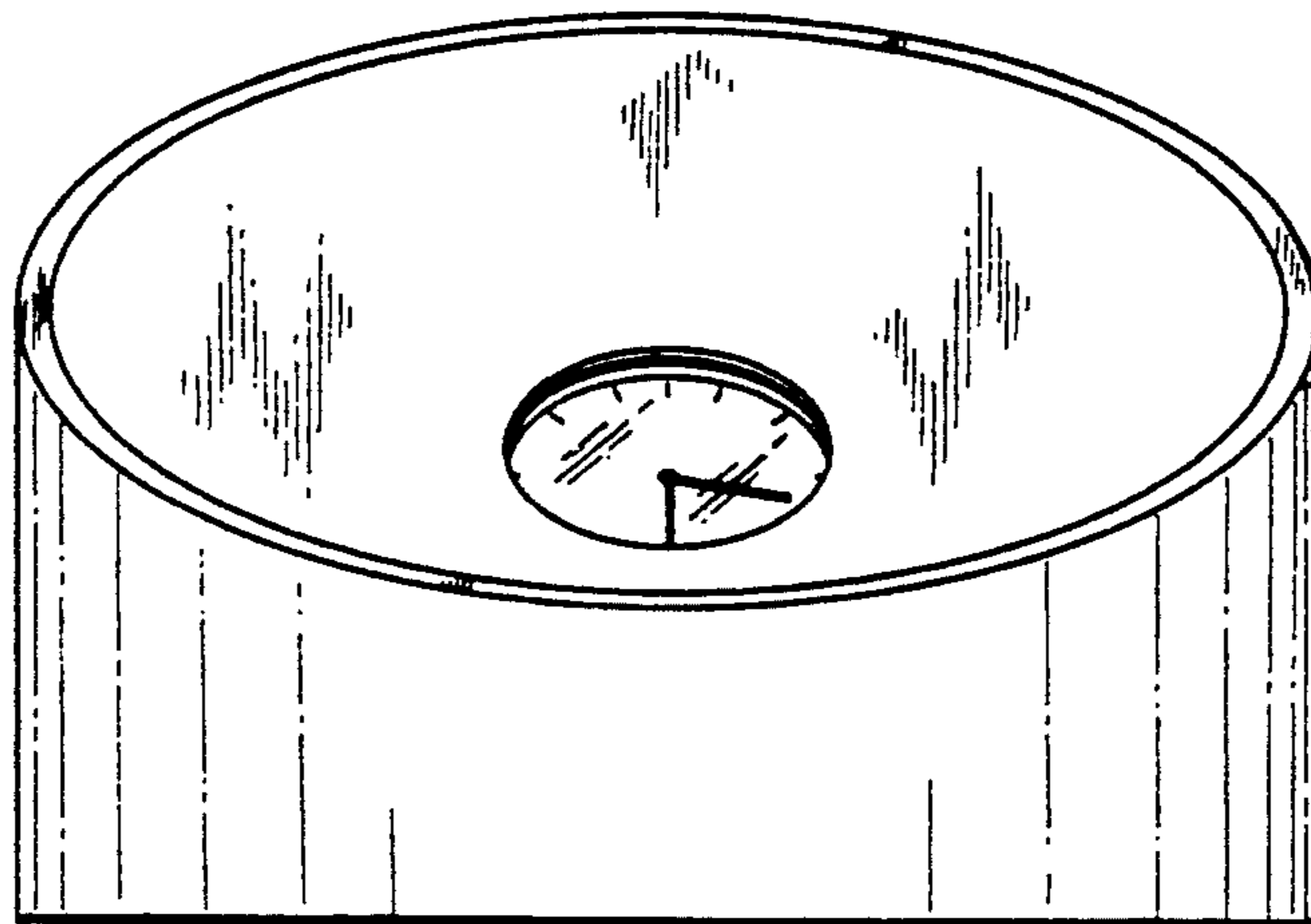


FIG. 4

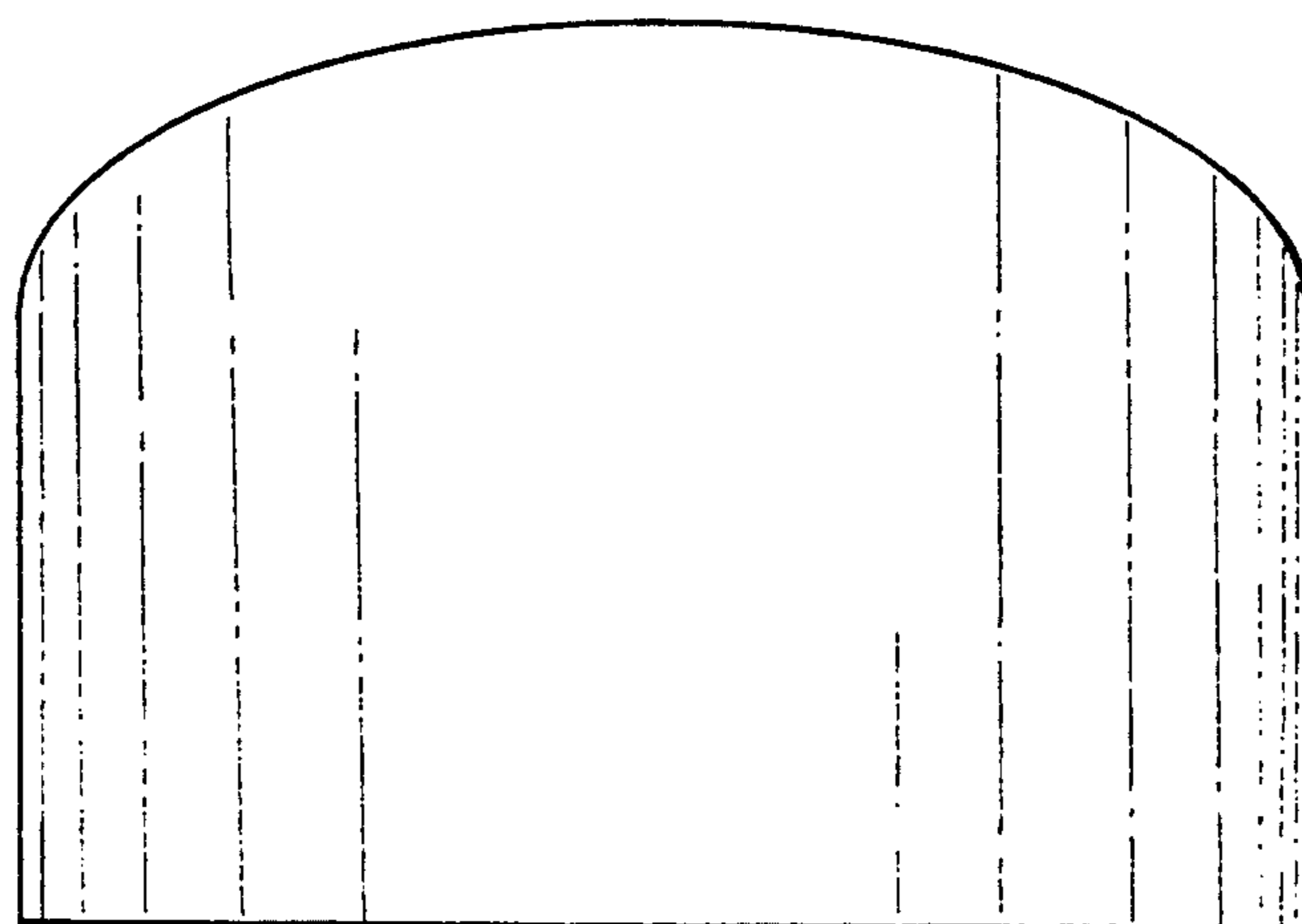


FIG. 5

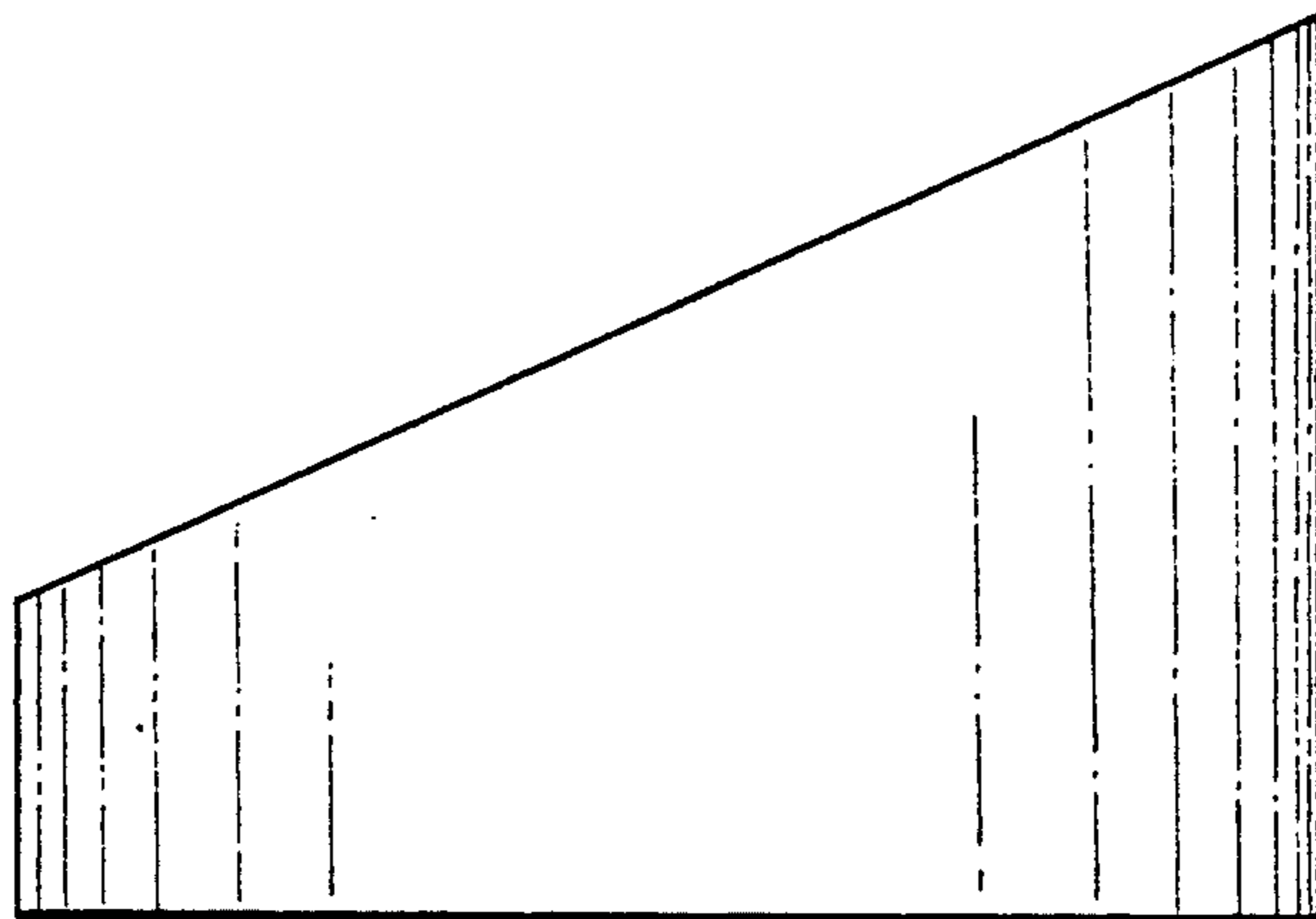


FIG. 6

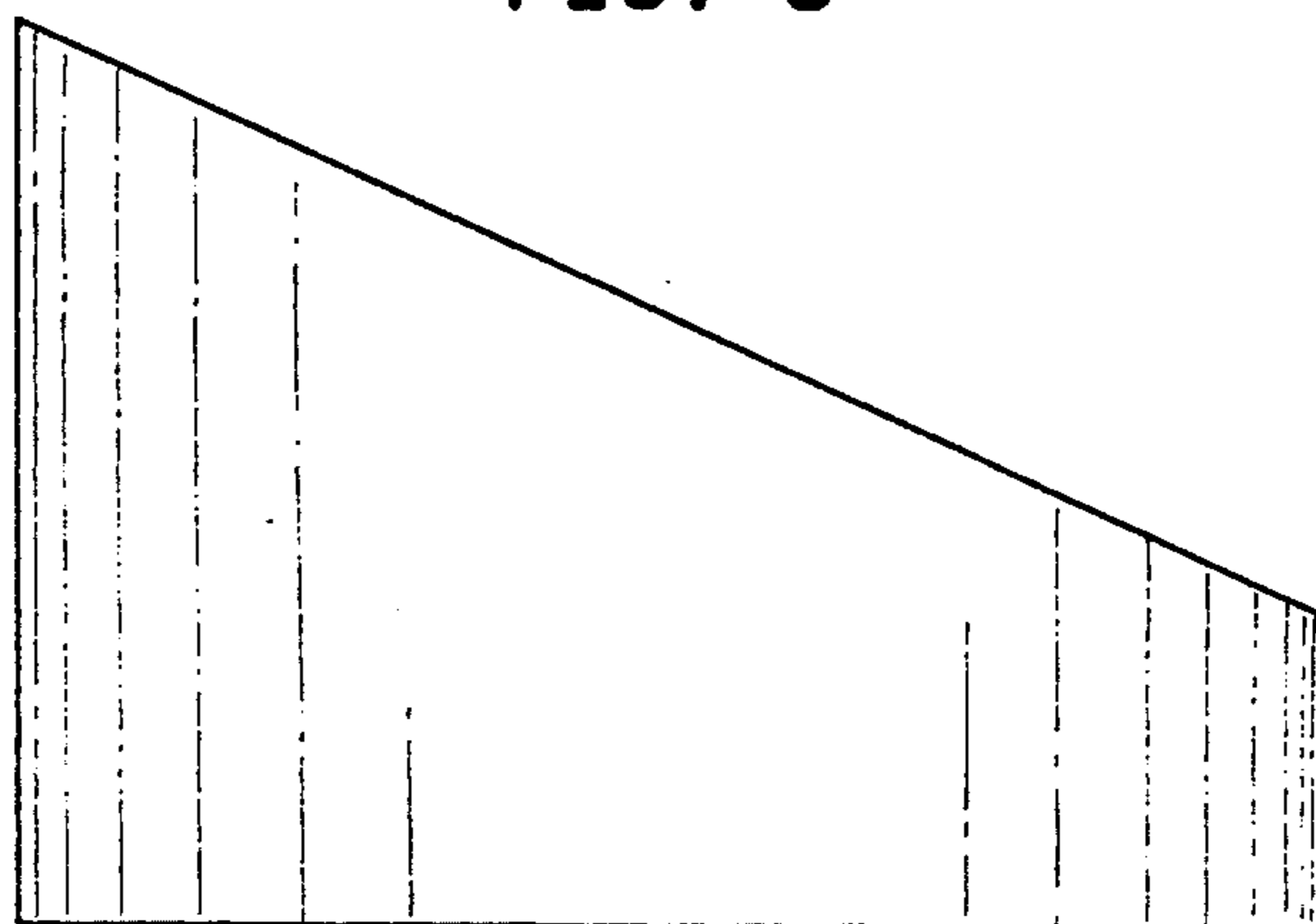


FIG. 7

