



US00D347789S

United States Patent [19]

[11] Patent Number: **Des. 347,789**

Kaplan

[45] Date of Patent: **** Jun. 14, 1994**

[54] **TRANSPARENT PACKAGE FOR AN INFLATABLE PILLOW**

[75] Inventor: **Mark Kaplan, Newton, Mass.**

[73] Assignee: **Laloren, Inc., Stoughton, Mass.**

[**] Term: **14 Years**

[21] Appl. No.: **849,691**

[22] Filed: **Mar. 10, 1992**

[52] U.S. Cl. **D9/305; D3/299**

[58] Field of Search **D9/305, 306, 346, 415; D6/595, 601; 4/575.1, 580; 383/22, 24, 26, 31, 78, 84, 210; D3/77.79**

D. 316,227	4/1991	Gentes et al.	D9/415
D. 325,143	4/1992	Franzese	D6/595
1,157,388	10/1915	Hernhuter	383/31 X
1,454,953	5/1923	Bunker et al.	383/31 X
2,085,365	6/1937	Israel	383/84 X
2,620,120	12/1952	Anderson	383/22
2,861,735	11/1958	Faltin	383/84 X

Primary Examiner—Bernard Ansher
Assistant Examiner—M. Siegel
Attorney, Agent, or Firm—John L. Welch

[57] CLAIM

The ornamental design for a transparent package for an inflatable pillow, as shown and described.

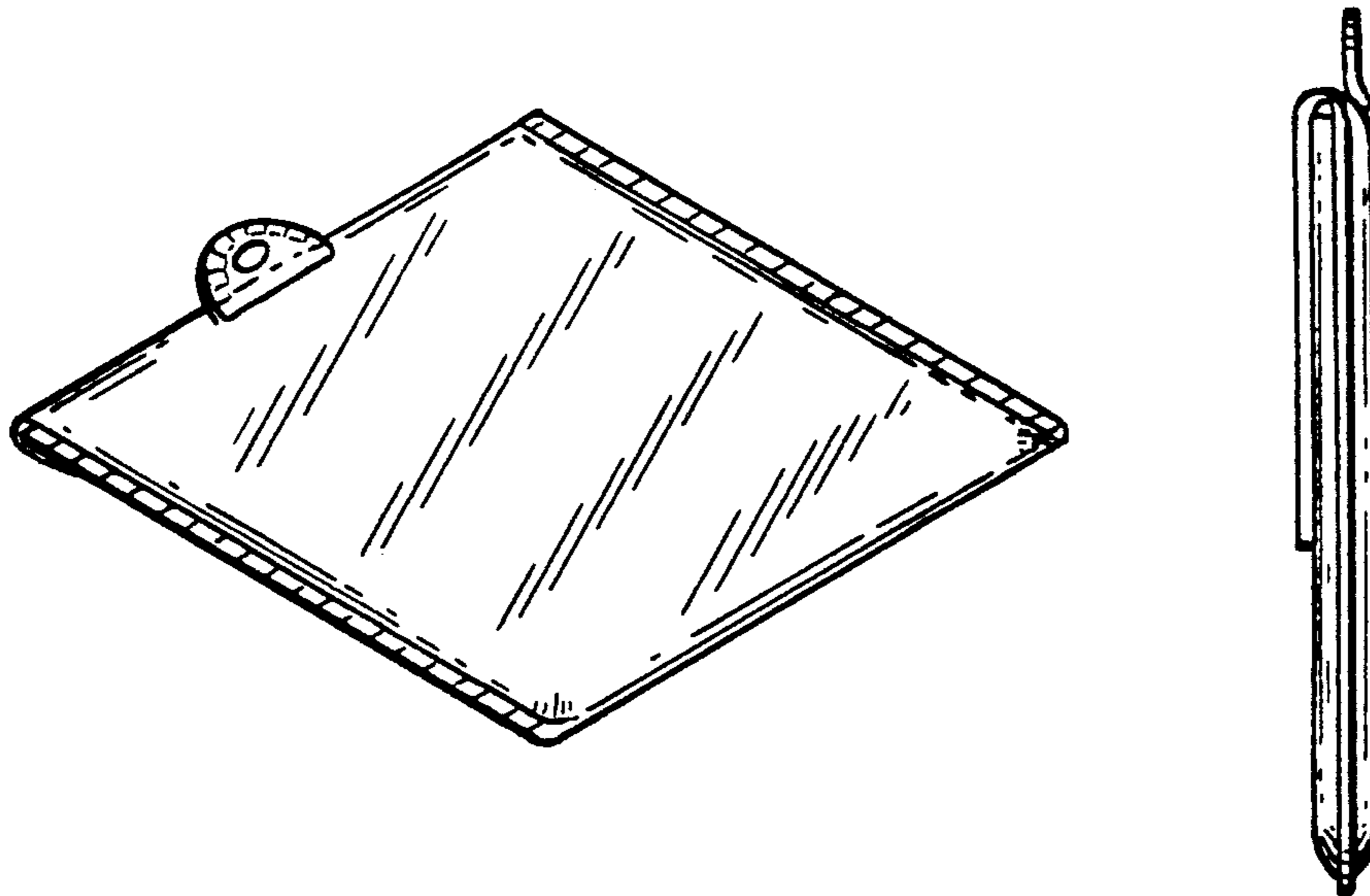
DESCRIPTION

FIG. 1 is an isometric view of a transparent package for an inflatable pillow showing my new design; FIG. 2 is a front elevational view thereof; FIG. 3 is a top end view thereof; FIG. 4 is a left side elevational view thereof, the undisclosed opposite side being a mirror image; FIG. 5 is a rear elevational view thereof; and, FIG. 6 is a bottom end view thereof. The broken line showing of a bath pillow is for illustrative purposes only and forms no part of the claimed design.

[56] References Cited

U.S. PATENT DOCUMENTS

D. 170,254	8/1953	Bookler	D9/305
D. 174,224	3/1955	Flanagin	D6/601
D. 271,266	11/1983	Thom	D6/595
D. 290,582	6/1987	Angerman	D9/415 X
D. 293,754	1/1988	Howell	D6/595
D. 298,716	11/1988	Kaplan	D6/601
D. 306,256	2/1990	Hsu	D9/305
D. 307,715	5/1990	Kindler	D9/415
D. 315,095	3/1991	Wright	D9/415 X



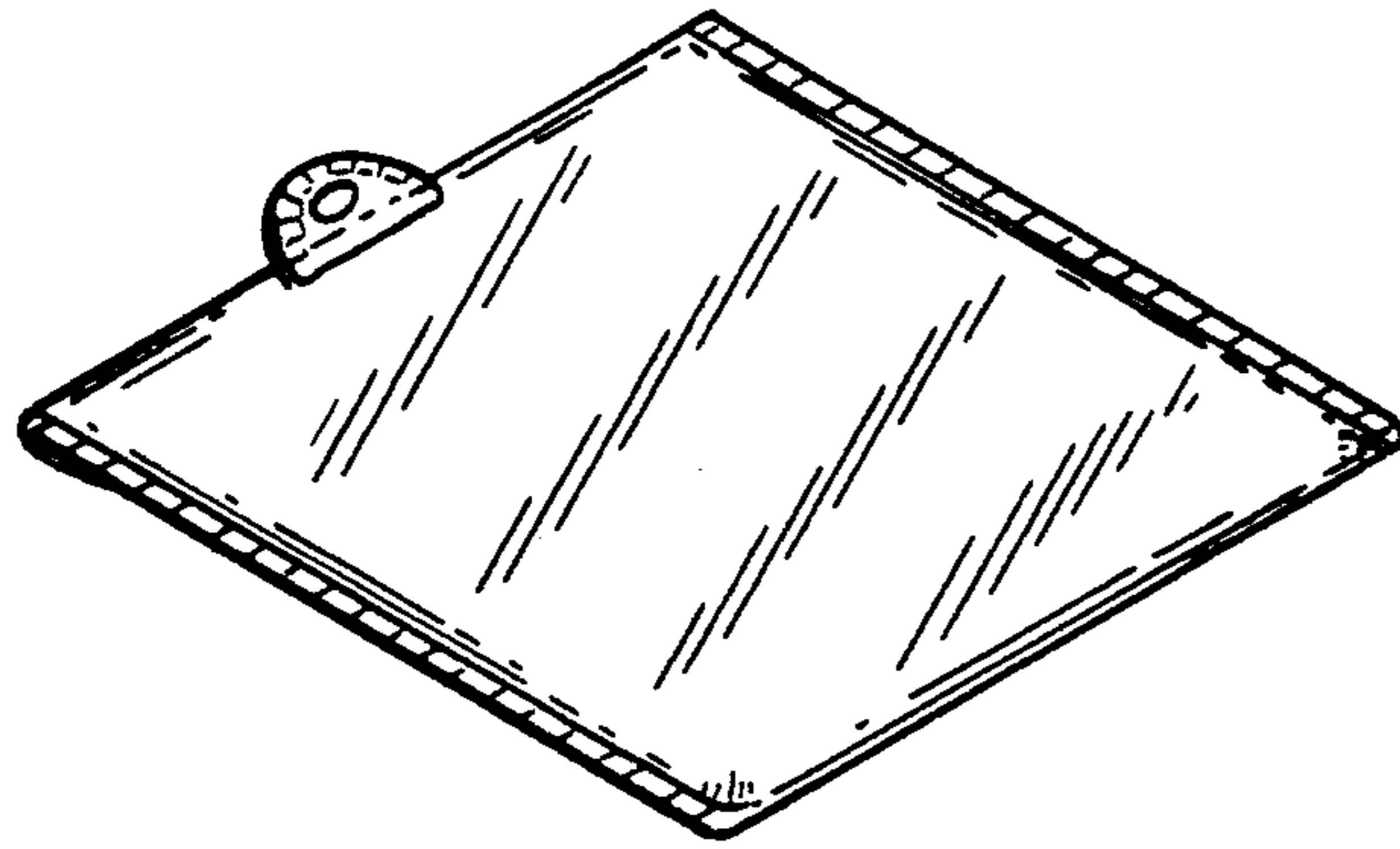


FIG. 1



FIG. 4



FIG. 3

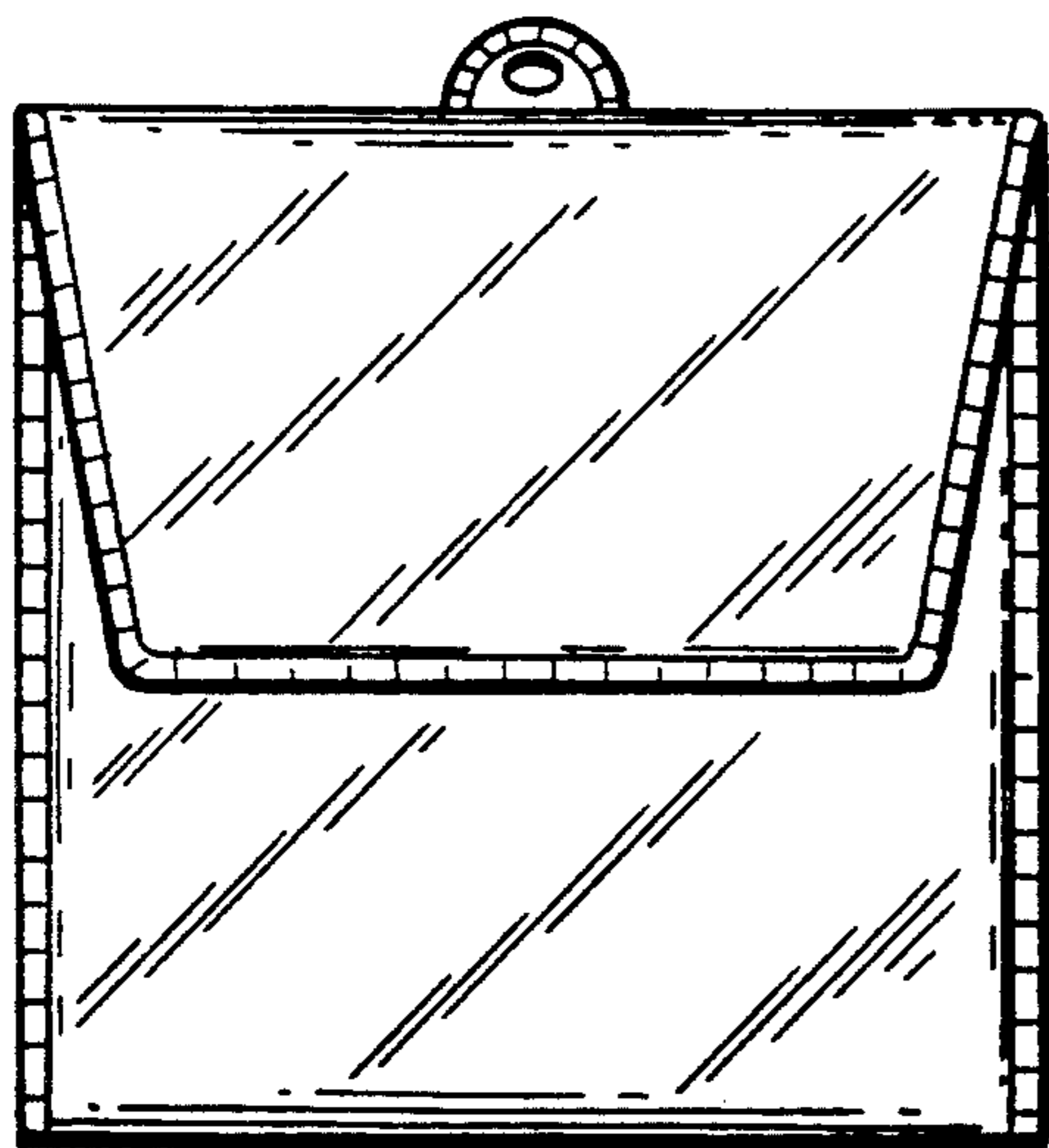


FIG. 5

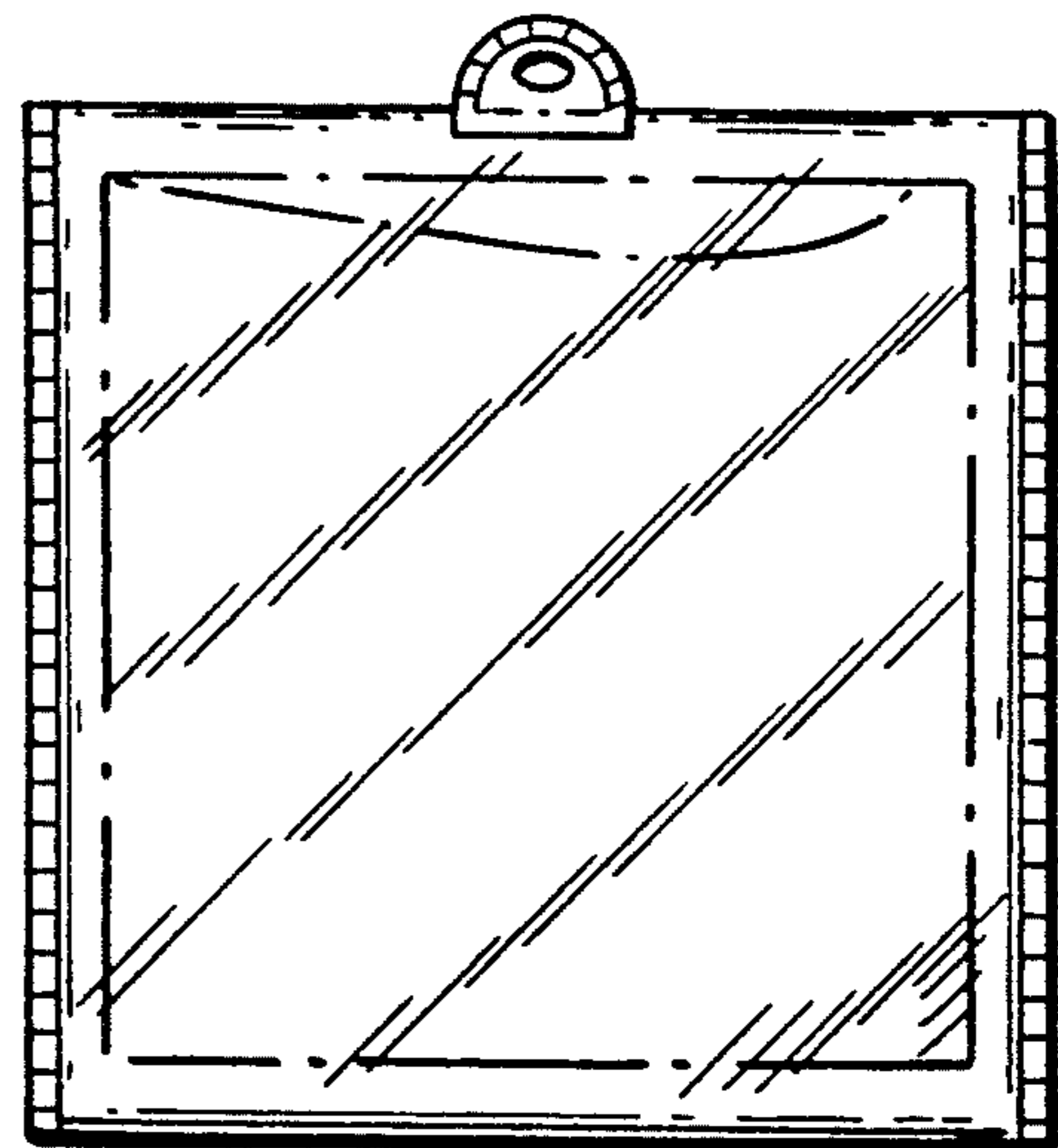


FIG. 2



FIG. 6