



US00D347782S

United States Patent [19]

Wentzel

[11] Patent Number: **Des. 347,782**

[45] Date of Patent: **** Jun. 14, 1994**

[54] **CABLE MOUNT**

4,676,470 6/1987 Okura 248/341

[75] Inventor: **Charles R. Wentzel, Beecher, Ill.**

[73] Assignee: **Panduit Corp., Tinley Park, Ill.**

[**] Term: **14 Years**

[21] Appl. No.: **2,319**

[22] Filed: **Nov. 10, 1992**

[52] U.S. Cl. **D8/356; D8/354**

[58] Field of Search **D8/358, 349; 248/74.3, 248/74, 484, 341, 499, 205.3; 410/101; 24/30.5, 16 PB, 198**

OTHER PUBLICATIONS

Thomas & Betts catalog p. B61 undated.
Dennison catalog p. nos. 822 D25 1283 and 14 undated.
Tyton catalog p. 11 undated.
Panduit catalog pp. B12 and B13 undated.

Primary Examiner—James M. Gandy
Assistant Examiner—Holly H. Baynham
Attorney, Agent, or Firm—Charles R. Wentzel; Mark D. Hilliard; Robert A. McCann

[57] CLAIM

The ornamental design for a cable mount, as shown and described.

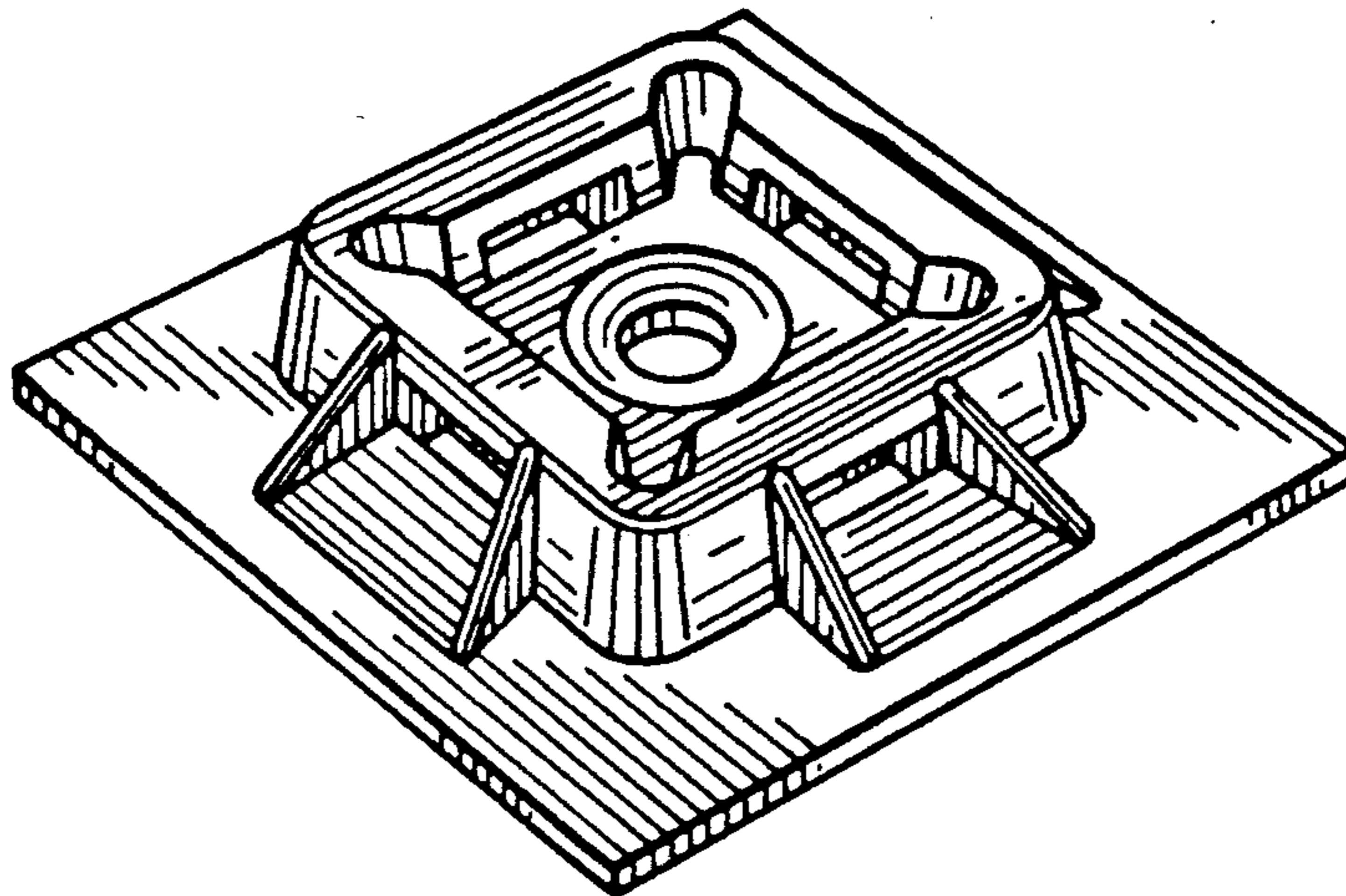
[56] References Cited

U.S. PATENT DOCUMENTS

| | | | |
|------------|---------|-----------------|-----------|
| D. 285,286 | 8/1986 | Sharpe | D8/354 X |
| D. 298,604 | 11/1988 | Newton | D8/354 X |
| D. 316,511 | 4/1991 | White, Jr. | D8/356 X |
| 3,454,249 | 7/1969 | Geisinger | 248/205.3 |
| 3,632,071 | 1/1972 | Cameron | 248/743 |
| 3,913,876 | 10/1975 | McSherry | 248/484 |
| 4,488,333 | 12/1984 | Tracy | 24/198 |

DESCRIPTION

FIG. 1 is a perspective view of the cable mount showing my new design;
FIG. 2 is a top plan view thereof;
FIG. 3 is a side elevational view thereof with the remaining sides being mirror images thereof; and,
FIG. 4 is a bottom plan view thereof.



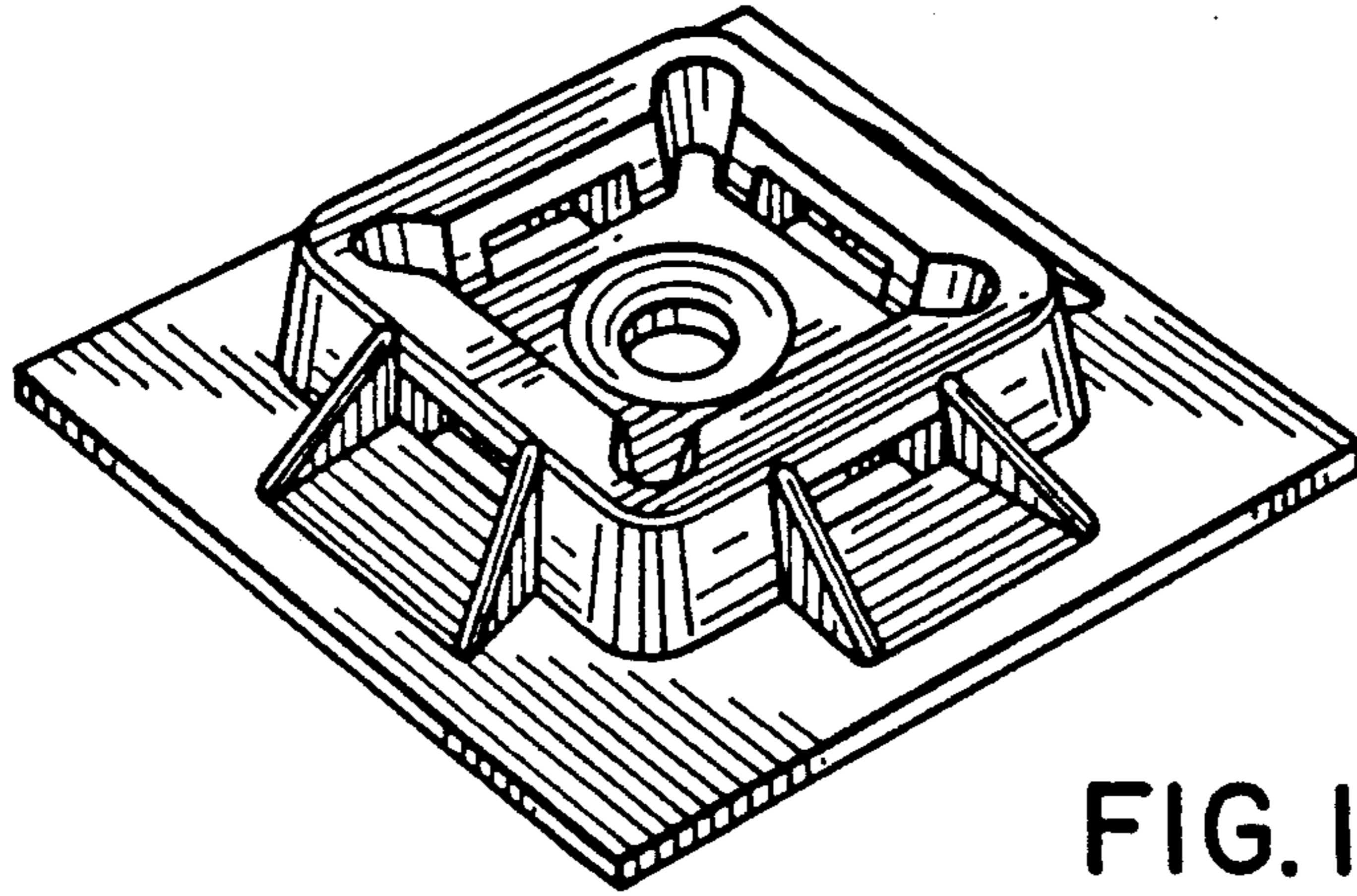


FIG. 1

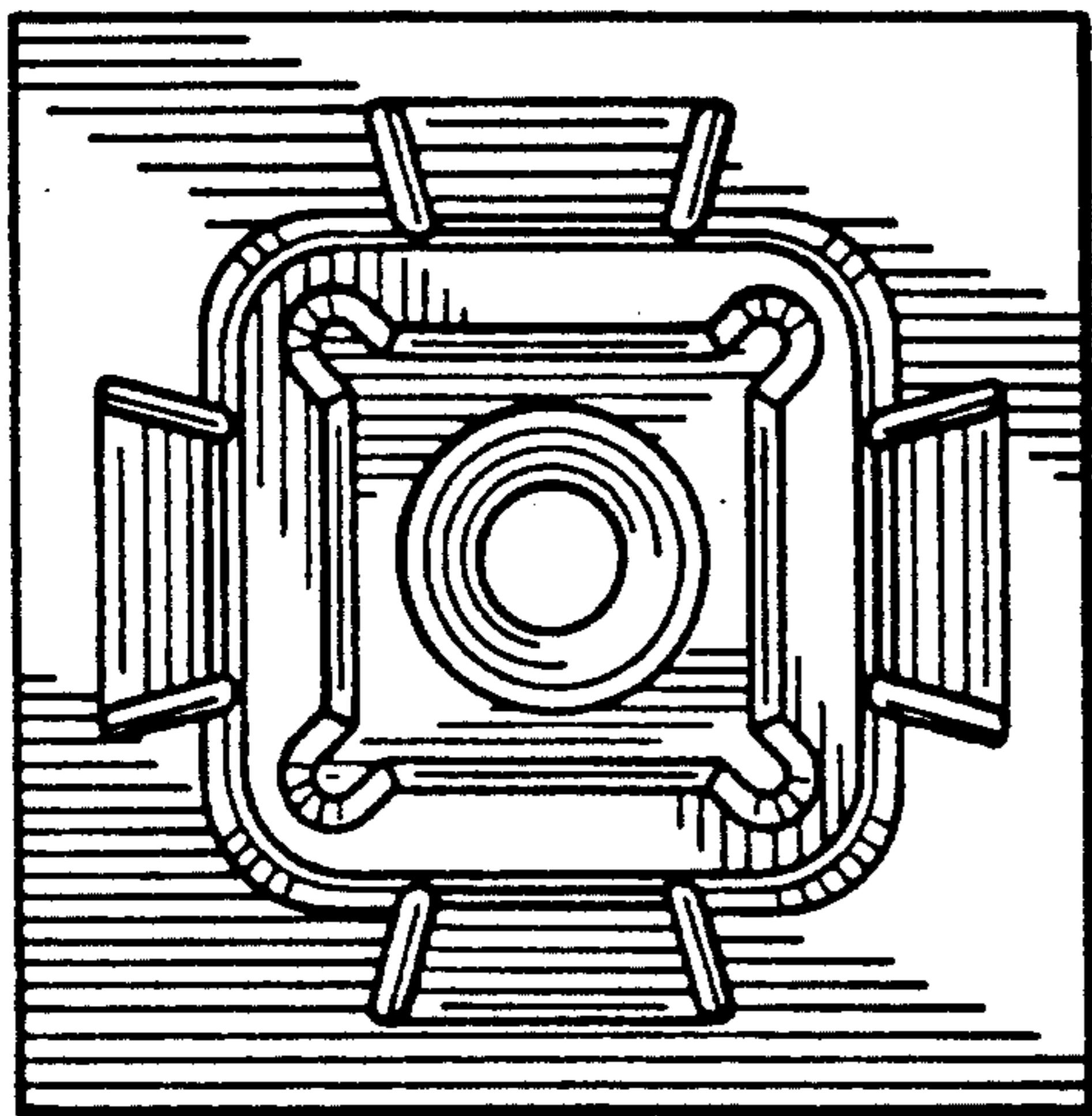


FIG. 2



FIG. 3

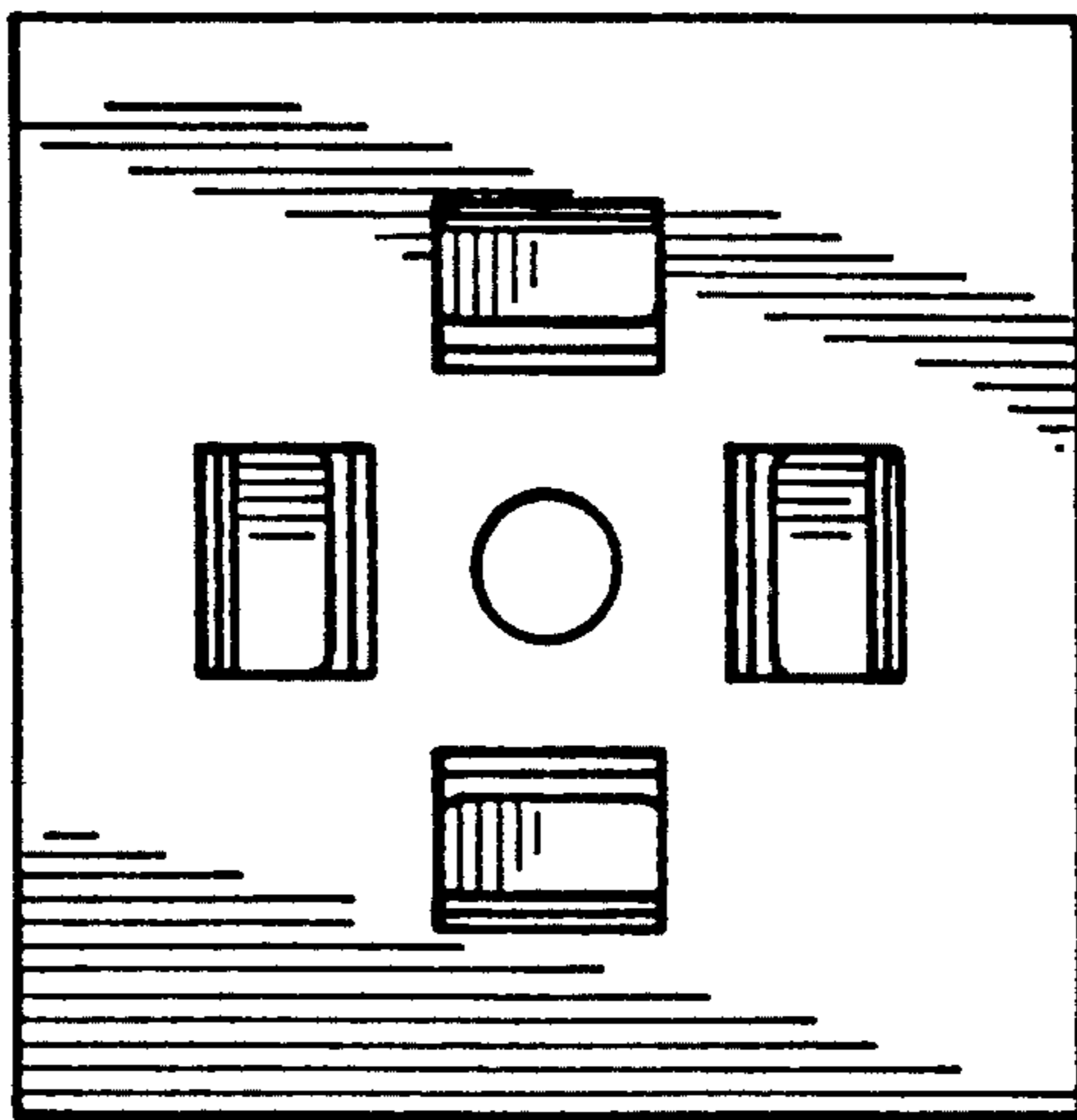


FIG. 4