



US00D347779S

United States Patent [19]

[11] Patent Number: **Des. 347,779**

Boniche

[45] Date of Patent: **** Jun. 14, 1994**

[54] **PORTABLE LOG NUT WRENCH**

[76] Inventor: **David Boniche, 14 W. 16th St., Bayonne, N.J. 07002**

[**] Term: **14 Years**

[21] Appl. No.: **556**

[22] Filed: **Oct. 19, 1992**

[52] U.S. Cl. **D8/68; D8/67**

[58] Field of Search **D8/61, 68, 67; 81/54, 81/57.11, 57.13; 173/170, 48, 90, 91, 92, 93.7; 408/124, 125**

3,432,703 3/1969 Sheps 408/14
3,884,592 5/1975 Shulters 408/14
4,604,005 8/1986 Russ 408/35

Primary Examiner—Alan P. Douglas
Assistant Examiner—Jeffry H. Musgrove
Attorney, Agent, or Firm—Terry M. Gernstein

[57] **CLAIM**

The ornamental design for a portable lug nut wrench, as shown and described.

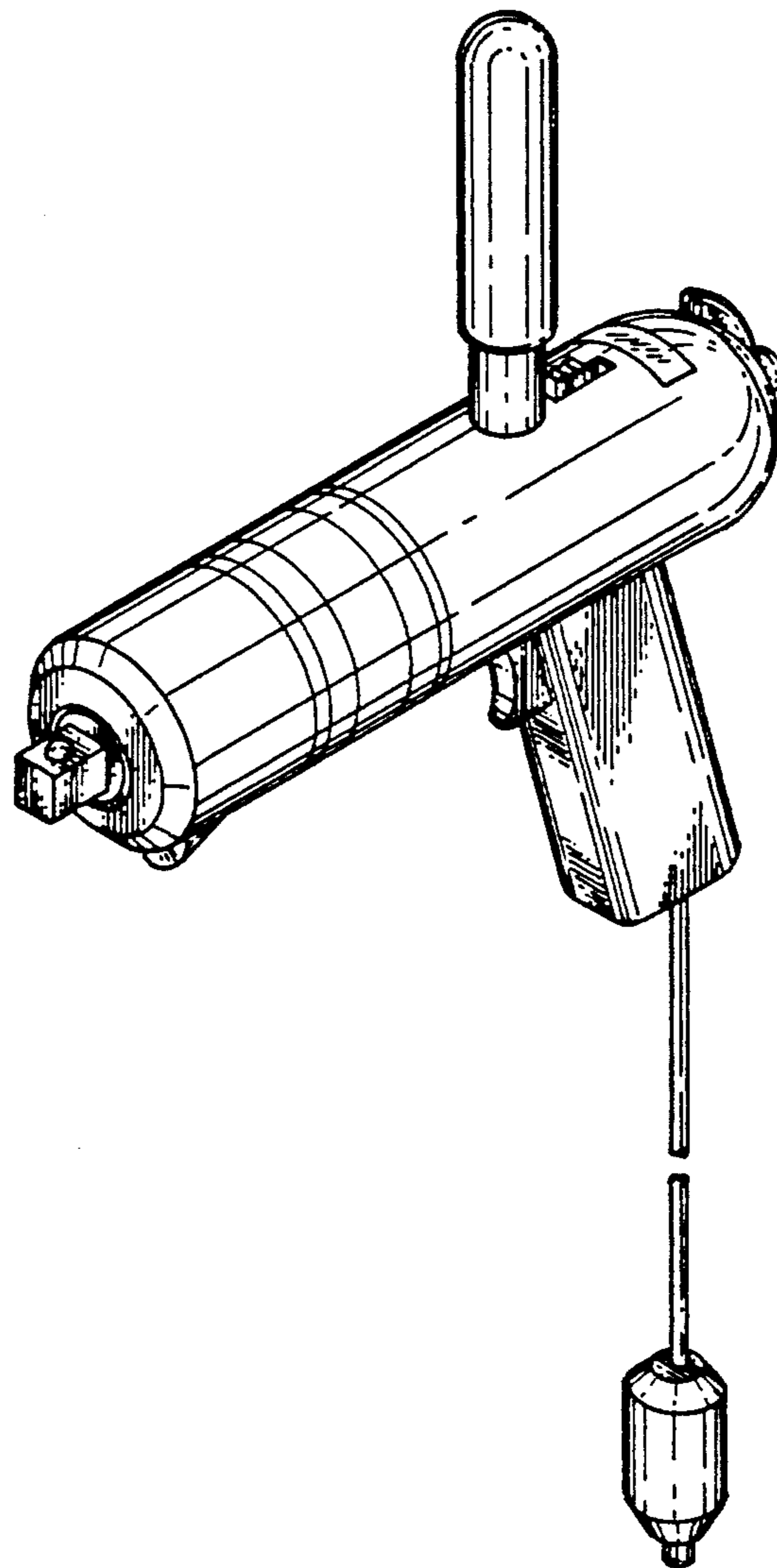
DESCRIPTION

FIG. 1 is a perspective view of the portable lug nut wrench showing my new design; FIG. 2 is a front elevational view thereof; FIG. 3 is a rear elevational view thereof; FIG. 4 is a side elevational view thereof, the side opposite being a mirror image of the side shown in FIG. 4; FIG. 5 is a top plan view thereof; and, FIG. 6 is a bottom plan view thereof.

[56] **References Cited**

U.S. PATENT DOCUMENTS

D. 295,714	5/1988	Sasaki et al.	D8/68
D. 327,620	7/1992	Fisher	D8/68
D. 329,580	9/1992	Sasaki et al.	D8/68
D. 335,073	4/1993	Anthony et al.	D8/68
D. 340,394	10/1993	Okumura	D8/68



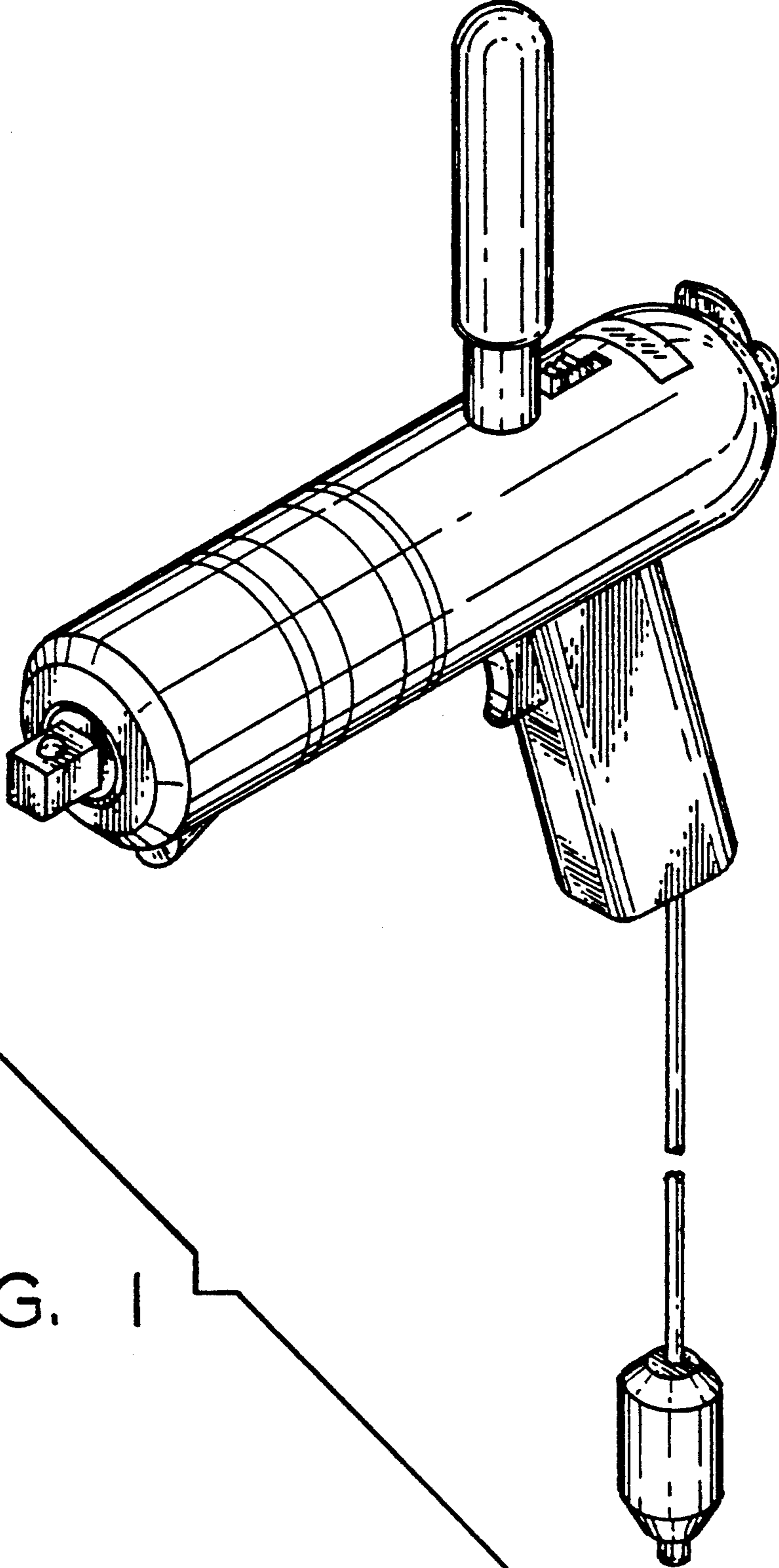
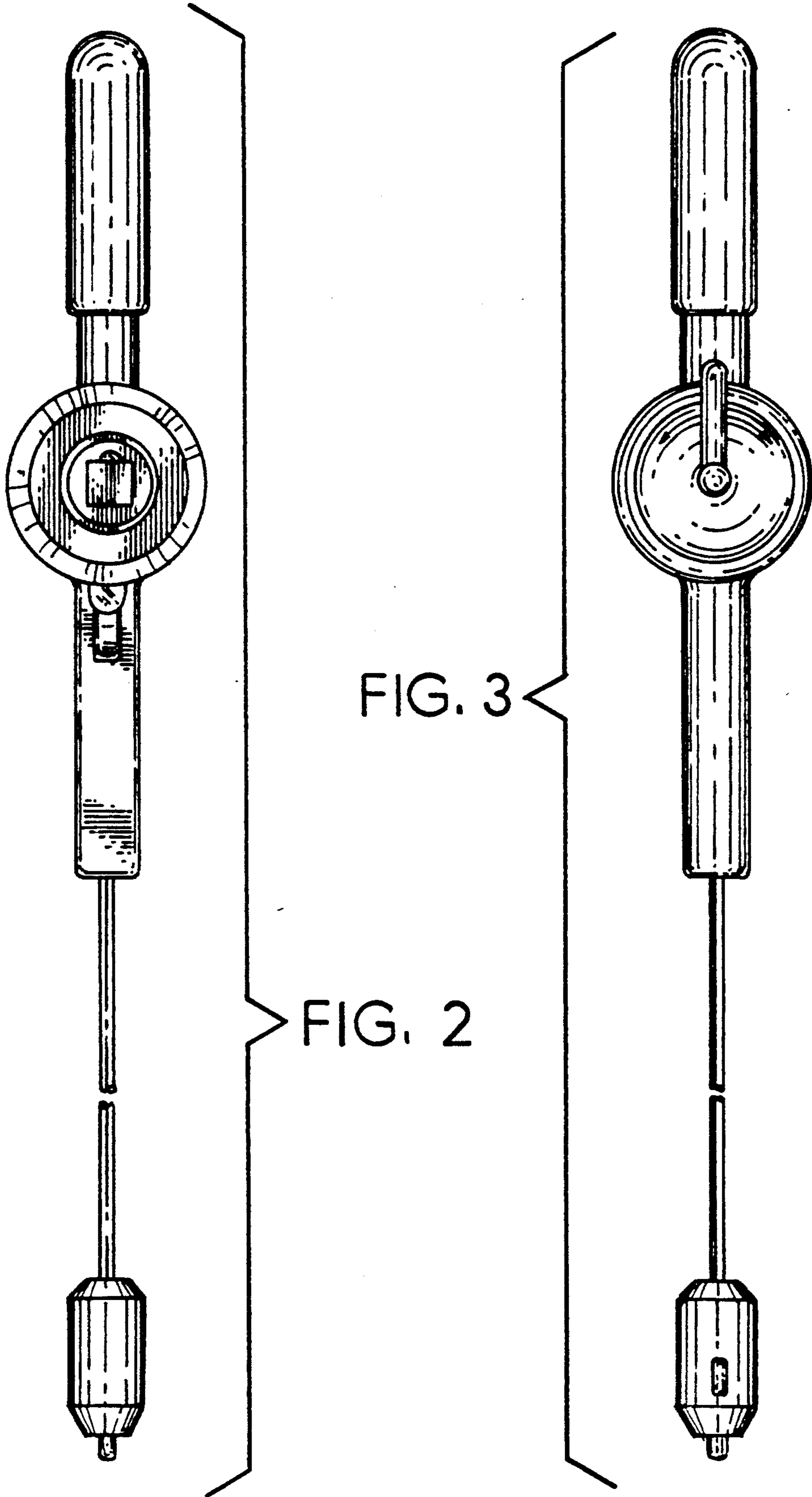


FIG. 1



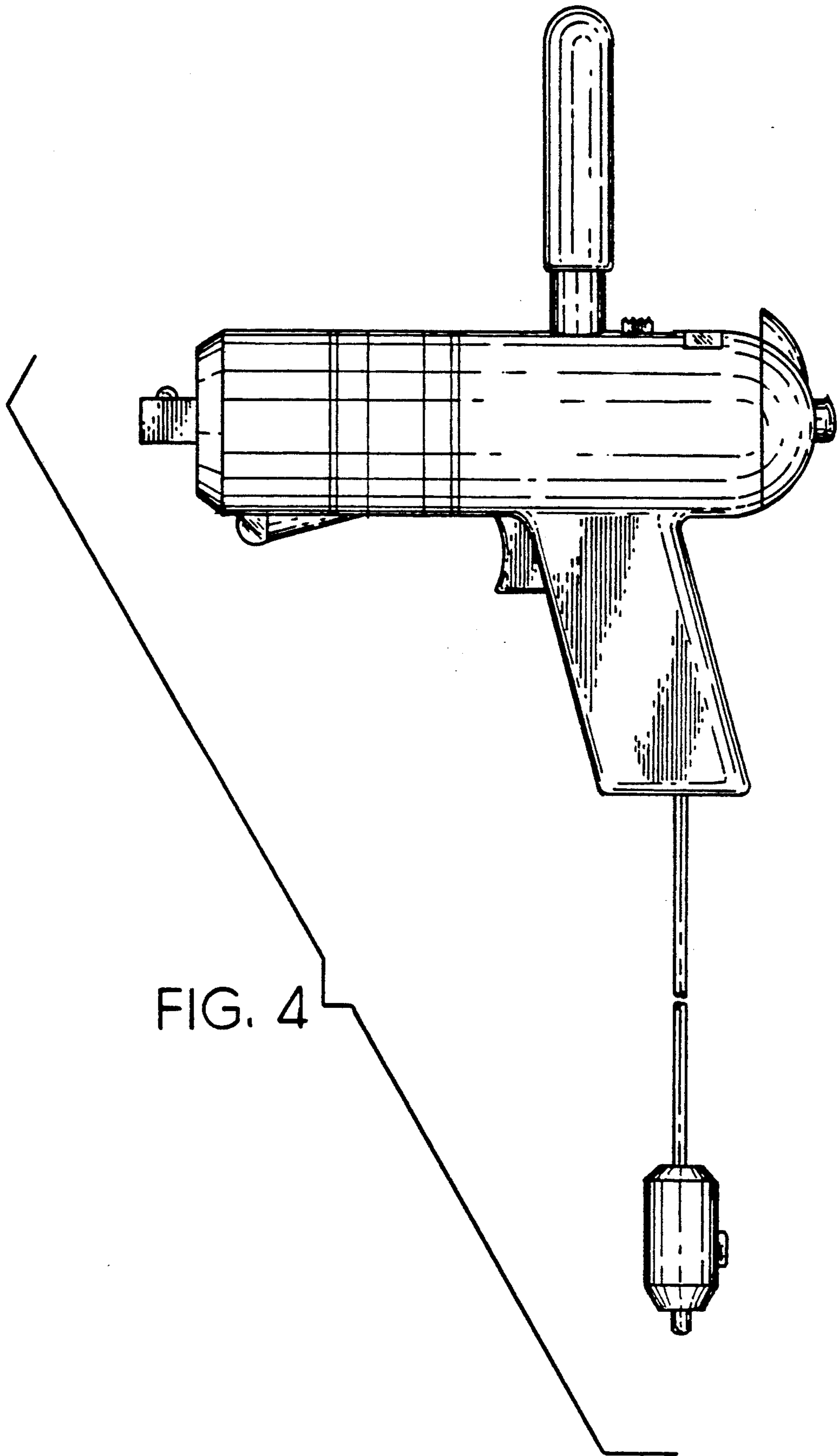


FIG. 4

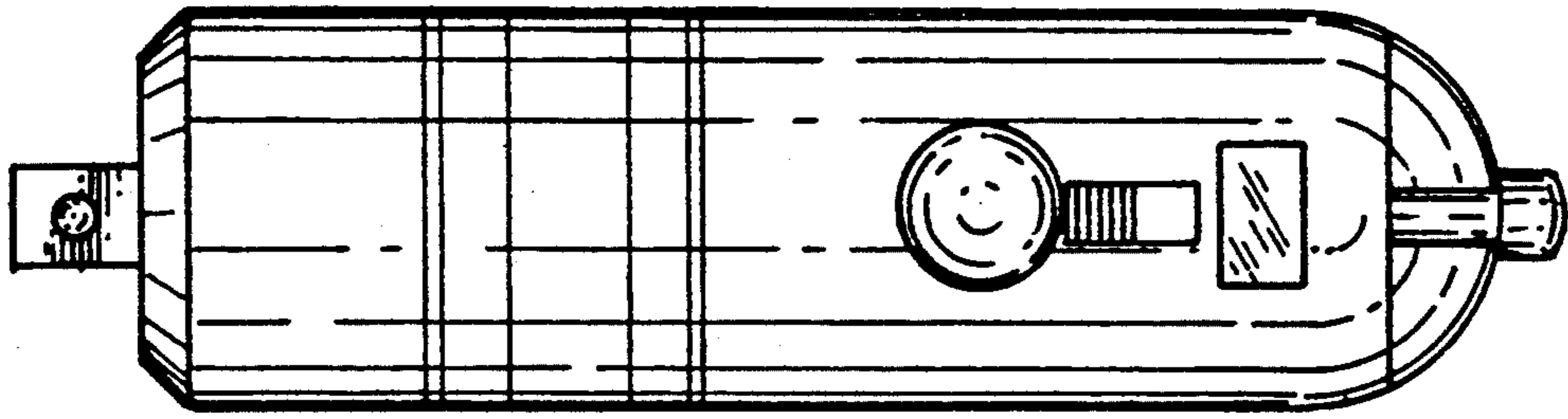


FIG. 5

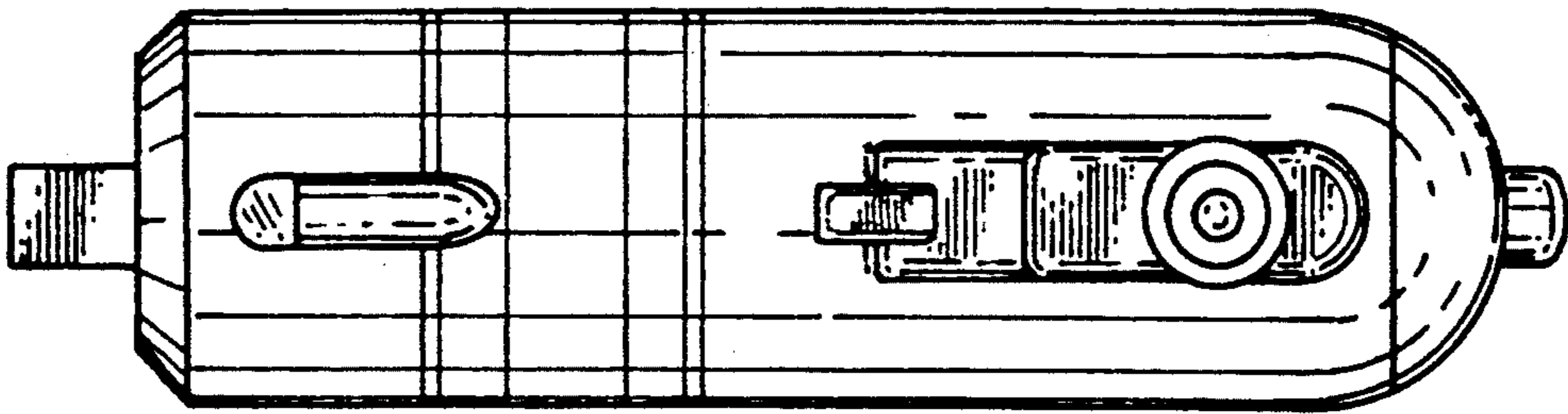


FIG. 6