



US00D347778S

United States Patent [19]

[11] Patent Number: **Des. 347,778**

Clowers et al.

[45] Date of Patent: **** Jun. 14, 1994**

[54] SANDER

[57] CLAIM

[75] Inventors: **Earl R. Clowers; Matthew G. Popik; Dennis C. Huntsman**, all of Jackson, Tenn.

The ornamental design for a sander, as shown herein.

[73] Assignee: **Porter-Cable Corporation**, Jackson, Tenn.

DESCRIPTION

[**] Term: **14 Years**

FIG. 1 is a front and top left perspective view of a first embodiment of a sander;

[21] Appl. No.: **3,958**

FIG. 2 is a front elevational view of the sander shown in FIG. 1;

[22] Filed: **Jan. 22, 1993**

FIG. 3 is a rear elevational view of the sander shown in FIG. 1;

[52] U.S. Cl. **D8/62**

FIG. 4 is a right side elevational view of the sander shown in FIG. 1;

[58] Field of Search **D8/61, 62; 51/170 R, 51/170 T, 170 TL, 170 MT, 273; D32/19**

FIG. 5 is a left side elevational view of the sander shown in FIG. 1;

FIG. 6 is a top plan view of the sander shown in FIG. 1;

[56] References Cited

U.S. PATENT DOCUMENTS

D. 269,845	7/1983	Hutchins	D8/62
D. 332,734	1/1993	Fushiya et al.	D8/62
4,531,329	7/1985	Huber	51/170 R
4,671,020	6/1987	Hutchins	51/273 X
4,839,995	6/1989	Hutchins	51/273 X
5,228,244	7/1993	Chu	51/170 R

FIG. 7 is a bottom plan view of the sander shown in FIG. 1;

FIG. 8 is a front and top left perspective view of a second embodiment of a sander;

FIG. 9 is a front elevational view of the sander shown in FIG. 8;

FIG. 10 is a rear elevational view of the sander shown in FIG. 8;

FIG. 11 is a right side elevational view of the sander shown in FIG. 8;

FIG. 12 is a left side elevational view of the sander shown in FIG. 8;

FIG. 13 is a top plan view of the sander shown in FIG. 8; and,

FIG. 14 is a bottom plan view of the sander shown in FIG. 8.

Primary Examiner—Alan P. Douglas
Assistant Examiner—Jeffry Musgrove
Attorney, Agent, or Firm—Merchant, Gould, Smith, Edell, Welter & Schmidt

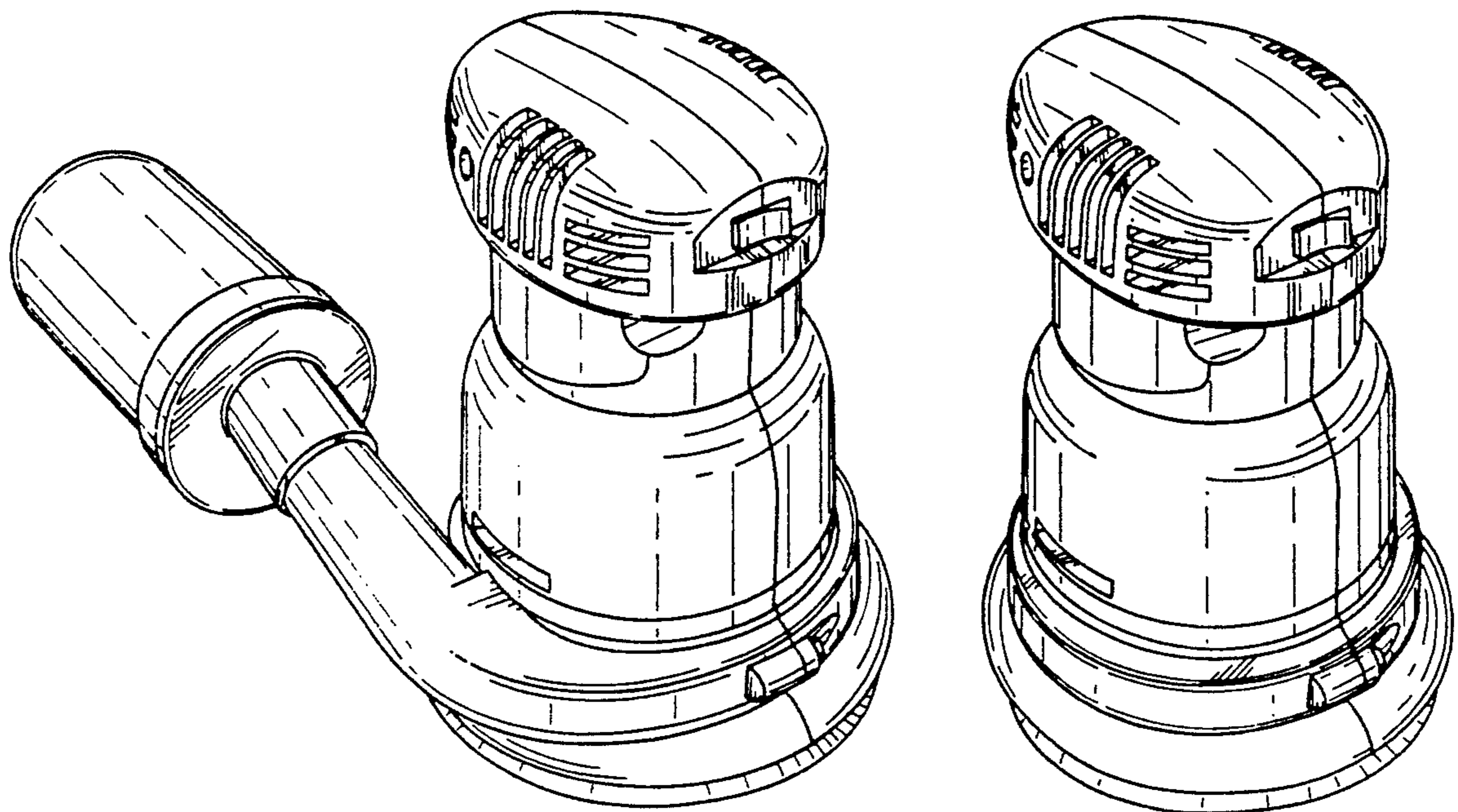


FIG. 1

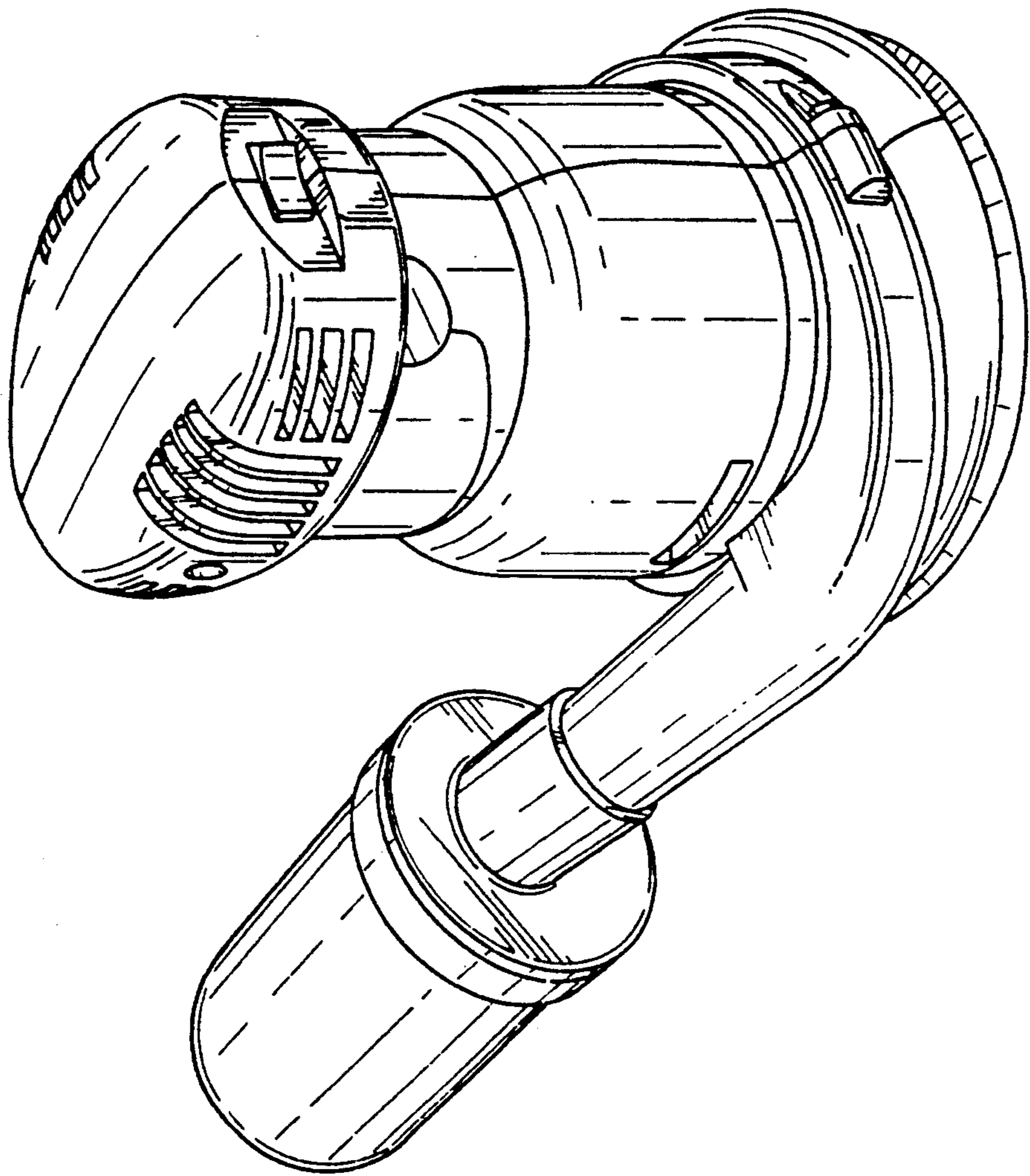


FIG. 2

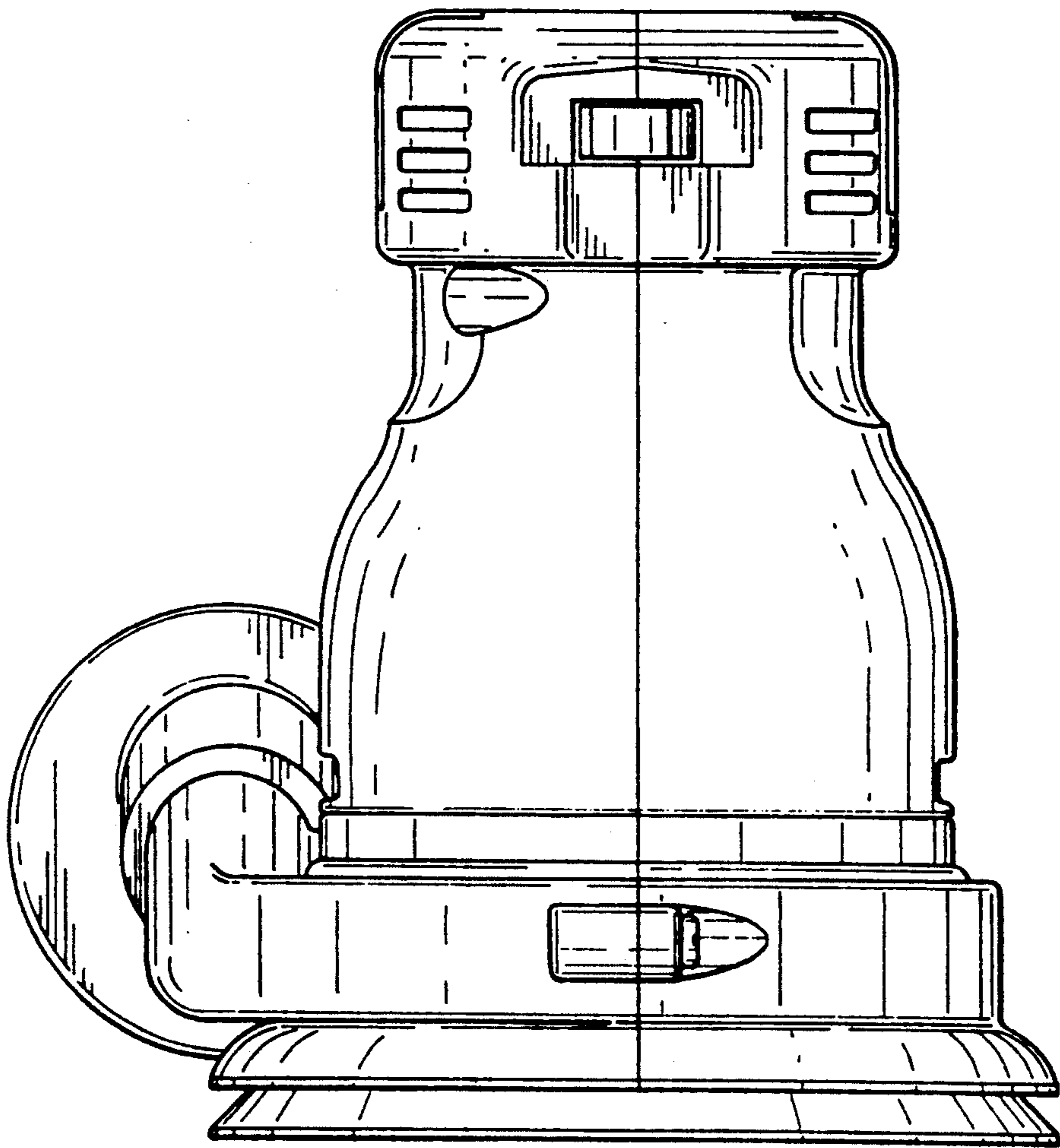


FIG. 3

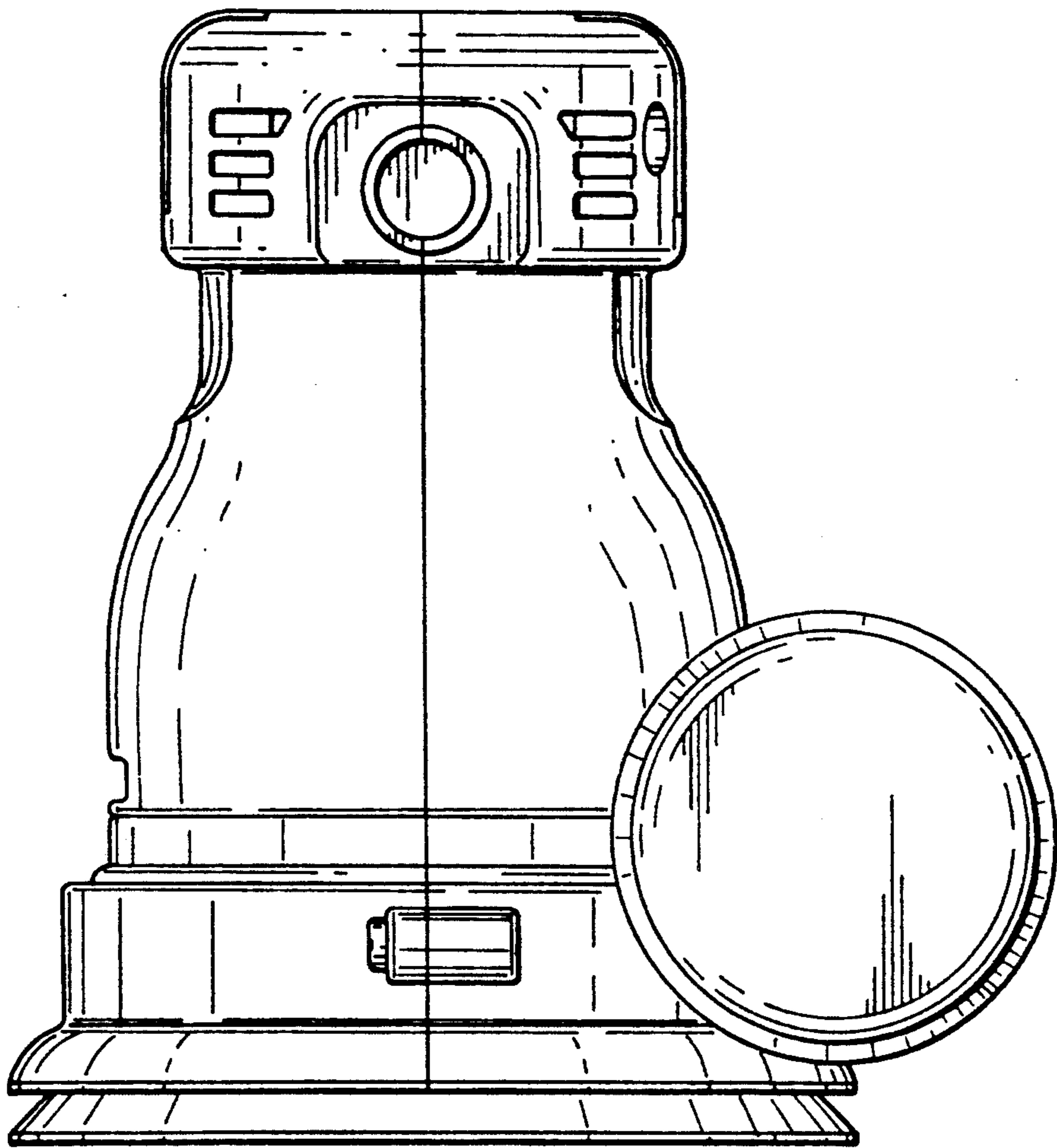
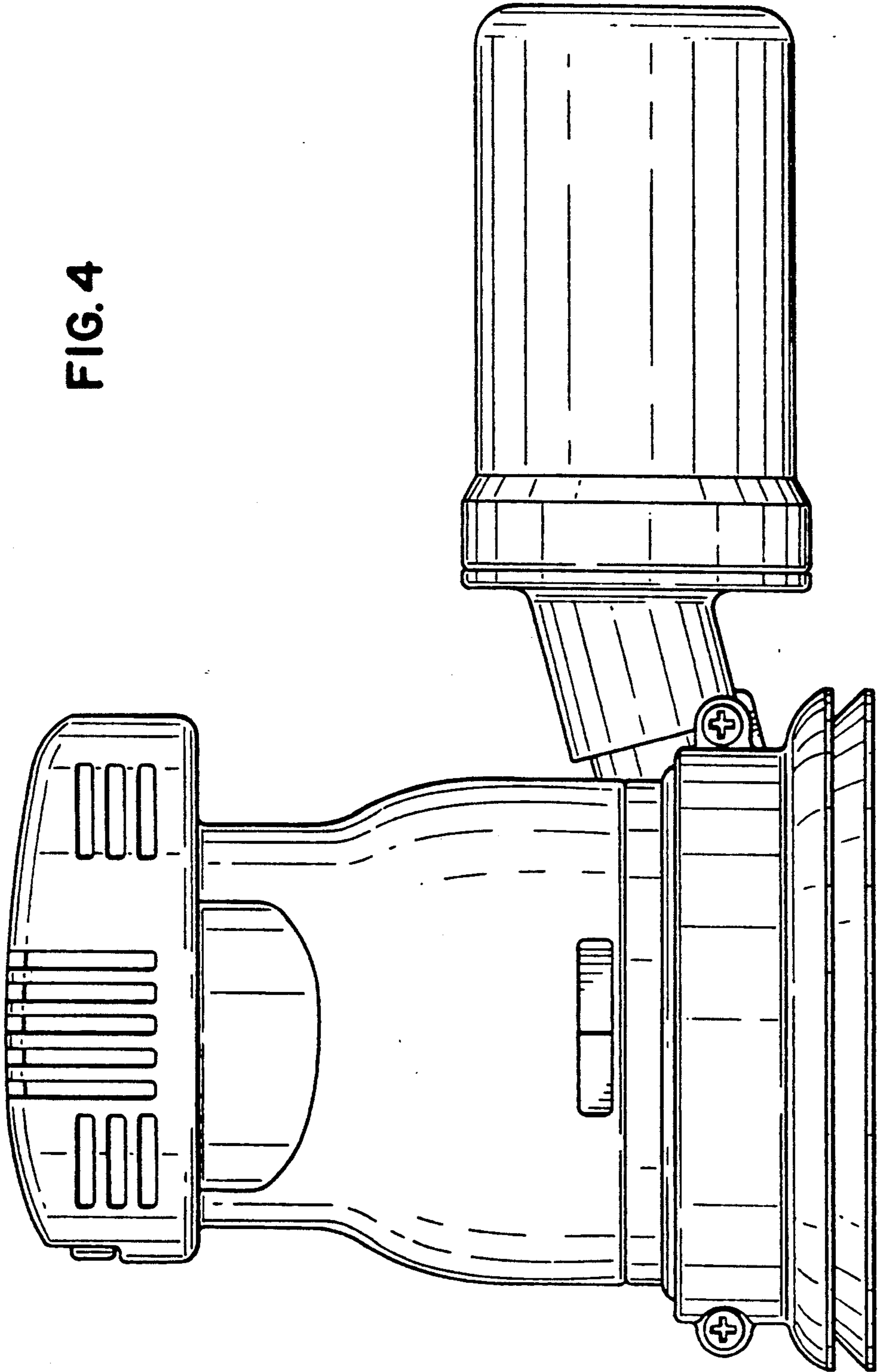


FIG. 4



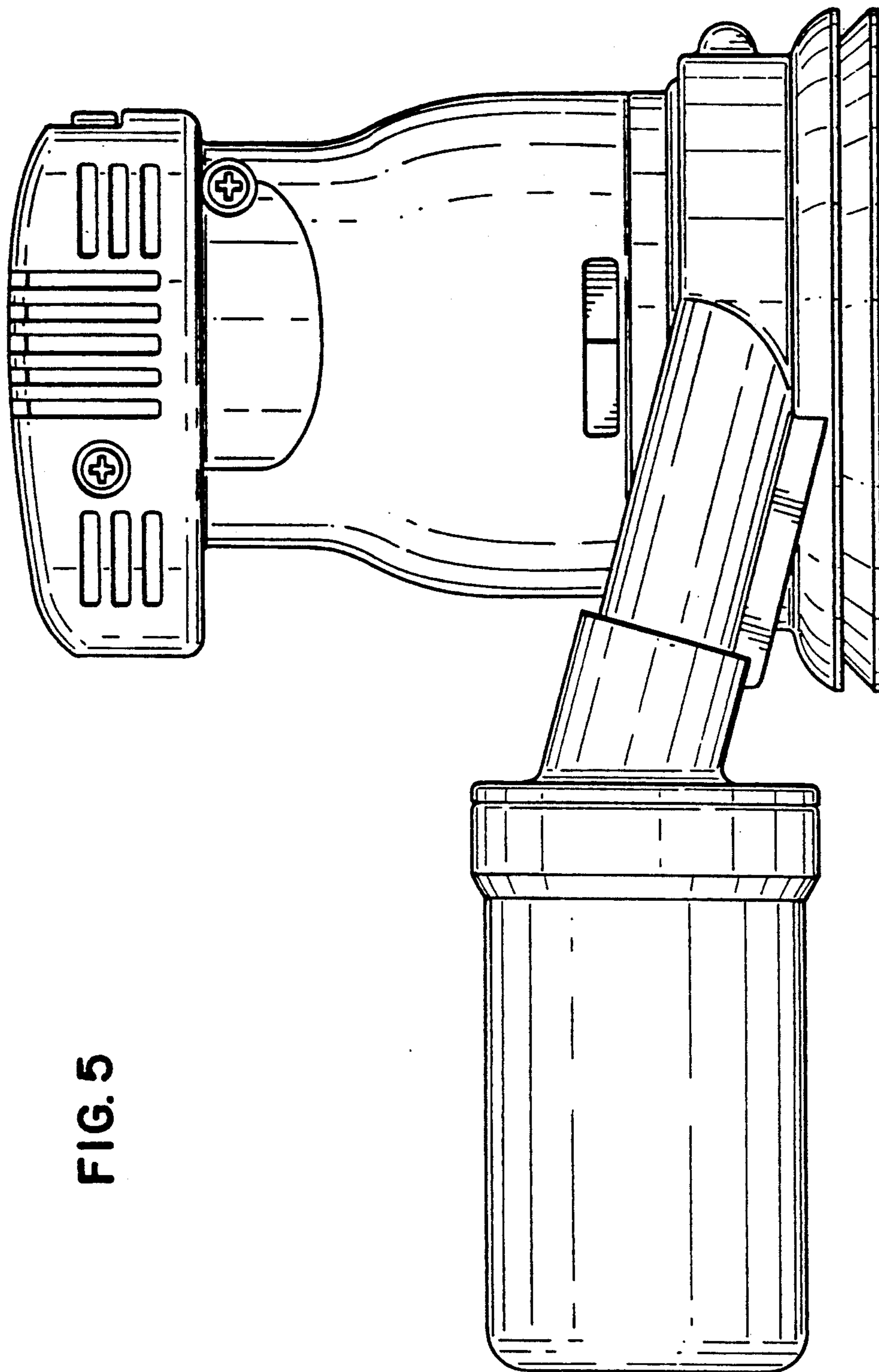


FIG. 5

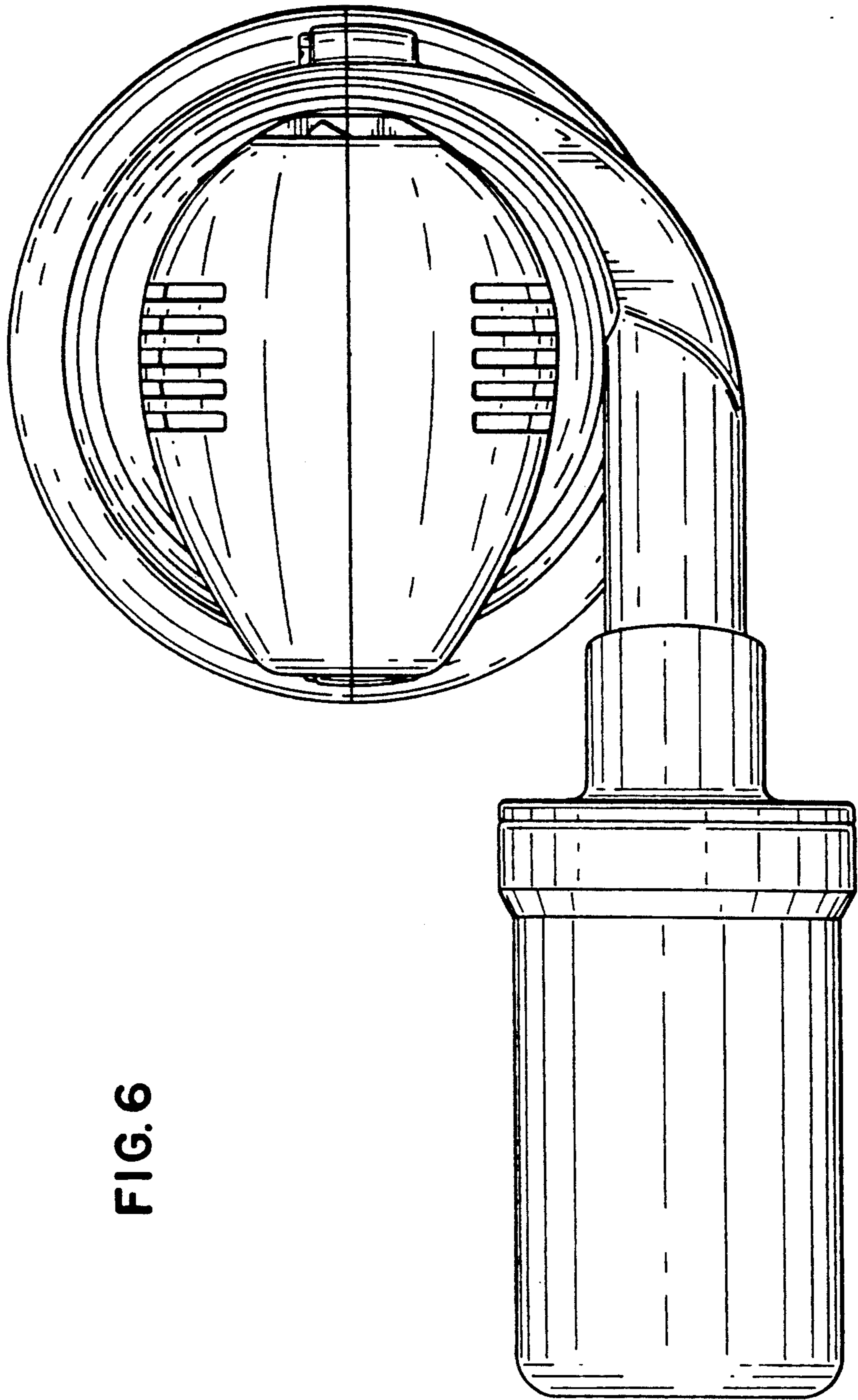


FIG. 6

FIG. 7

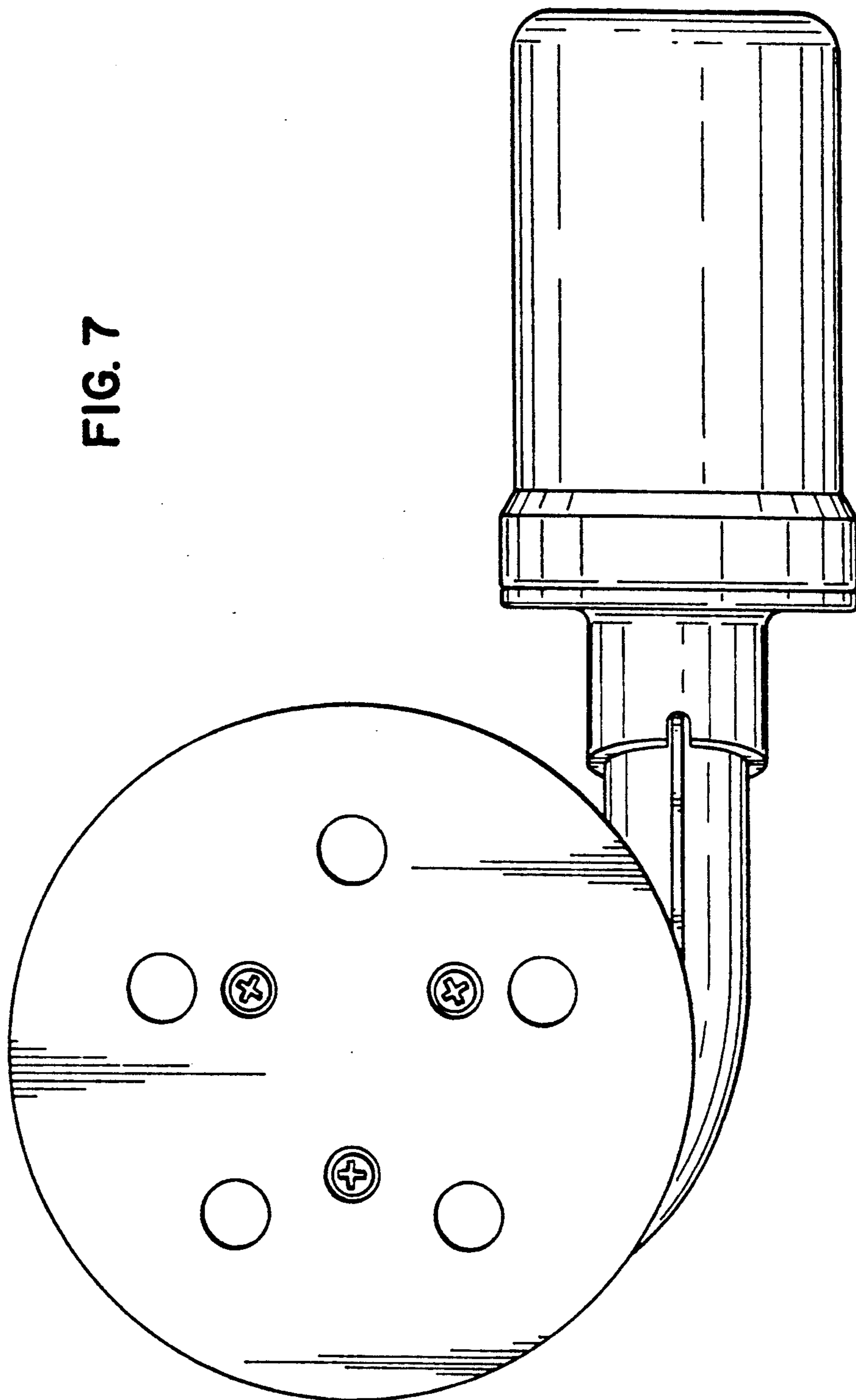
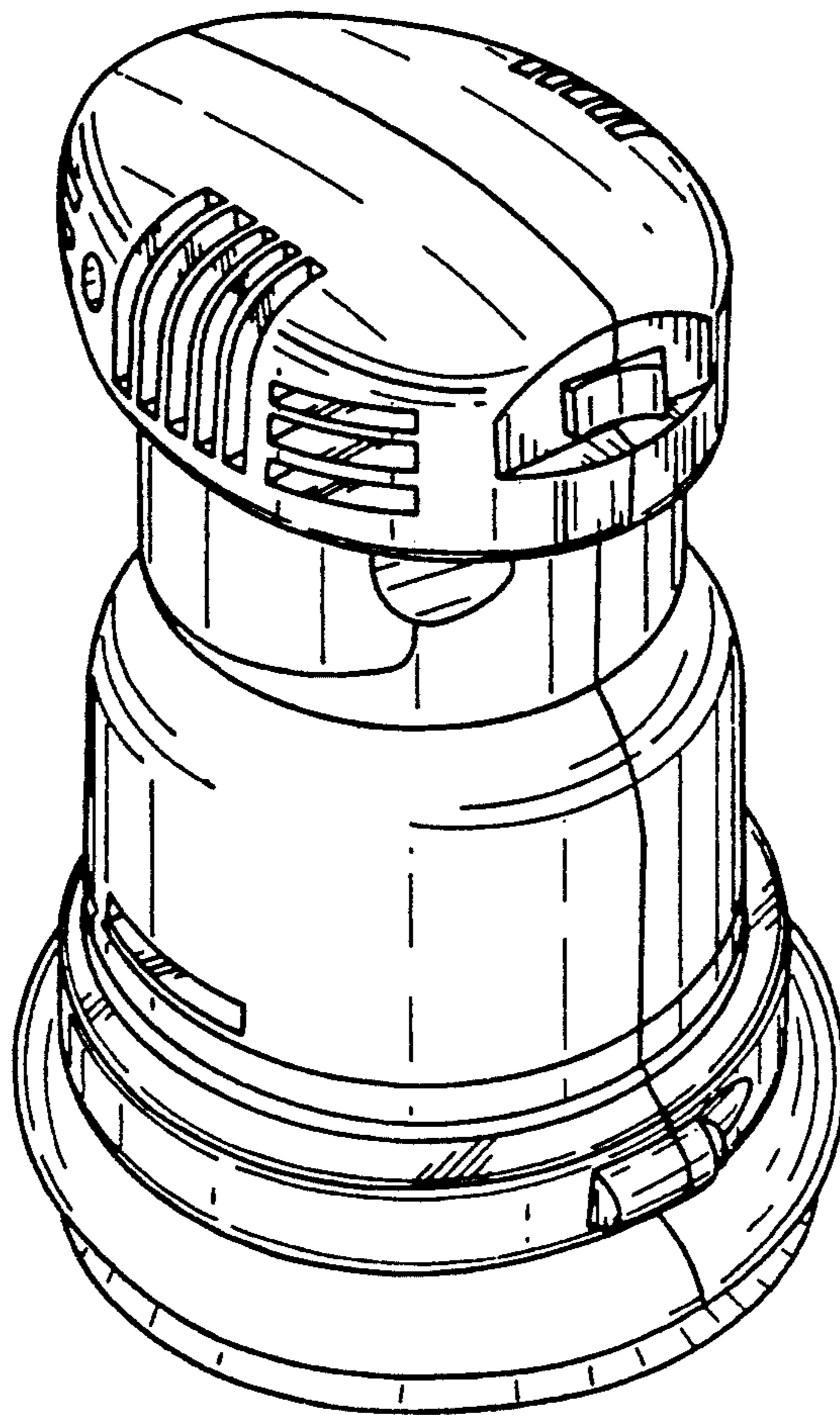


FIG. 8



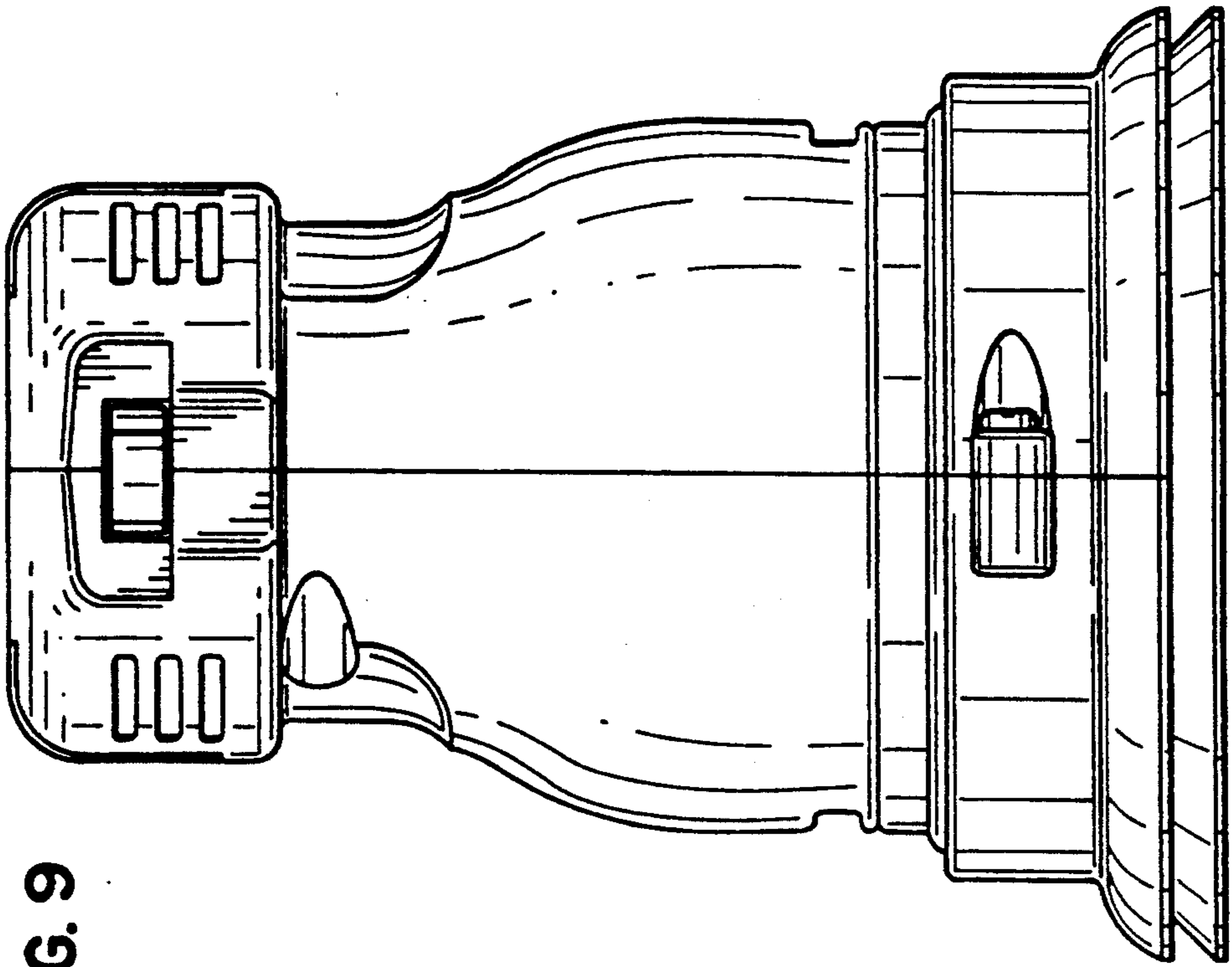


FIG. 9

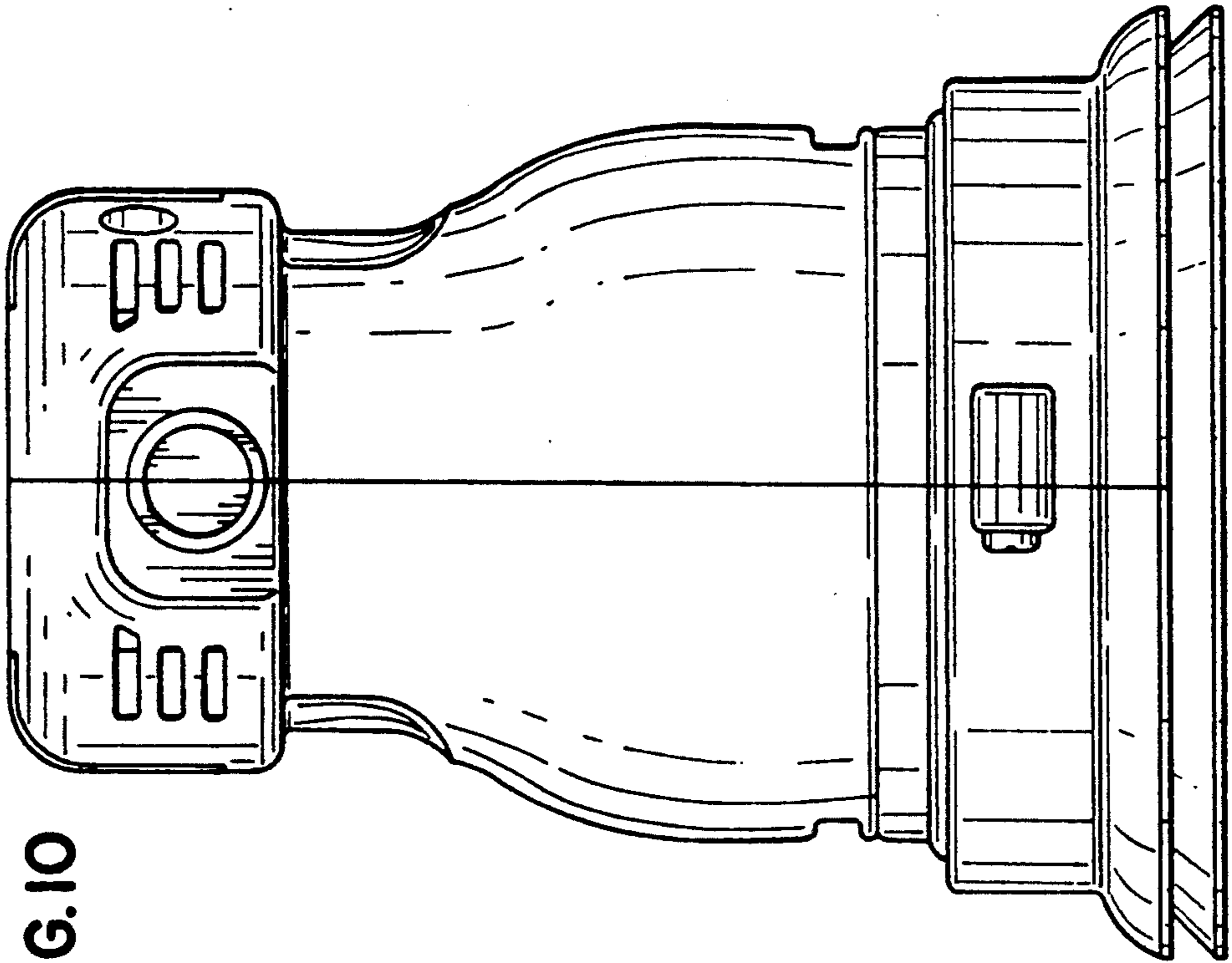


FIG. 10

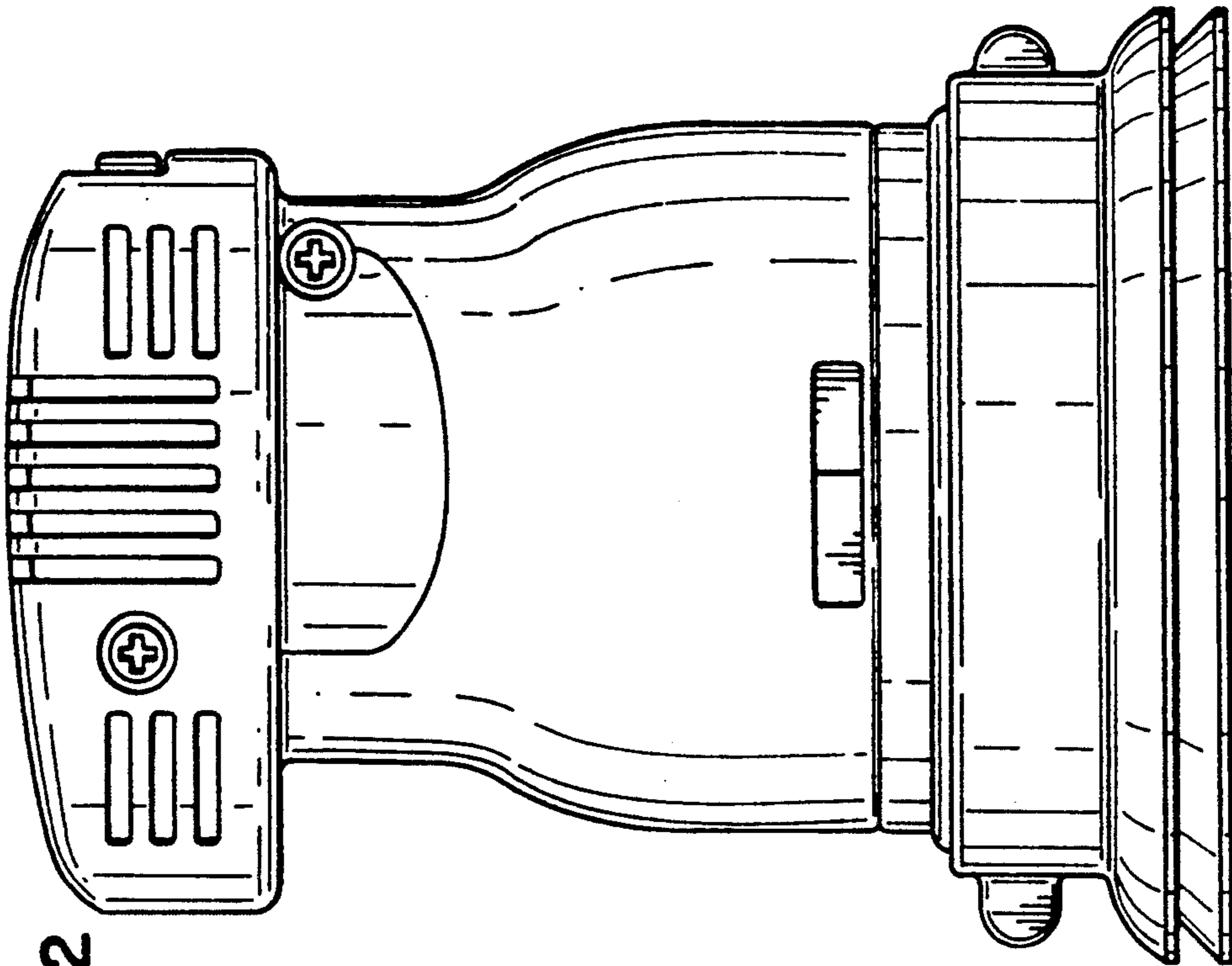


FIG. 12

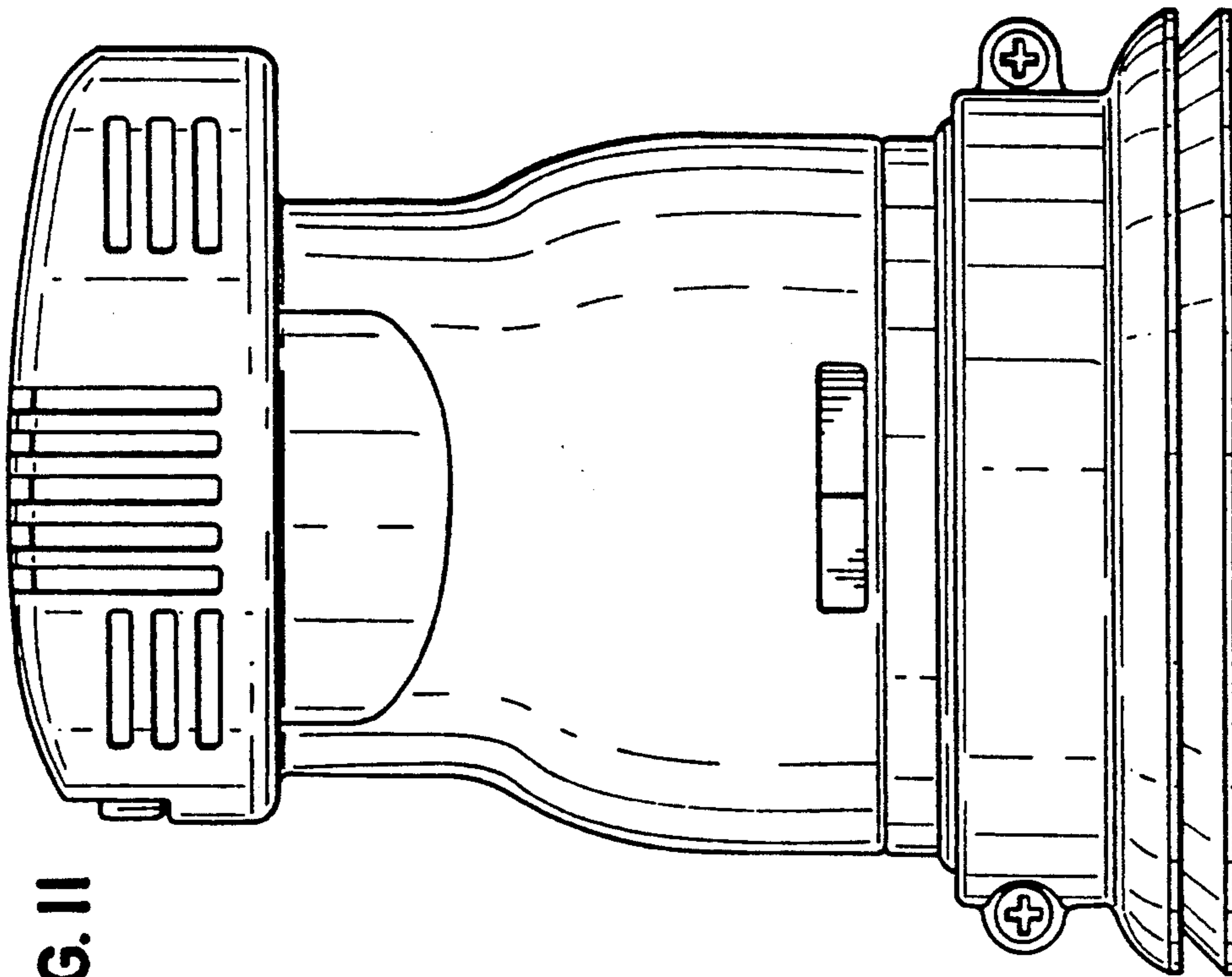


FIG. 11

FIG. 13

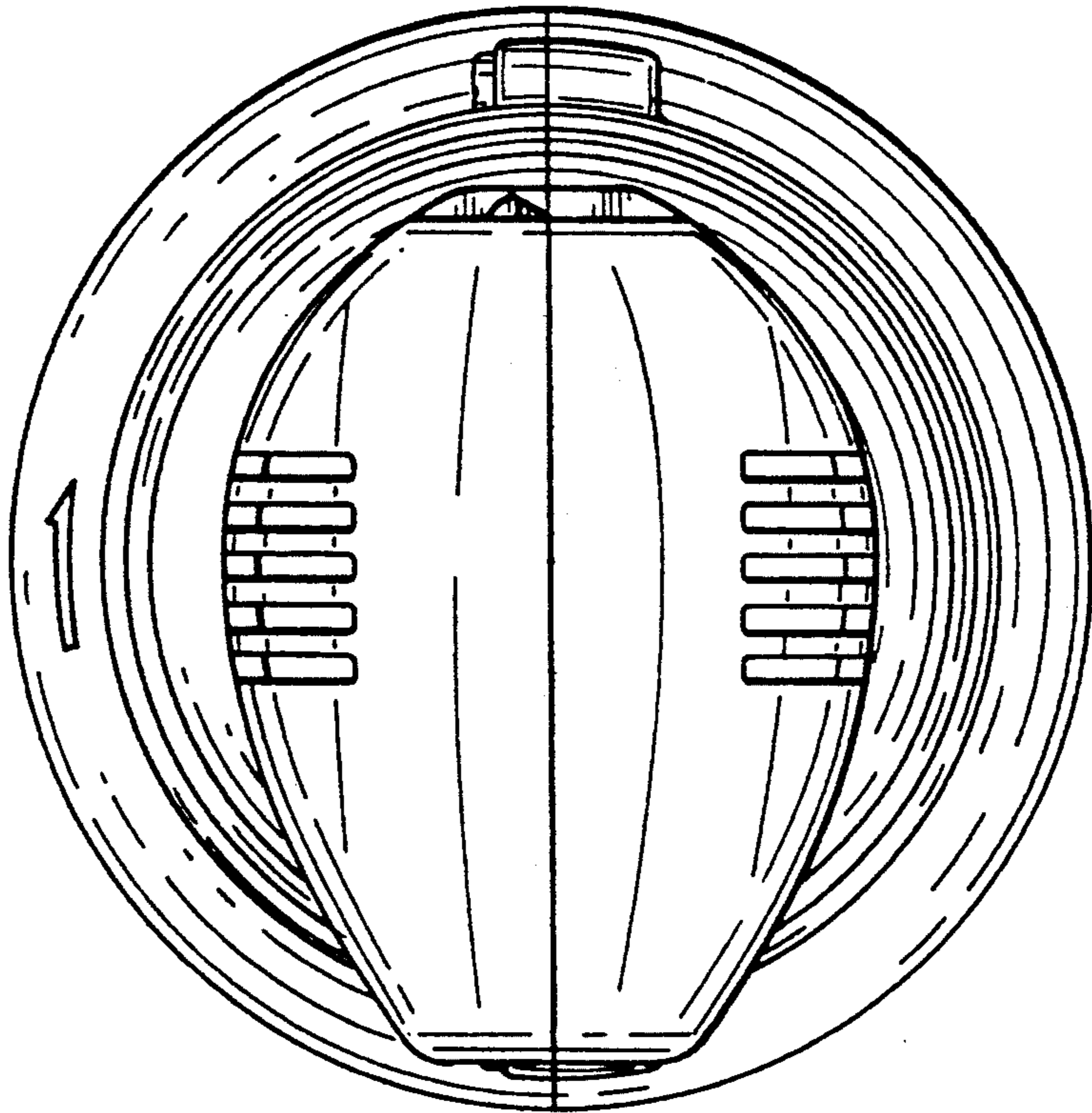


FIG. 14

