



US00D347772S

# United States Patent [19]

[11] Patent Number: **Des. 347,772**

Kiyooka et al.

[45] Date of Patent: **\*\* Jun. 14, 1994**

[54] **HEDGE TRIMMER**

[75] Inventors: **Katsumi Kiyooka, Togane; Masaya Hashimoto, Mobarra; Kaori Katoh, Chiba, all of Japan**

[73] Assignee: **Maruyama Mfg. Co., Inc., Tokyo, Japan**

[\*\*] Term: **14 Years**

[21] Appl. No.: **801,847**

[22] Filed: **Dec. 3, 1991**

[30] **Foreign Application Priority Data**

Jun. 17, 1991 [JP] Japan ..... 3-17720

[52] U.S. Cl. .... **D8/8**

[58] Field of Search ..... **D8/1, 8; 30/276; 56/12.7; D15/10**

[56] **References Cited**

**U.S. PATENT DOCUMENTS**

D. 325,856 5/1992 Caierke ..... D8/8

*Primary Examiner*—Wallace R. Burke

*Assistant Examiner*—H. Baynham

*Attorney, Agent, or Firm*—Keck, Mahin & Cate

[57] **CLAIM**

The ornamental design for a hedge trimmer, as shown and described.

**DESCRIPTION**

FIG. 1 is a right side elevational view of a hedge trimmer embodying our design;

FIG. 2 is a left side elevational view thereof;

FIG. 3 is a top plan view thereof;

FIG. 4 is a bottom plan view thereof;

FIG. 5 is a rear elevational view thereof;

FIG. 6 is a front elevational view thereof;

FIG. 7 is a right side perspective view thereof;

FIG. 8 is a left side perspective view thereof;

FIG. 9 is an enlarged right side elevational view of an engine portion thereof;

FIG. 10 is an enlarged right side elevational view of a handle portion thereof;

FIG. 11 is an enlarged right side elevational view of a blade portion thereof;

FIG. 12 is an enlarged left side elevational view of an engine portion thereof;

FIG. 13 is an enlarged left side elevational view of a handle portion thereof;

FIG. 14 is an enlarged left side elevational view of a blade portion thereof;

FIG. 15 is an enlarged top plan view of an engine portion thereof;

FIG. 16 is an enlarged top plan view of a handle portion thereof;

FIG. 17 is an enlarged top plan view of a blade portion thereof;

FIG. 18 is an enlarged bottom plan view of an engine portion thereof;

FIG. 19 is an enlarged bottom plan view of a handle portion thereof;

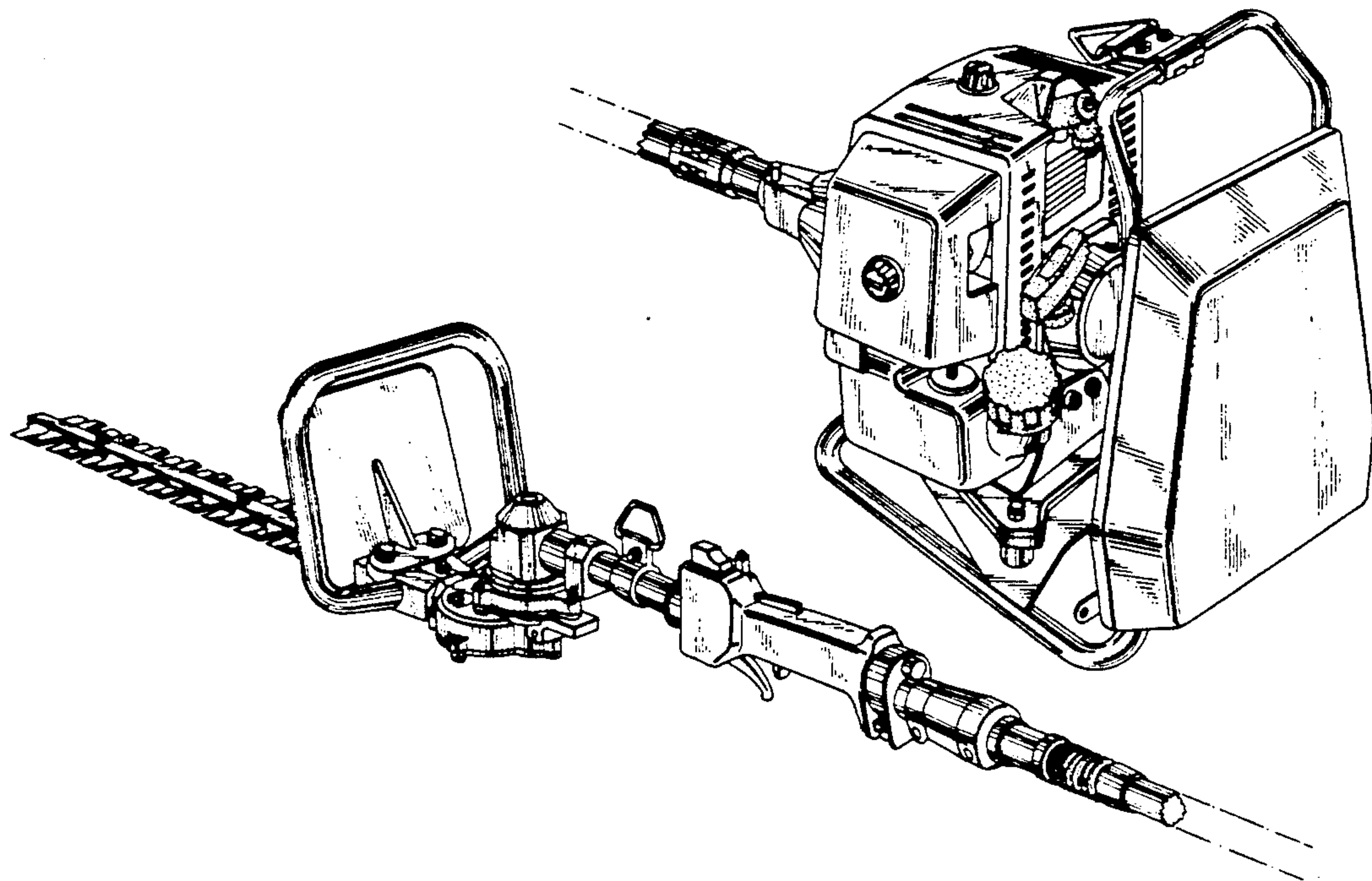
FIG. 20 is an enlarged bottom plan view of a blade portion thereof;

FIG. 21 is an enlarged rear elevational view thereof;

and,

FIG. 22 is an enlarged front elevational view thereof.

FIGS. 7 and 8 are shown in a detached manner for ease of illustration. The remaining views of the claimed article have been shown separately for clarity of illustration.



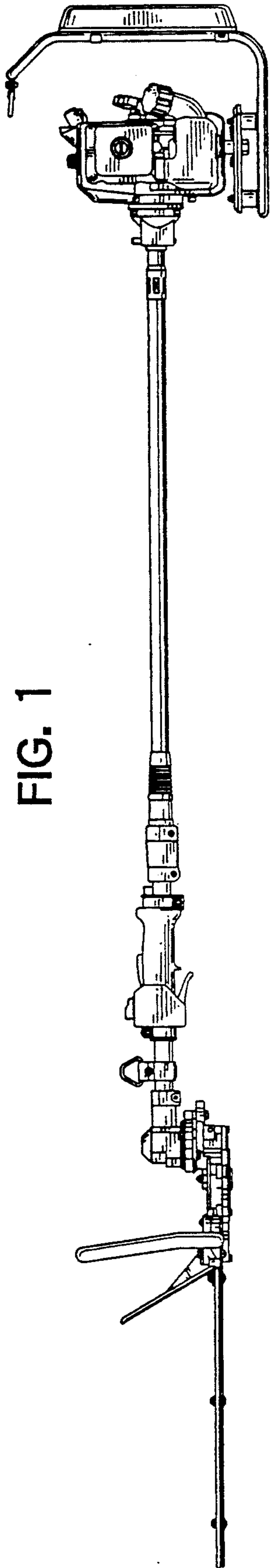


FIG. 1

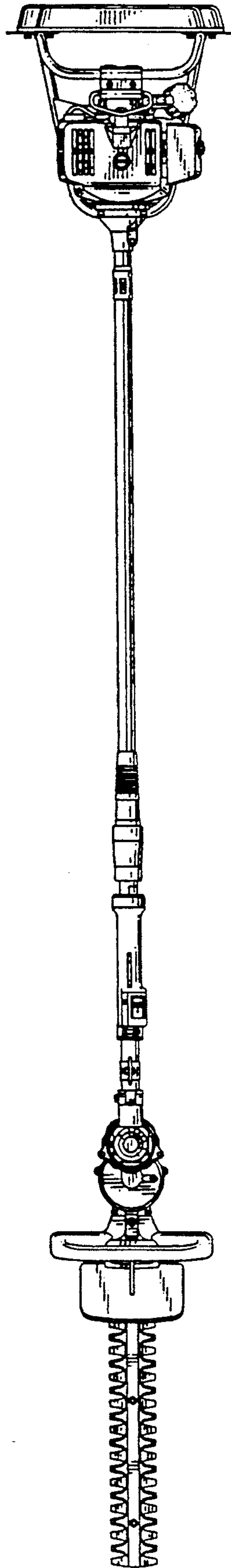


FIG. 3

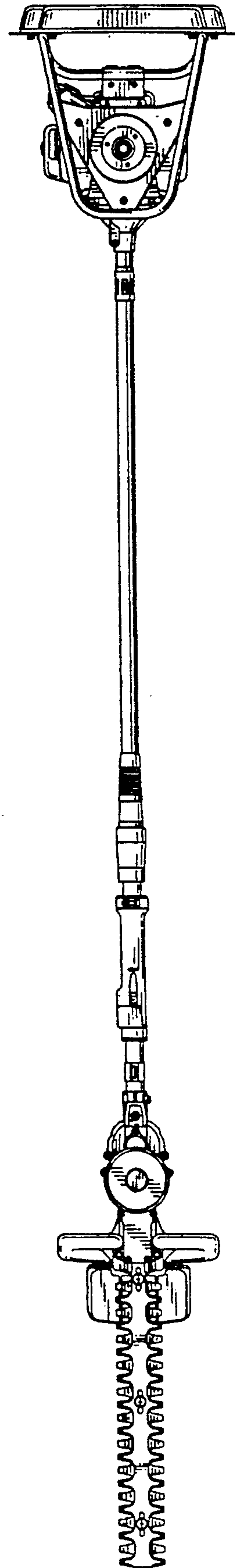


FIG. 4

FIG. 2

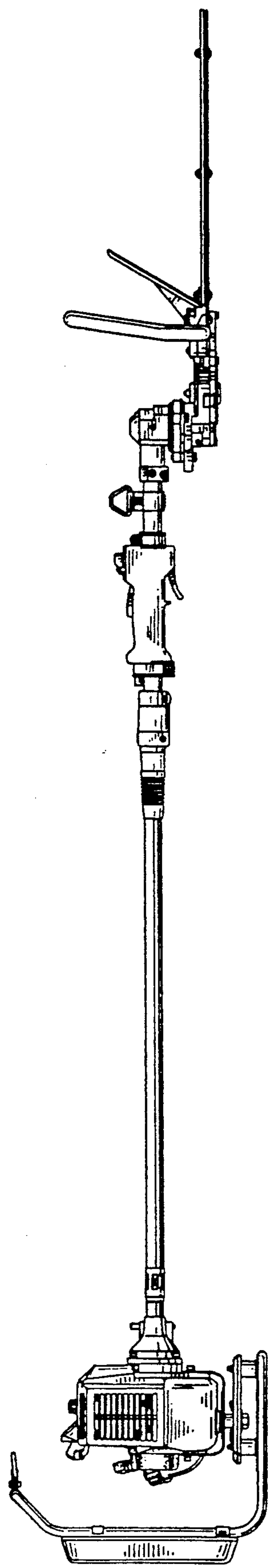


FIG. 5

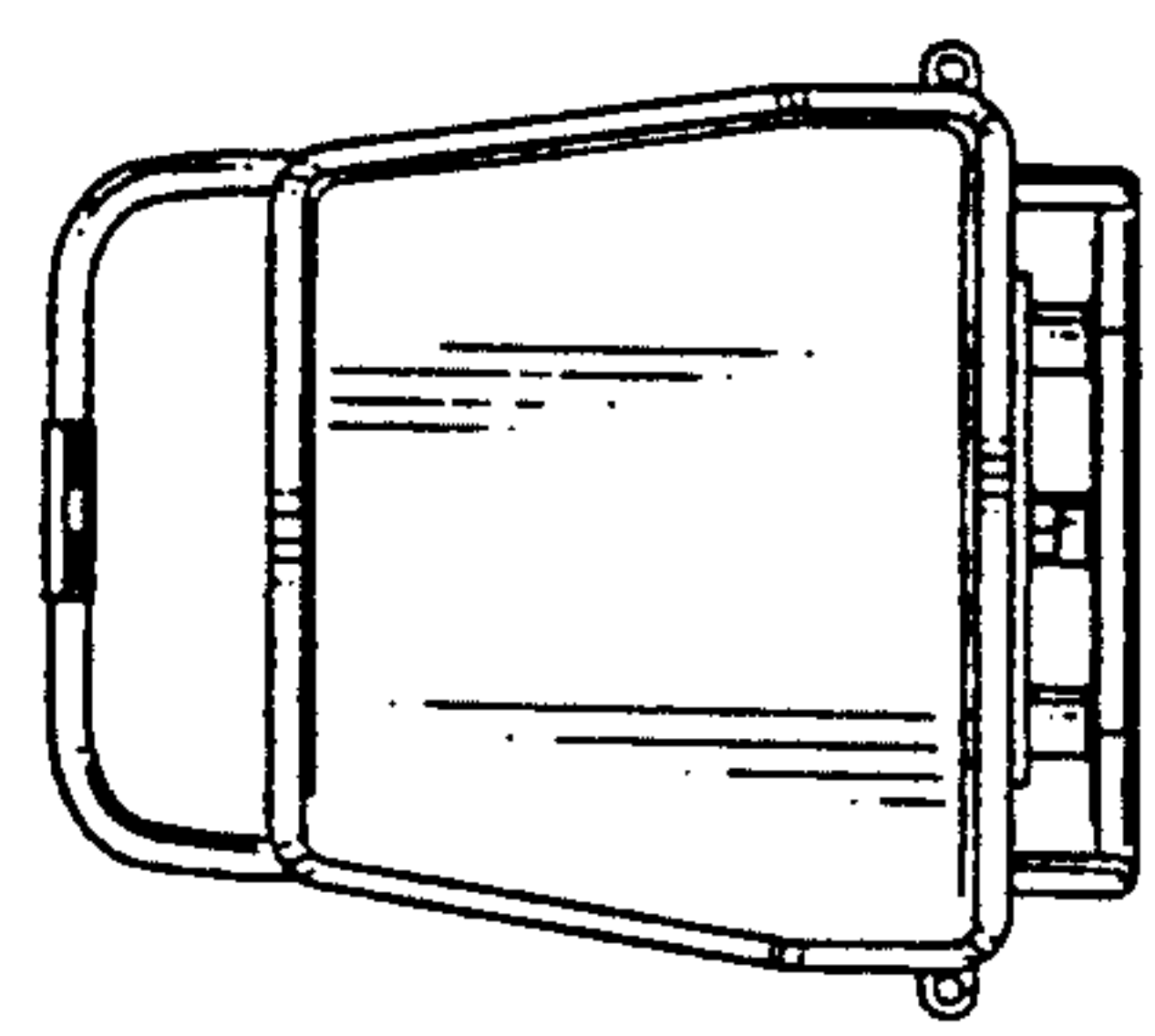
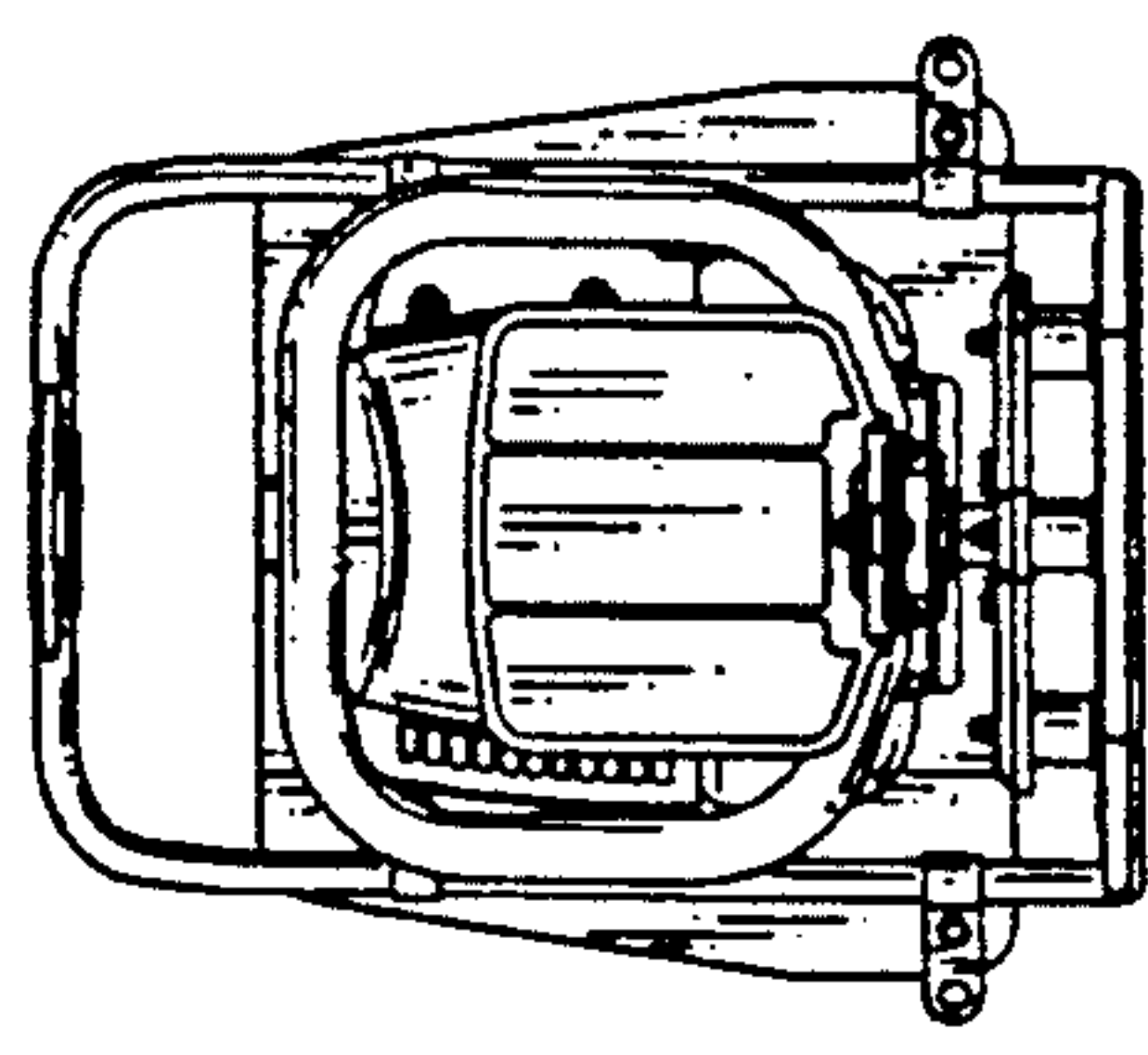


FIG. 6





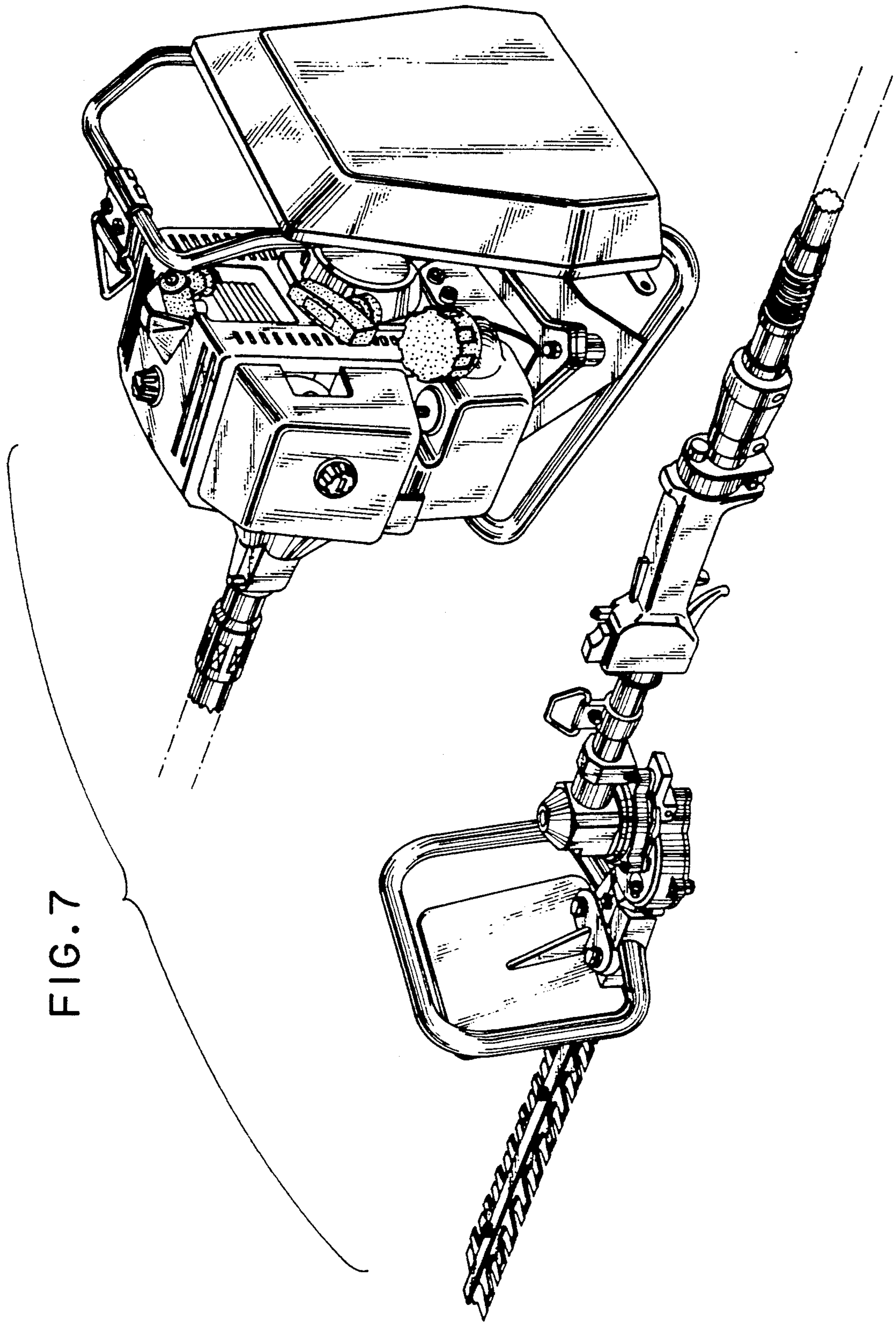


FIG. 7

FIG. 8

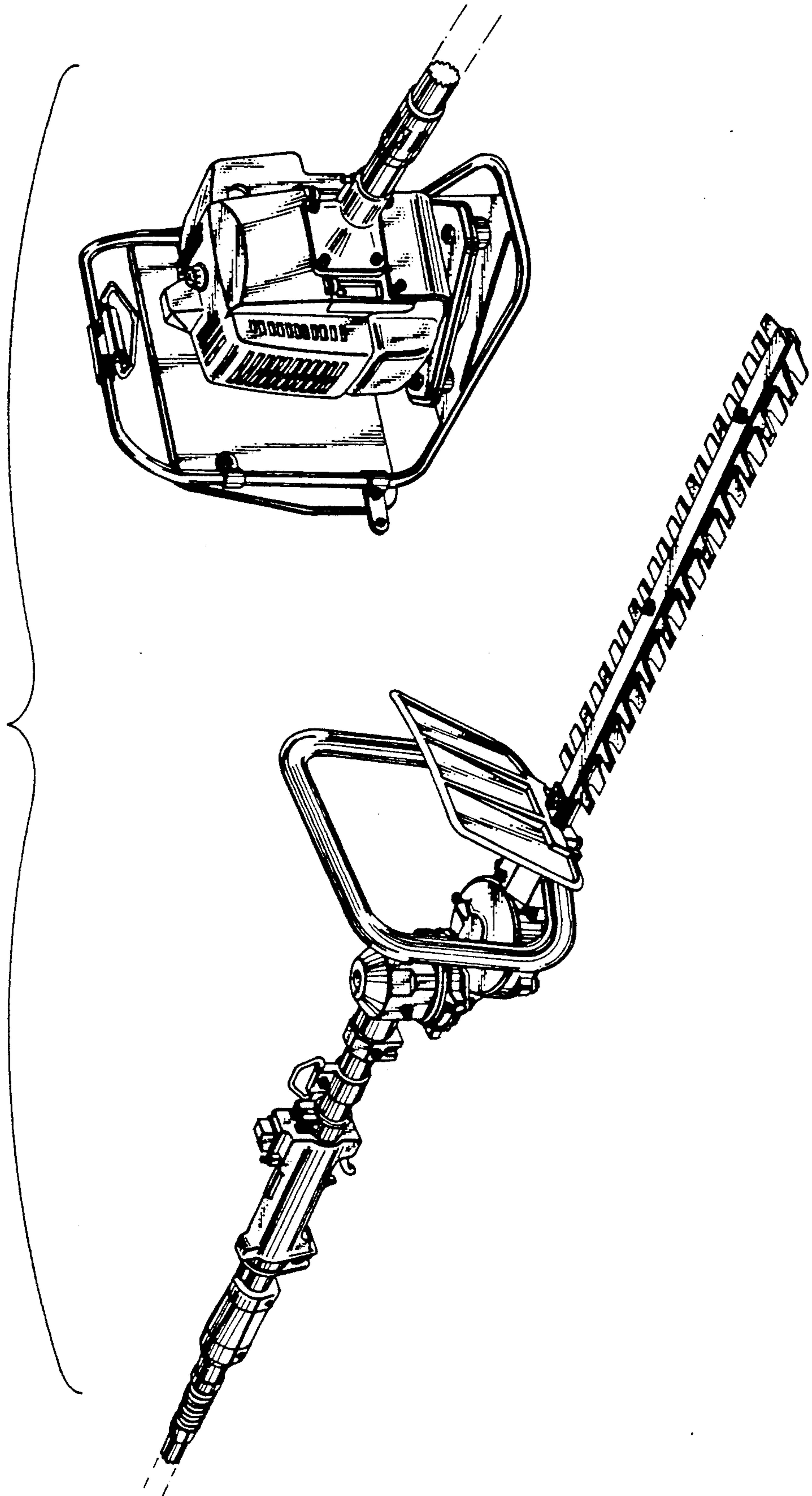


FIG. 9

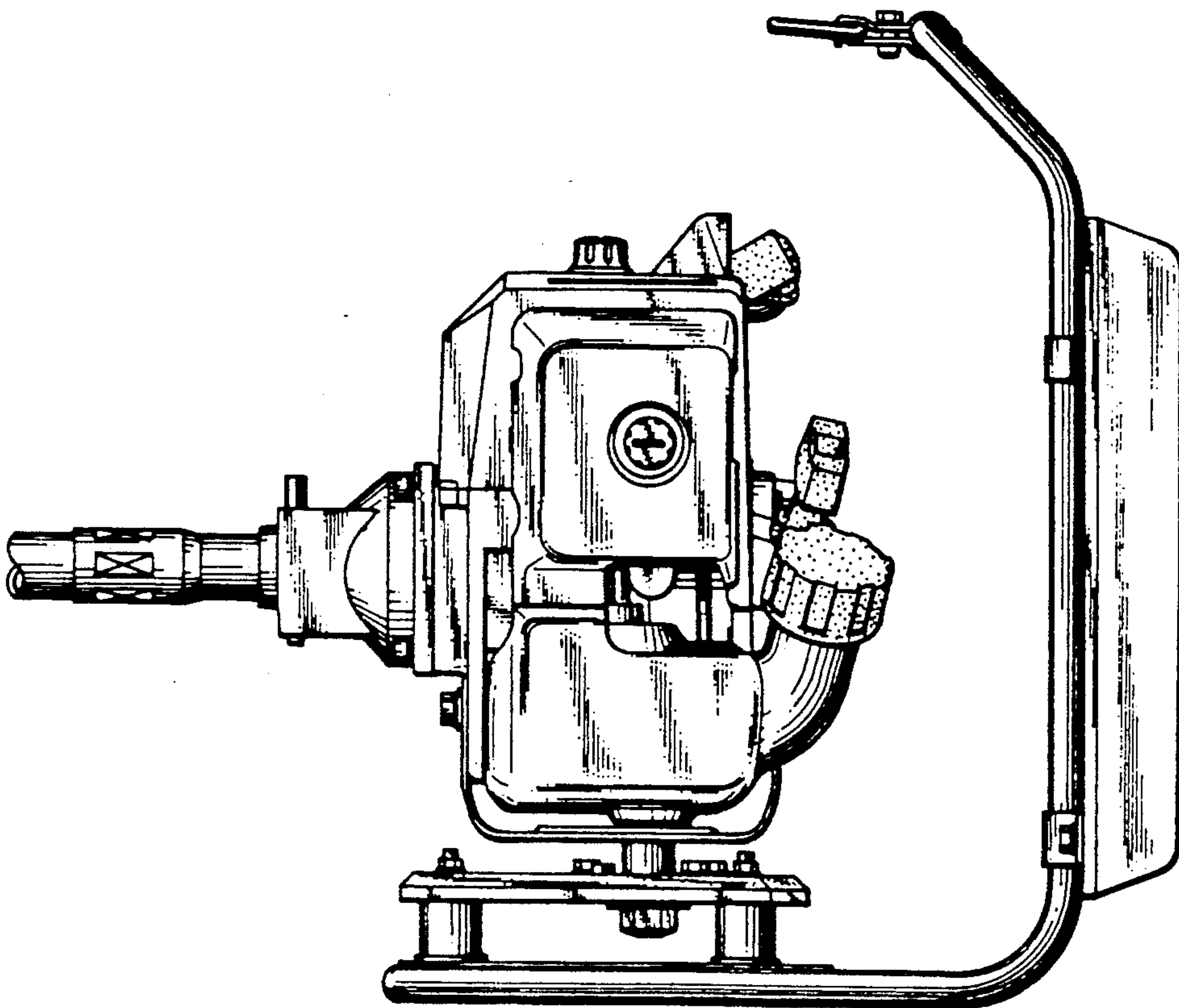


FIG.10

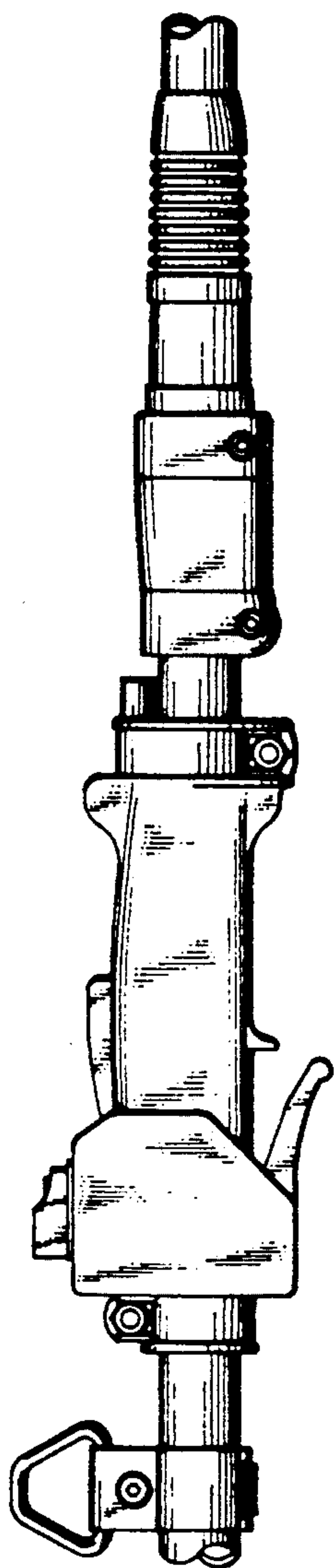


FIG.11

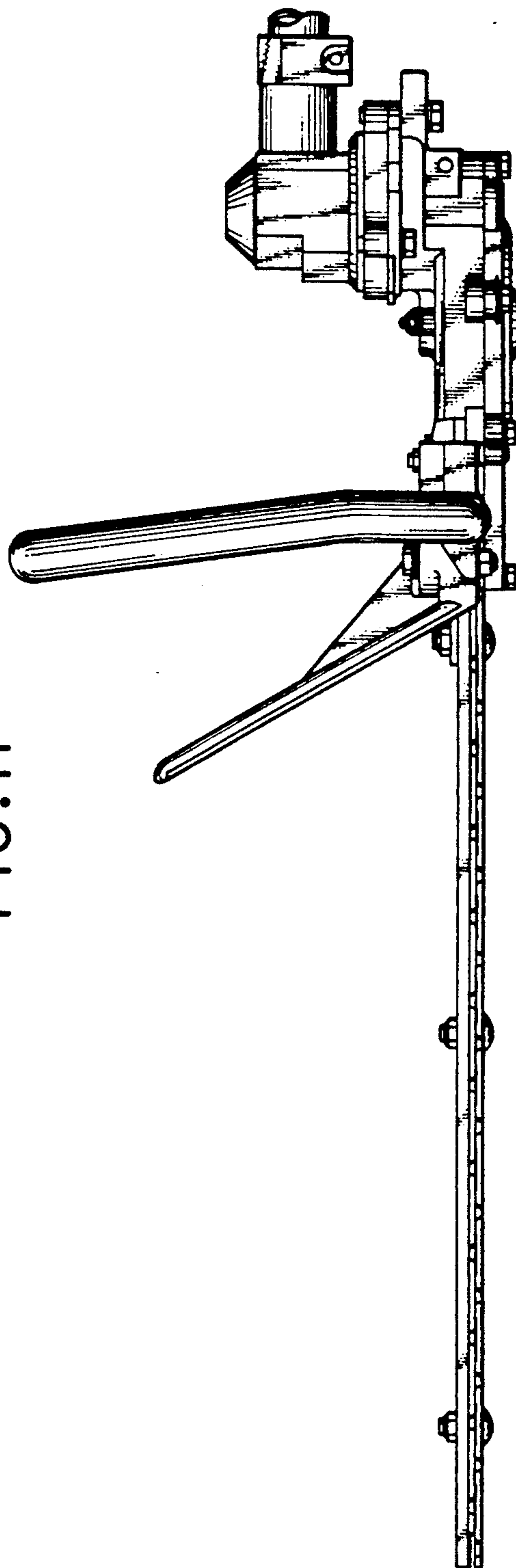




FIG. 12

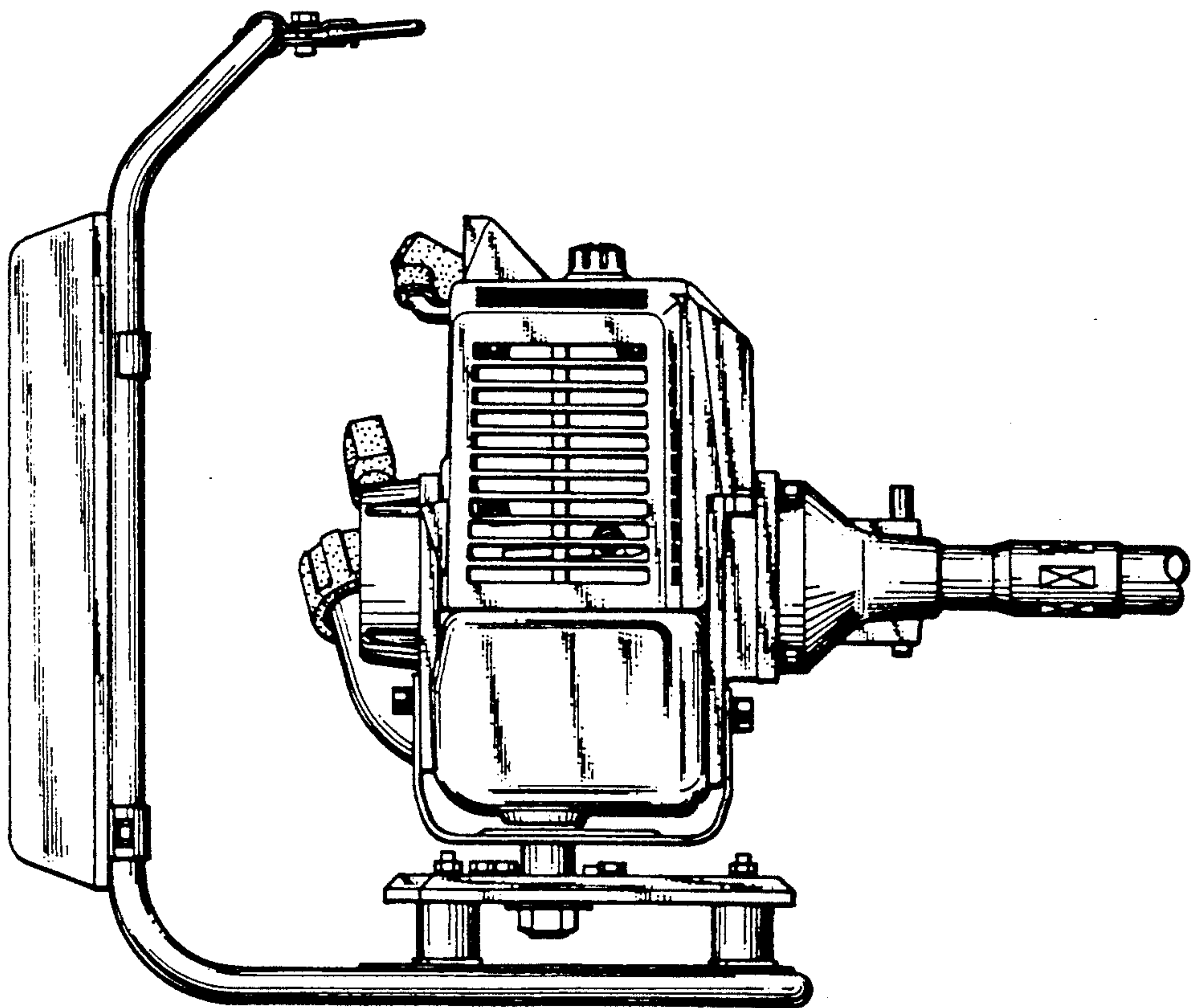




FIG. 13

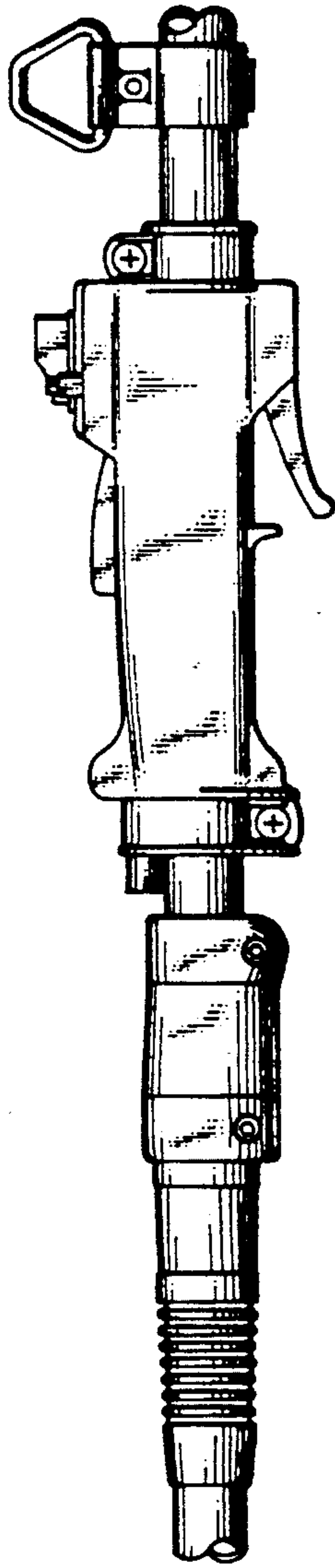


FIG. 14

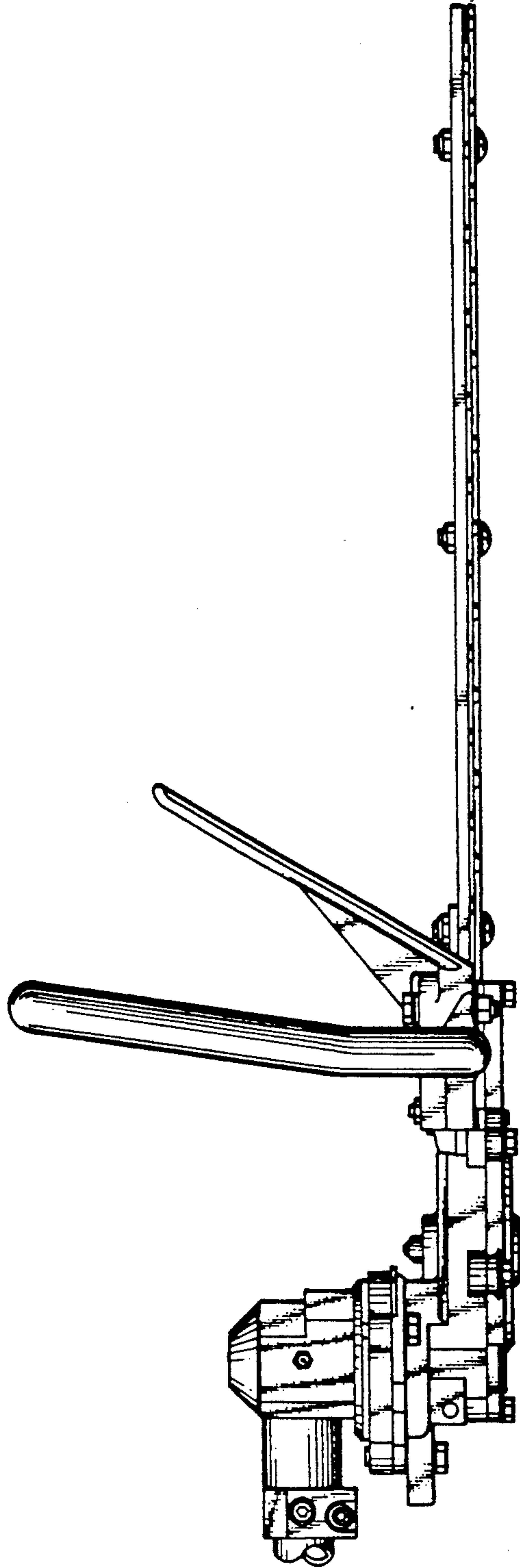


FIG. 15

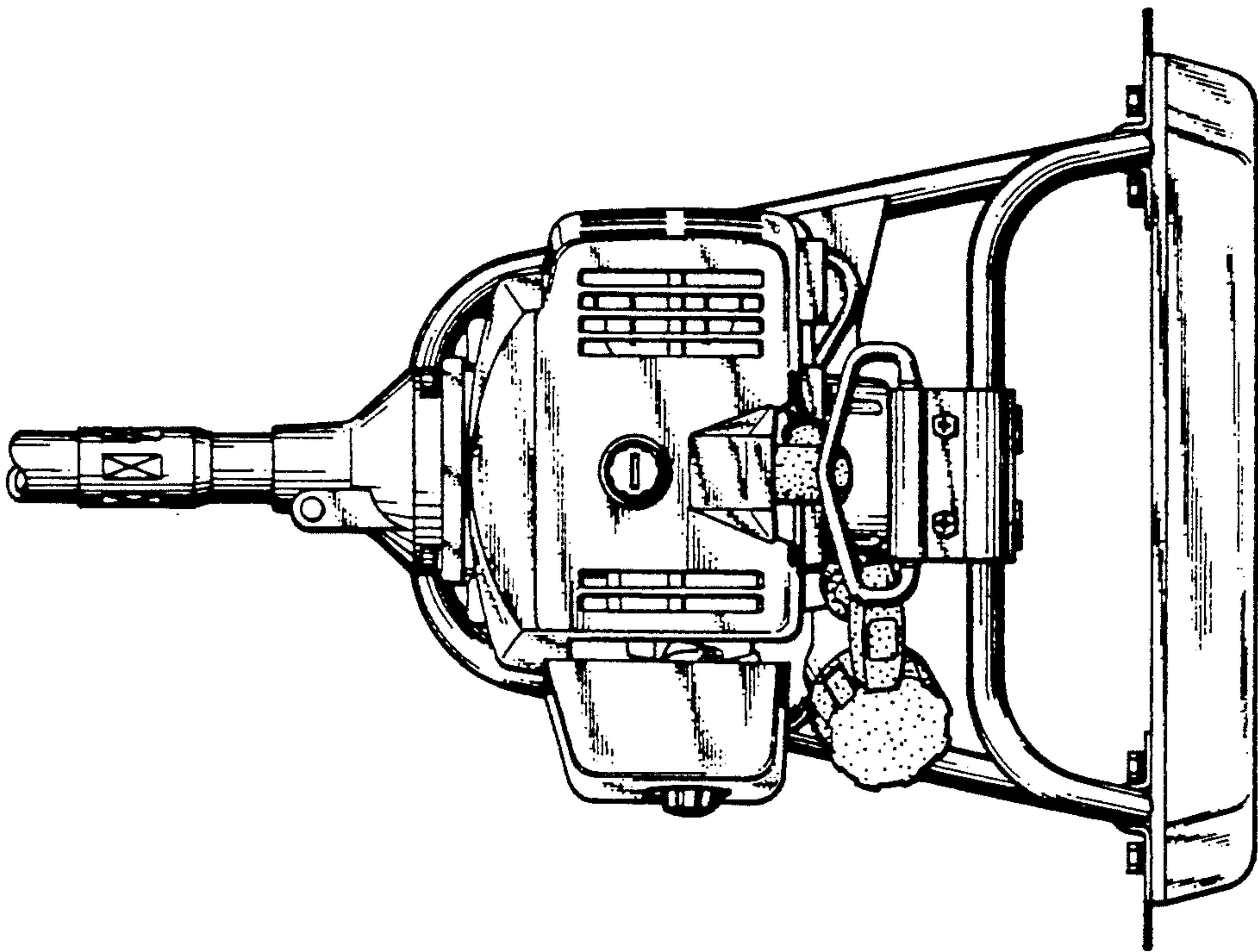


FIG.16

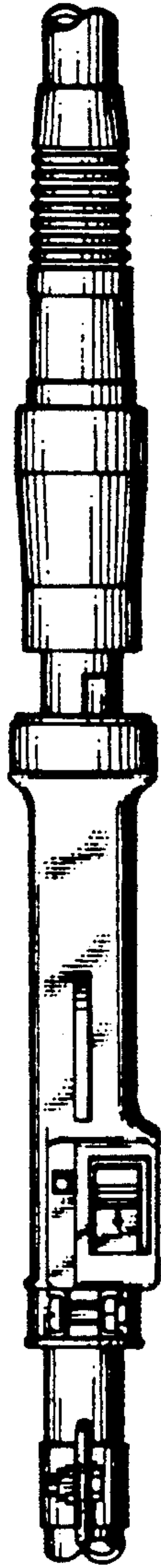


FIG.17

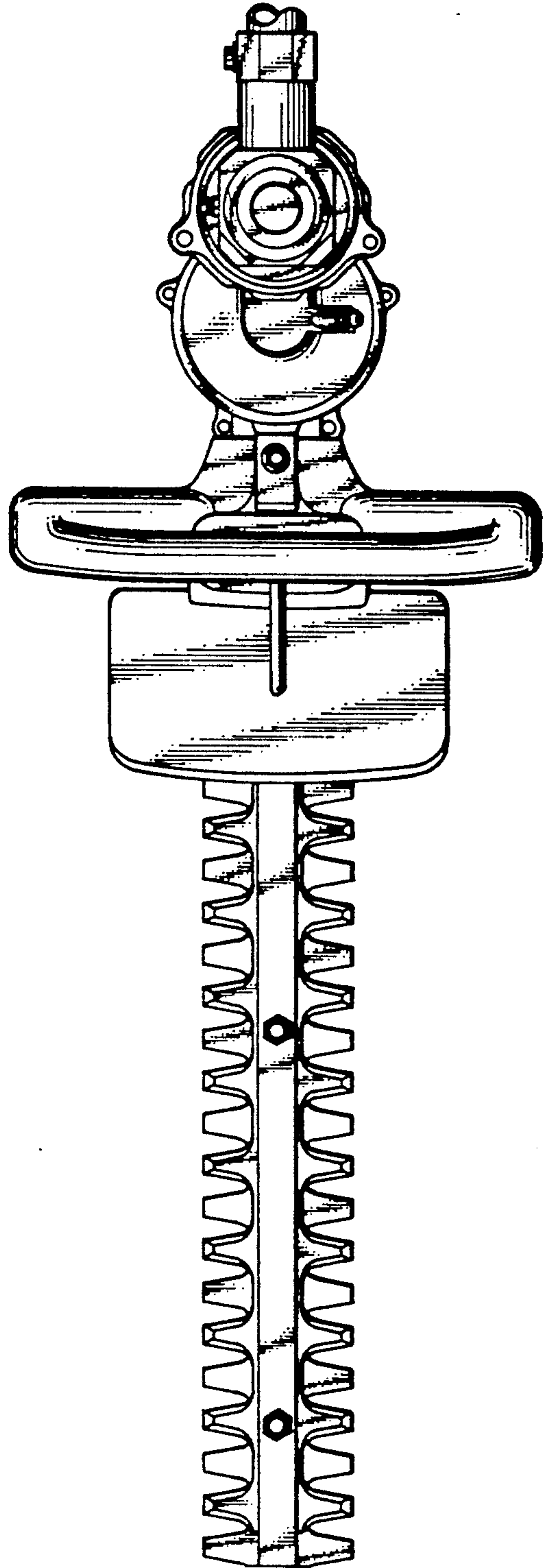


FIG. 18

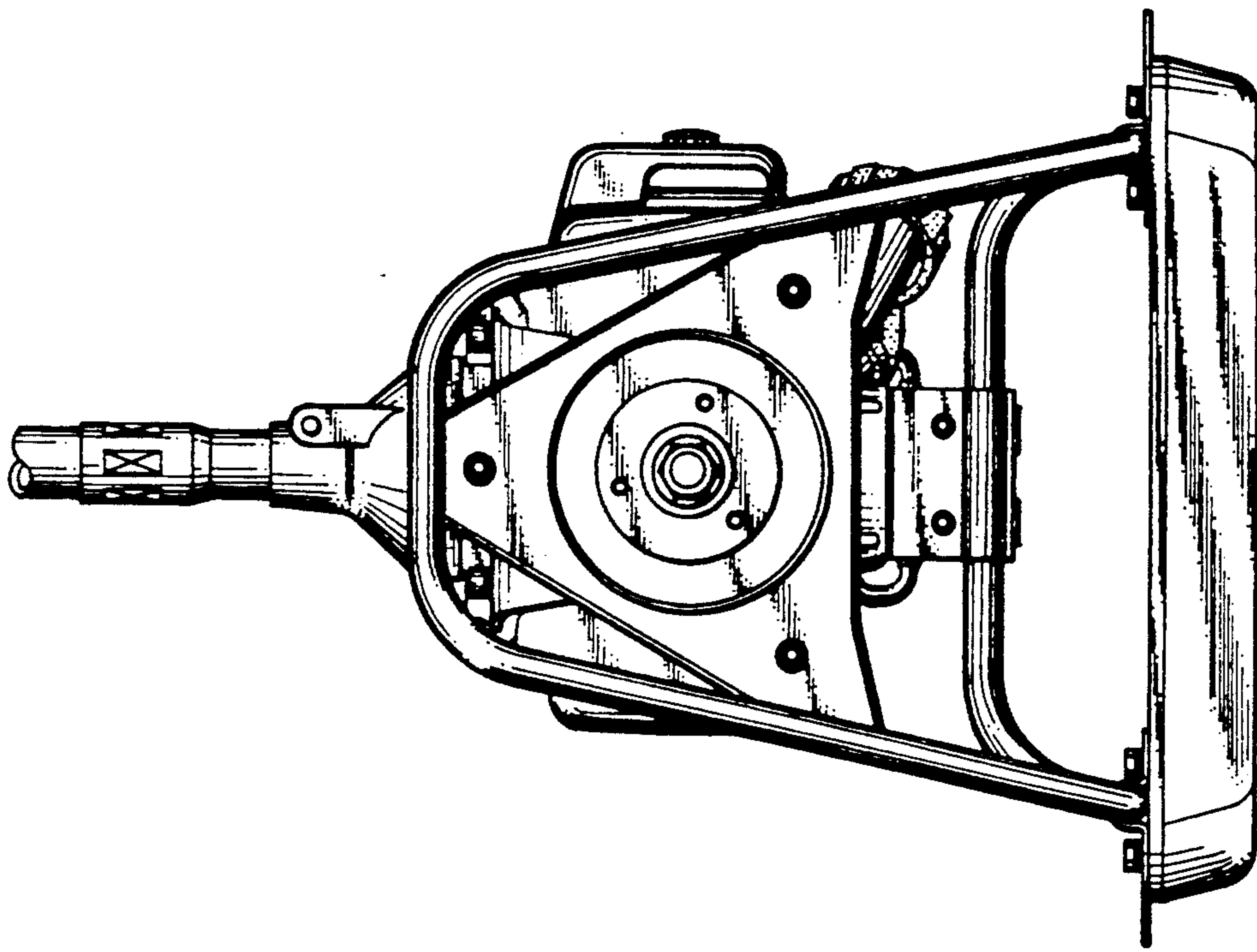




FIG.19



FIG.20

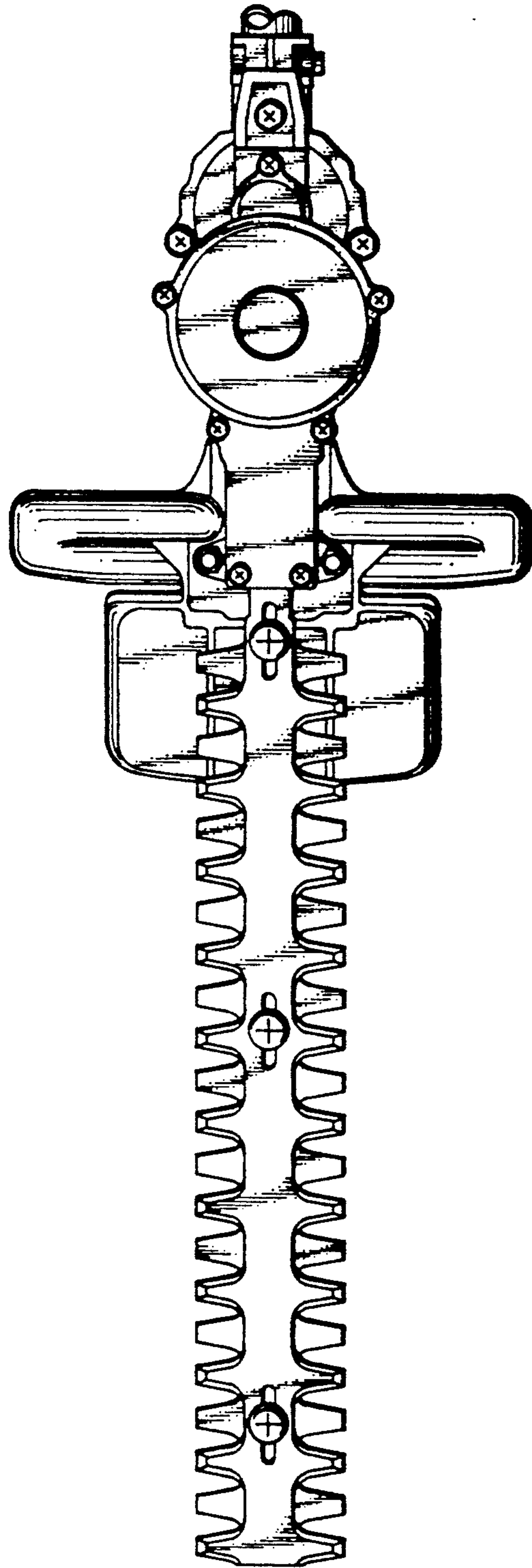


FIG.22

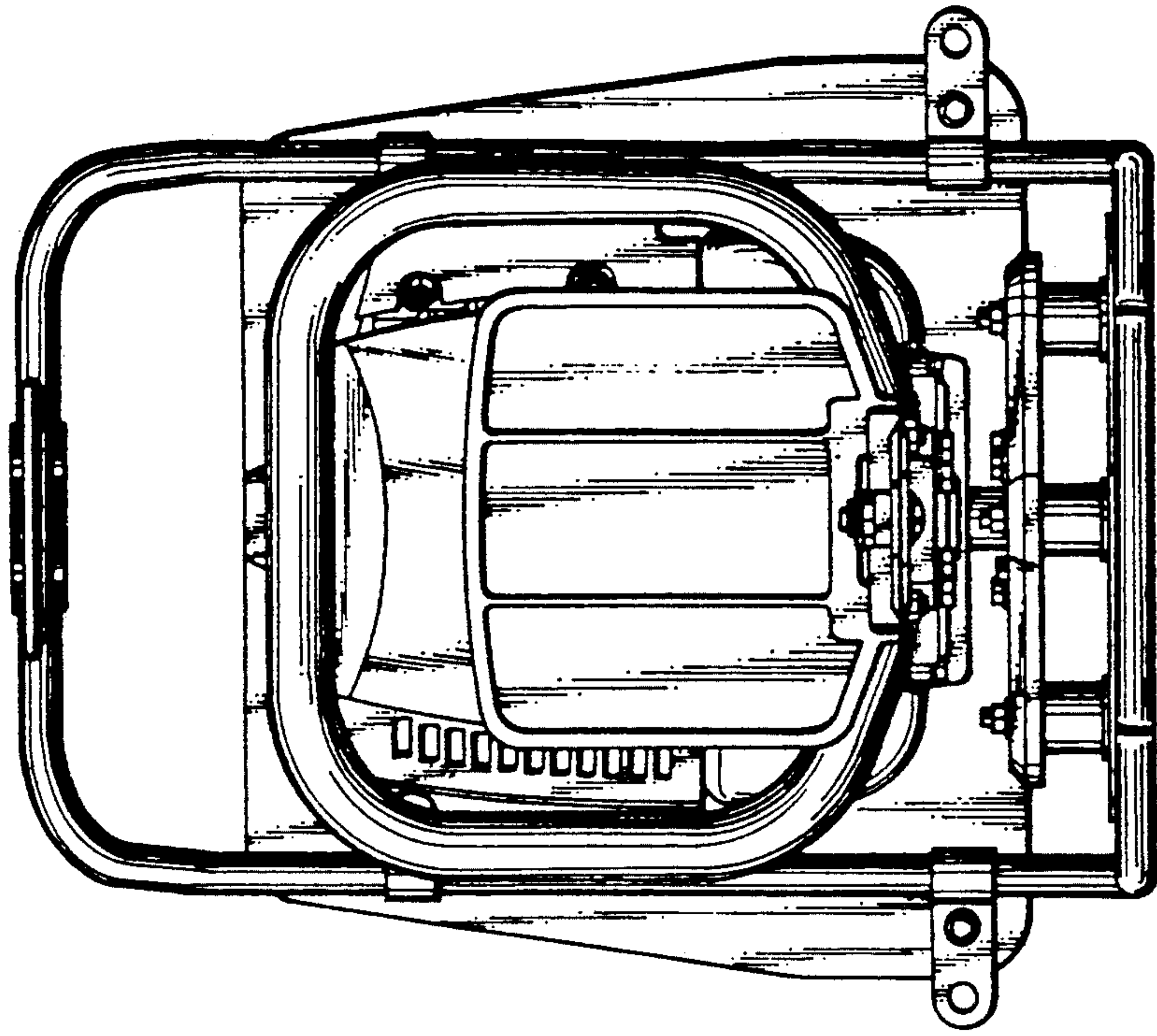


FIG.21

