



US00D347763S

United States Patent [19]

[11] Patent Number: **Des. 347,763**

Kleckauskas et al.

[45] Date of Patent: **** Jun. 14, 1994**

[54] **DRINKING CUP**

[75] Inventors: **Robert Kleckauskas**, Downers Grove; **Gary Brabeck**, Arlington Heights; **Charles Brewer**, Geneva; **Craig Scherer**, Evanston; **Michael Thuma**, Des Plaines; **Bruce Cohen**, Winnetka; **James Cohen**, Northbrook, all of Ill.

[73] Assignee: **Arrow Plastic Manufacturing Company**, Elk Grove, Ill.

[**] Term: **14 Years**

[21] Appl. No.: **6,009**

[22] Filed: **Mar. 17, 1993**

[52] U.S. Cl. **D7/533; D7/532; D7/510; D7/515**

[58] Field of Search **D7/509, 510, 511, 512, D7/514, 515, 535, 536, 523, 528, 532, 533, 534; 222/285; 220/771, 719, 772**

[56] **References Cited**

U.S. PATENT DOCUMENTS

D. 65,527	9/1924	Graham	D7/532
D. 94,000	12/1934	Sebring	D7/536
D. 96,566	8/1935	Straus	D7/532
D. 185,971	8/1959	Saffer	D7/536
D. 186,535	11/1959	Saffer	D7/535
D. 232,797	9/1974	Doolittle	D7/511 X
D. 242,416	11/1976	Achenbach	D7/532

D. 243,816	3/1977	Achenbach	D7/532
D. 269,578	7/1983	Straubinger	.	
D. 285,035	8/1986	Petrsek	D7/536
D. 292,462	10/1987	Petrsek	.	
D. 292,463	10/1987	Petrsek	D7/515
D. 292,464	10/1987	Petrsek	D7/536
307,297	10/1884	Habenicht	D7/536 X
D. 340,836	11/1993	Cautereels	D7/511
2,355,010	8/1944	Pera	D7/536 X
2,599,919	6/1952	Hucknall	.	
2,687,628	8/1954	Cunningham	D7/536 X
2,747,387	5/1956	Sween	D7/536 X
4,016,998	4/1977	Finch	D7/536 X
4,239,175	12/1980	Straubinger	.	

Primary Examiner—Alan P. Douglas
Assistant Examiner—Marianne N. Pandozzi
Attorney, Agent, or Firm—Dressler, Goldsmith, Shore & Milnamow, Ltd.

[57] **CLAIM**

The ornamental design for a drinking cup, as shown described.

DESCRIPTION

FIG. 1 is a perspective view of a drinking cup showing our new design;
FIG. 2 is a side elevational view thereof, with the opposite side elevational view being a mirror image;
FIG. 3 is a rear elevational view thereof;
FIG. 4 is a front elevational view thereof;
FIG. 5 is a top plan view thereof; and,
FIG. 6 is a bottom plan view thereof.

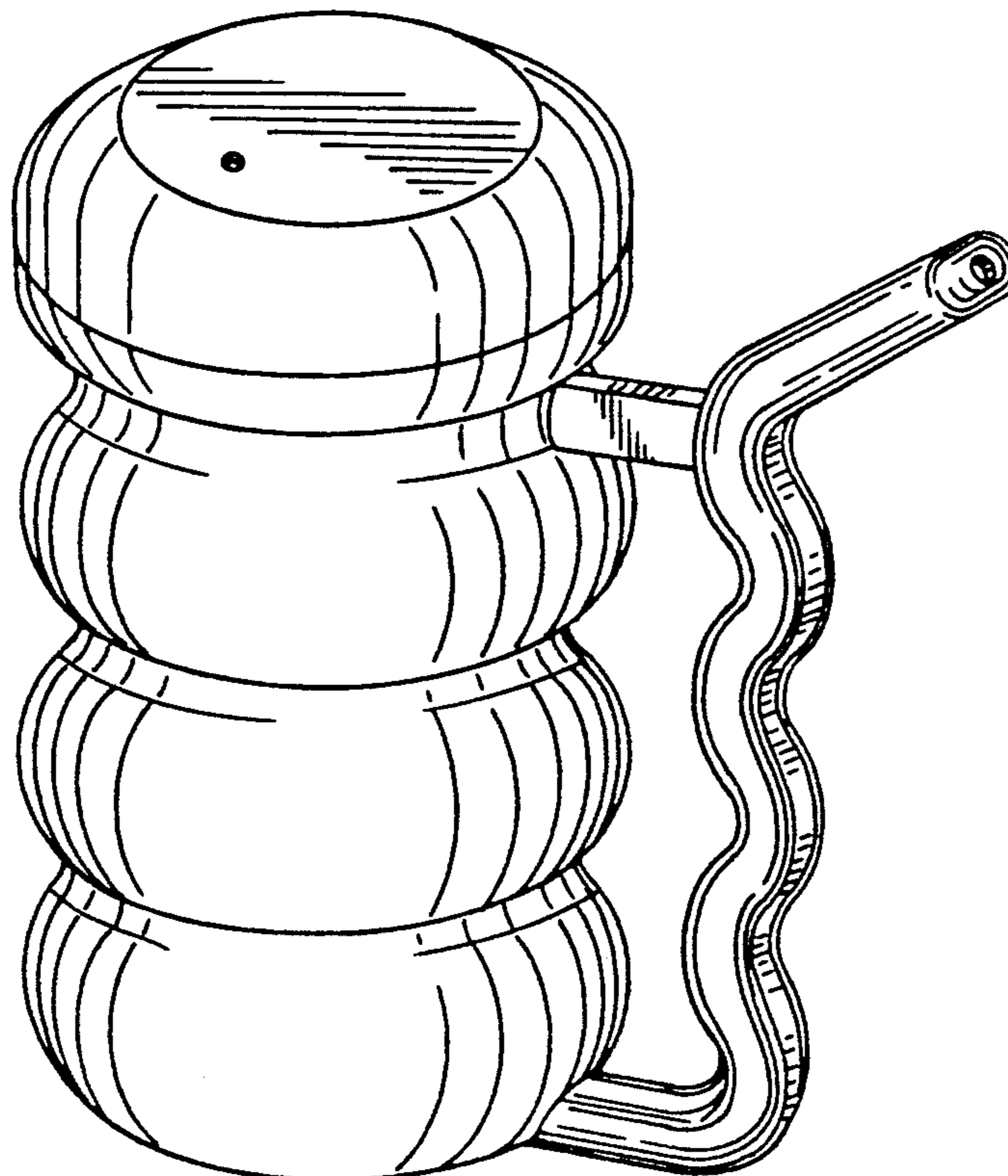


FIG. 2

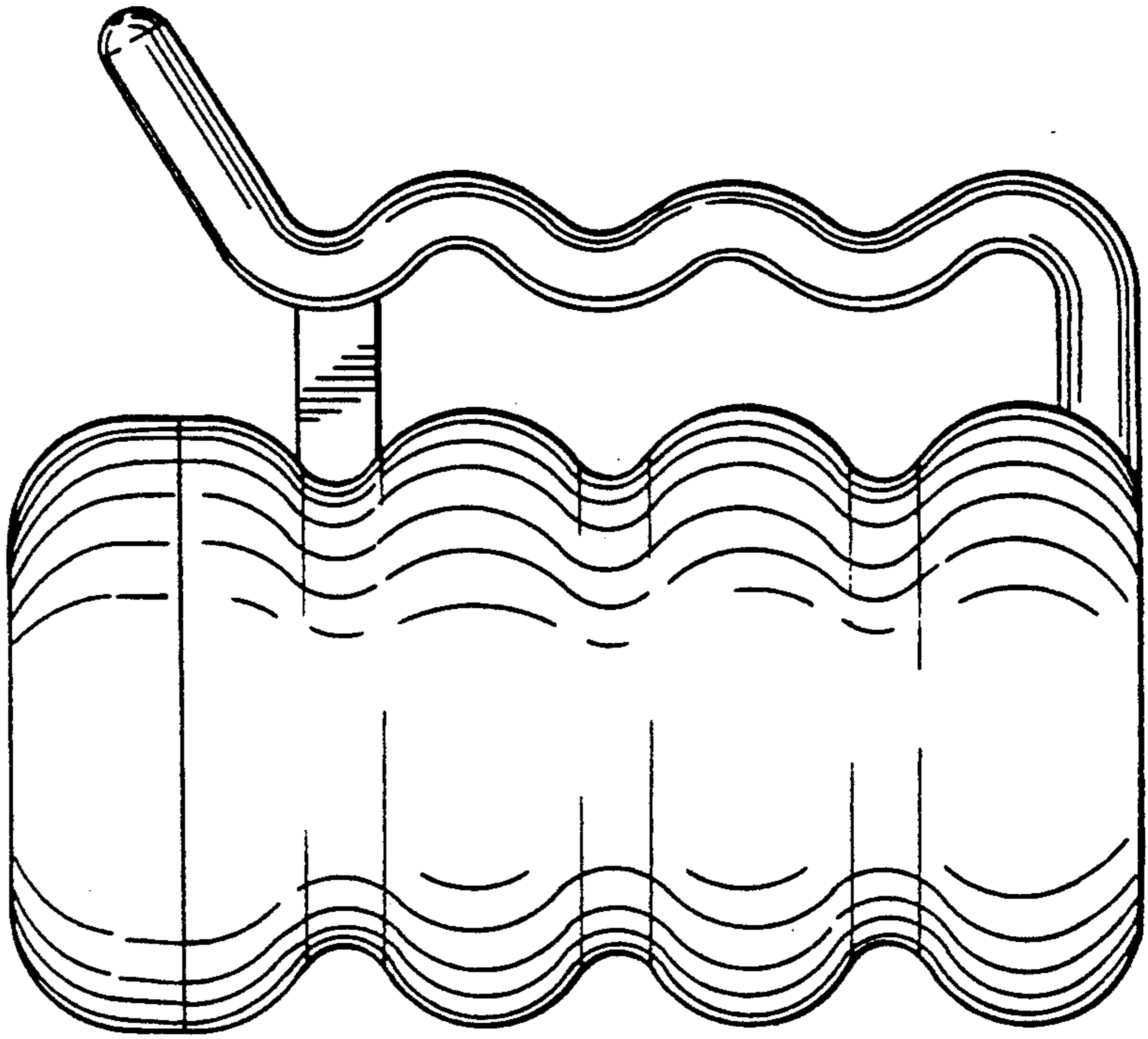


FIG. 1

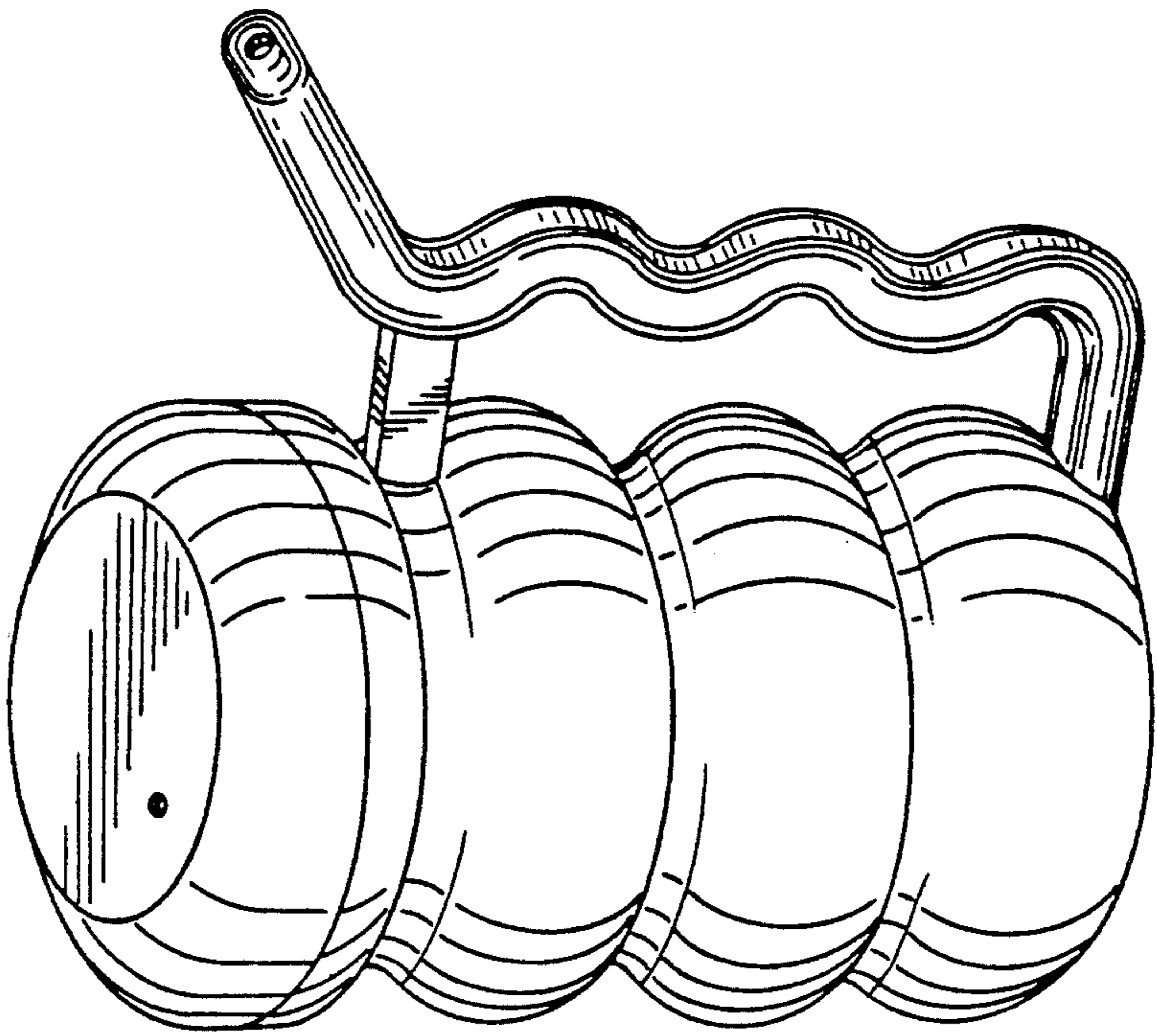


FIG. 3

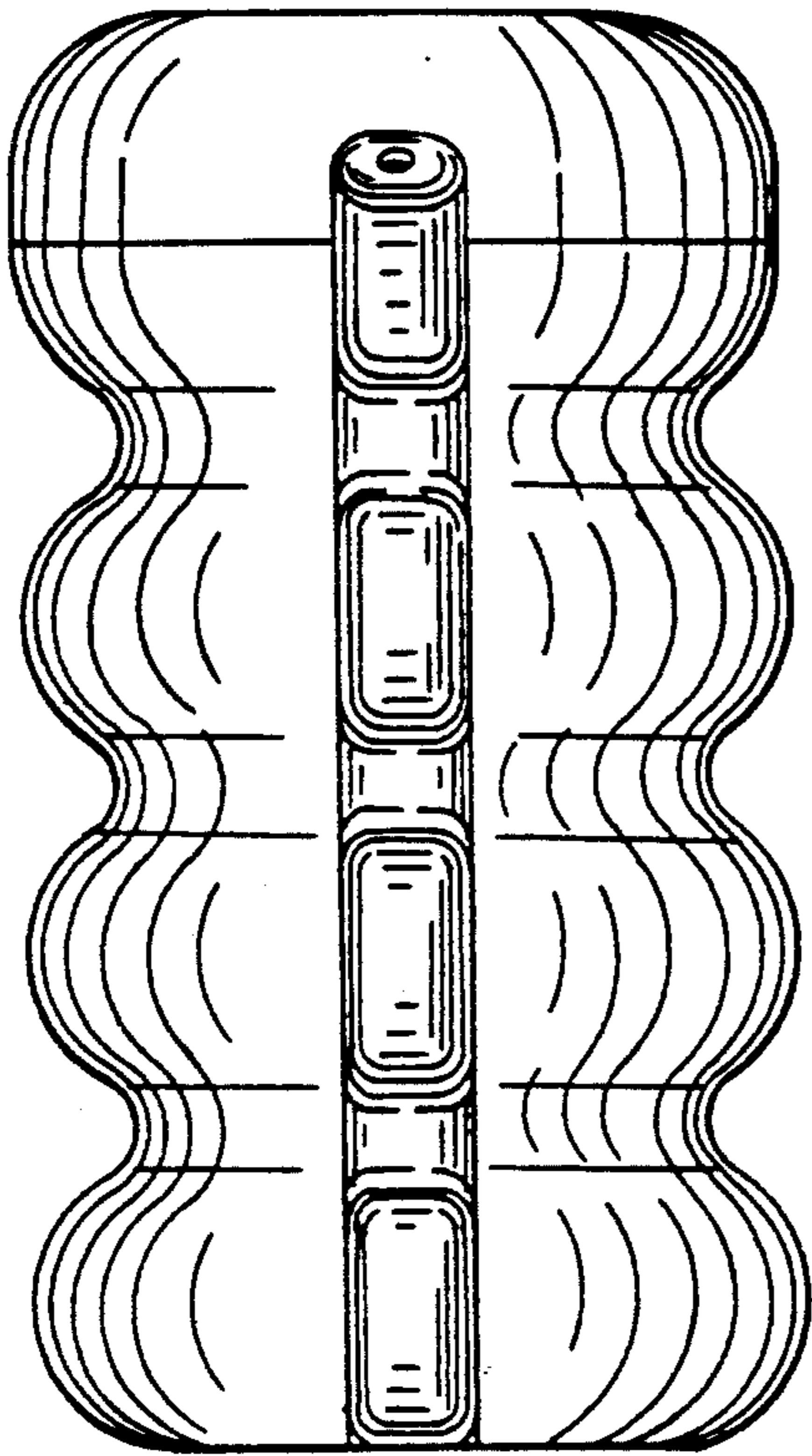


FIG. 4

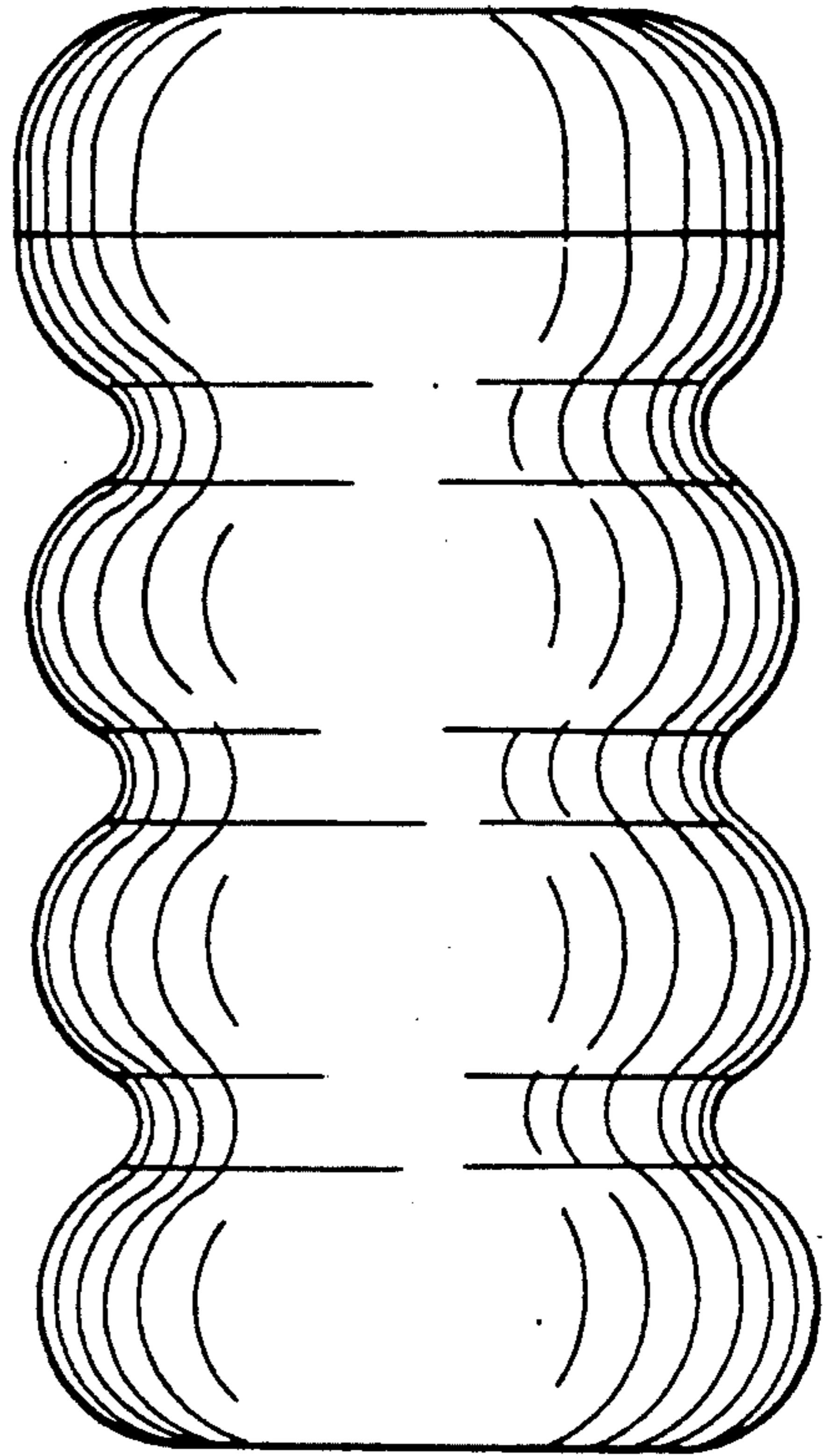


FIG. 5

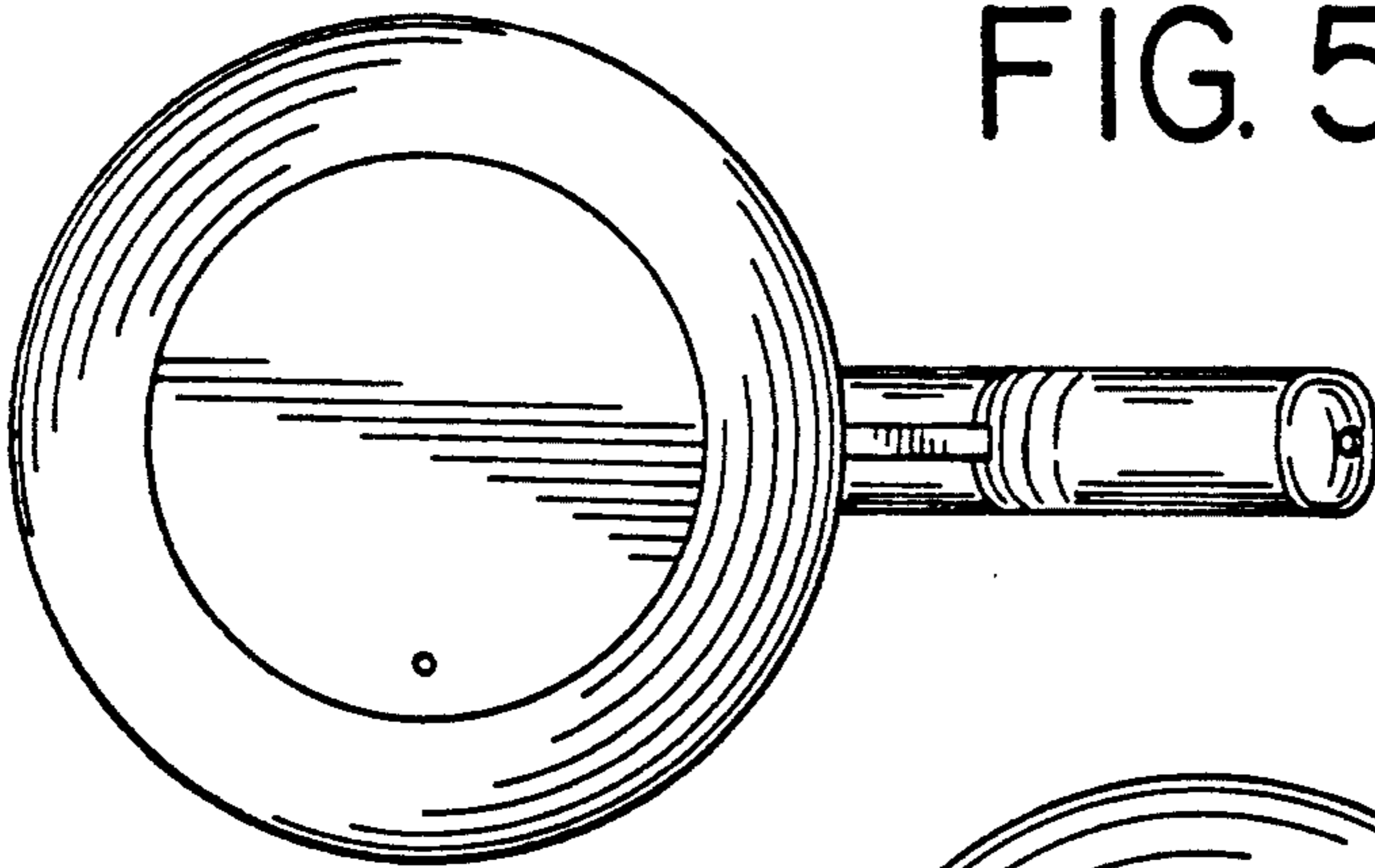


FIG. 6

