



US00D347760S

United States Patent [19]

Breeze

[11] Patent Number: **Des. 347,760**

[45] Date of Patent: **** Jun. 14, 1994**

[54] FAUCET FOUNTAIN

[75] Inventor: **Robert Breeze, Hillsboro, Oreg.**

[73] Assignee: **William C. Crutcher, Middlebury, Conn.**

[**] Term: **14 Years**

[21] Appl. No.: **842,587**

[22] Filed: **Feb. 27, 1992**

[52] U.S. Cl. **D7/398**

[58] Field of Search **D7/398; 239/25, 26, 239/27; D23/201, 213**

3,101,174 8/1963 Loveland 239/27

3,443,753 5/1969 McDonnell 239/27

3,462,080 8/1969 Howard et al. 239/27

3,512,711 5/1970 Abbott 239/25

4,934,597 6/1990 Crutcher 239/27

5,257,647 11/1993 Wilhite 137/801

Primary Examiner—James R. Largen
Attorney, Agent, or Firm—William C. Crutcher

[57] CLAIM

The ornamental design for a faucet fountain, as shown and described.

DESCRIPTION

FIG. 1 is a top plan view of a faucet fountain showing my new design;

FIG. 2 is a front elevational view thereof;

FIG. 3 is a left side elevational view thereof, the right side being a mirror image of the left side;

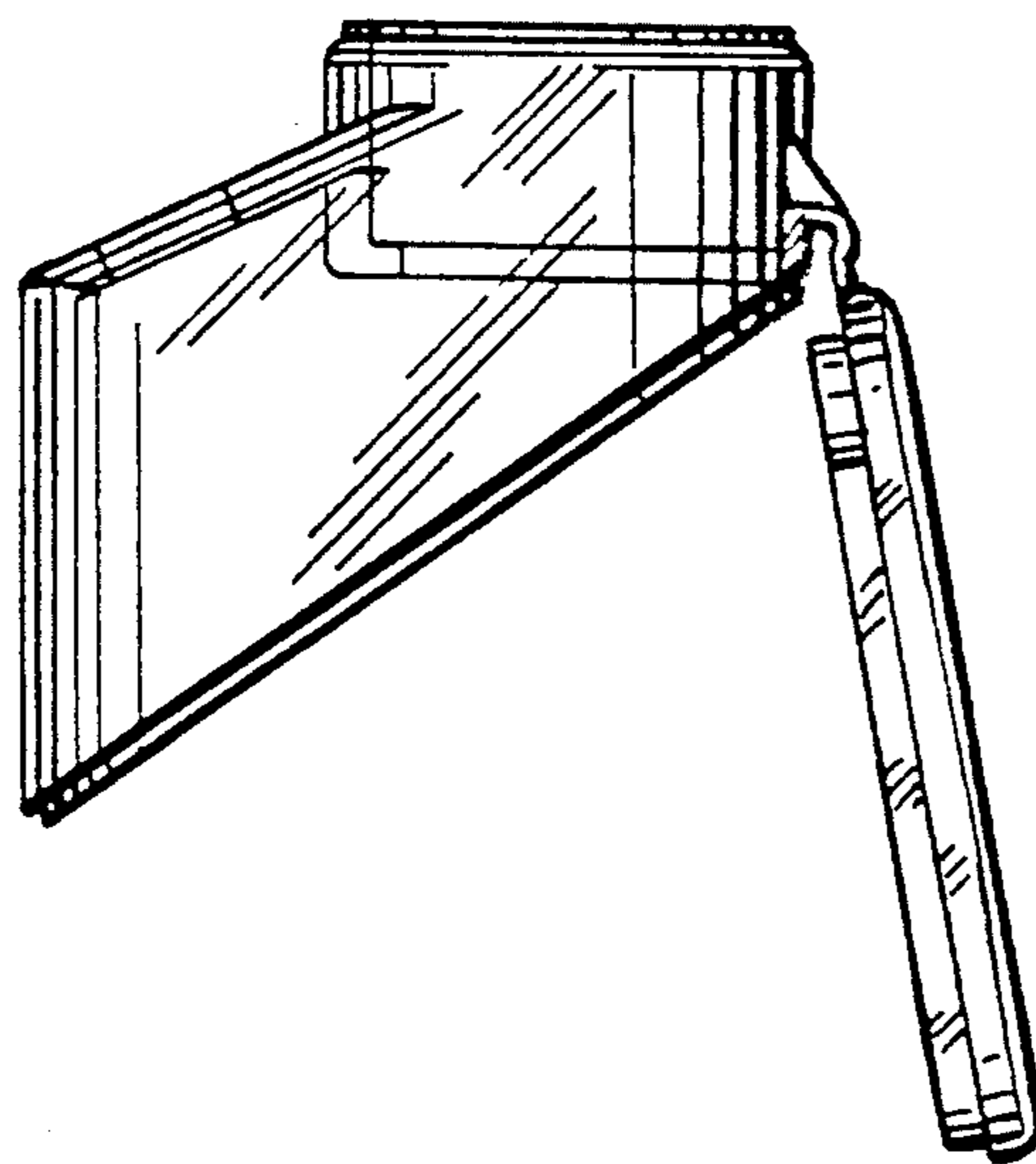
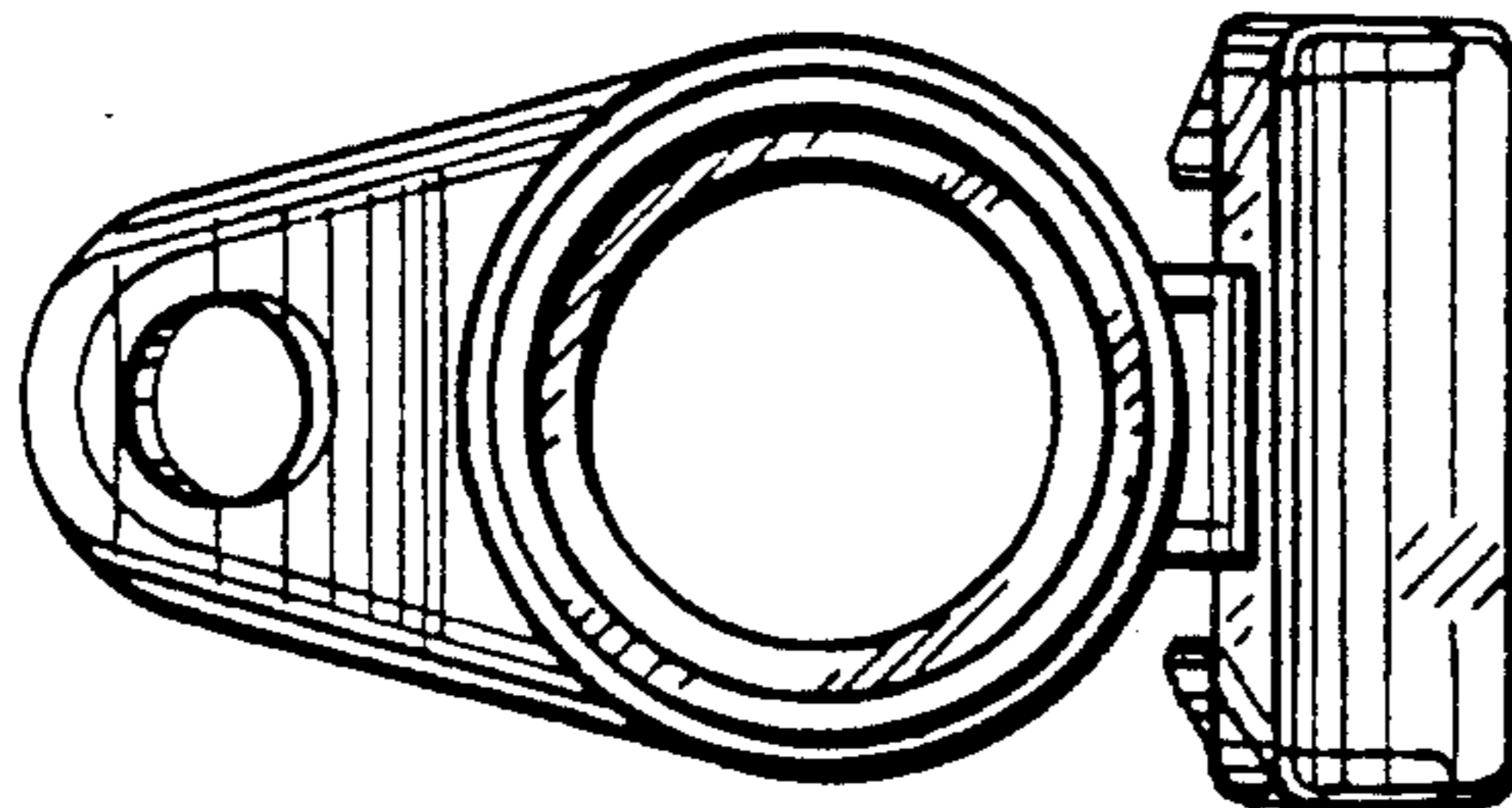
FIG. 4 is a rear elevational view thereof; and,

FIG. 5 is a bottom plan view thereof.

[56] References Cited

U.S. PATENT DOCUMENTS

D. 194,900	3/1963	Knight	D7/398
D. 343,335	1/1994	Bach	D7/398
2,524,956	10/1950	Brunetti	239/25
2,579,769	12/1951	Tyler	239/25
2,996,257	8/1961	Elves et al.	239/25



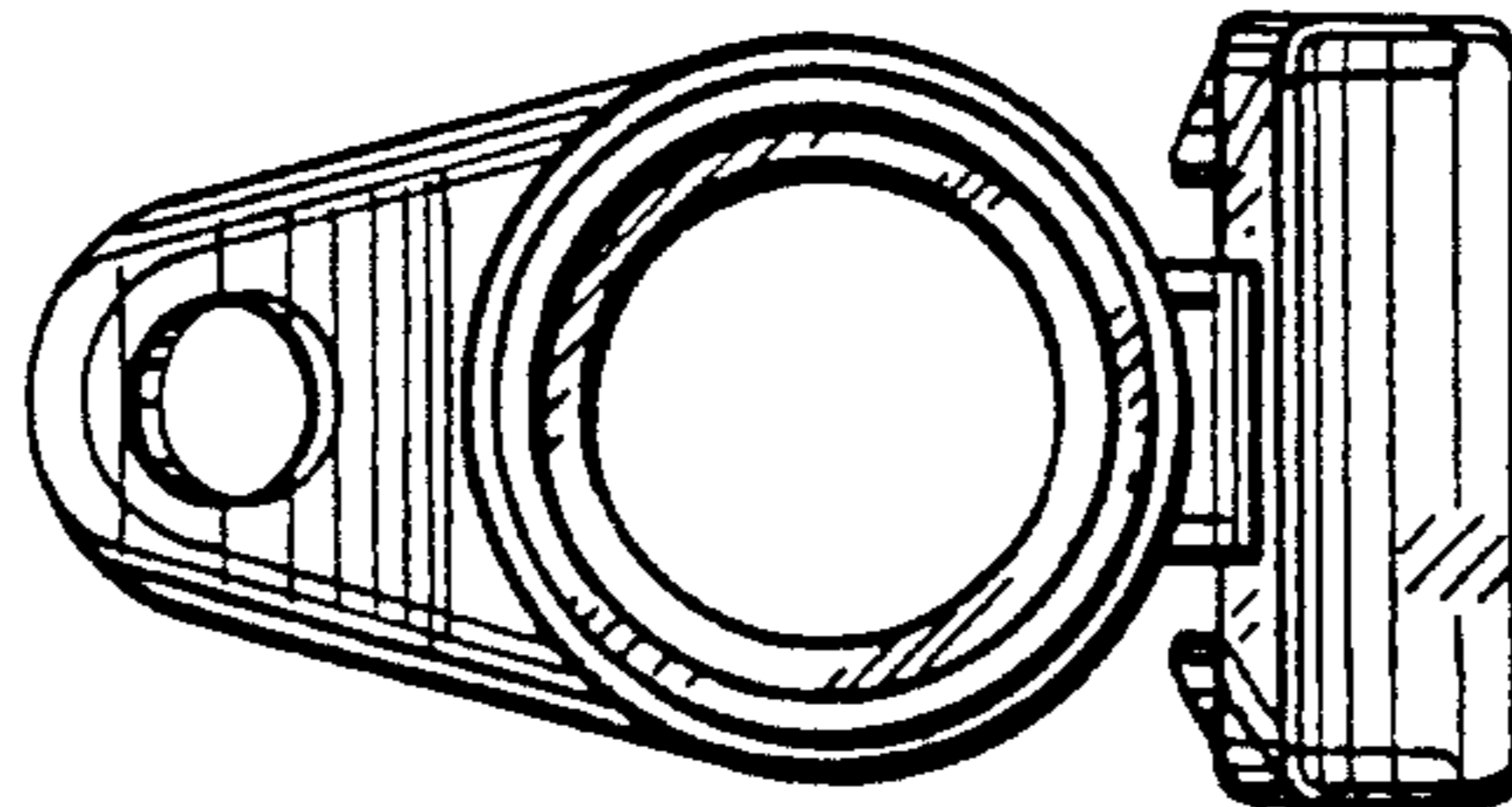


FIG. 1

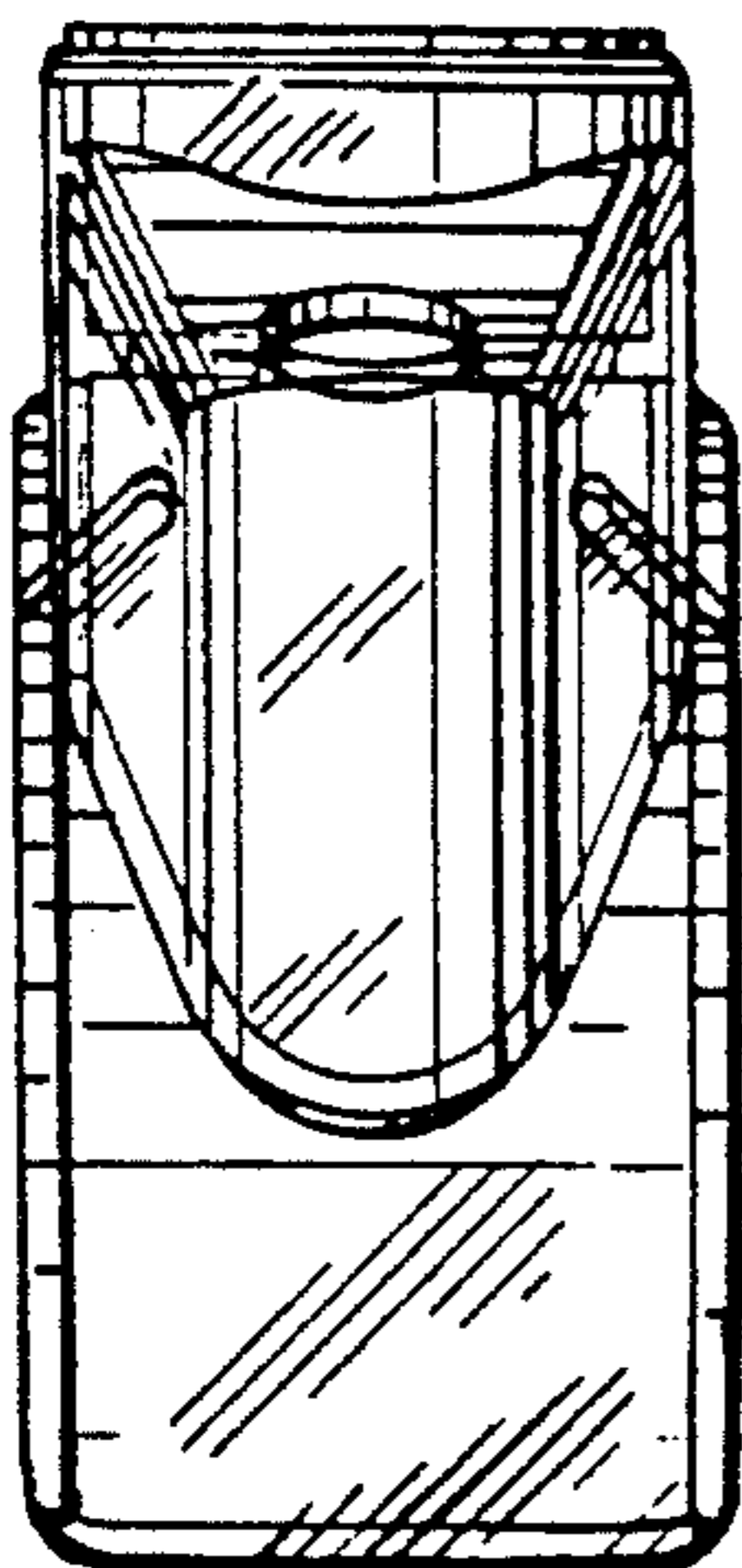


FIG. 2

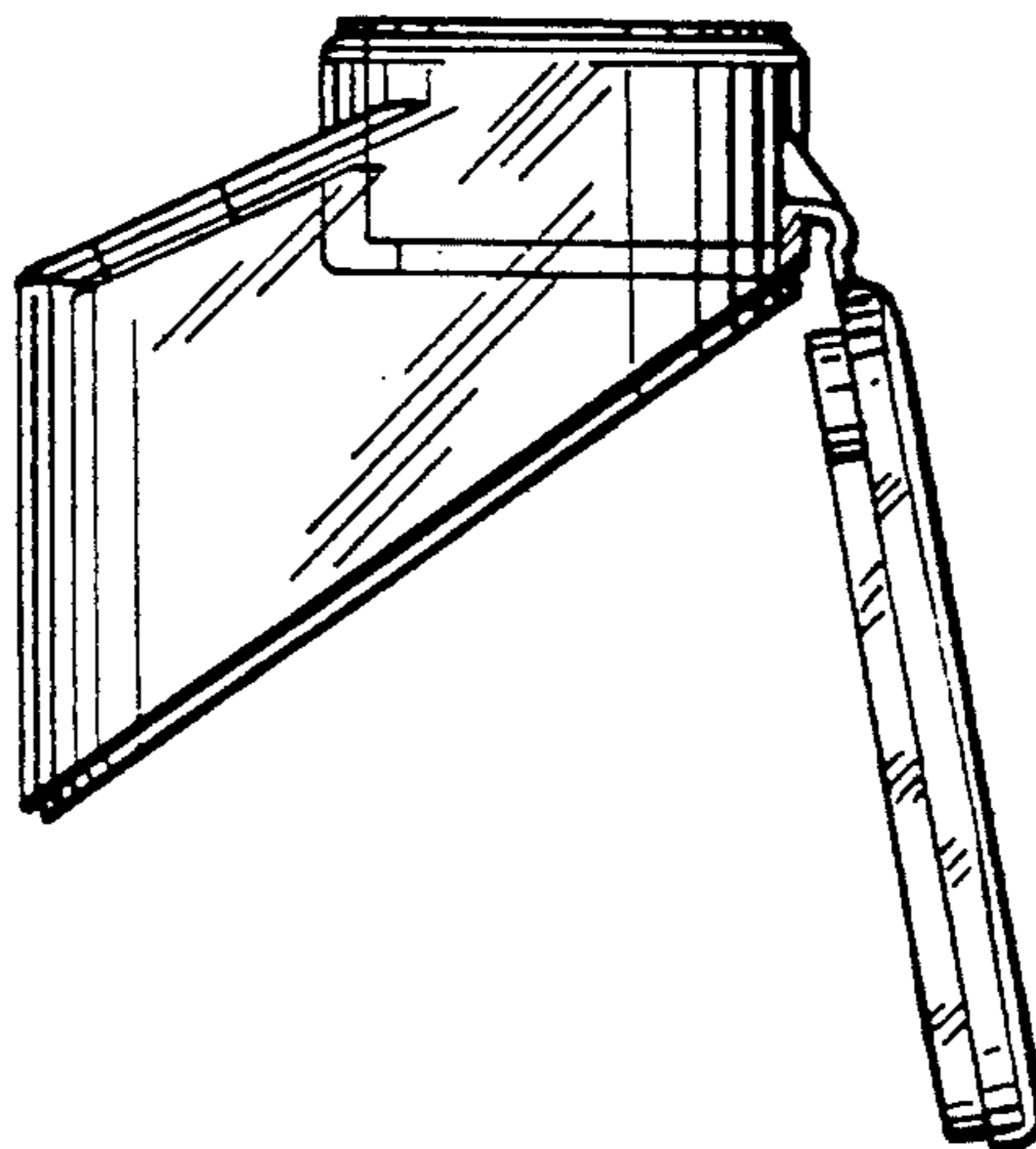


FIG. 3

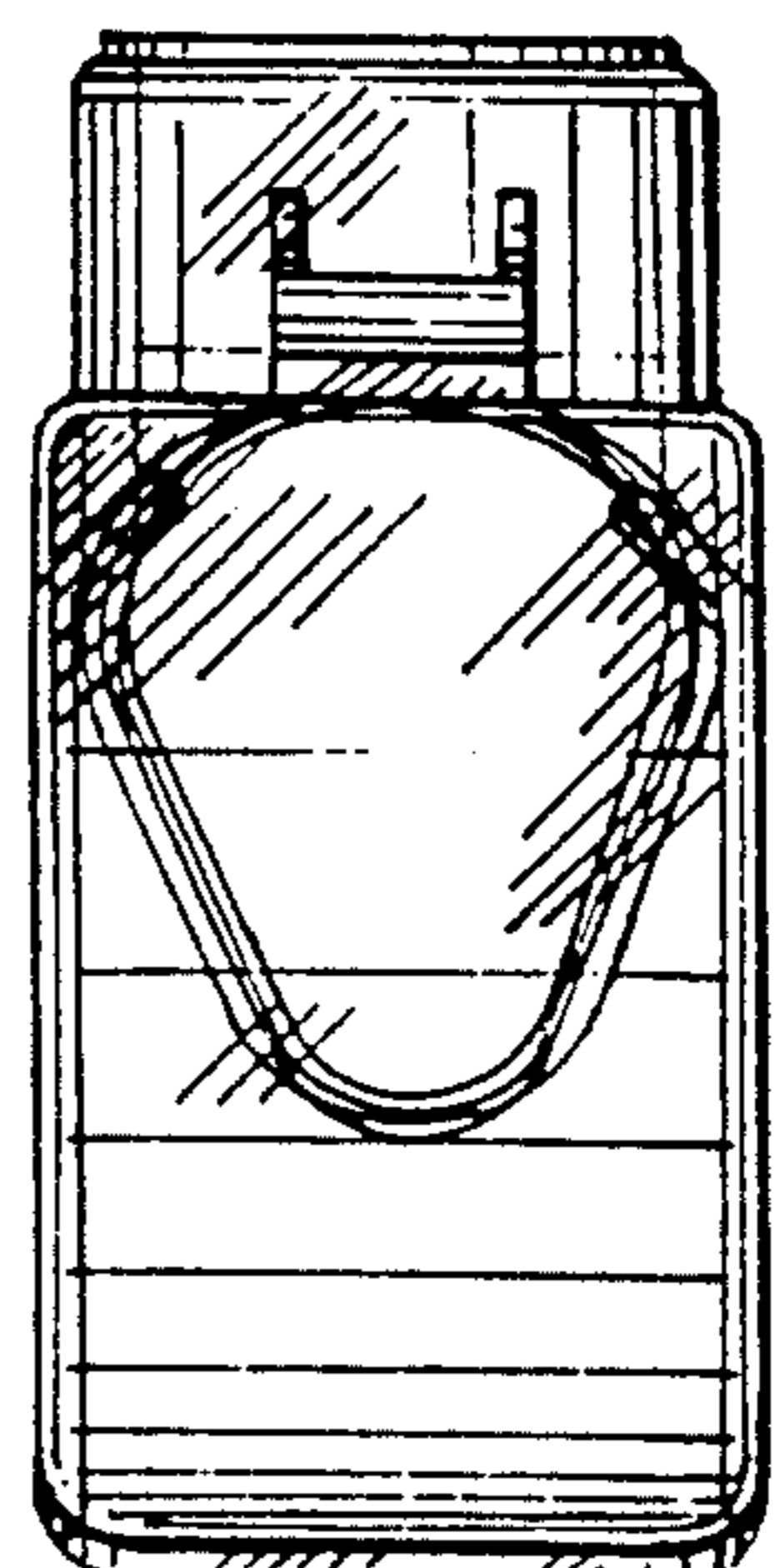


FIG. 4

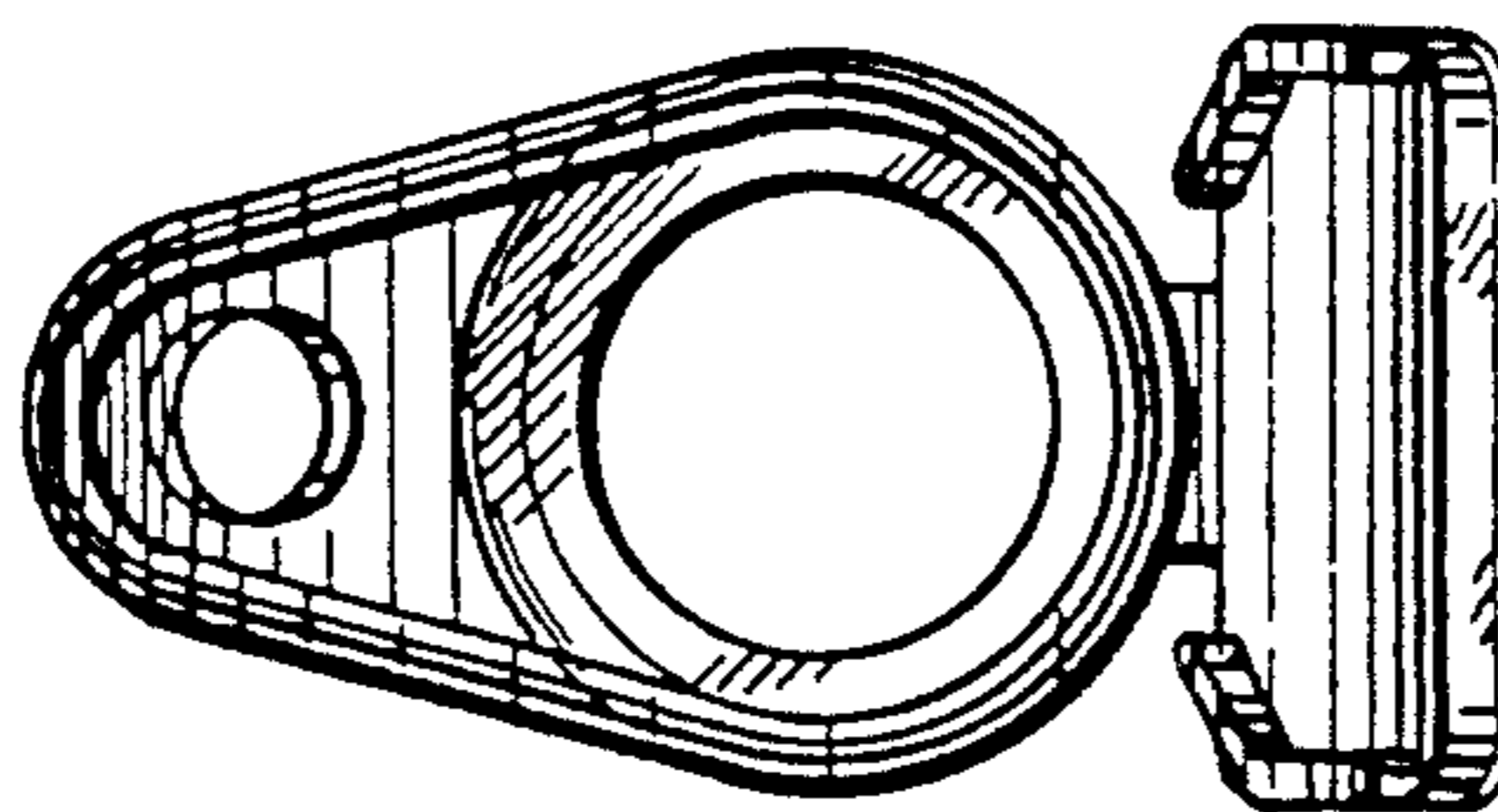


FIG. 5