



US00D347759S

# United States Patent [19]

[11] Patent Number: **Des. 347,759**

De Felip

[45] Date of Patent: **\*\* Jun. 14, 1994**

[54] **COMBINED ESPRESSO COFFEE AND COFFEE GRINDING MACHINE SUPPORTED BY COLUMNS**

D. 335,607 5/1993 Newman ..... D7/305  
4,644,856 2/1987 Borgman ..... D7/309 X

[75] Inventor: **Aldo De Felip, Milan, Italy**  
[73] Assignee: **Breveti Gaggia S.p.A., Milan, Italy**  
[\*\*] Term: **14 Years**  
[21] Appl. No.: **801,725**  
[22] Filed: **Dec. 2, 1991**

### OTHER PUBLICATIONS

Espresso-Kaffee Center by Siemens/Schöner Wohnen  
Nov. 1982.  
Caffee Concerto Forms No. 5 p. 66 Jan. 1984.

*Primary Examiner*—Alan P. Douglas  
*Assistant Examiner*—M. N. Pandozzi  
*Attorney, Agent, or Firm*—Harness, Dickey & Pierce

### [30] Foreign Application Priority Data

Sep. 27, 1991 [IT] Italy ..... MI910000699

[52] U.S. Cl. .... **D7/305; D7/309; D7/310**

[58] Field of Search ..... **D7/300, 301, 305, 306, D7/307, 308, 309, 310, 311, 312, 313, 373; 99/295, 293, 290**

### [57] CLAIM

The ornamental design for a combined espresso coffee and coffee grinding machine supported by columns, as shown and described.

### [56] References Cited

#### U.S. PATENT DOCUMENTS

D. 148,347 1/1940 Blickman ..... D7/300  
D. 298,722 11/1988 Nomura ..... D7/305  
D. 299,999 1/1986 Pandolfi ..... D7/311 X

### DESCRIPTION

FIG. 1 is a front perspective view of a combined espresso coffee and coffee grinding machine supported by columns;

FIG. 2 is a right side elevational view thereof;

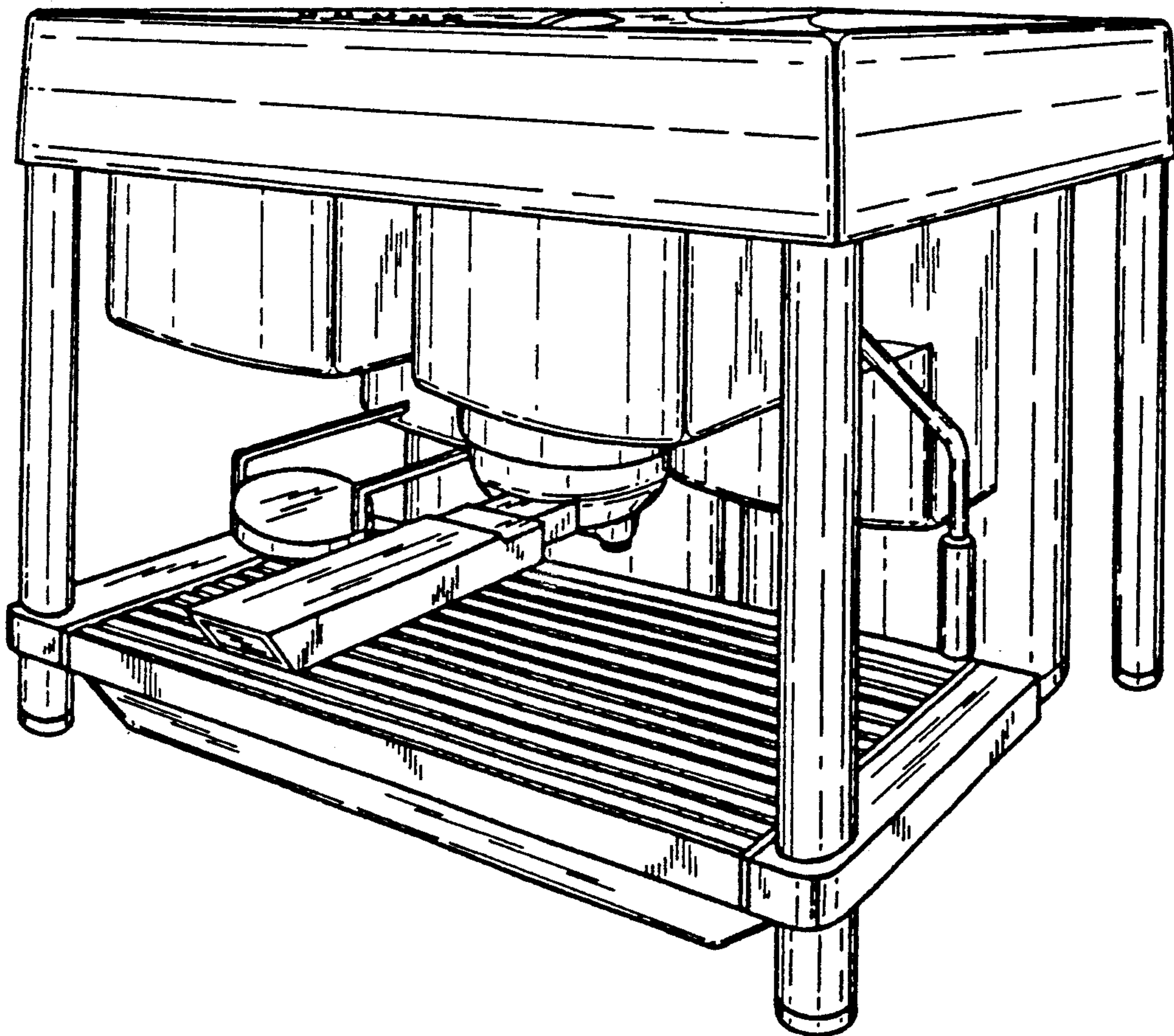
FIG. 3 is a left side elevational view thereof;

FIG. 4 is a front elevational view thereof;

FIG. 5 is a top plan view thereof;

FIG. 6 is a bottom plan view thereof; and,

FIG. 7 is a rear elevational view thereof.



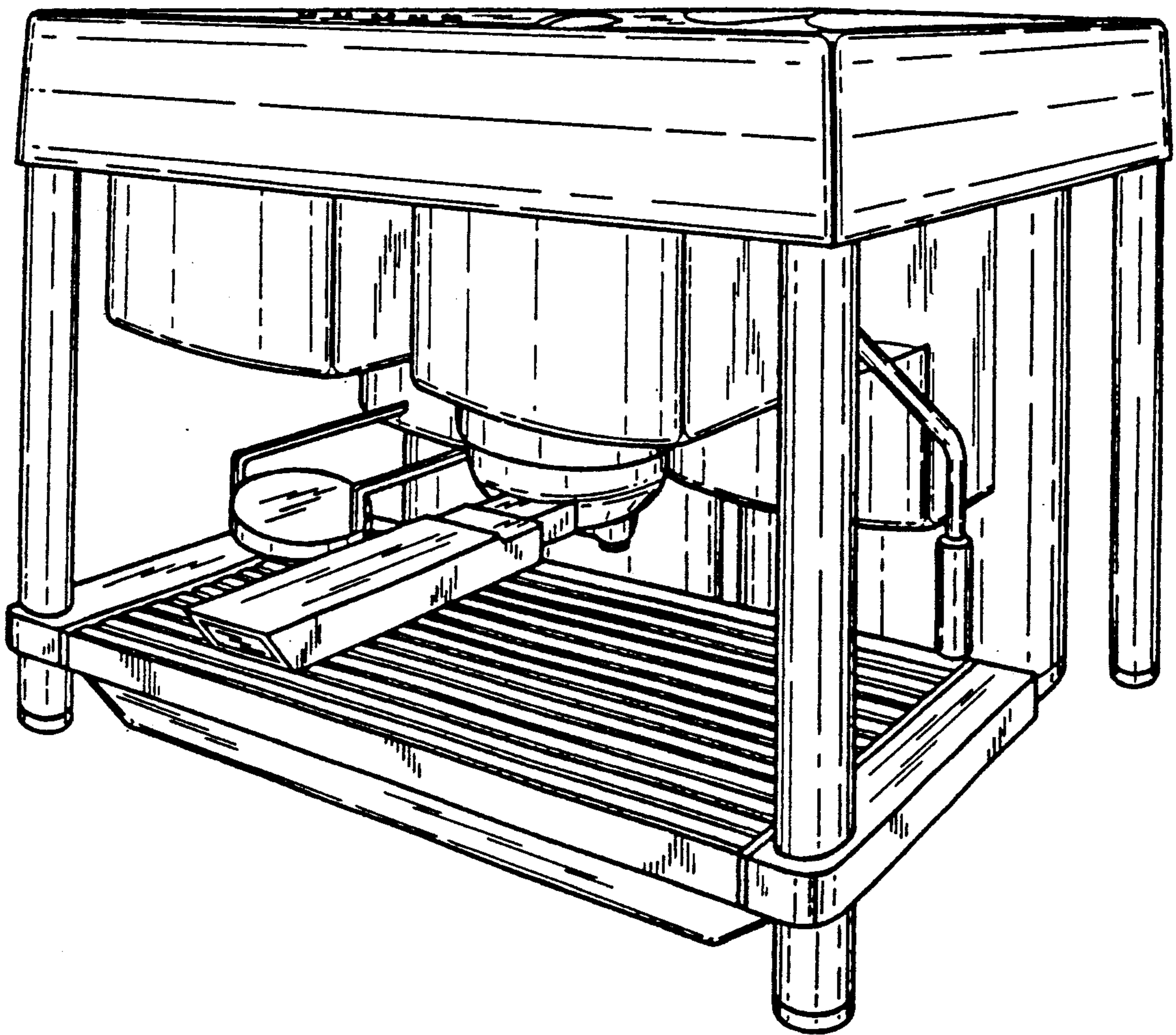


FIG. 1

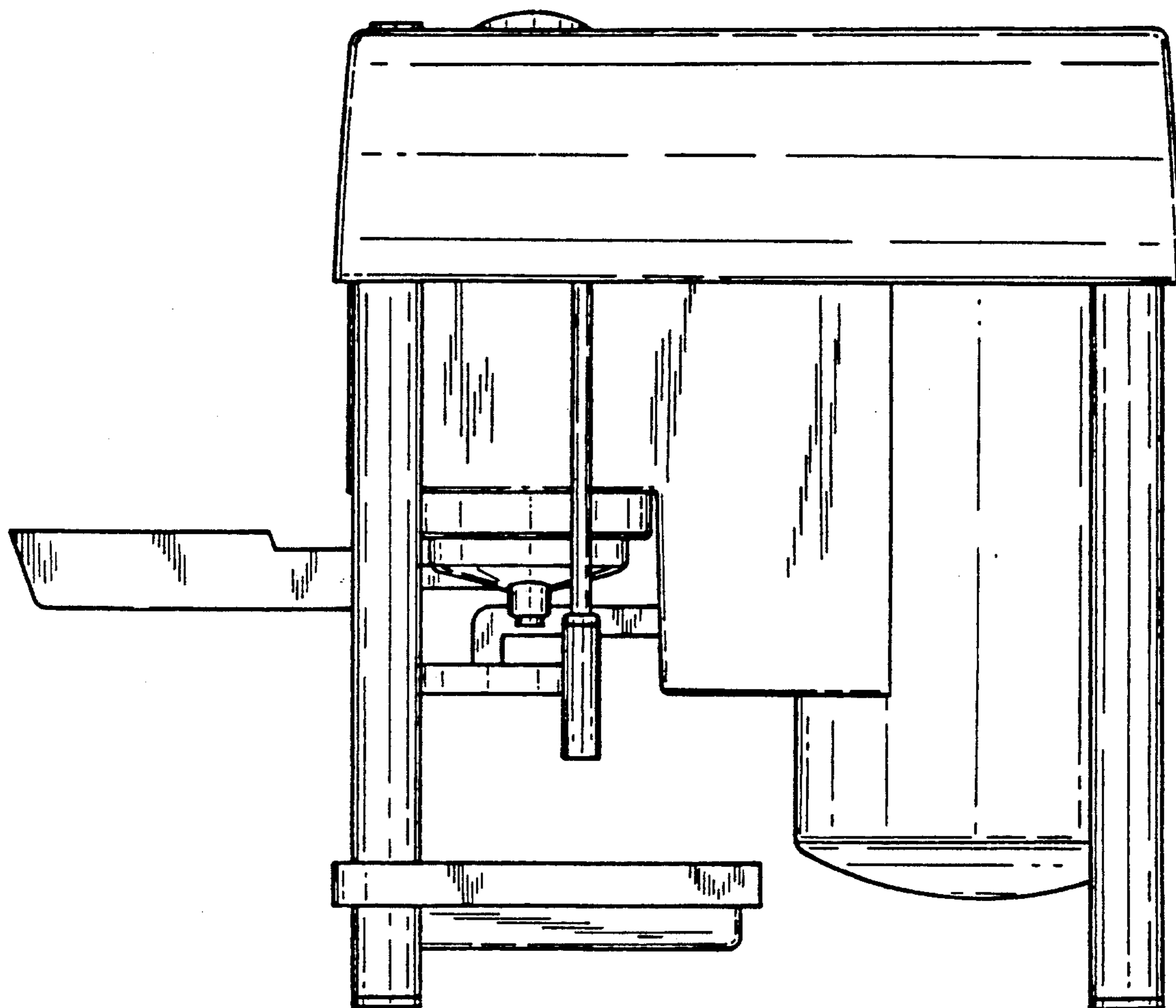


FIG. 2

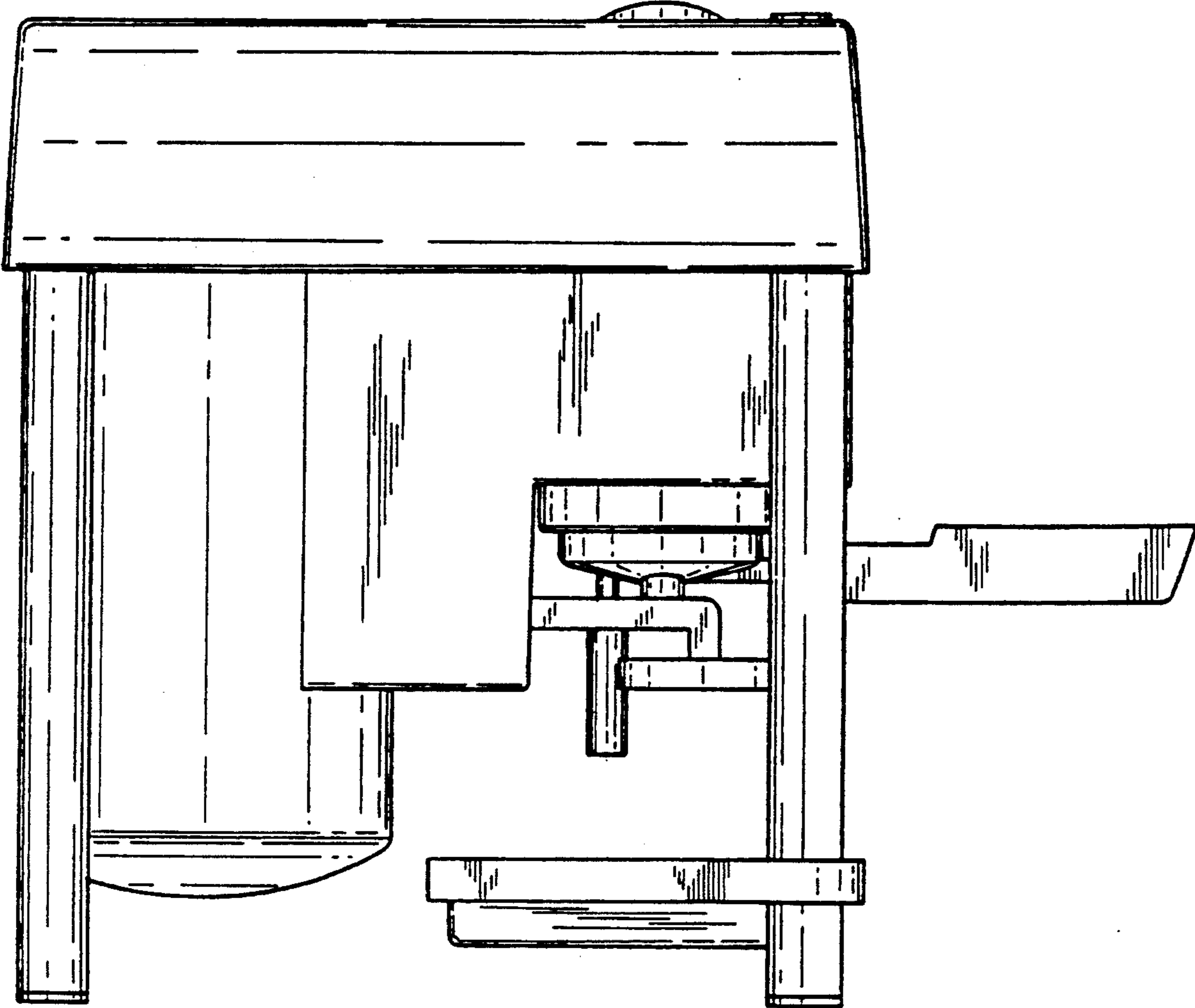


FIG. 3

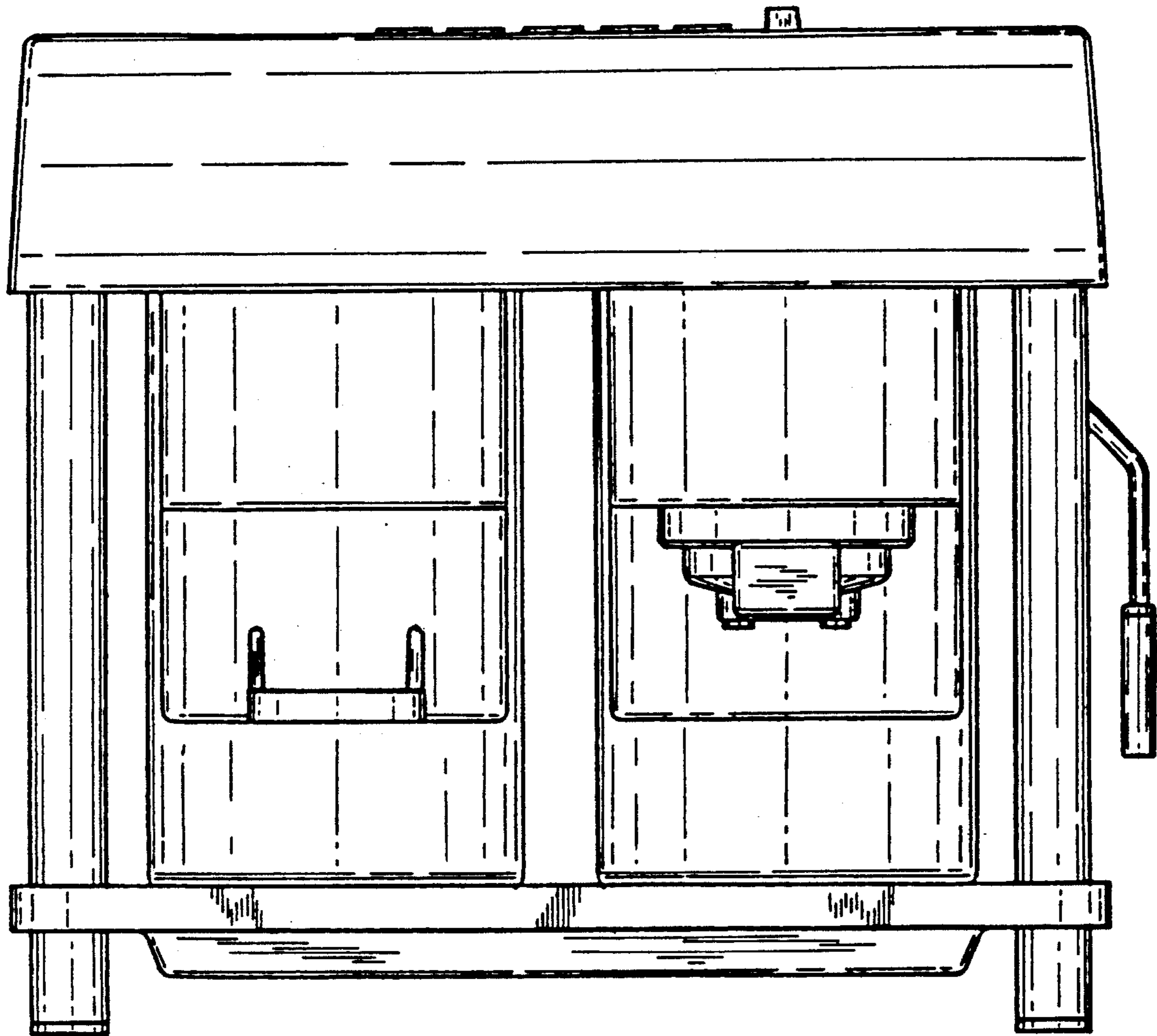


FIG. 4

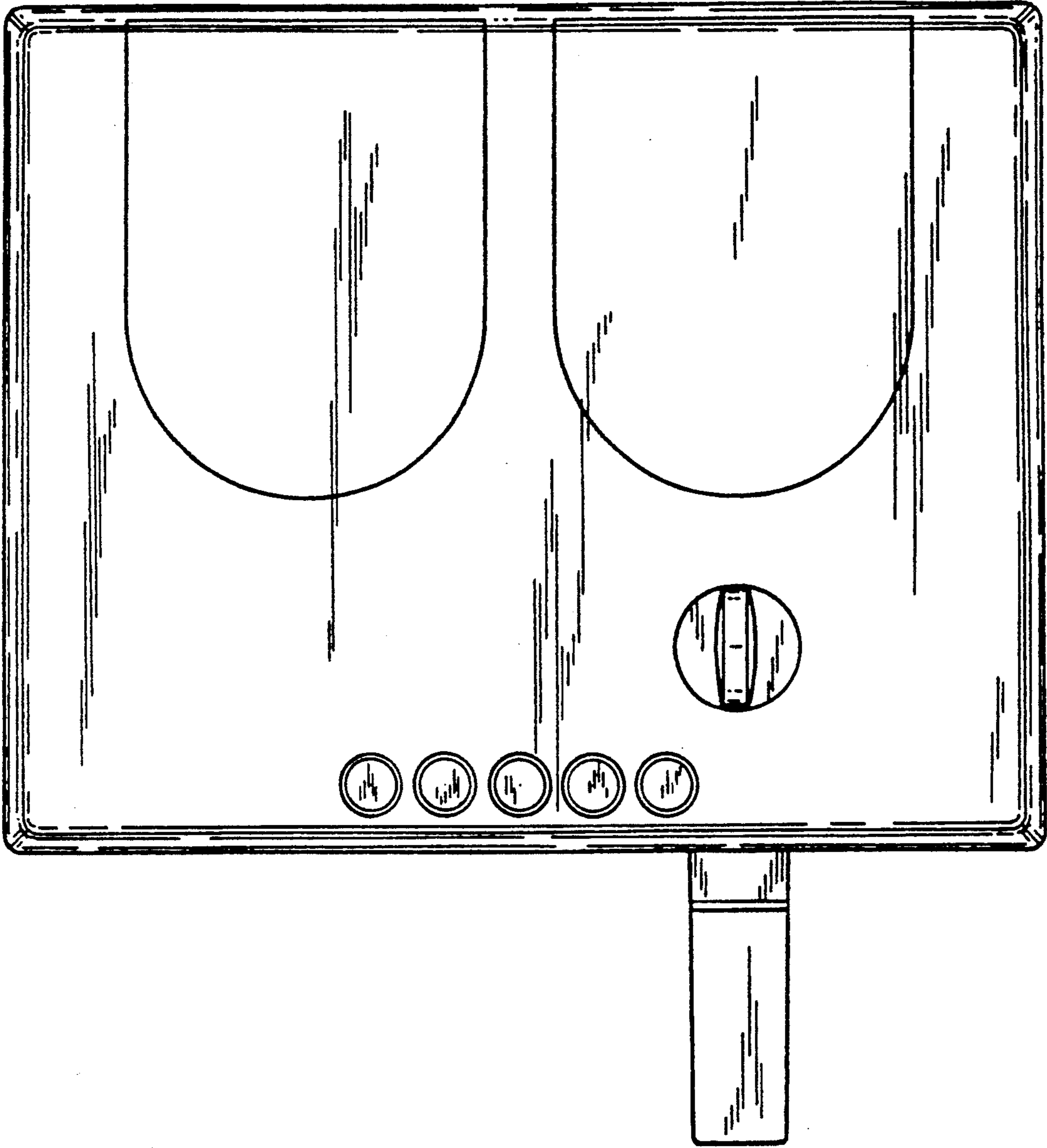


FIG. 5

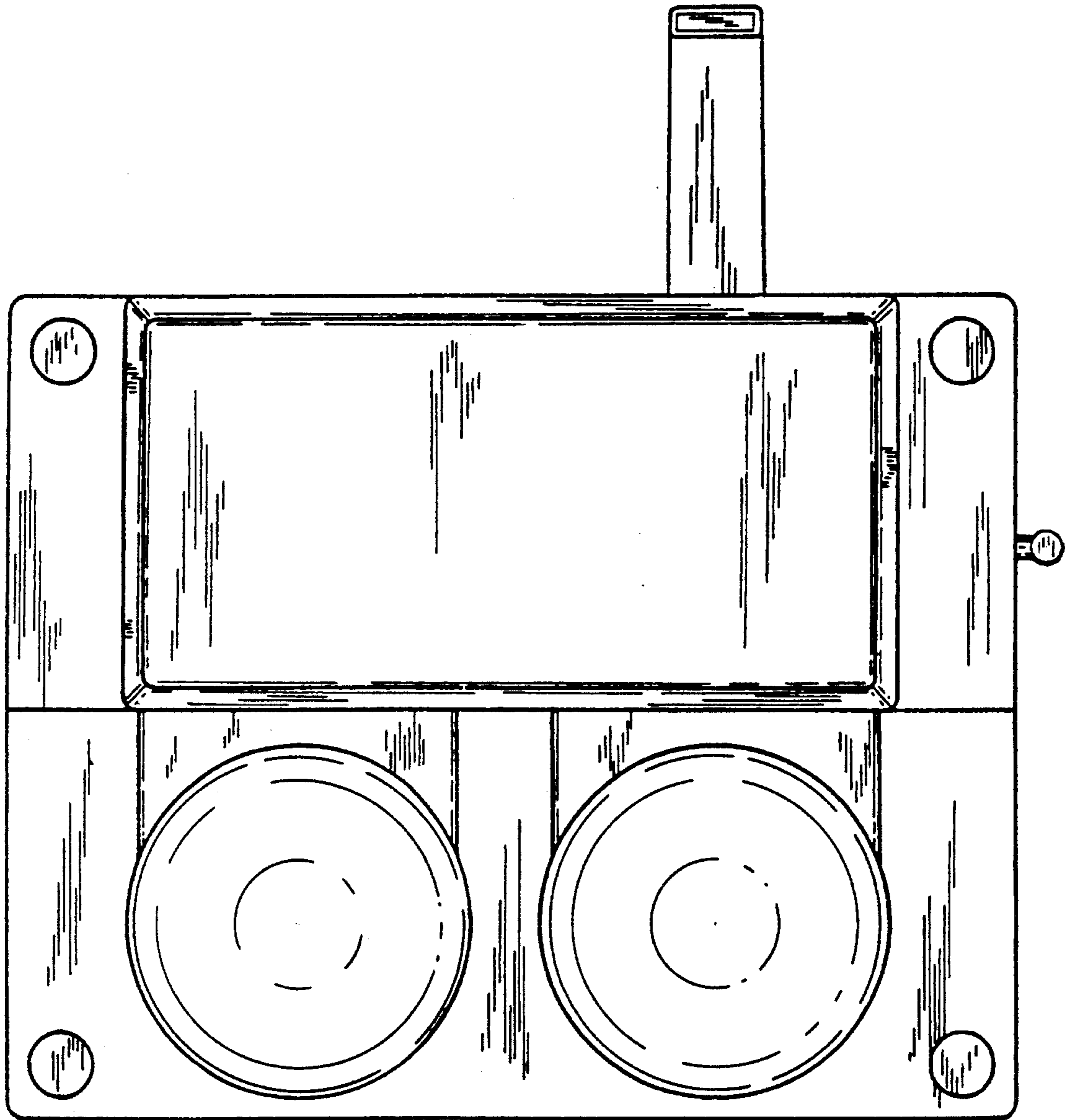


FIG. 6

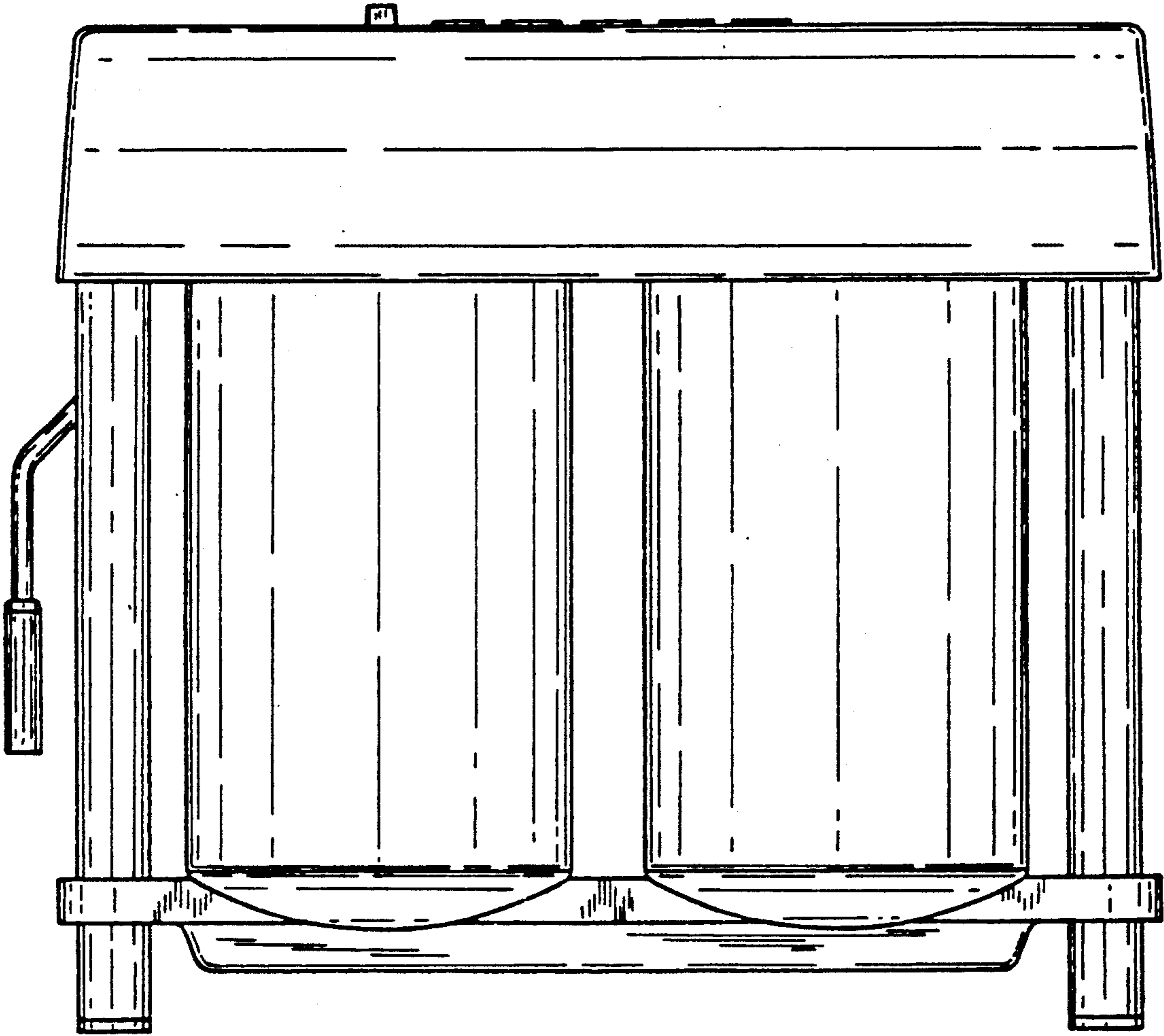


FIG. 7