



US00D347755S

United States Patent [19]

Houston

[11] Patent Number: Des. 347,755

[45] Date of Patent: ** Jun. 14, 1994

[54] VENDING DISPLAY BAR

[76] Inventor: William V. Houston, 5614 Brandywine Creek Rd., Columbia, Mo. 65201

[**] Term: 14 Years

[21] Appl. No.: 938,476

[22] Filed: Aug. 31, 1992

[52] U.S. Cl. D6/481; D6/439; D6/474

[58] Field of Search D6/481, 474, 411, 414, D6/432, 439; 312/140.1, 140.2, 239; D25/16, 58

[56] **References Cited**

U.S. PATENT DOCUMENTS

- D. 118,455 1/1940 Shelton et al. D6/474 X
- D. 257,093 9/1980 Brittner D6/481

- D. 258,477 3/1981 Pittman D6/481 X
- D. 274,203 6/1984 Everett D6/481
- D. 278,583 4/1985 Koguma D6/474 X
- 3,169,811 2/1965 Stewart 312/140.1

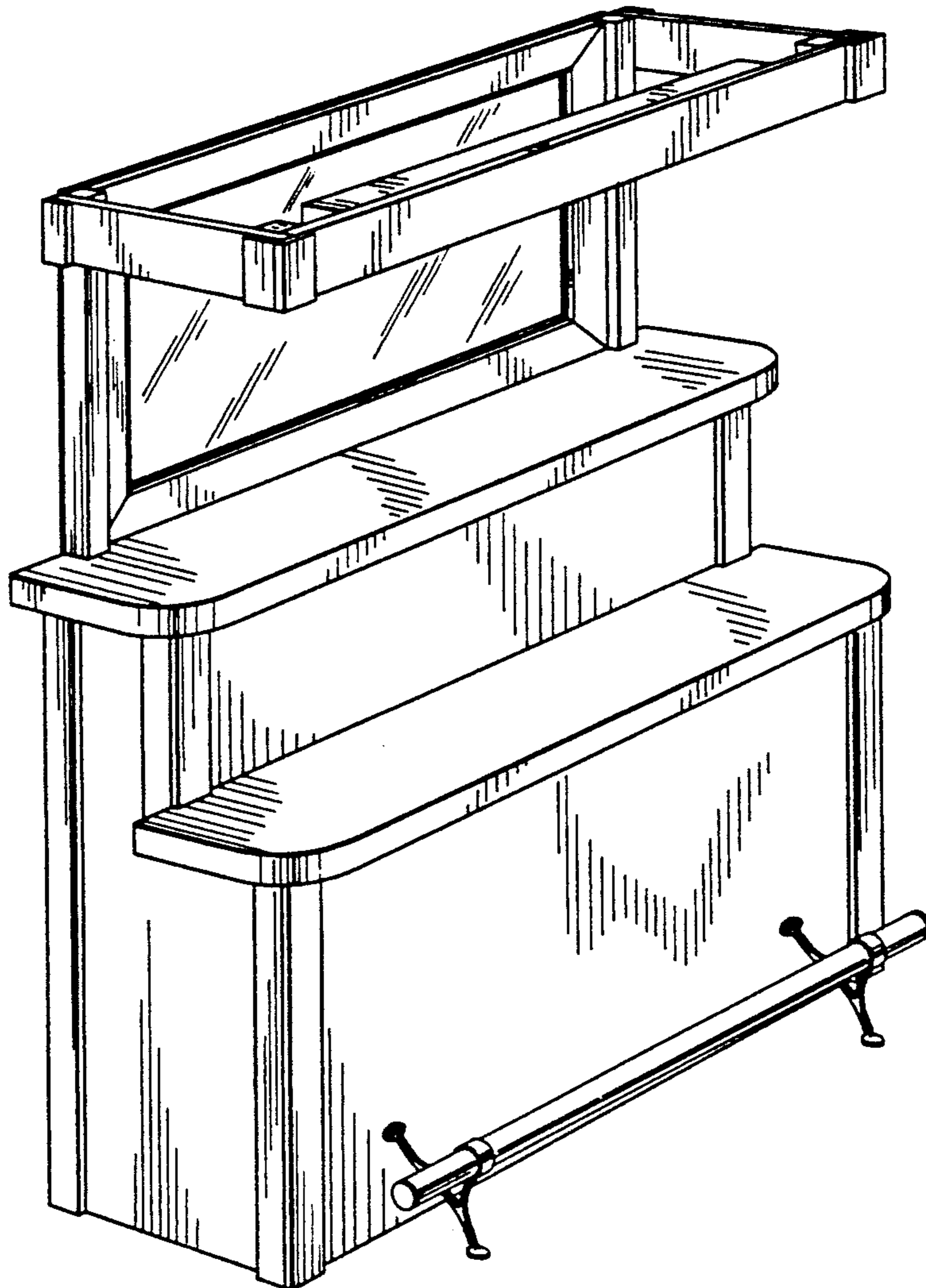
Primary Examiner—Nelson C. Holtje
Assistant Examiner—J. E. Seeger
Attorney, Agent, or Firm—Kokjer, Kircher, Bowman & Johnson

[57] **CLAIM**

The ornamental design for a vending display bar, as shown and described.

DESCRIPTION

FIG. 1 is a perspective view of a vending display according to the present invention; FIG. 2 is a front elevation view thereof; FIG. 3 is a right end elevation view with the opposite end being a mirror image thereof; FIG. 4 is a top plan view thereof; and, FIG. 5 is a rear elevational view thereof.



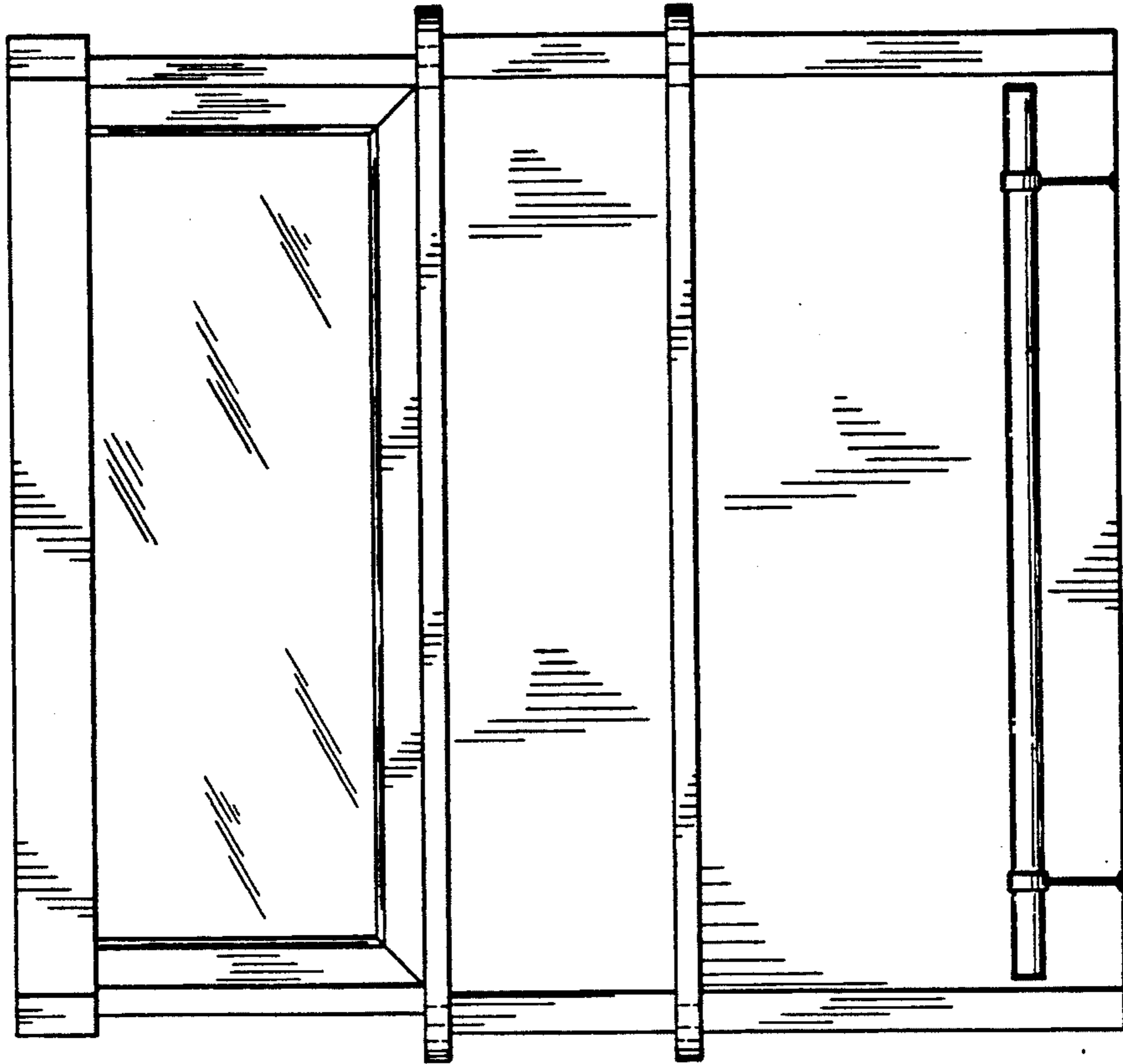


Fig. 2.

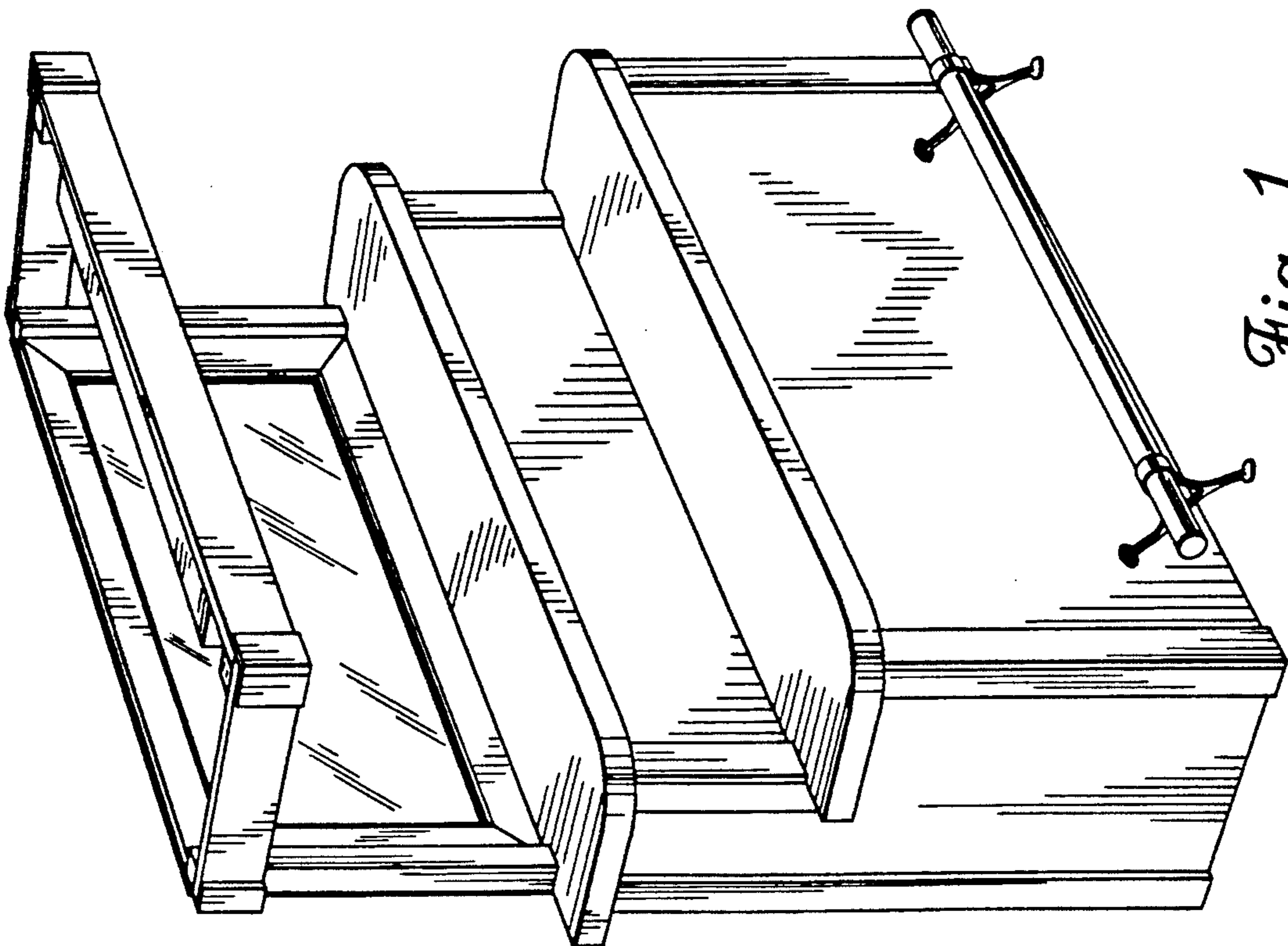


Fig. 1.

Fig. 4.

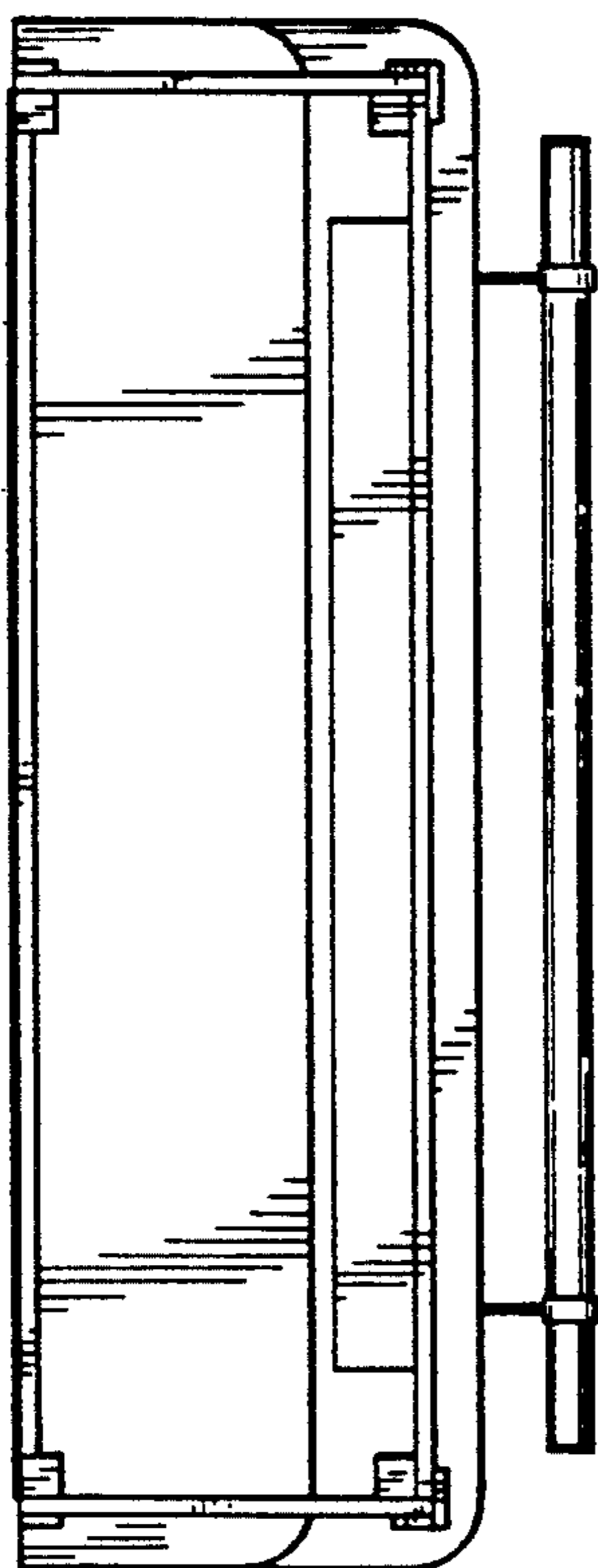


Fig. 5.

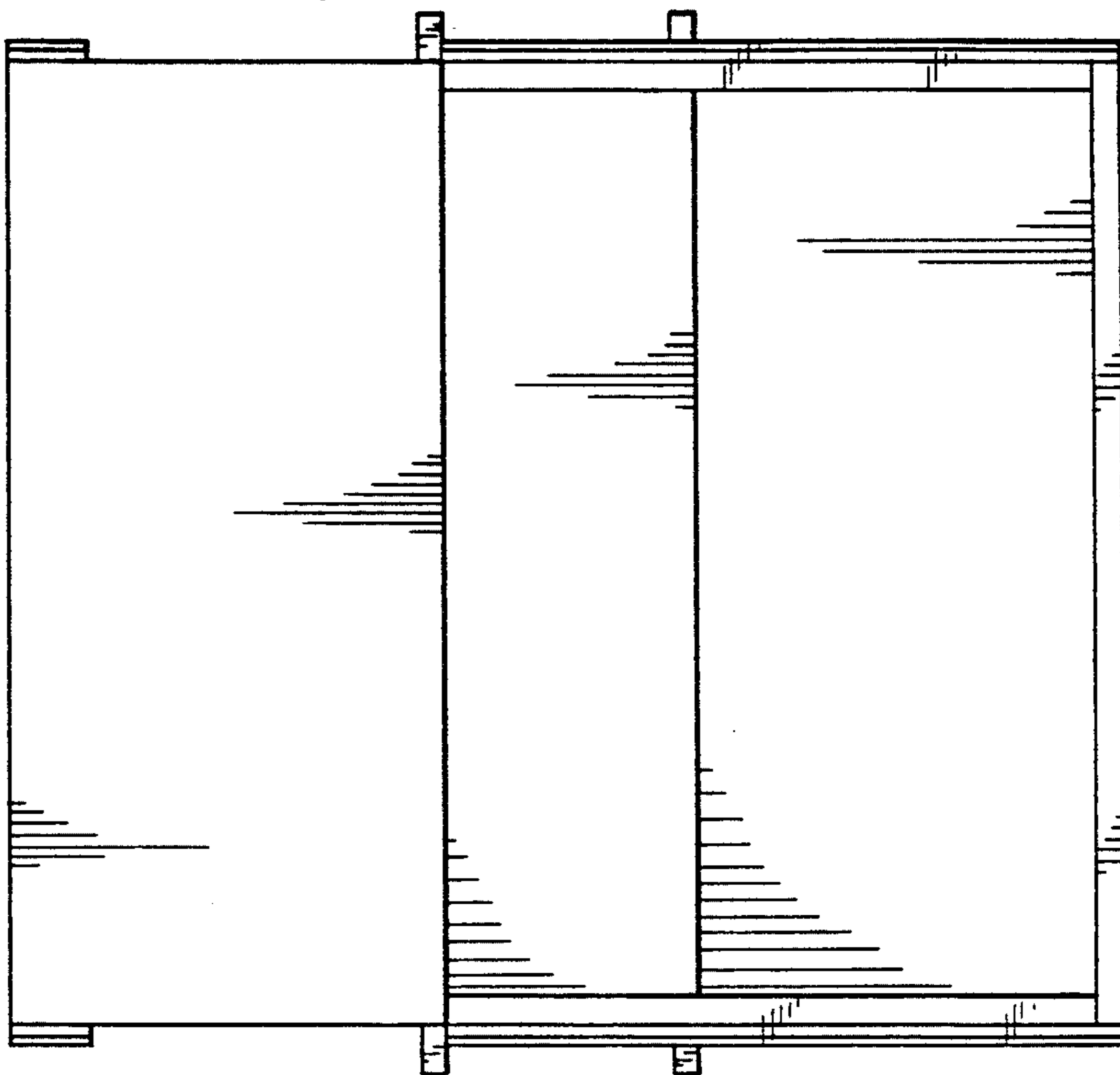


Fig. 3.

