



US00D347746S

United States Patent [19]

[11] Patent Number: **Des. 347,746**

Gibbs

[45] Date of Patent: **** Jun. 14, 1994**

[54] CHAIR

[75] Inventor: **Terence Gibbs, Grandview, N.Y.**

[73] Assignee: **Omni Products International, Inc., Richmond, Va.**

[**] Term: **14 Years**

[21] Appl. No.: **13,097**

[22] Filed: **Sep. 17, 1993**

Related U.S. Application Data

[62] Division of Ser. No. 649,882, Jan. 31, 1991.

[52] U.S. Cl. **D6/373; D6/379**

[58] Field of Search **D6/334, 368, 369, 370, D6/371, 373, 374, 375, 376, 379, 500, 501, 502; 297/419, 445, 446, 457**

[56] References Cited

U.S. PATENT DOCUMENTS

D. 222,450	10/1971	Brook	D6/373
D. 244,646	6/1977	Uchida	D6/368 X
D. 282,027	1/1986	Schultz	D6/373
D. 291,391	8/1987	Arthur, Jr.	D6/379 X
D. 291,632	9/1987	Zola	D6/379
D. 298,787	12/1988	Greene	D6/379 X
D. 316,938	5/1991	Hess	D6/373
D. 323,077	1/1992	Saiger	D6/379 X

OTHER PUBLICATIONS

Ficks Reed, ©1977, 1978, p. 70, Chair #W-9025 CU in background at left.

House & Garden, Mar. 1982, p. 176 chair by Woodard at left.

House & Garden, Jun. 1984, p. 95, chair by Woodard at right.

Casual Furniture Catalog IV, 1986, Genesis V chair shown at bottom left.

Interiors, Oct. 1987, p. 44, chair by Telescope at bottom right.

Primary Examiner—Alan P. Douglas

Assistant Examiner—Gary D. Watson

Attorney, Agent, or Firm—Lerner, David, Littenberg, Krumholz & Mentlik

[57] CLAIM

The ornamental design for a chair, as shown and described.

DESCRIPTION

FIG. 1 is a perspective view looking from above of a chair showing my new design;

FIG. 2 is a right side elevational view thereof;

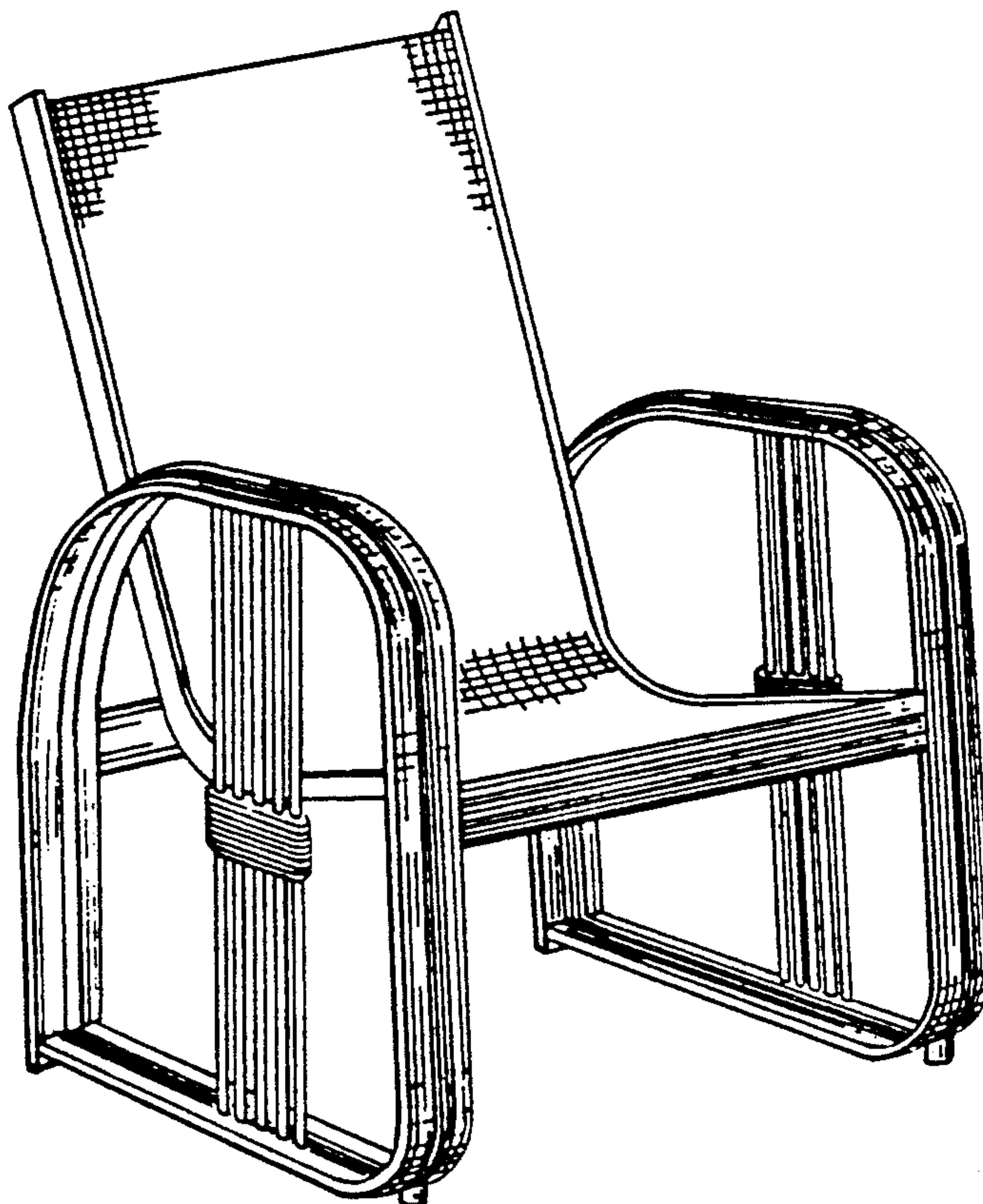
FIG. 3 is a left side elevational view thereof;

FIG. 4 is a front elevational view thereof;

FIG. 5 is a rear elevational view thereof;

FIG. 6 is a top plan view thereof; and,

FIG. 7 is a bottom plan view thereof.



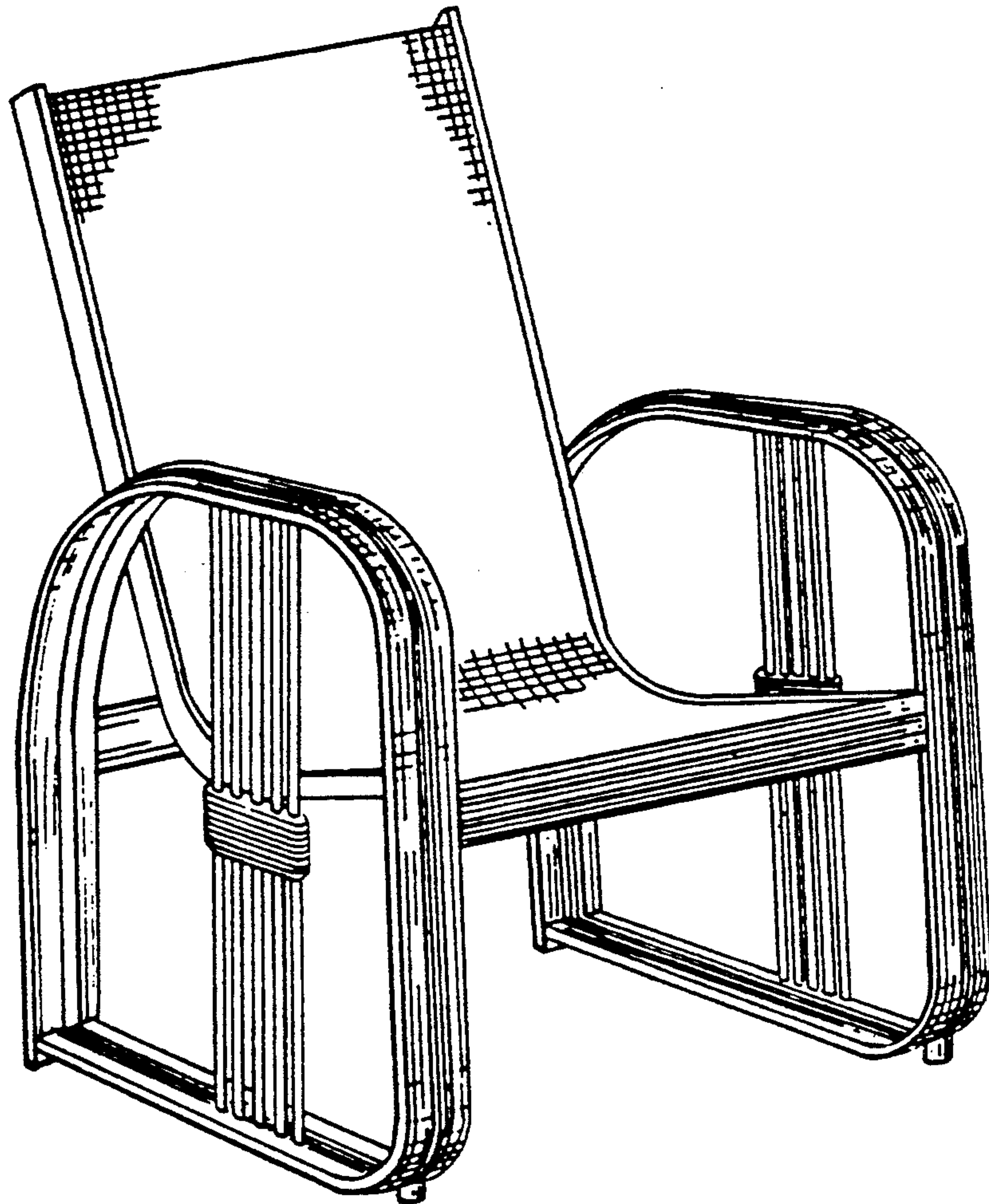


FIG. 1

FIG. 2

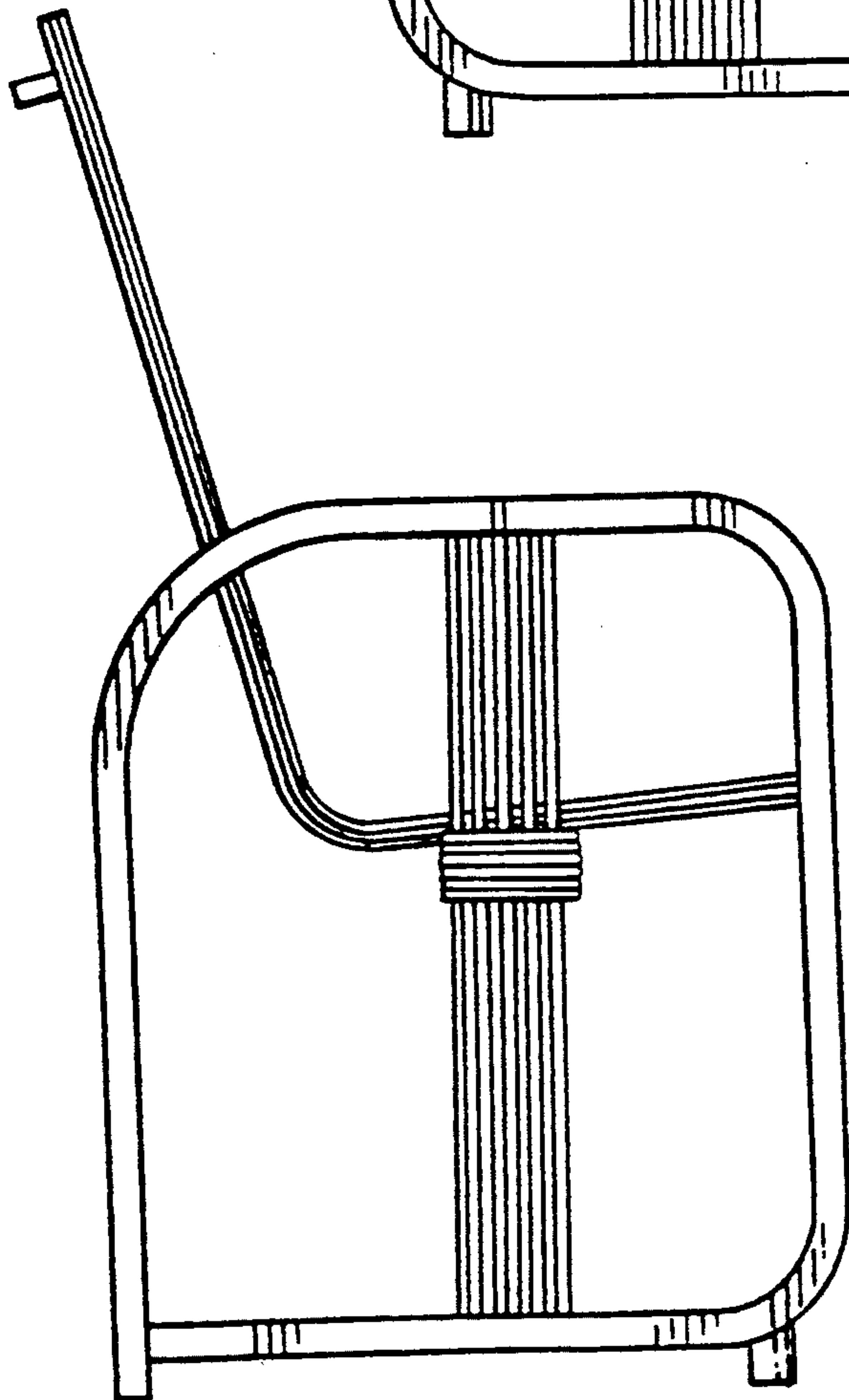
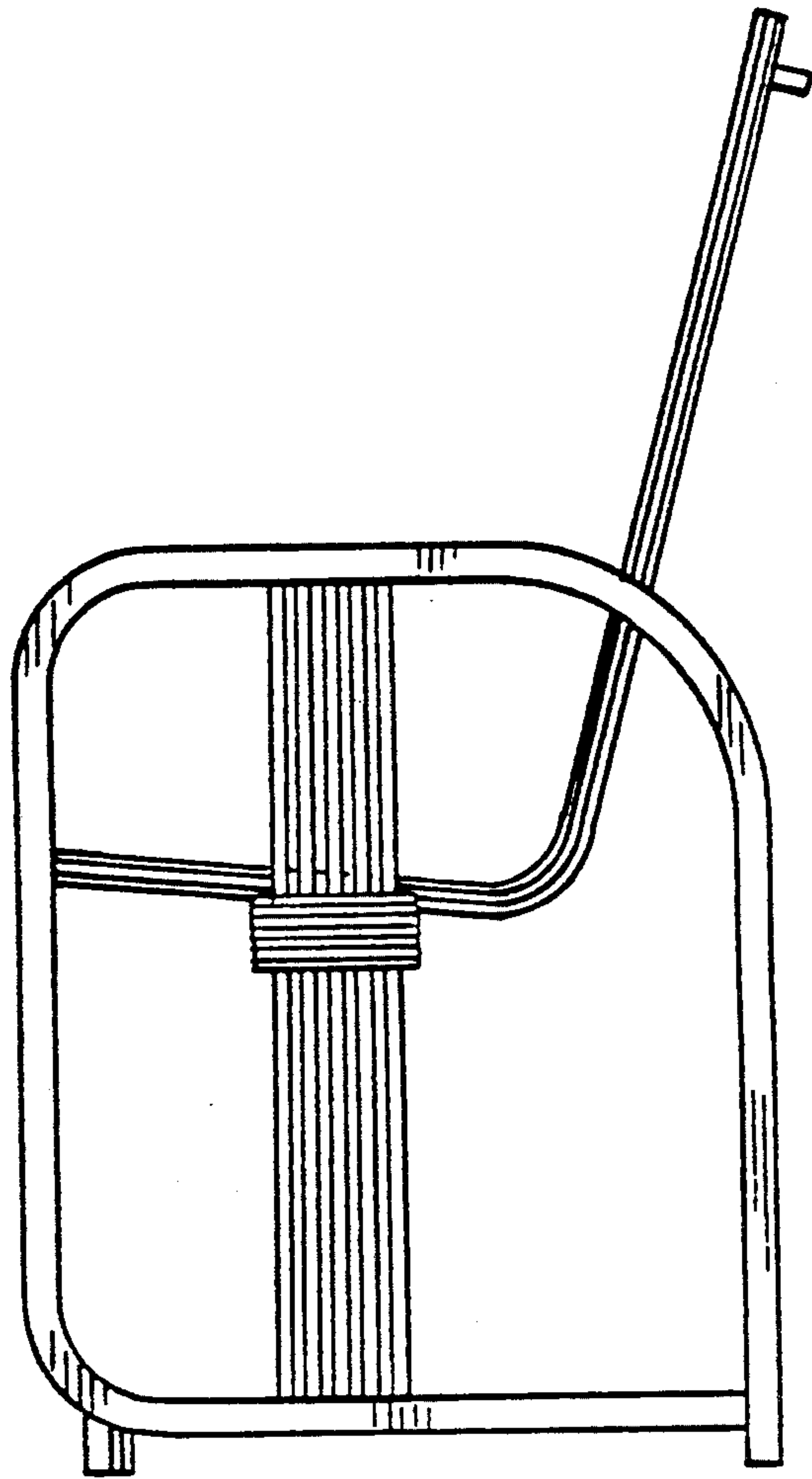


FIG. 3

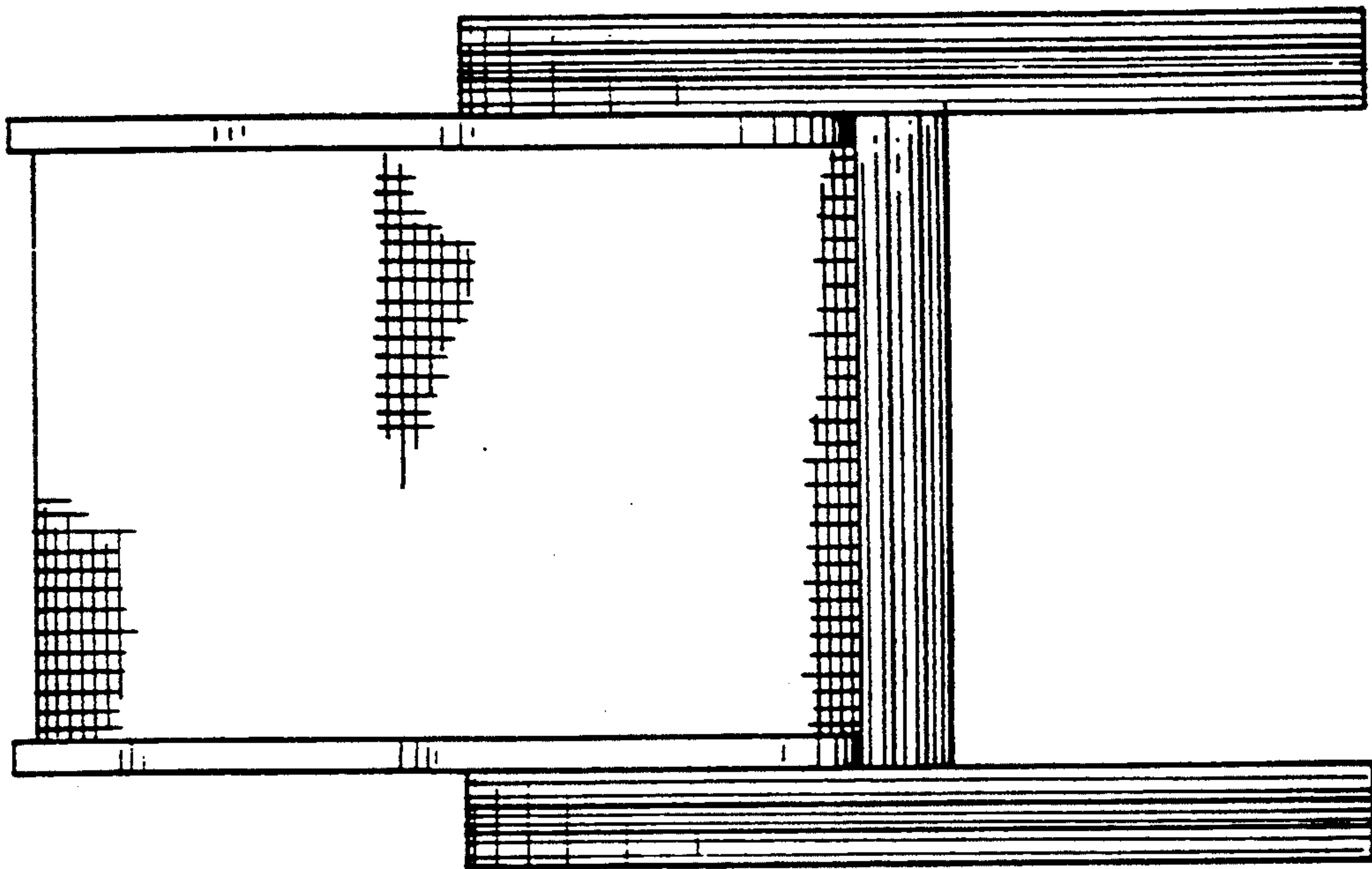


FIG. 5

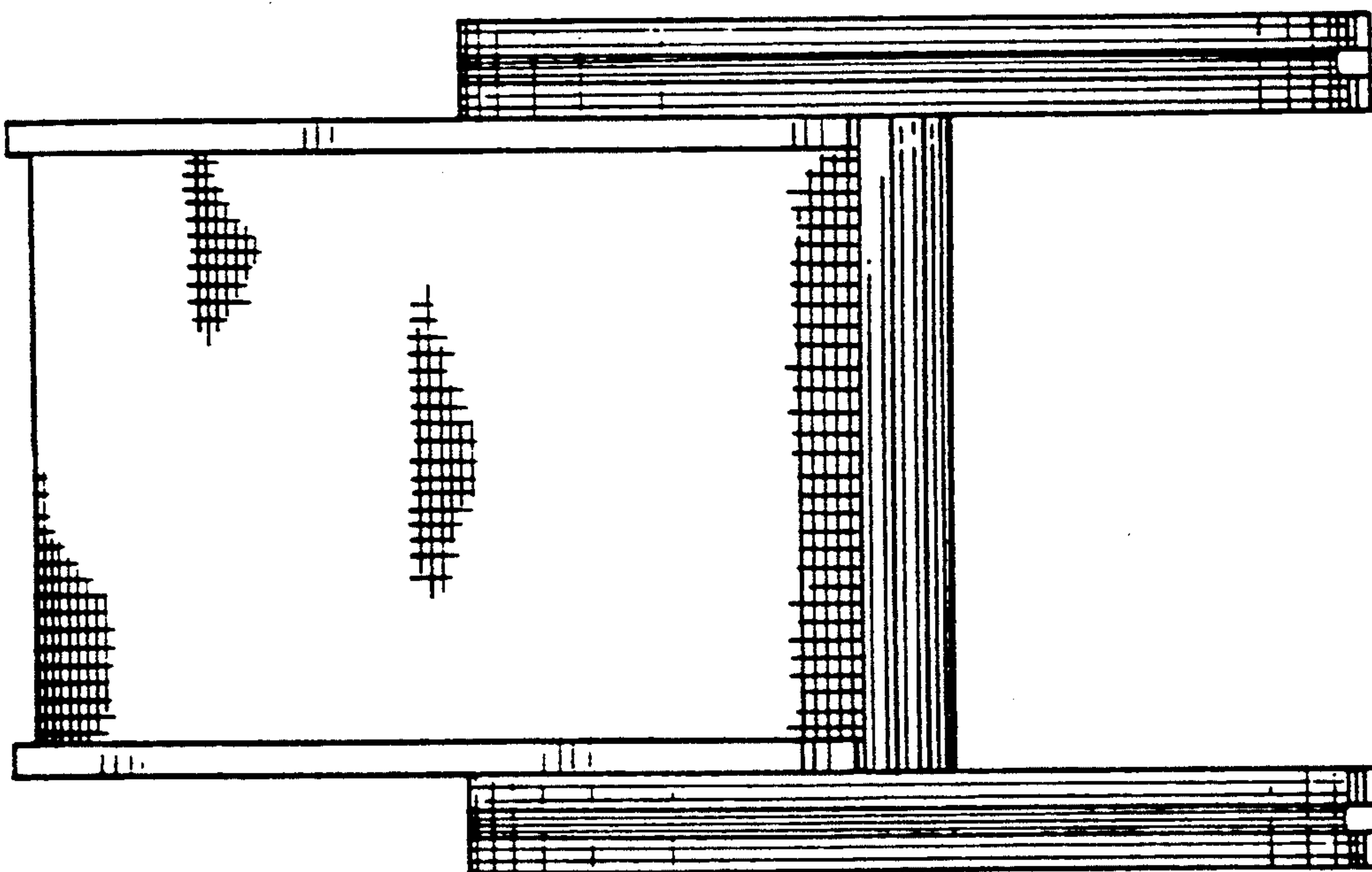


FIG. 4

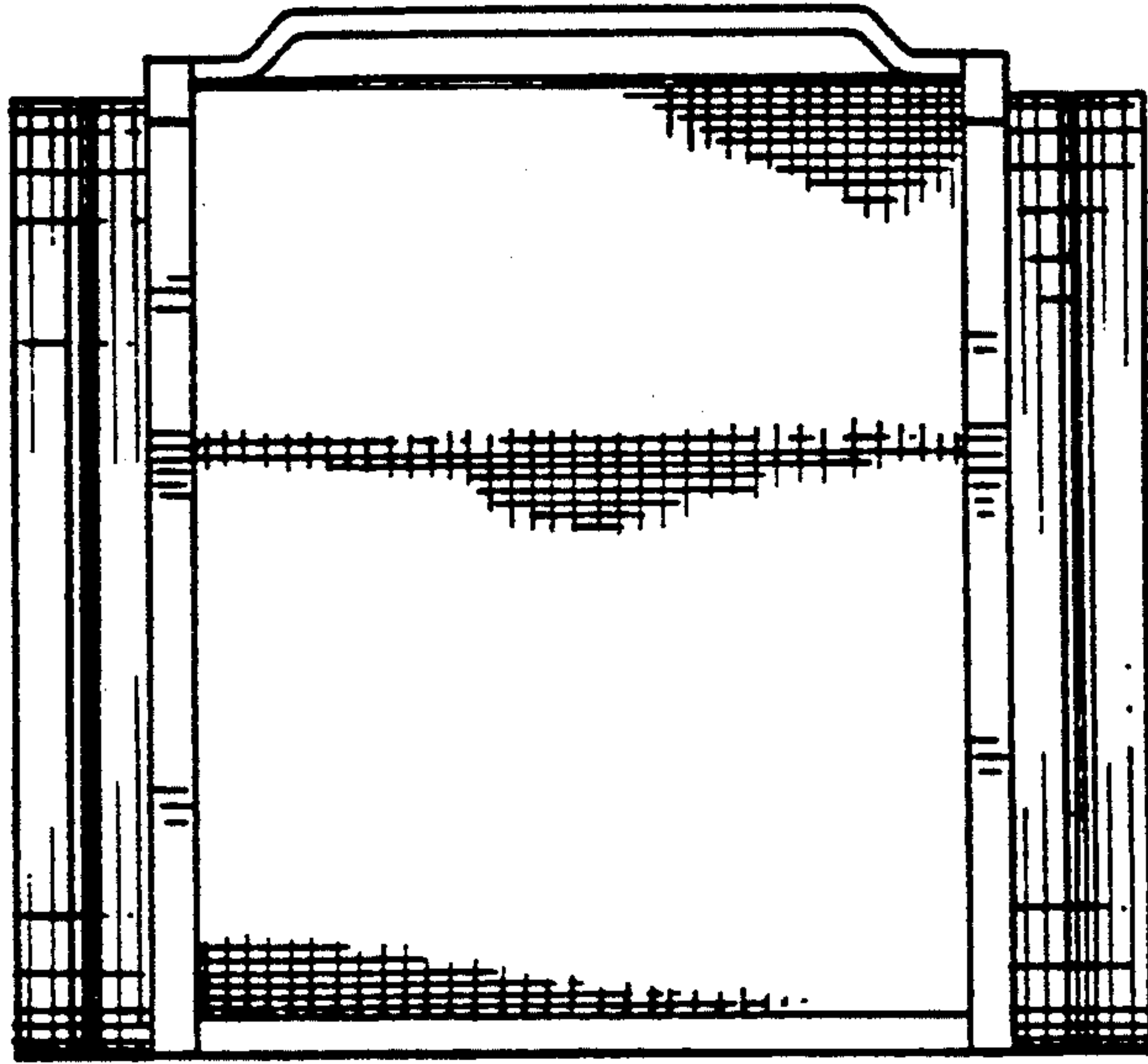


FIG. 6

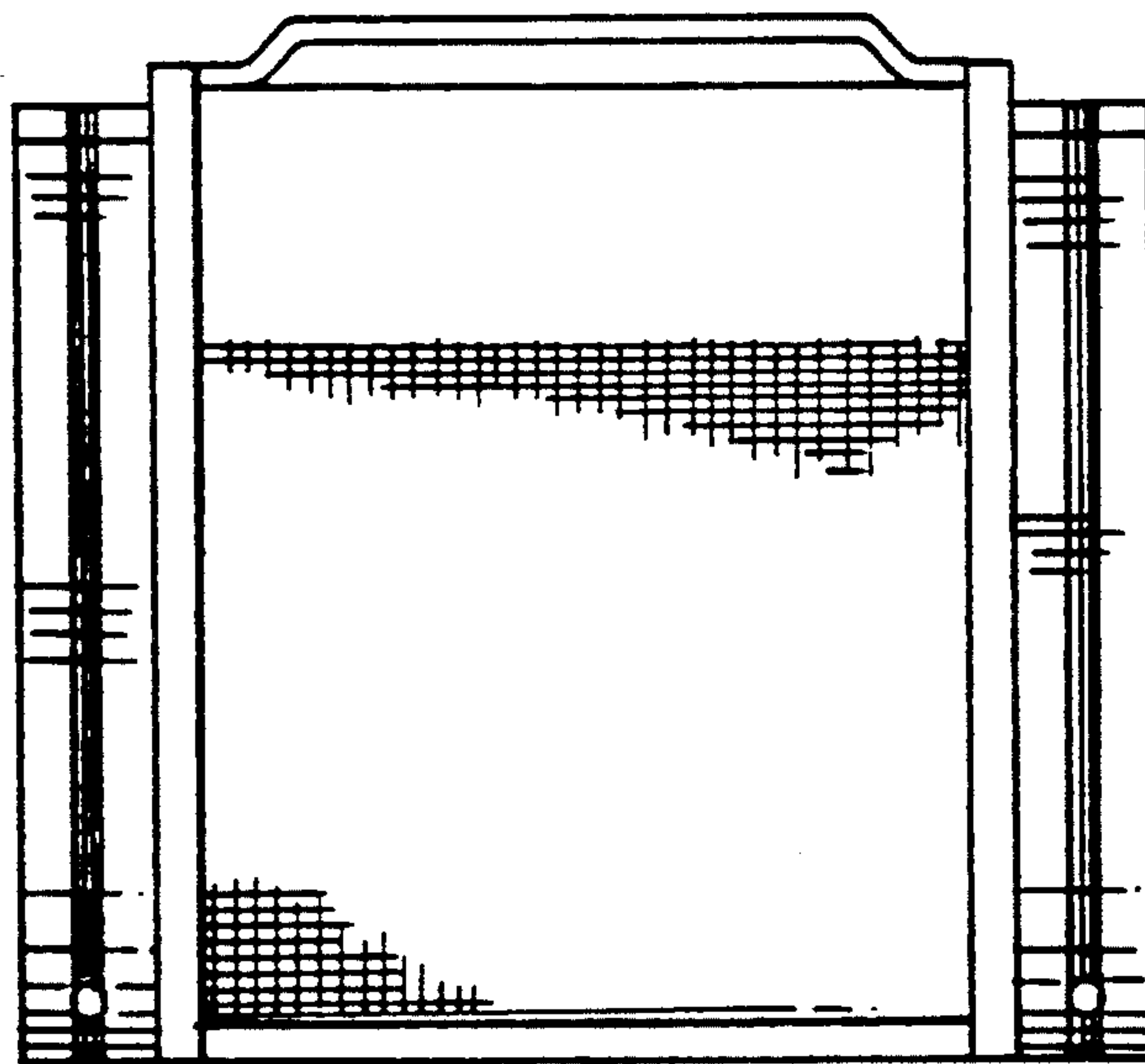


FIG. 7