



US00D347744S

**United States Patent** [19]  
**Gibbs**

[11] **Patent Number: Des. 347,744**

[45] **Date of Patent: \*\* Jun. 14, 1994**

[54] **CHAIR**

[75] **Inventor: Terence Gibbs, Grandview, N.Y.**

[73] **Assignee: Omni International, Inc., Richmond, Va.**

[\*\*] **Term: 14 Years**

[21] **Appl. No.: 13,096**

[22] **Filed: Sep. 17, 1993**

**Related U.S. Application Data**

[62] **Division of Ser. No. 649,882, Jan. 31, 1991.**

[52] **U.S. Cl. .... D6/373; D6/379**

[58] **Field of Search ..... D6/334, 368, 369, 370,  
D6/371, 373, 374, 375, 376, 379, 500, 501, 502;  
297/419, 445, 446, 457**

[56] **References Cited**

**U.S. PATENT DOCUMENTS**

D. 222,450	10/1971	Brook	.....	D6/373
D. 244,646	6/1977	Uchida	.....	D6/368
D. 282,027	1/1986	Schultz	.....	D6/373
D. 291,391	8/1987	Arthur, Jr.	.....	D6/379
D. 291,632	9/1987	Zola	.....	D6/379
D. 298,787	12/1988	Greene	.....	D6/379
D. 316,938	5/1991	Hess	.....	D6/373
D. 323,077	1/1992	Saiger	.....	D6/379

**OTHER PUBLICATIONS**

Food Service Equip. Special, Dec. 1983, p. 186, Chair #1070, second from left at bottom.

House & Garden, Jun. 1984, p. 95, Chair by Woodard at right.

Casual Furniture Catalog IV, 1986, Genesis V chair shown at bottom left.

Brown Jordan, p. 39, Chair "E" mid-page at bottom.

Interiors, Oct. 1987, p. 44, Chair by Telescope at bottom right.

*Primary Examiner*—Alan P. Douglas

*Assistant Examiner*—Gary D. Watson

*Attorney, Agent, or Firm*—Lerner, David, Littenberg, Krumholz & Mentlik

[57] **CLAIM**

The ornamental design for a chair, as shown and described.

**DESCRIPTION**

FIG. 1 is a perspective view looking from above of a chair showing my new design;

FIG. 2 is a right side elevational view thereof;

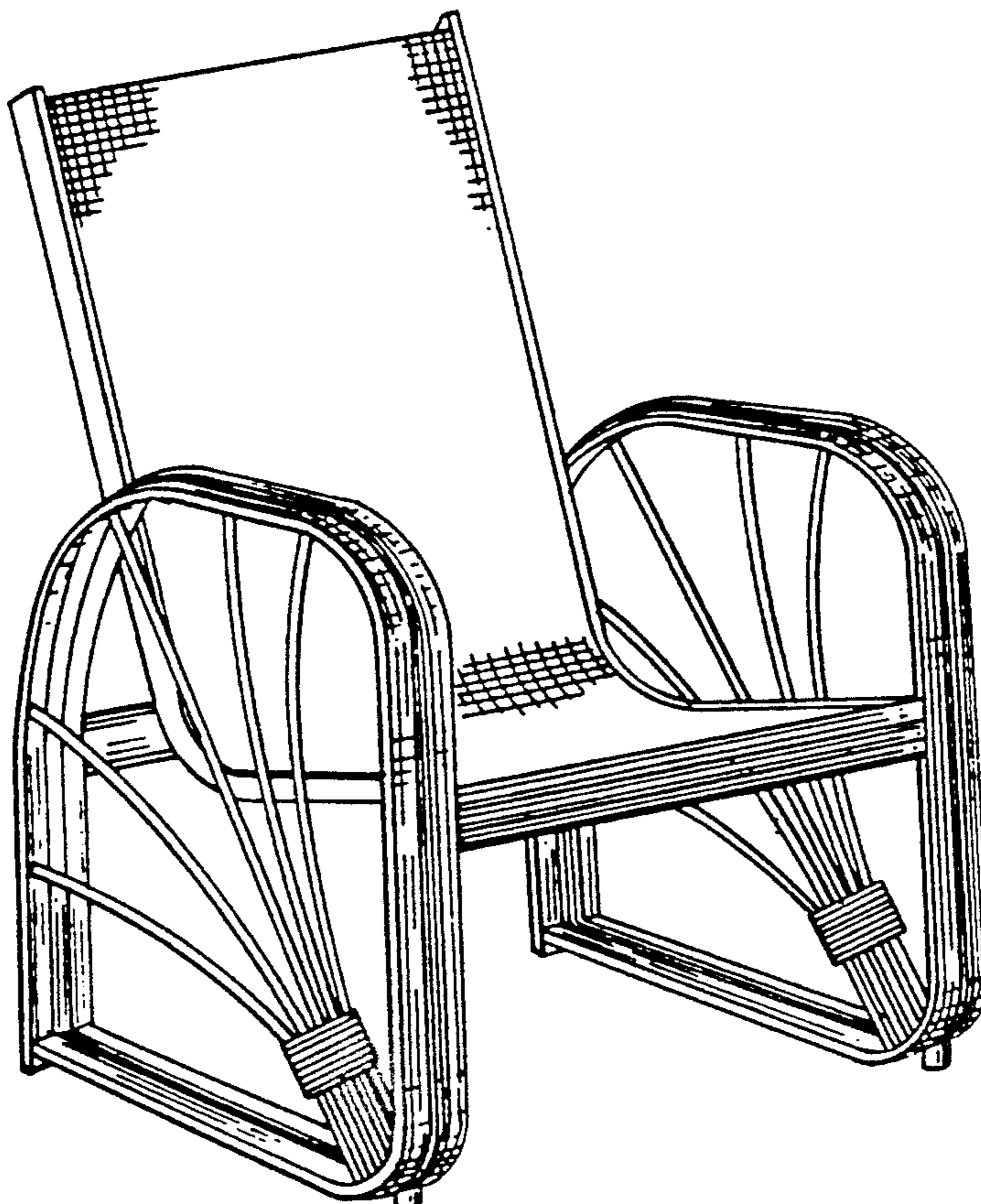
FIG. 3 is a left side elevational view thereof;

FIG. 4 is a front elevational view thereof;

FIG. 5 is a rear elevational view thereof;

FIG. 6 is a top plan view thereof; and,

FIG. 7 is a bottom plan view thereof.



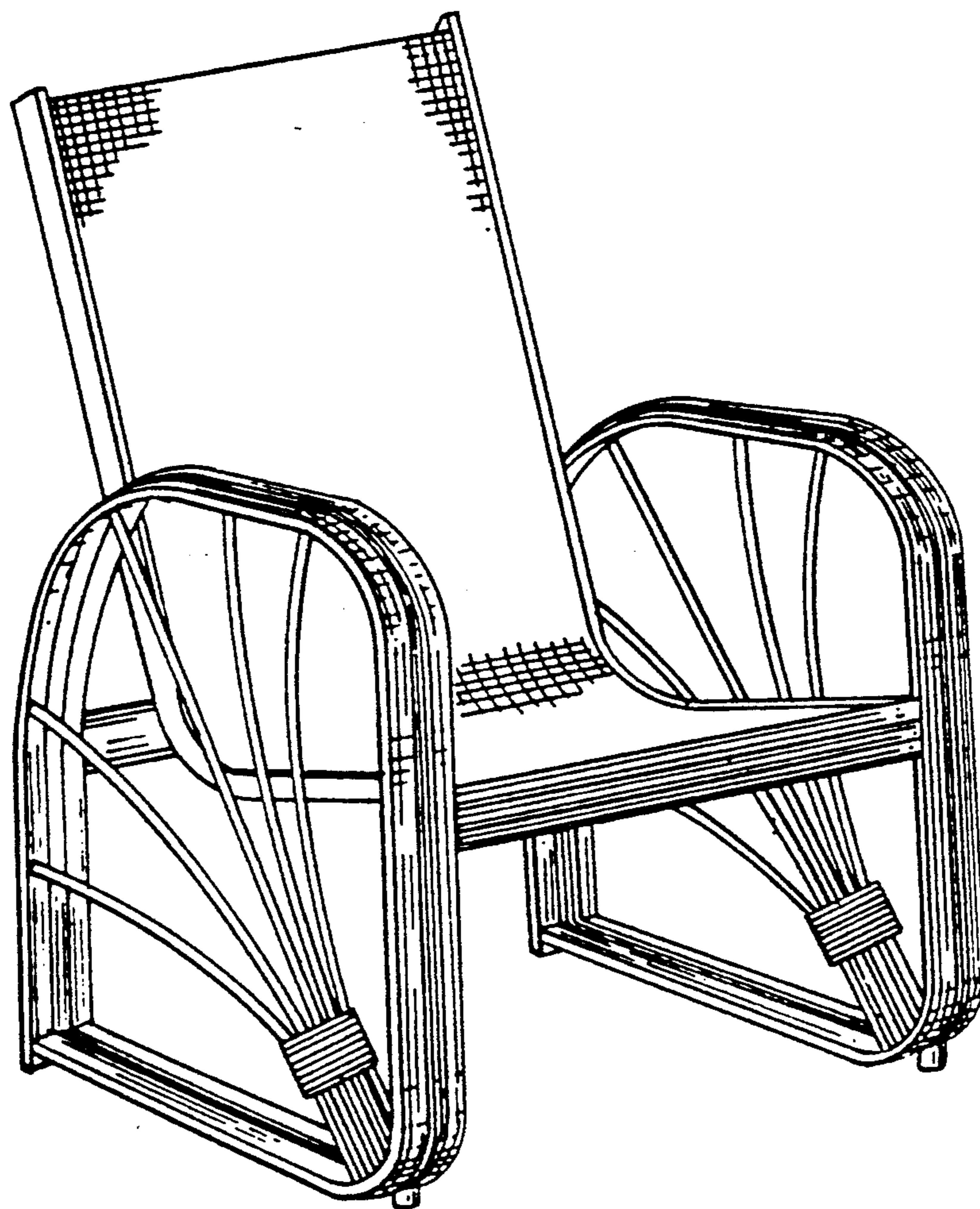


FIG. 1

FIG. 2

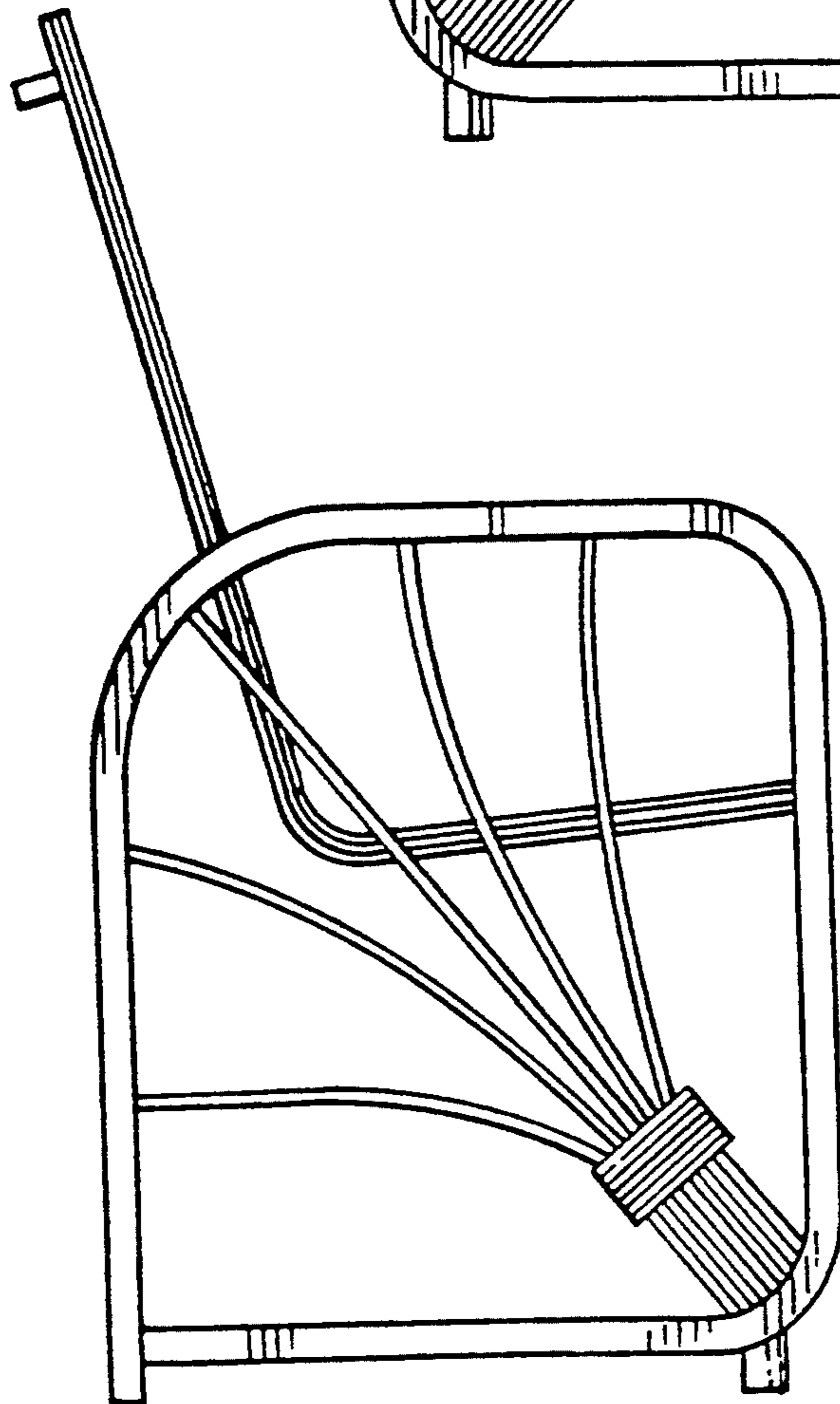
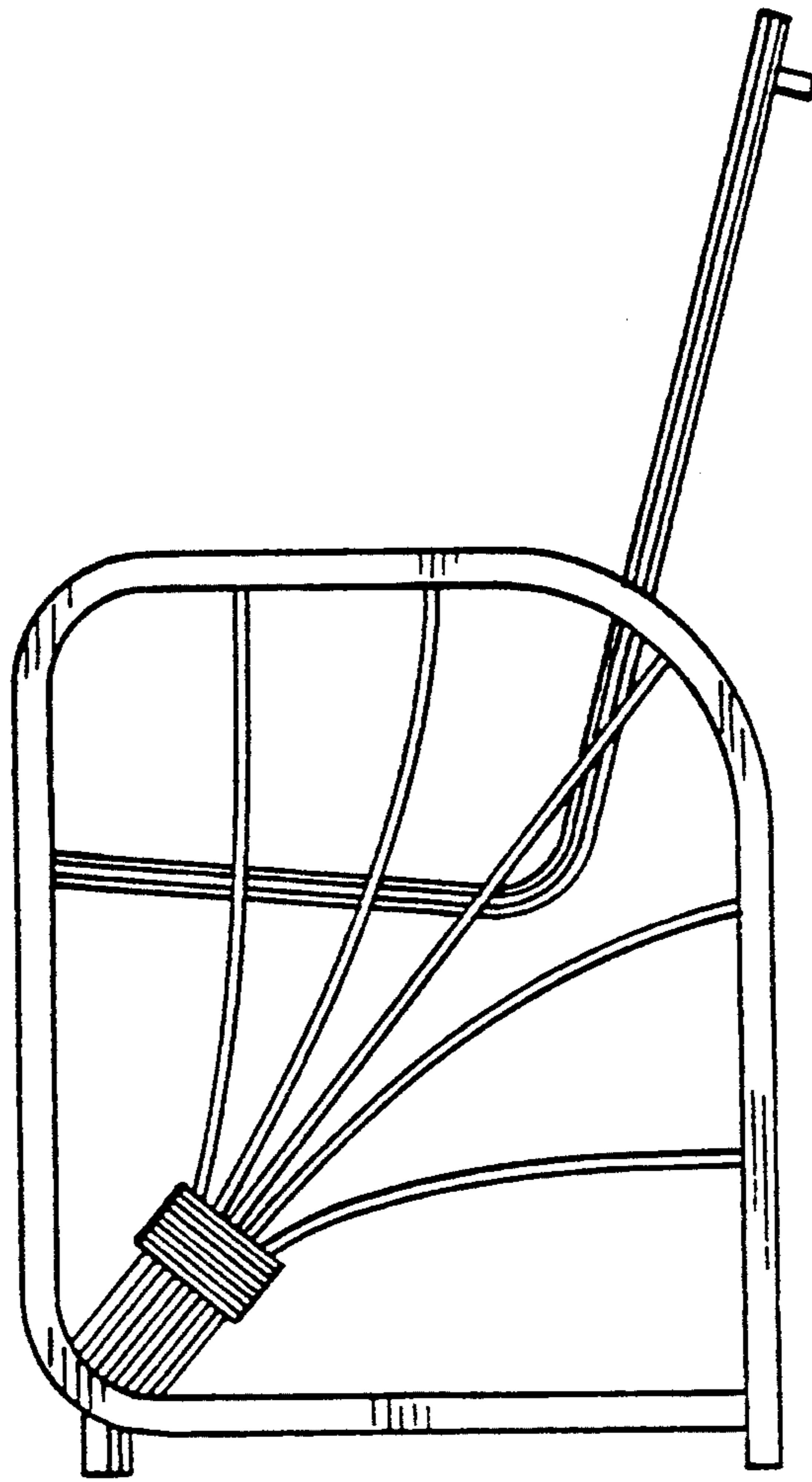


FIG. 3

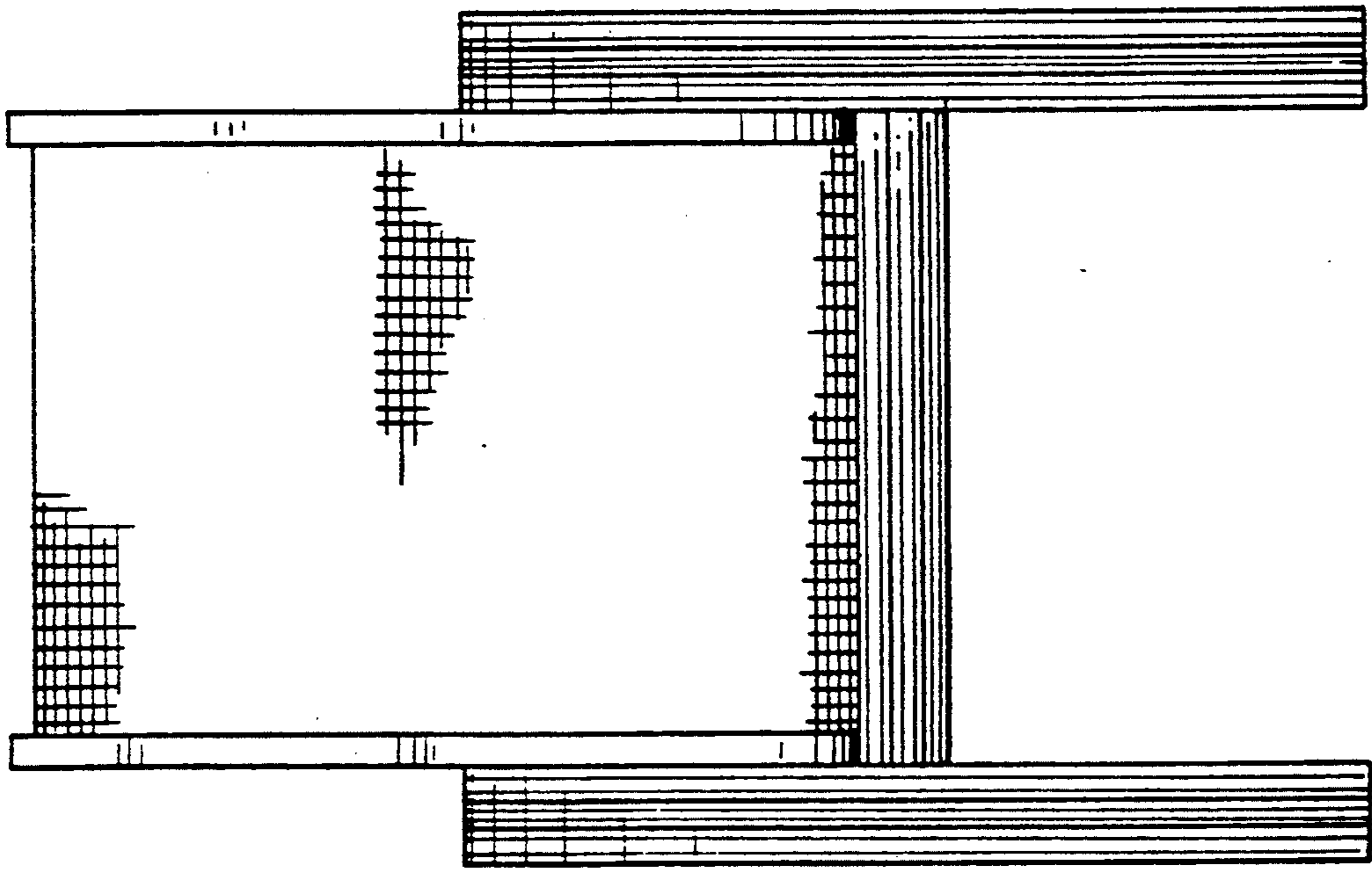


FIG. 4

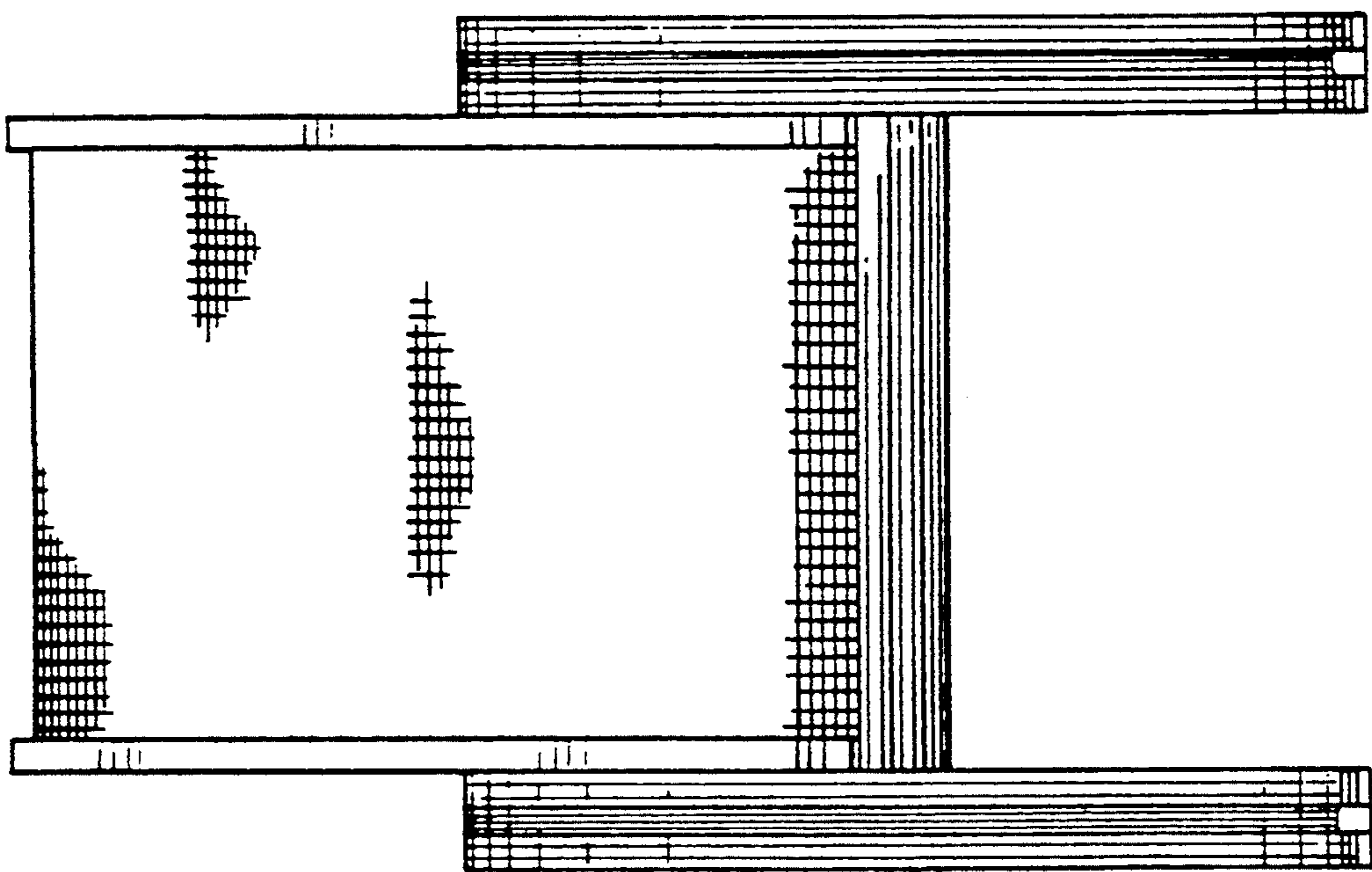


FIG. 5

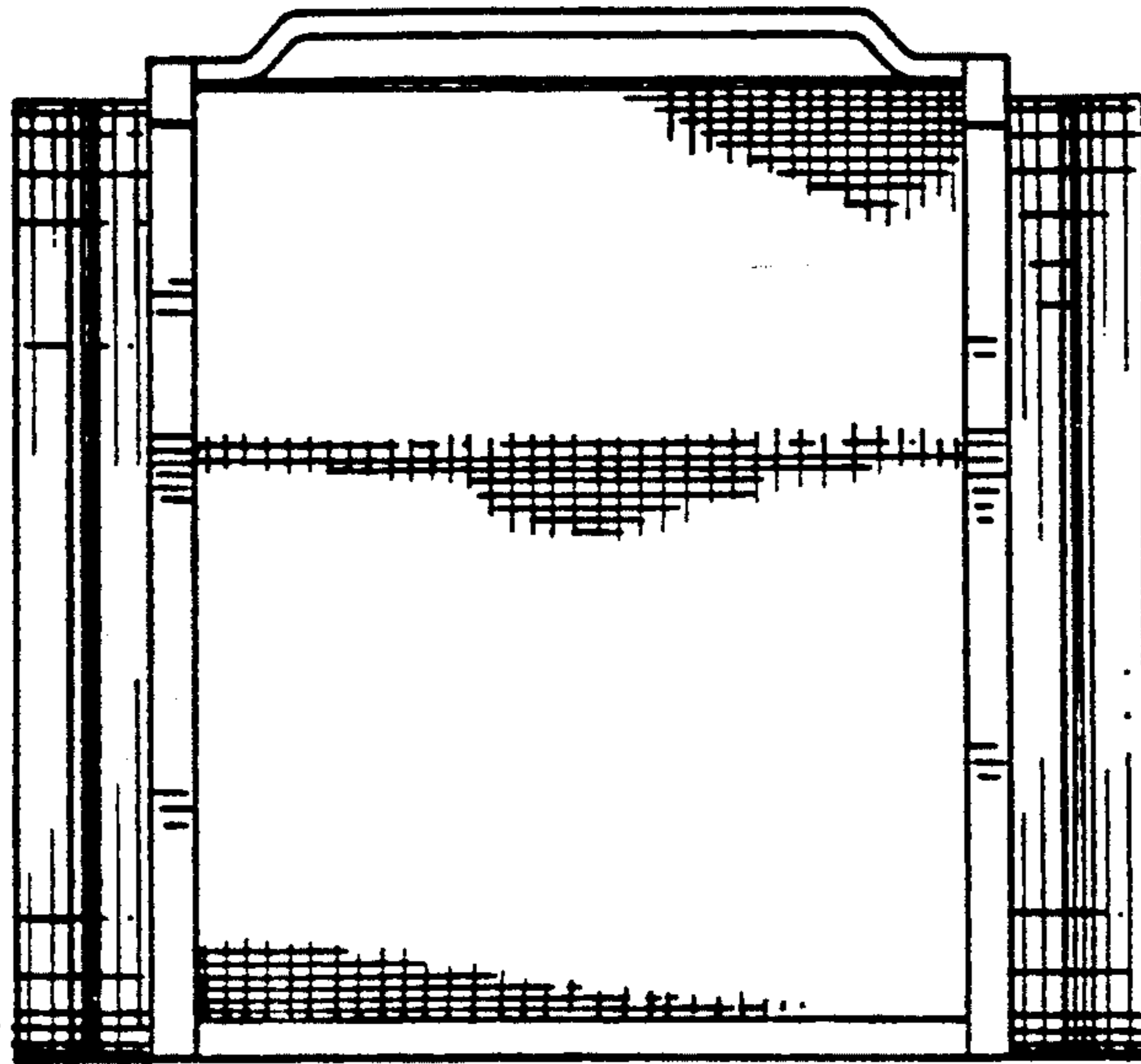


FIG. 6

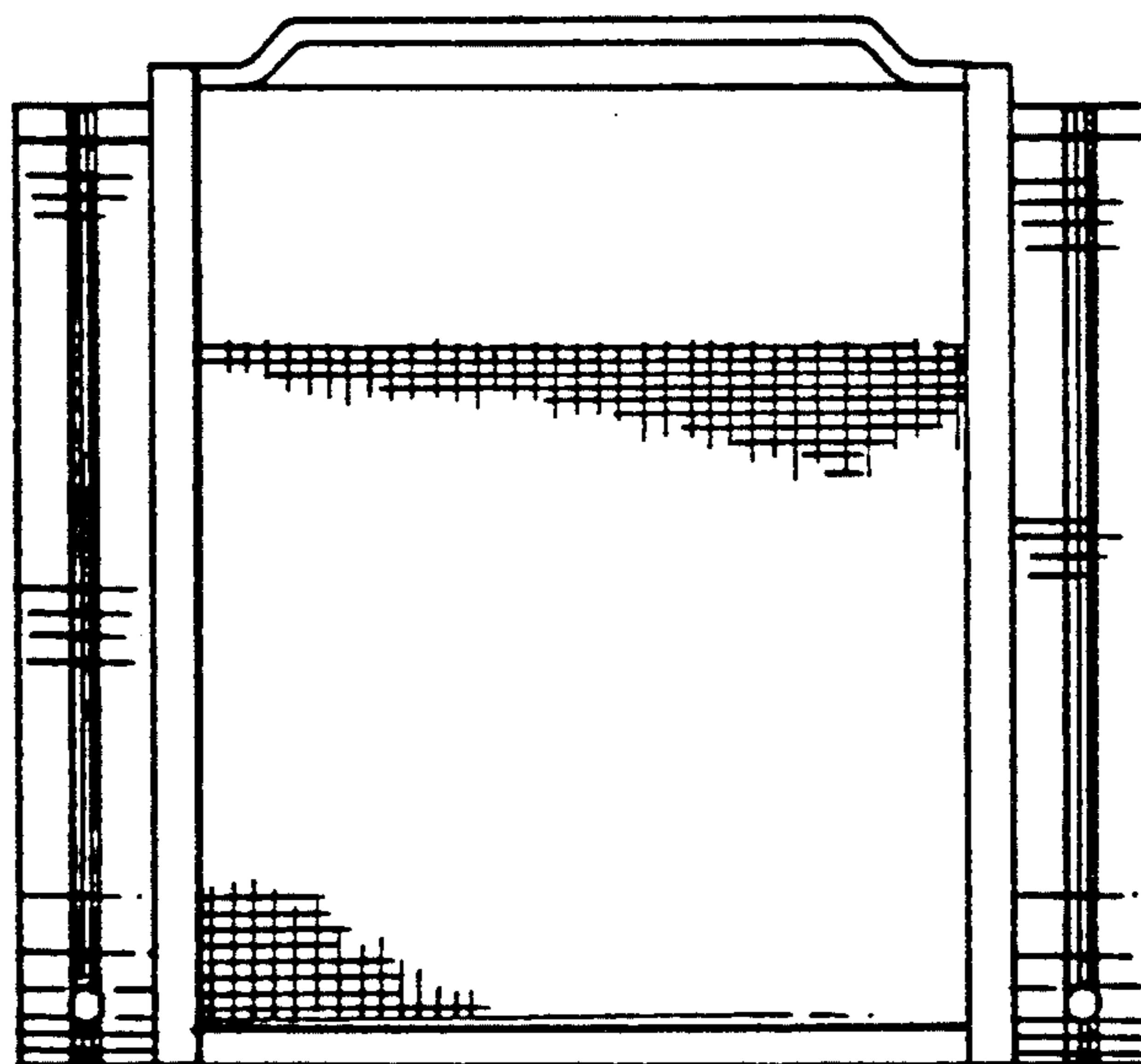


FIG. 7