



US00D347740S

United States Patent [19]

[11] Patent Number: **Des. 347,740**

Locher

[45] Date of Patent: **** Jun. 14, 1994**

[54] **CHAIR**

[75] Inventor: **Hermann Locher, Schwanden, Switzerland**

[73] Assignee: **Giroflex Entwicklungs AG, Koblenz, Switzerland**

[**] Term: **14 Years**

[21] Appl. No.: **1,242**

[22] Filed: **Nov. 9, 1992**

[30] **Foreign Application Priority Data**

Jun. 18, 1992 [WO] World Int. Prop. O. ... DM/023 109

[52] U.S. Cl. **D6/366**

[58] Field of Search **D6/334, 364, 365, 366, D6/367, 379, 498, 500, 501, 502; 297/411.44**

[56] **References Cited**

U.S. PATENT DOCUMENTS

- D. 184,188 12/1958 McCarthy et al. D6/366
- D. 234,384 2/1975 Tacke D6/366
- D. 236,061 7/1975 Tacke D6/498

- D. 250,374 11/1978 Prizlow et al. D6/366
- D. 260,204 8/1981 Sapper D6/366
- D. 274,675 7/1984 Diffrient D6/366
- D. 285,629 9/1986 Franck et al. D6/366
- D. 308,605 6/1990 Decker et al. D6/366
- D. 341,951 12/1993 Engel D6/366

Primary Examiner—Nelson C. Holtje
Assistant Examiner—Gary D. Watson
Attorney, Agent, or Firm—Sandler Greenblum & Bernstein

[57] CLAIM

The ornamental design for a chair, as shown and described.

DESCRIPTION

FIG. 1 is a front perspective view of a chair, showing my new design;
 FIG. 2 is a front elevational view thereof;
 FIG. 3 is a rear elevational view thereof;
 FIG. 4 is a top plan view thereof;
 FIG. 5 is a bottom plan view thereof;
 FIG. 6 is a left side elevational view thereof; and,
 FIG. 7 is a right side elevational view thereof.

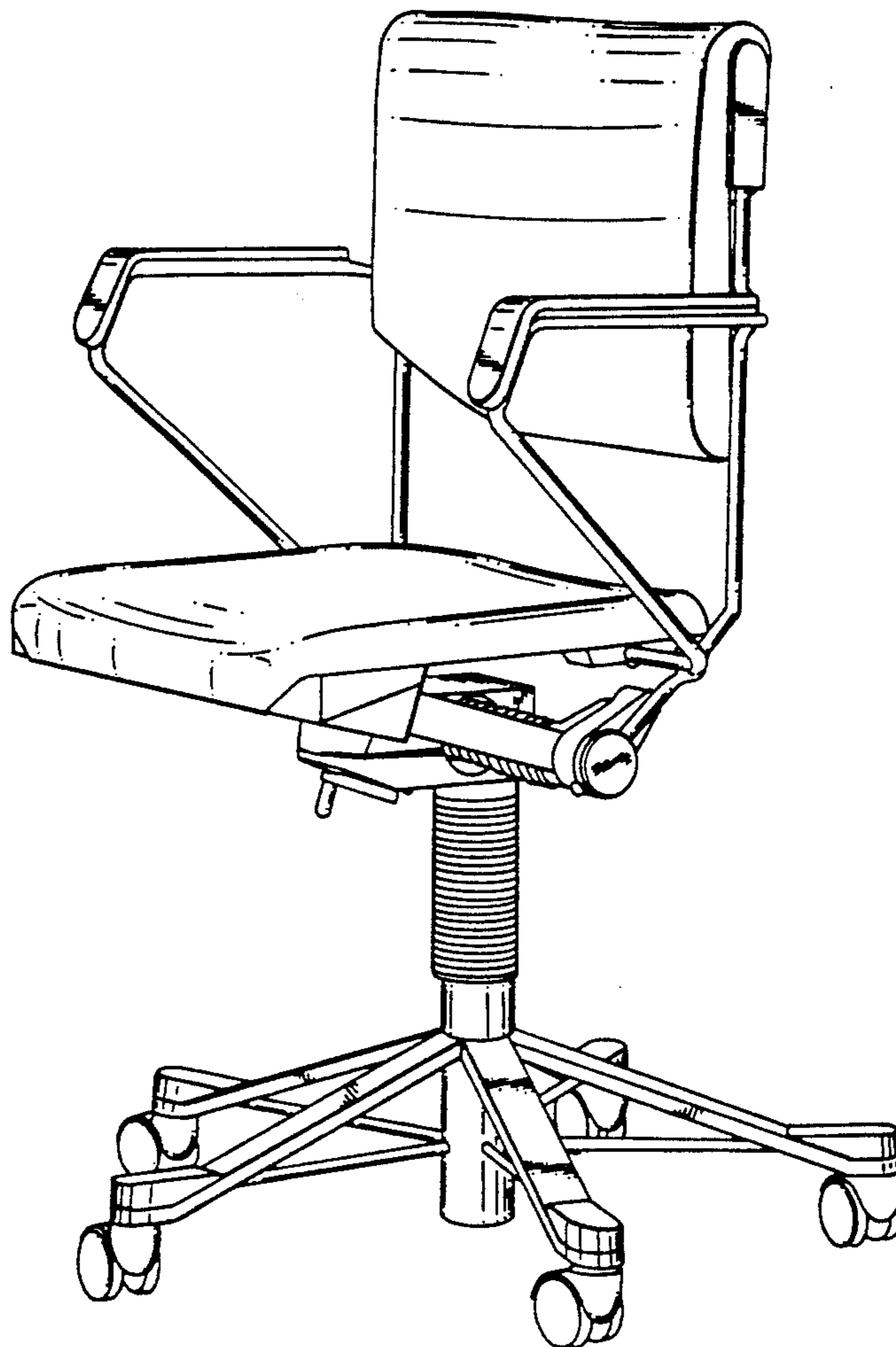


FIG - 1

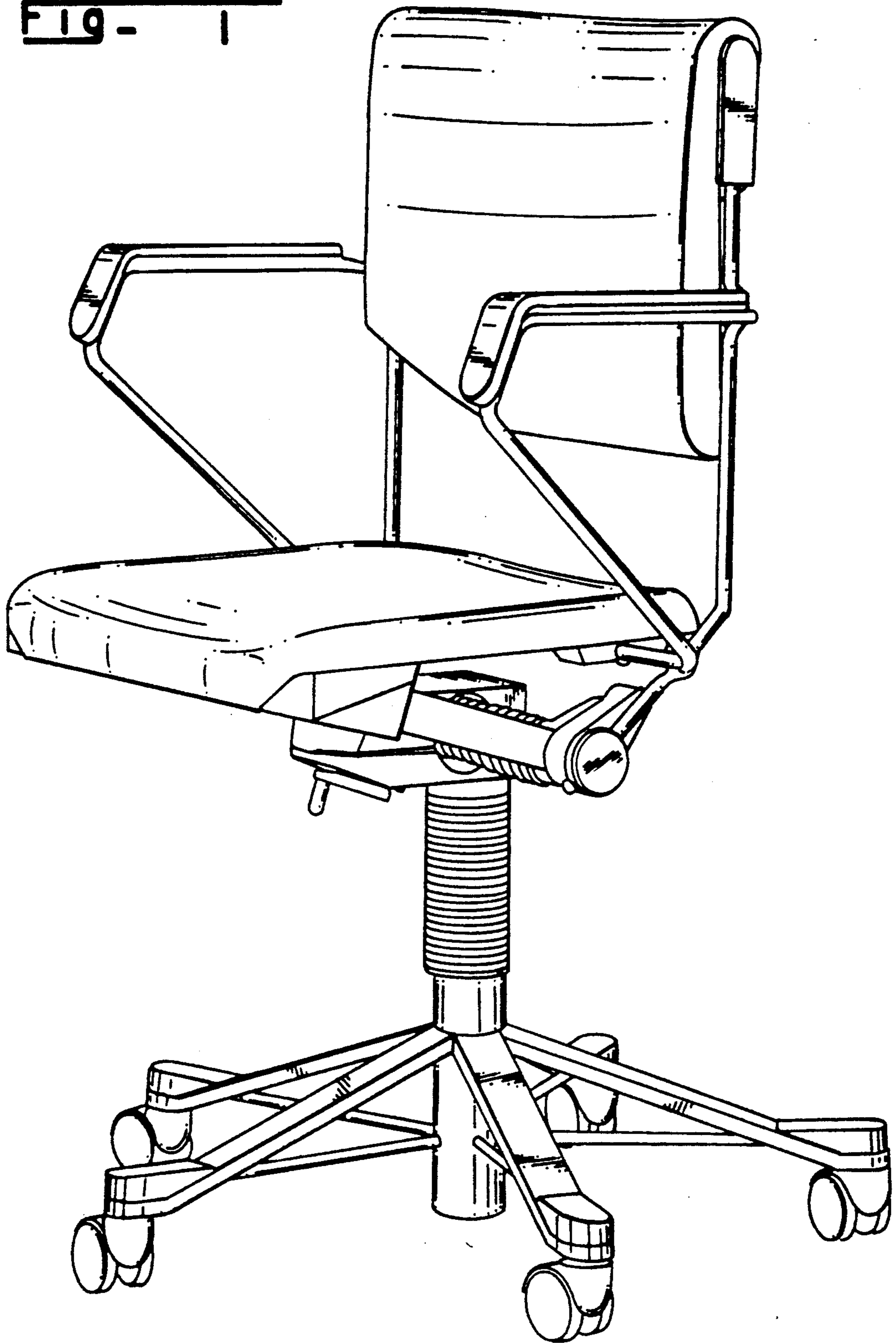


FIG- 2

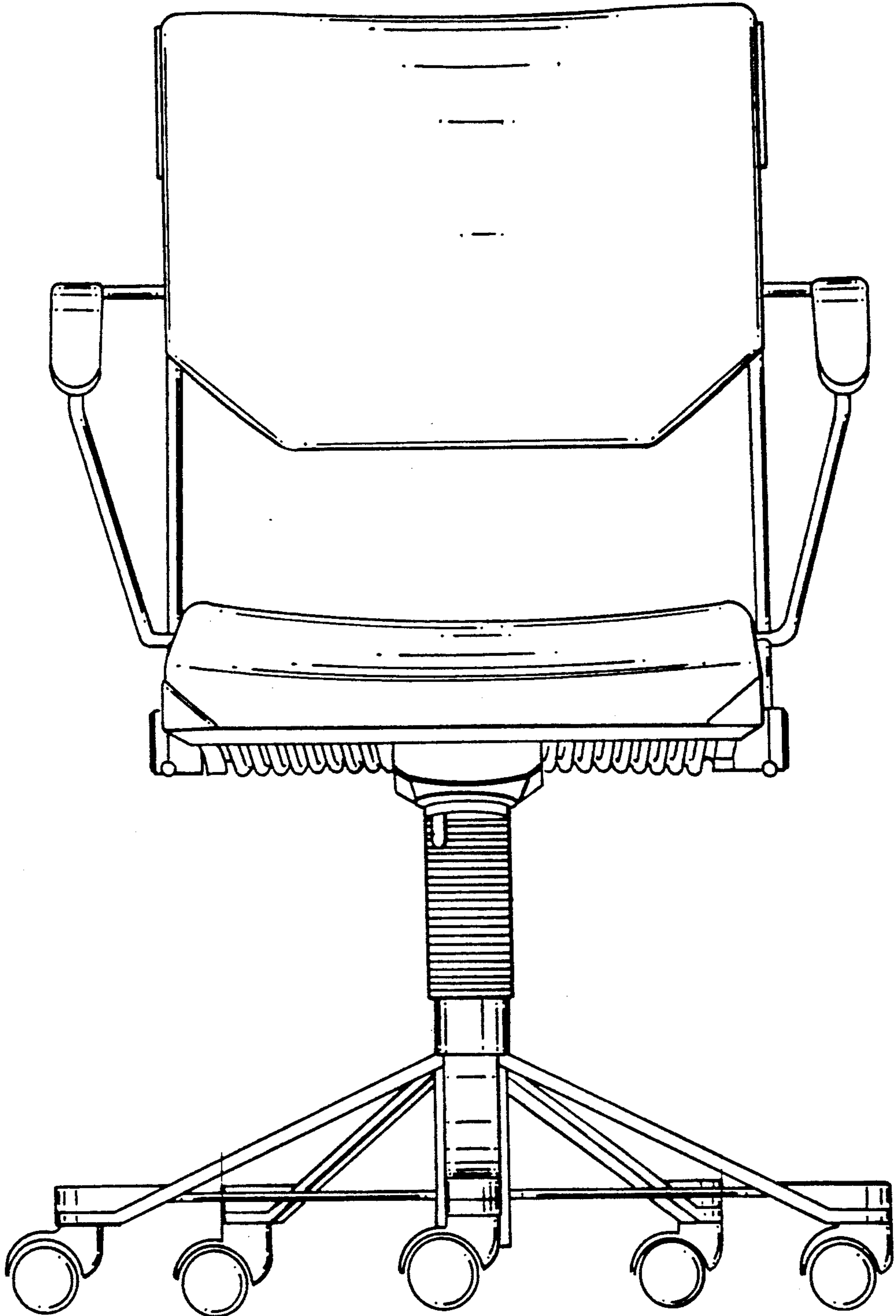


FIG - 3

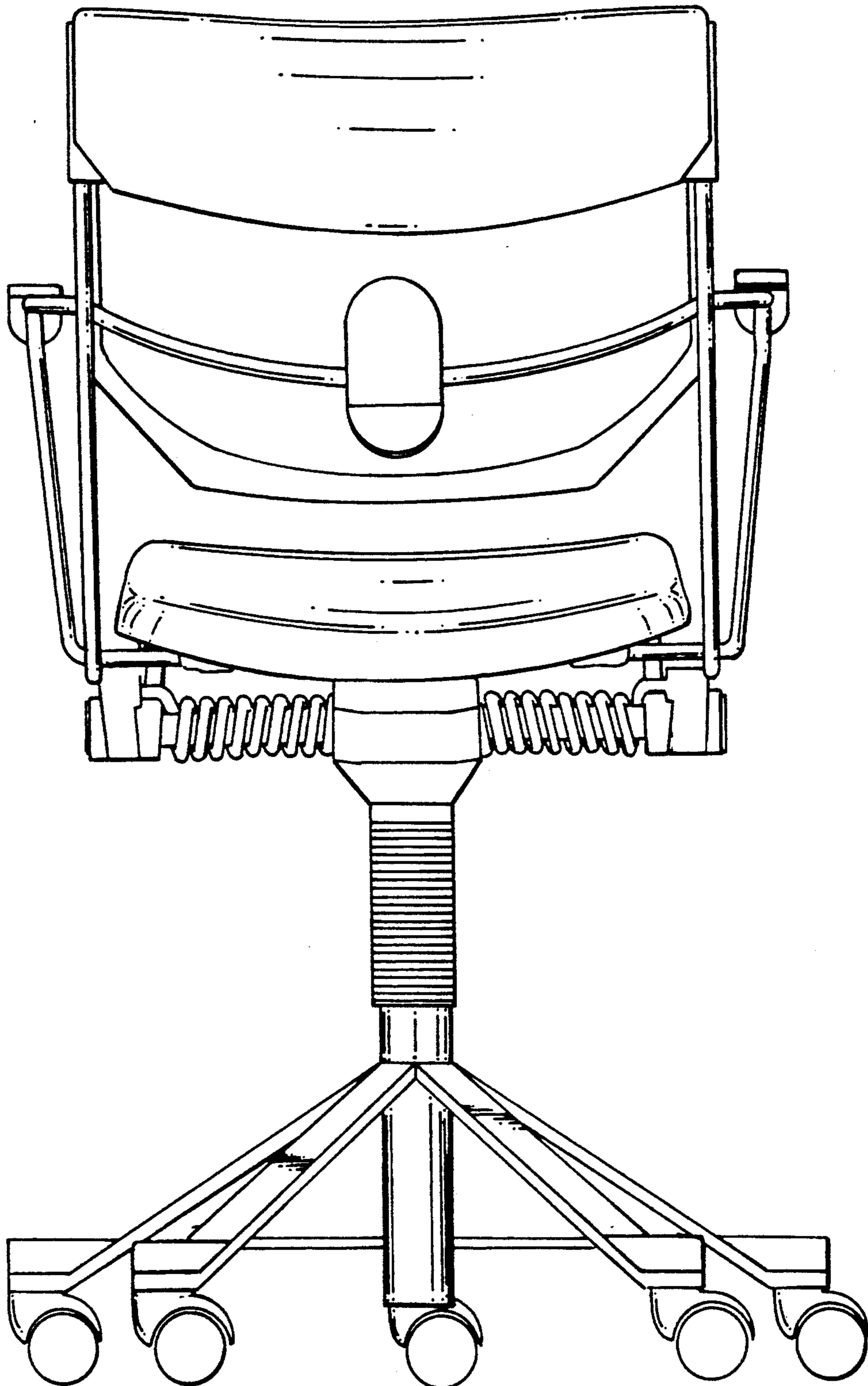


FIG- 4

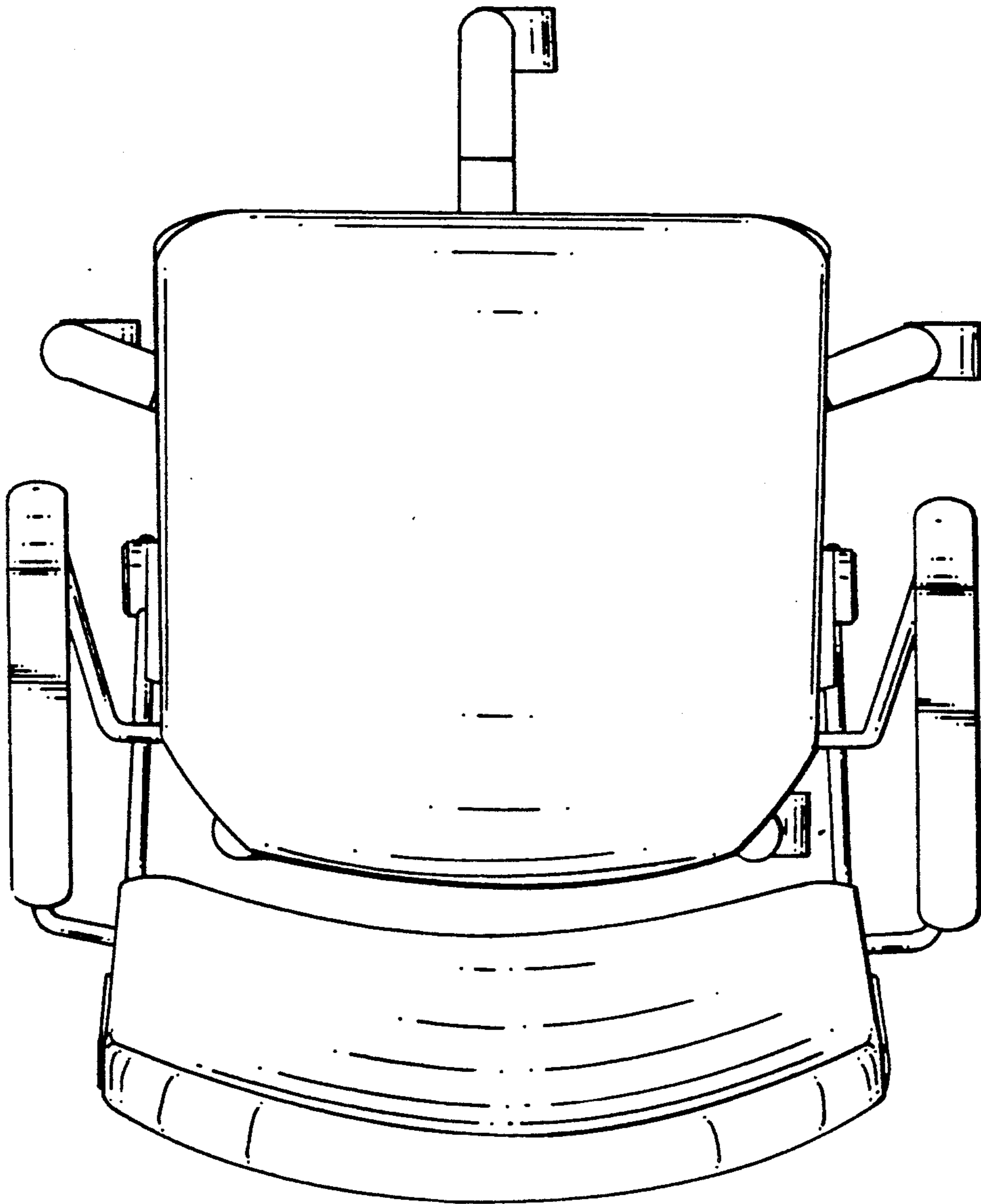


FIG. 5

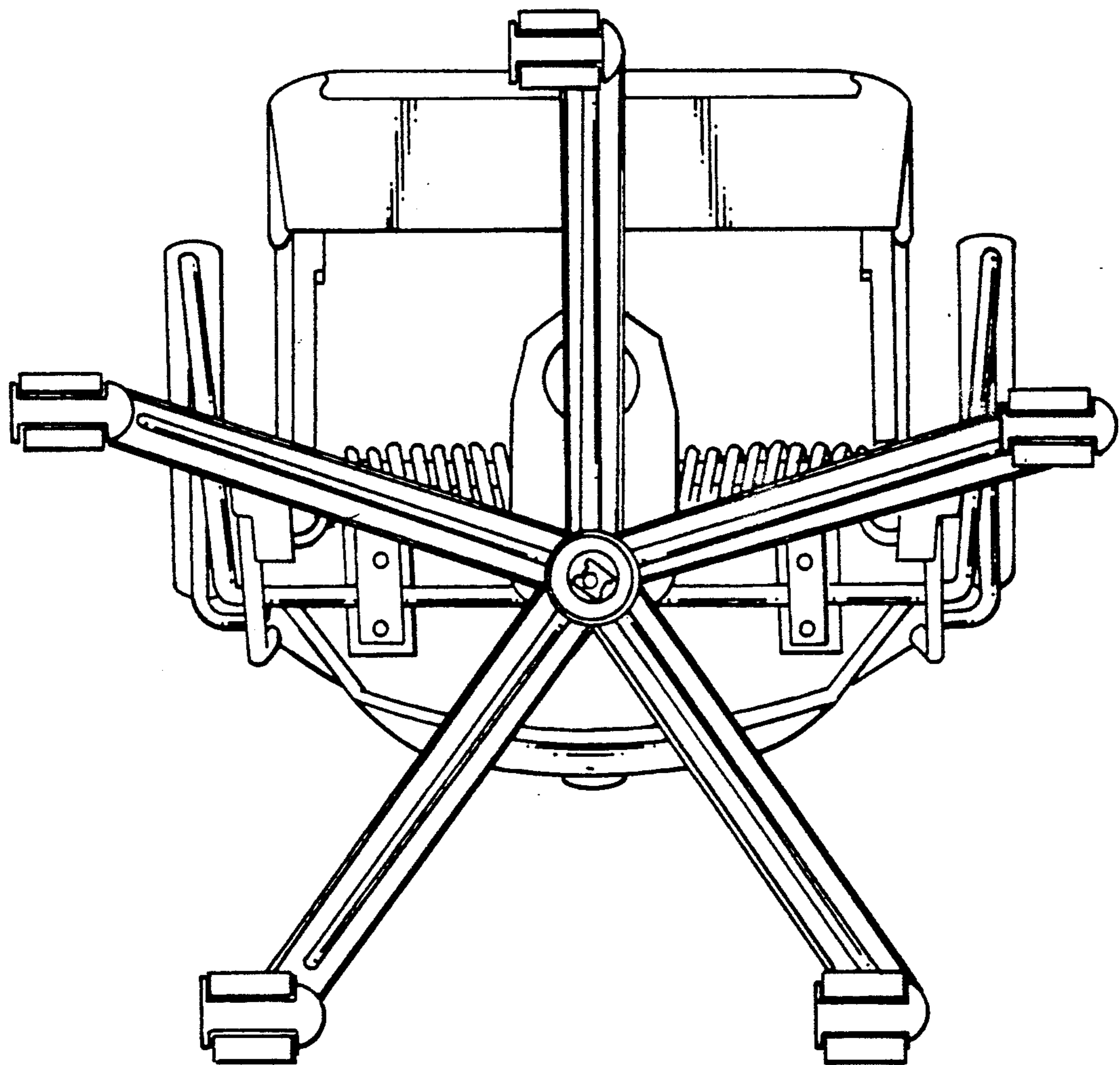


FIG - 6

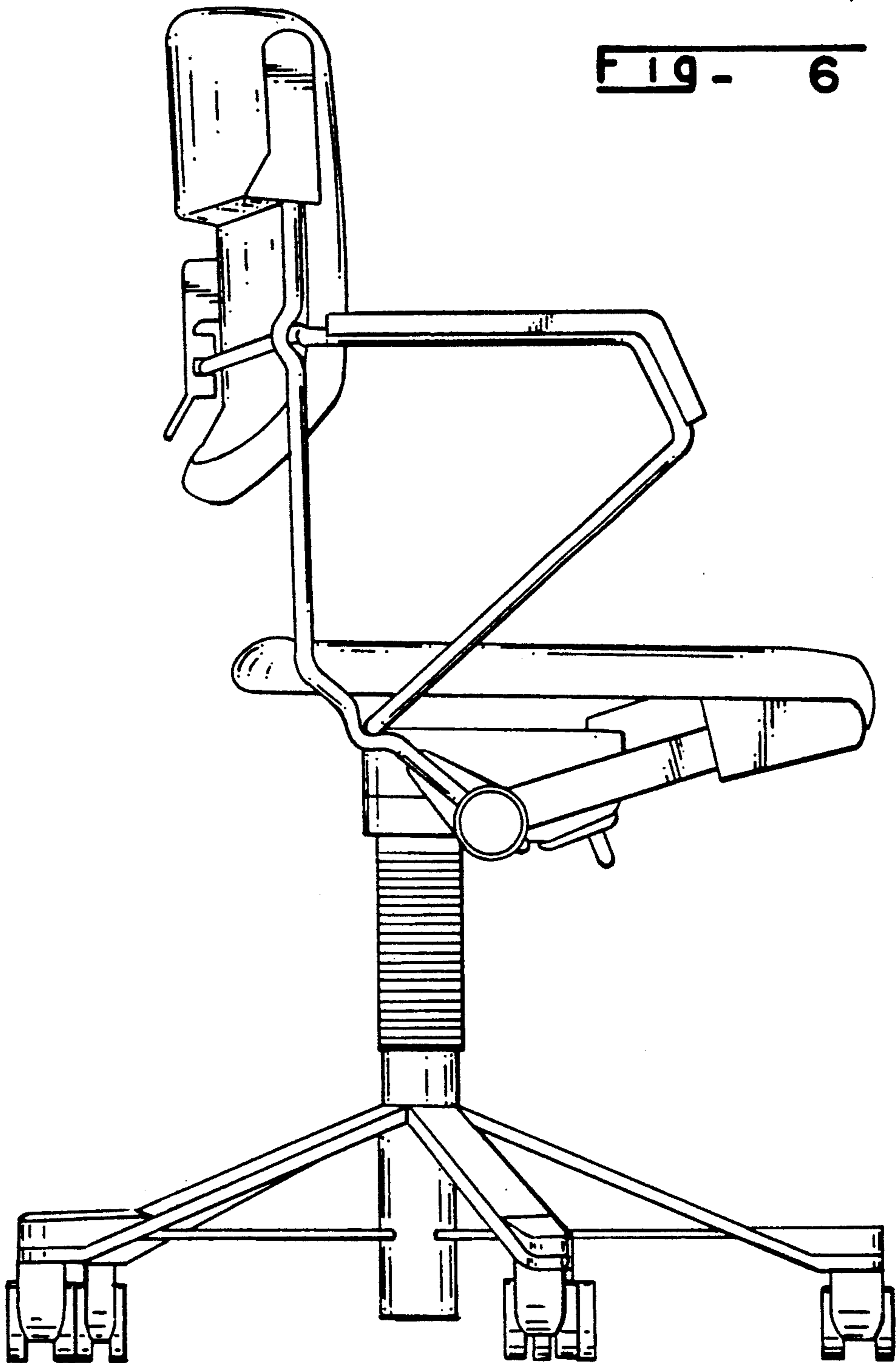


FIG - 7

