



US00D347738S

# United States Patent [19]

[11] Patent Number: Des. 347,738

Woodward et al.

[45] Date of Patent: \*\* Jun. 14, 1994

[54] STEP BENCH

[76] Inventors: Wilbur W. Woodward, Rte. 1, Box 54I, Colwich, Kans. 67034; James D. Woodward, South Highway D, Crane, Mo. 65633

[\*\*] Term: 14 Years

[21] Appl. No.: 945,337

[22] Filed: Sep. 15, 1992

[52] U.S. Cl. .... D6/350; D25/65

[58] Field of Search ..... D6/350, 352, 353; 182/15, 32, 33, 106, 22, 126, 21, 115, 93, 152, 165, 180, 194; D25/65, 62, 64

[56] References Cited

### U.S. PATENT DOCUMENTS

D. 132,676	6/1942	Roberts	.....	D6/350
D. 225,493	12/1972	Rossi	.....	D25/65
D. 238,320	1/1976	Smith et al.	.....	D6/350
D. 280,370	9/1985	Ferdinand et al.	.....	D6/352
D. 307,800	5/1990	Hradiskg	.....	D6/350
2,613,389	10/1952	Cramer	.....	182/15
2,793,800	5/1957	Hudd	.....	182/33
3,142,355	7/1964	Danielson	.....	182/106
3,811,533	5/1974	Cocker	.....	182/33

Primary Examiner—A. Hugo Word

Assistant Examiner—Doris Clark  
Attorney, Agent, or Firm—D. A. N. Chase; Michael Yakimo, Jr.

### [57] CLAIM

The ornamental design for a step bench, as shown and described.

### DESCRIPTION

FIG. 1 is a front elevational view of a step bench showing our new design with treads in a lower position thereof;

FIG. 2 is a right side elevational view of FIG. 1, the left side being a mirror image thereof;

FIG. 3 is a top plan view thereof;

FIG. 4 is a rear elevational view thereof;

FIG. 5 is an enlarged right side elevational view of a tread, the left side being a mirror image thereof;

FIG. 6 is a front and right side perspective view thereof;

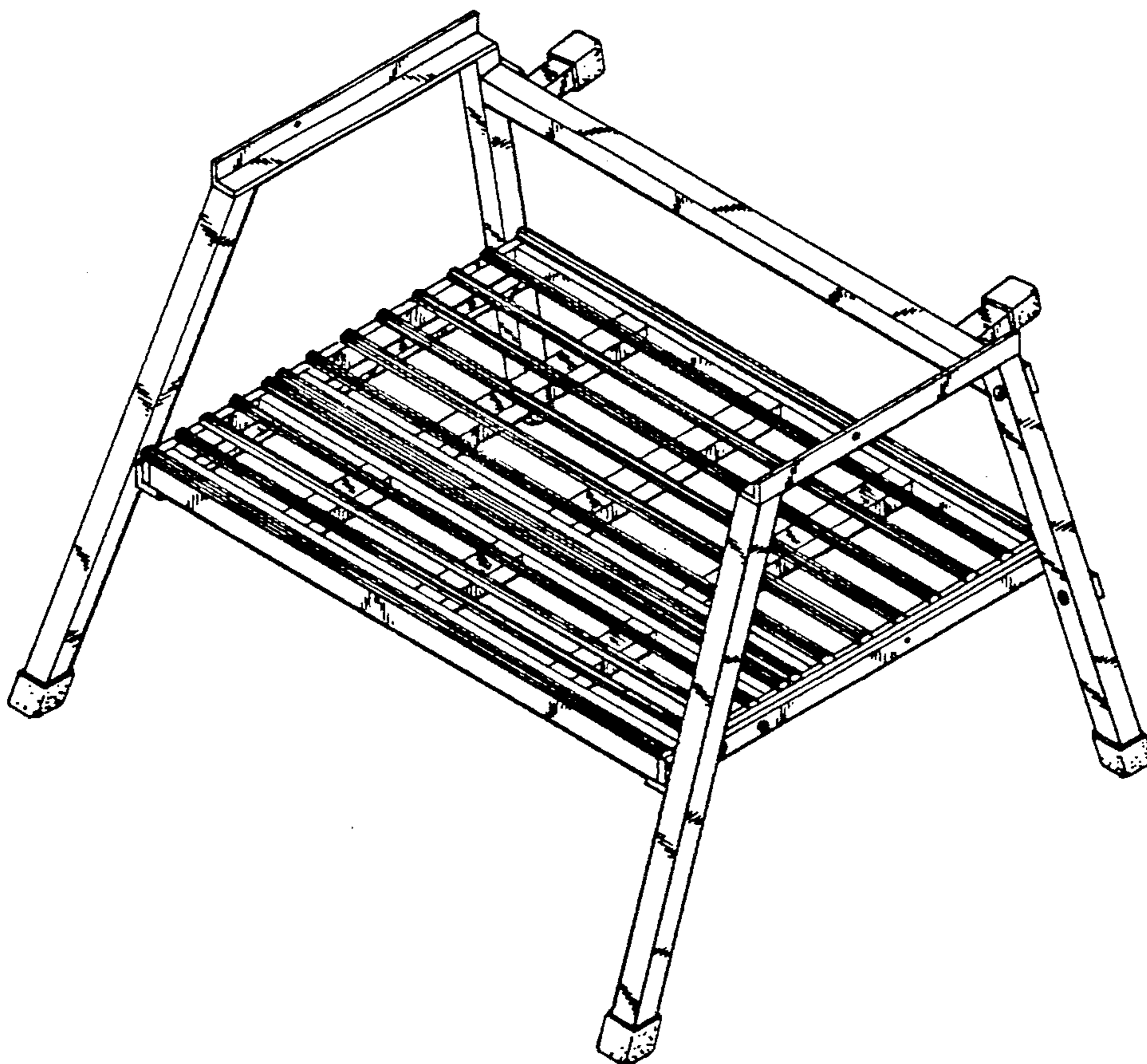
FIG. 7 is a top plan view of a second embodiment of a step bench showing our new design;

FIG. 8 is a right side elevational view of the embodiment of FIG. 7, the left elevational being a mirror image thereof;

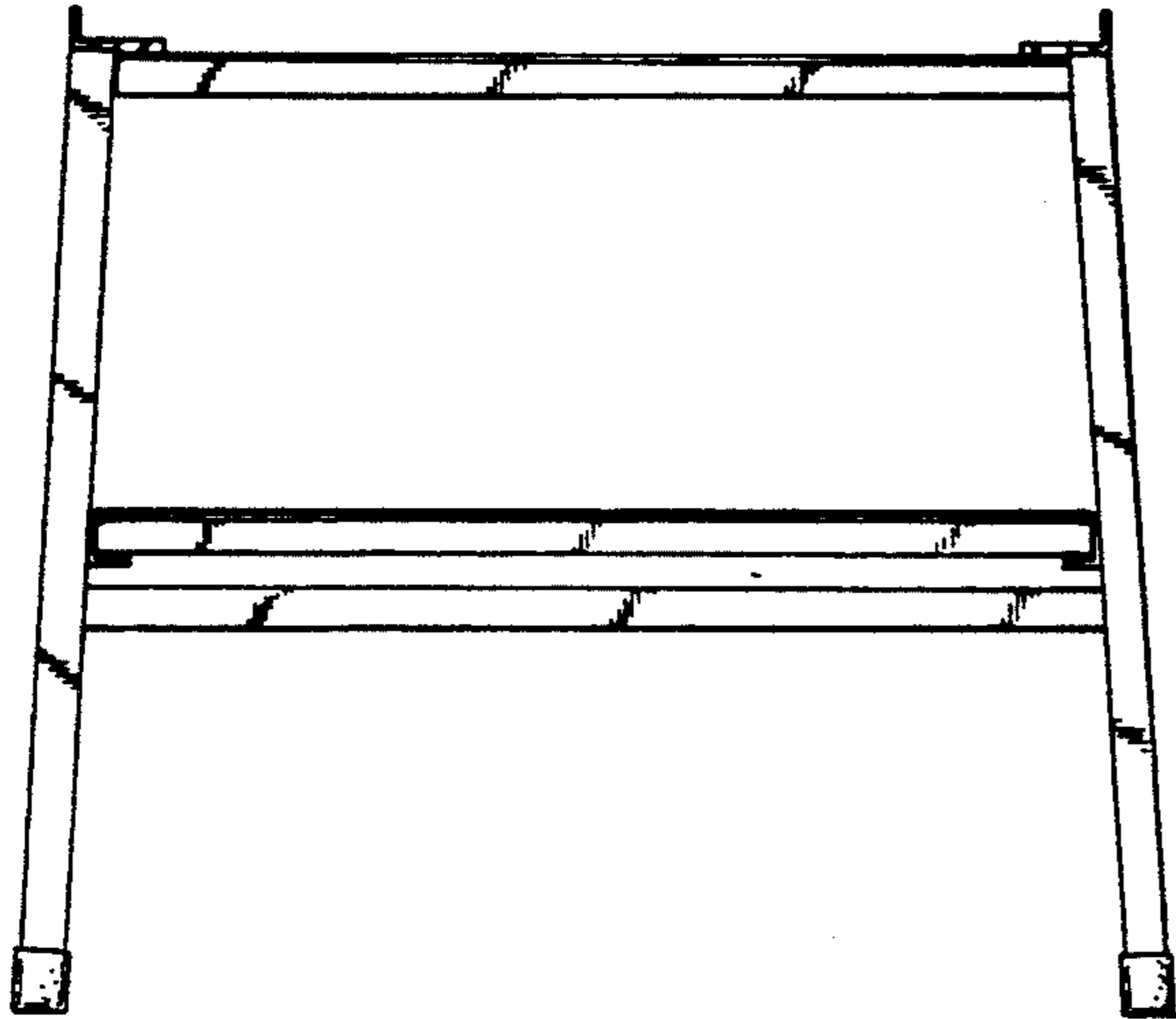
FIG. 9 is a top view of a tread section thereof;

FIG. 10 is a front elevational view thereof; and,

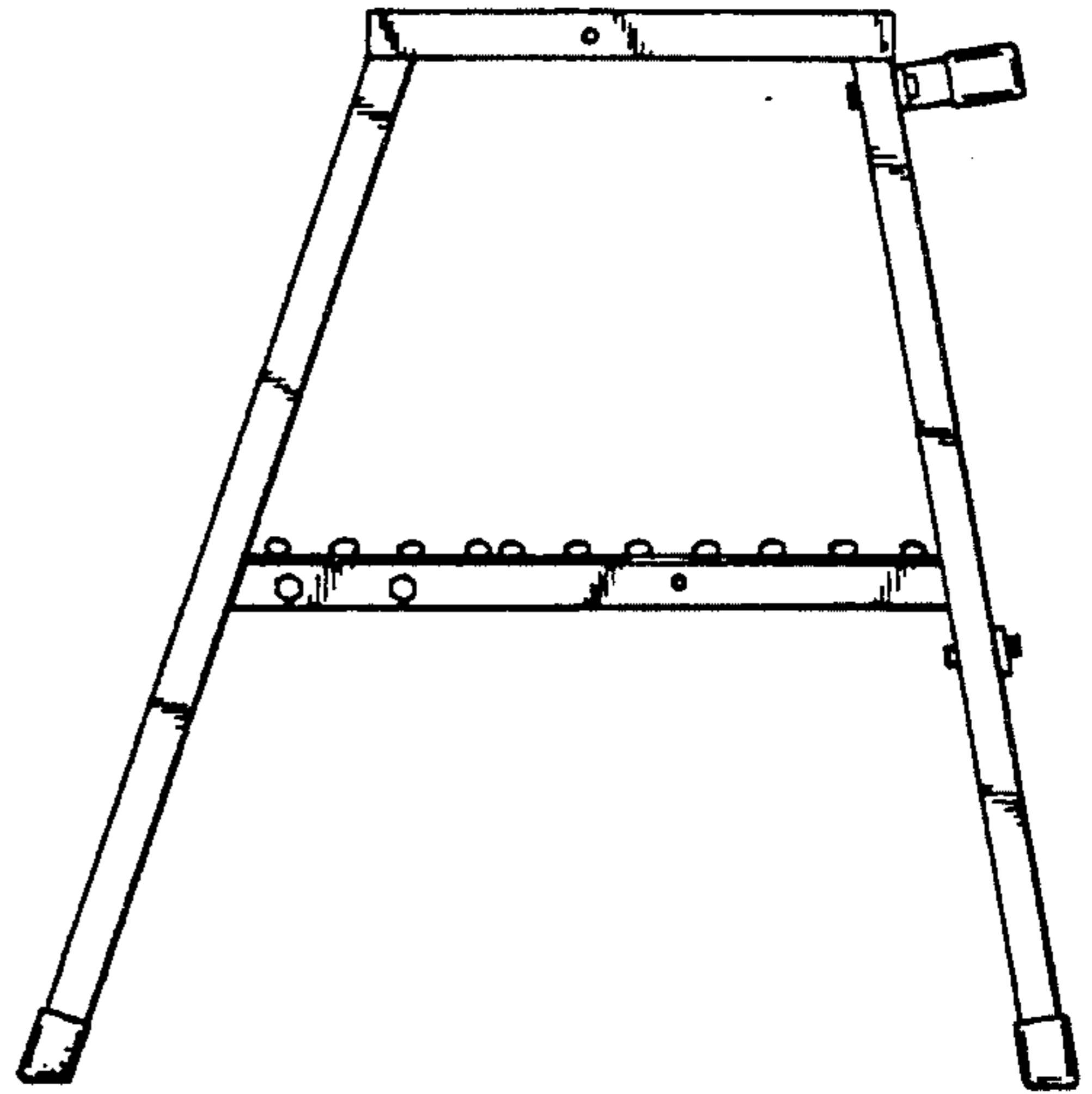
FIG. 11 is a front and right side perspective view thereof.



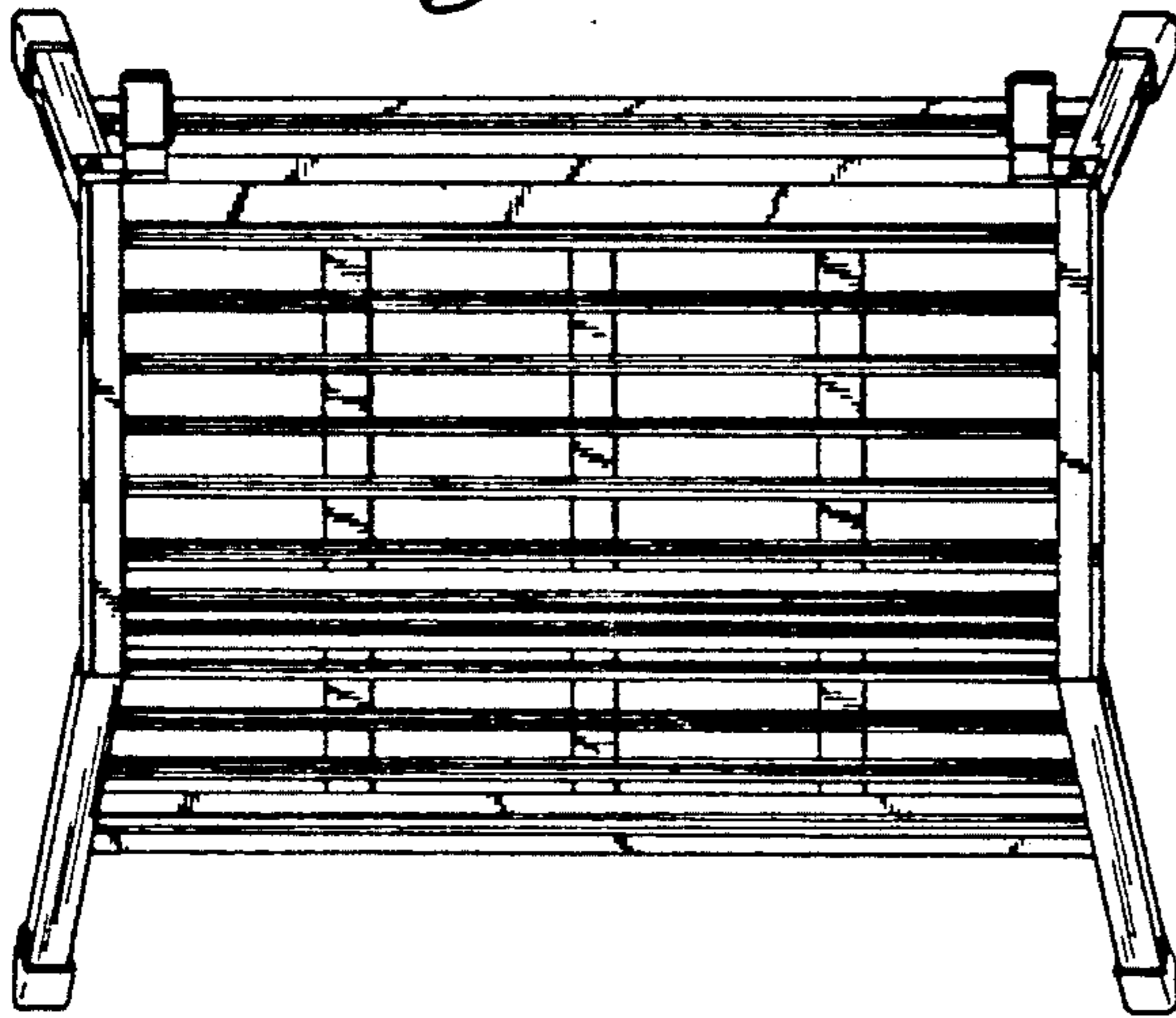
*Fig. 1*



*Fig. 2*



*Fig. 3*



*Fig. 5*

*Fig. 4*

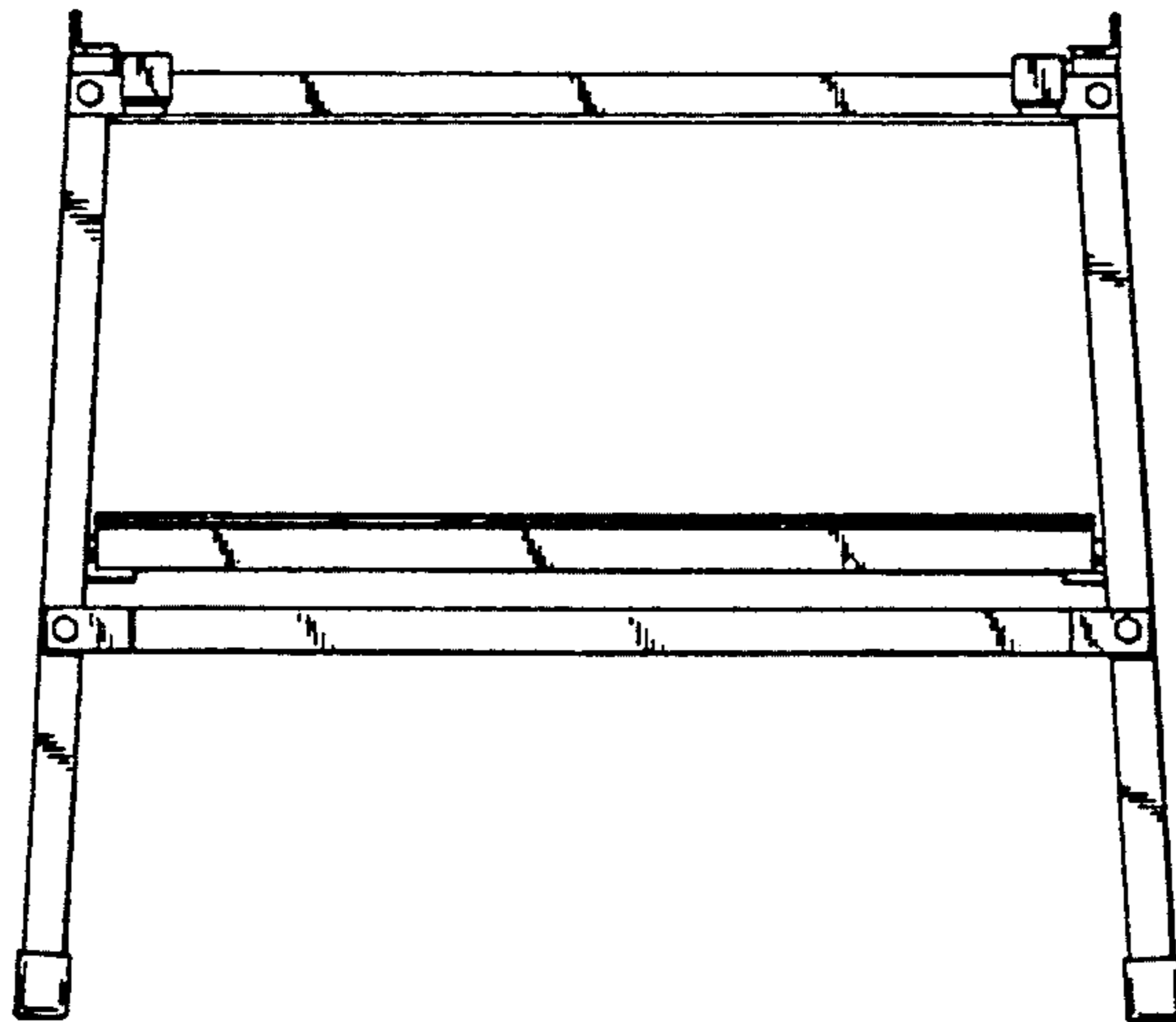


Fig. 6

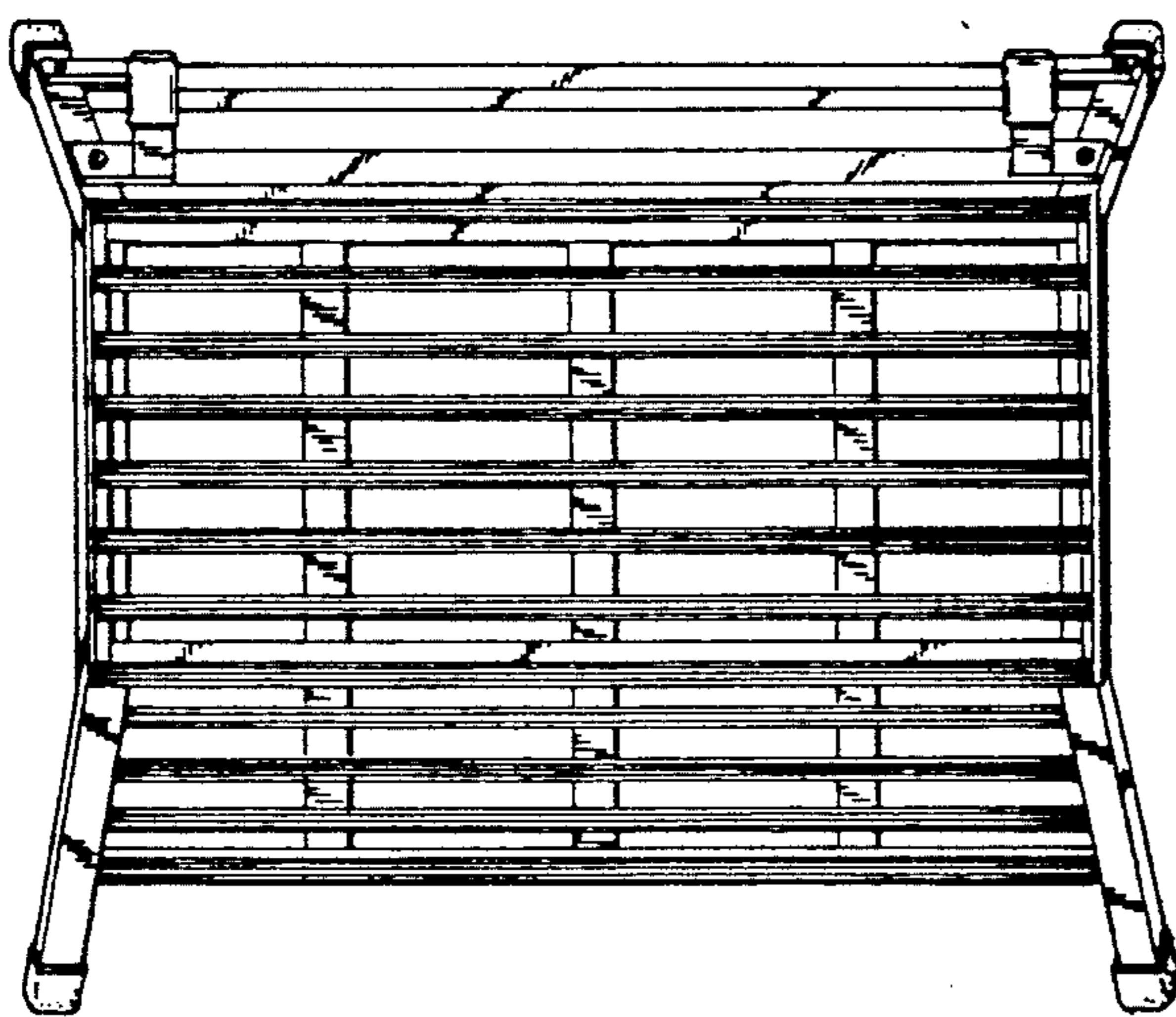
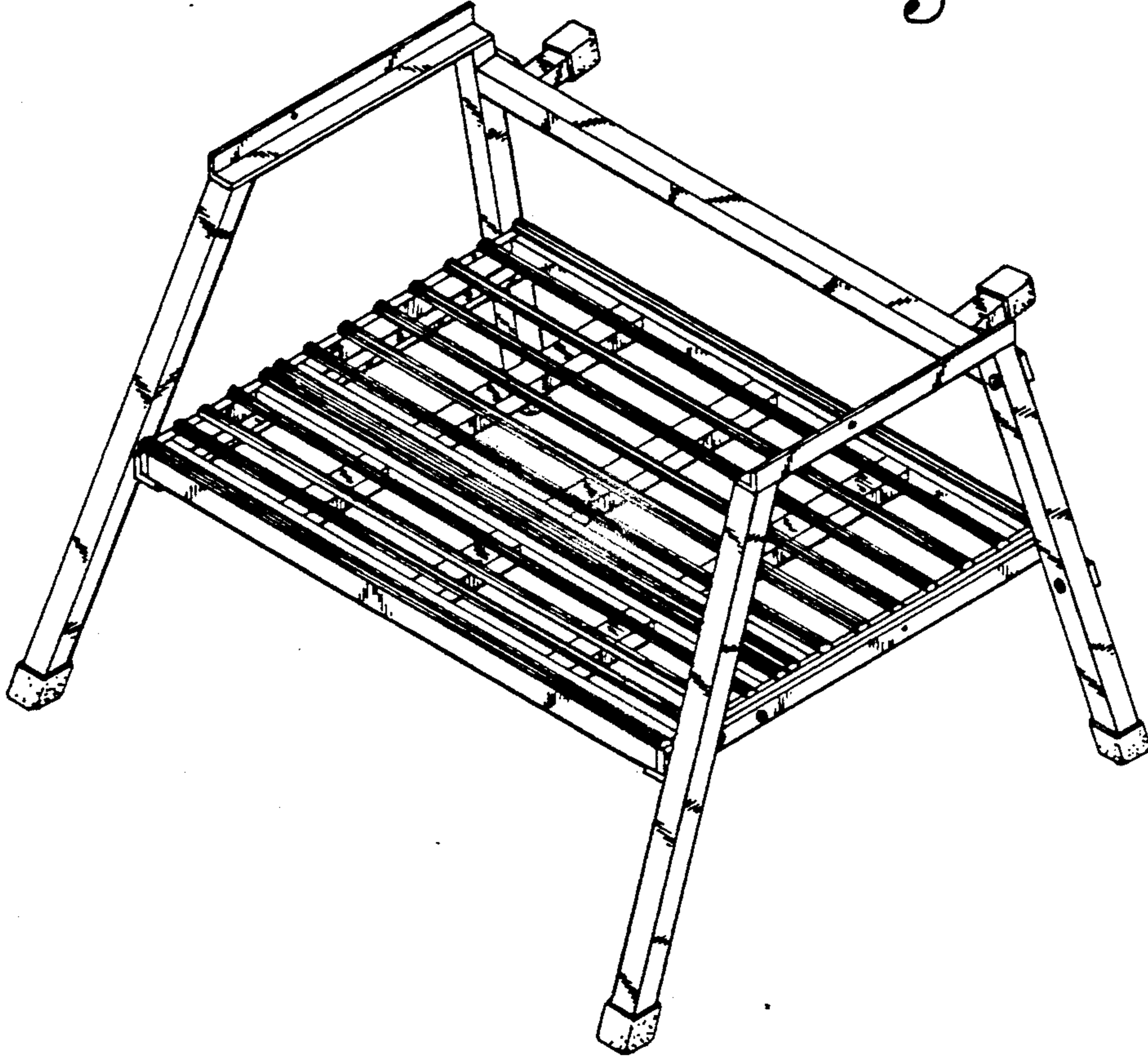


Fig. 7

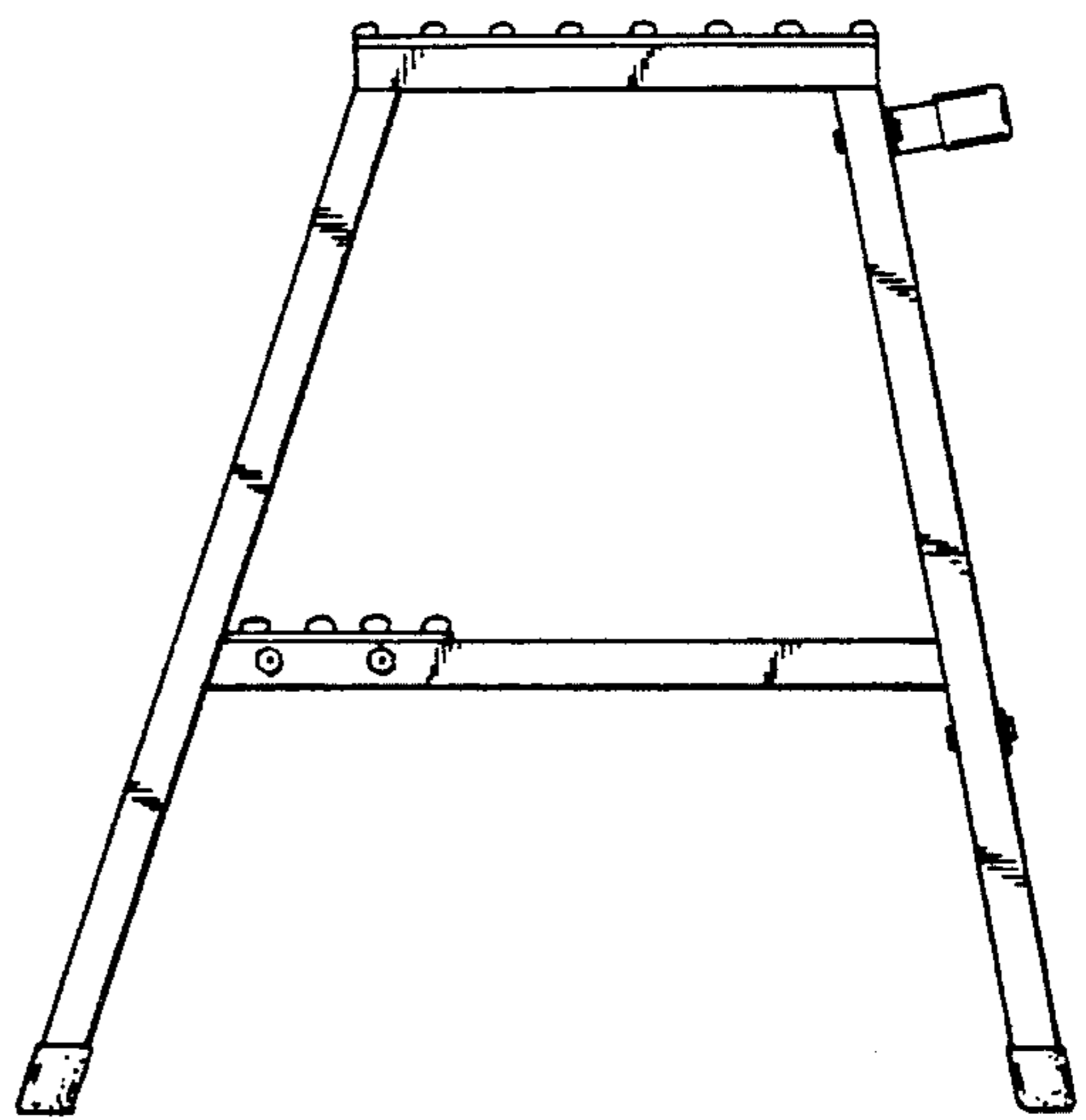
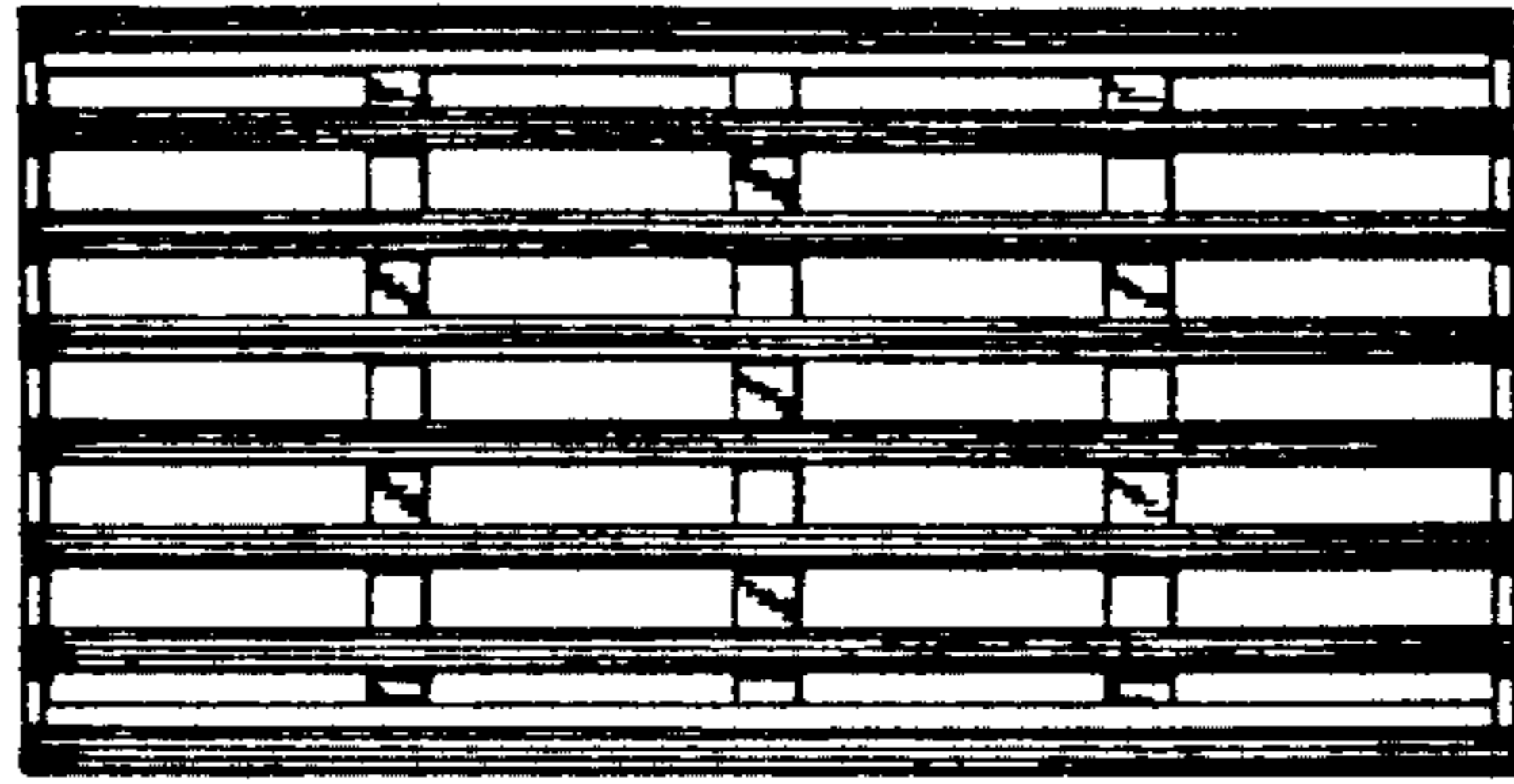
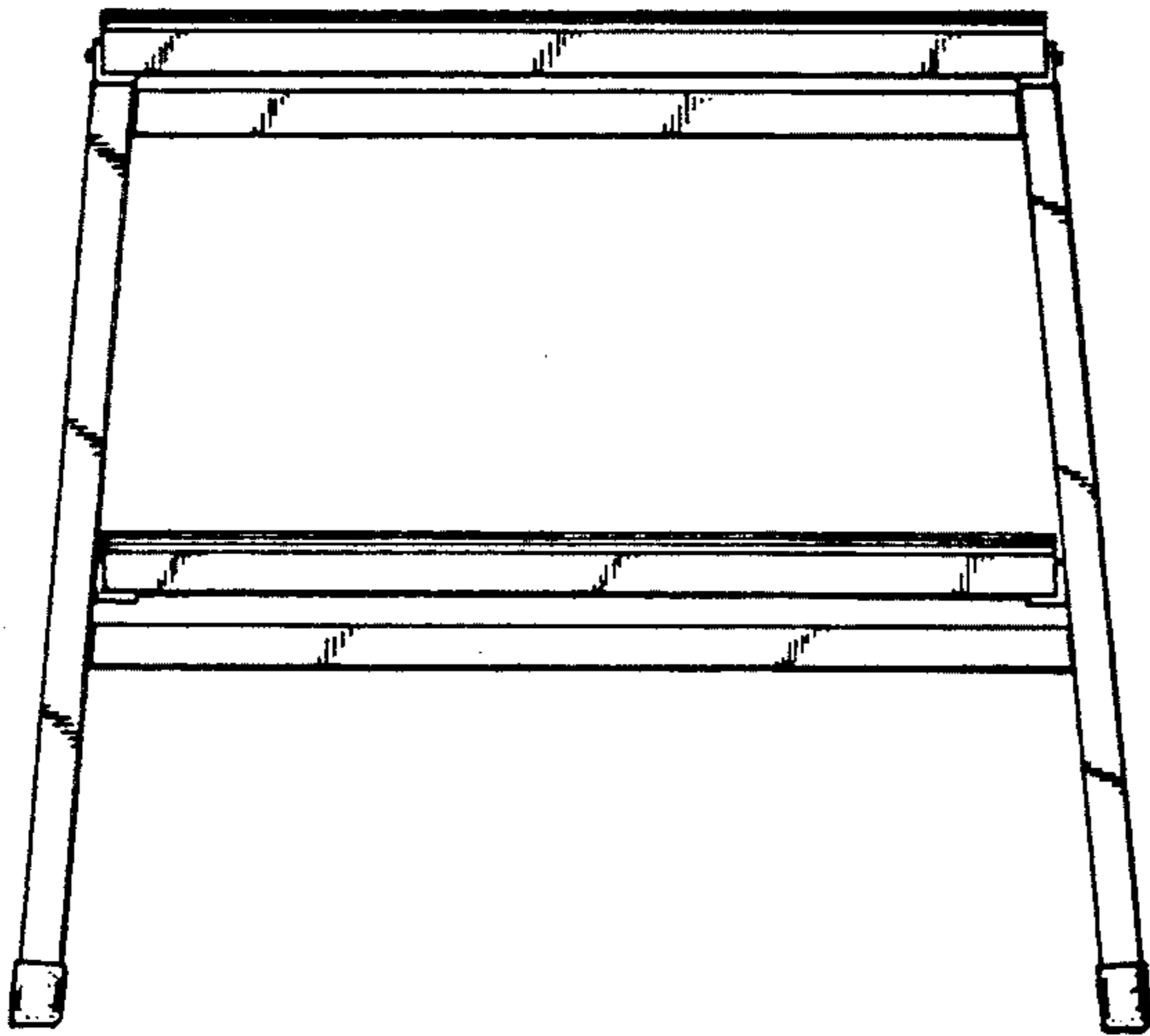


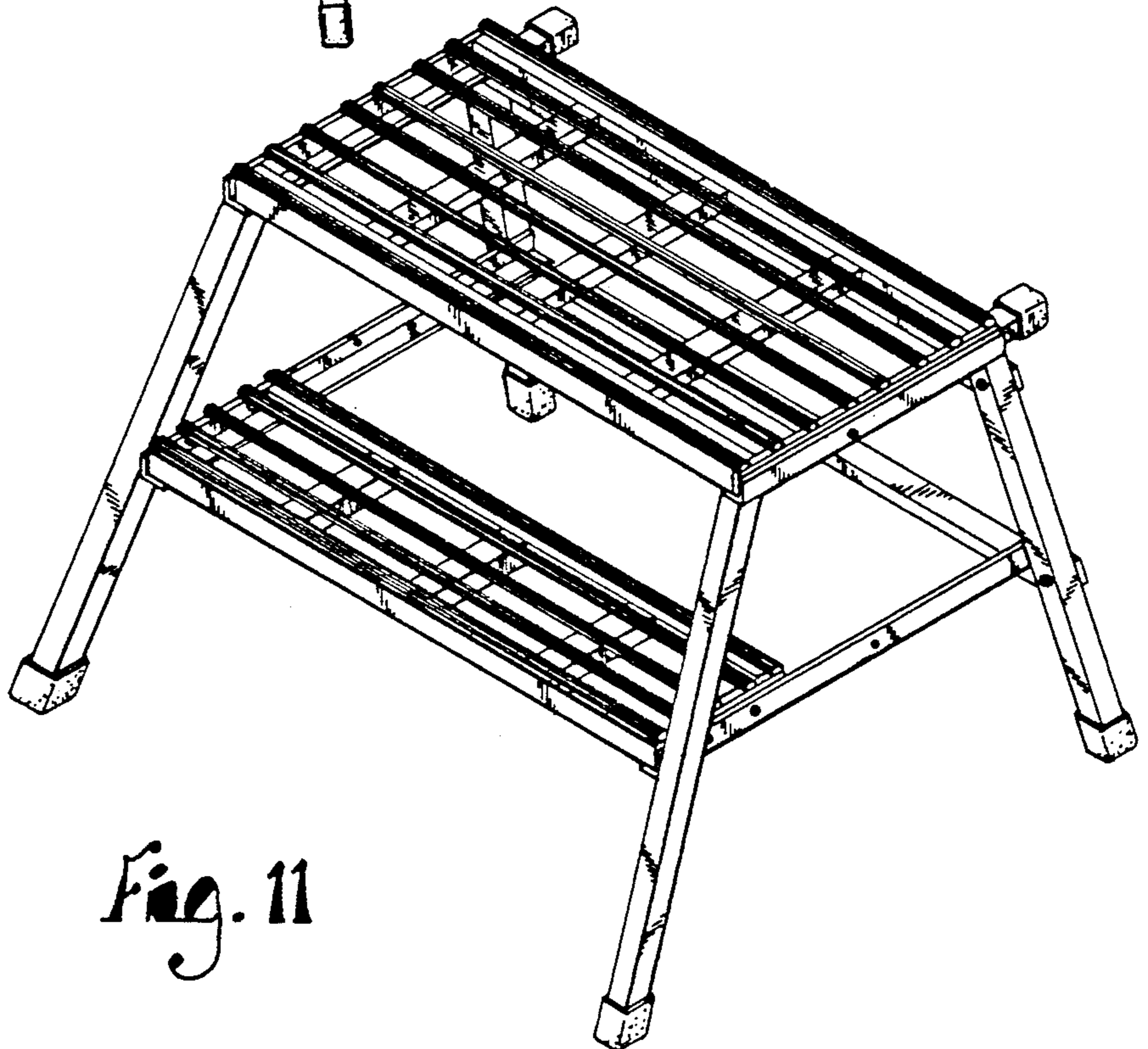
Fig. 8



*Fig. 9*



*Fig. 10*



*Fig. 11*