



US00D347735S

United States Patent [19]

[11] Patent Number: **Des. 347,735**

Ziaylek, Jr. et al.

[45] Date of Patent: **** Jun. 14, 1994**

[54] QUICK RELEASE SUPPORT TANK BRACKET

[76] Inventors: **Theodore Ziaylek, Jr.**, 140 Riverview Dr.; **Michael P. Ziaylek**, 3 Brook La., both of Yardley, Pa. 19067

[**] Term: **14 Years**

[21] Appl. No.: **5,933**

[22] Filed: **Mar. 12, 1993**

[52] U.S. Cl. **D3/316; D29/2; D8/354**

[58] Field of Search **D3/32, 100, 99, 105, D3/316; 24/650; 206/496; 211/71, 75; 224/201, 202; 248/313; 405/186, 185; 414/462; D8/354, 349, 373; D15/140; D21/236, 238; D29/2**

[56] References Cited U.S. PATENT DOCUMENTS

D. 211,217 5/1968 Bales D21/238
D. 300,340 3/1989 Falconer D21/238

2,313,944 3/1943 Keener et al. 224/201
3,429,542 2/1969 Fagan 211/75 X
4,555,083 11/1985 Carter 248/313 X
4,997,157 3/1991 Sweeny 248/313
5,022,790 6/1991 Stevenson D21/238 X

Primary Examiner—Alan P. Douglas
Assistant Examiner—Antoine D. Davis
Attorney, Agent, or Firm—Sperry, Zoda & Kane

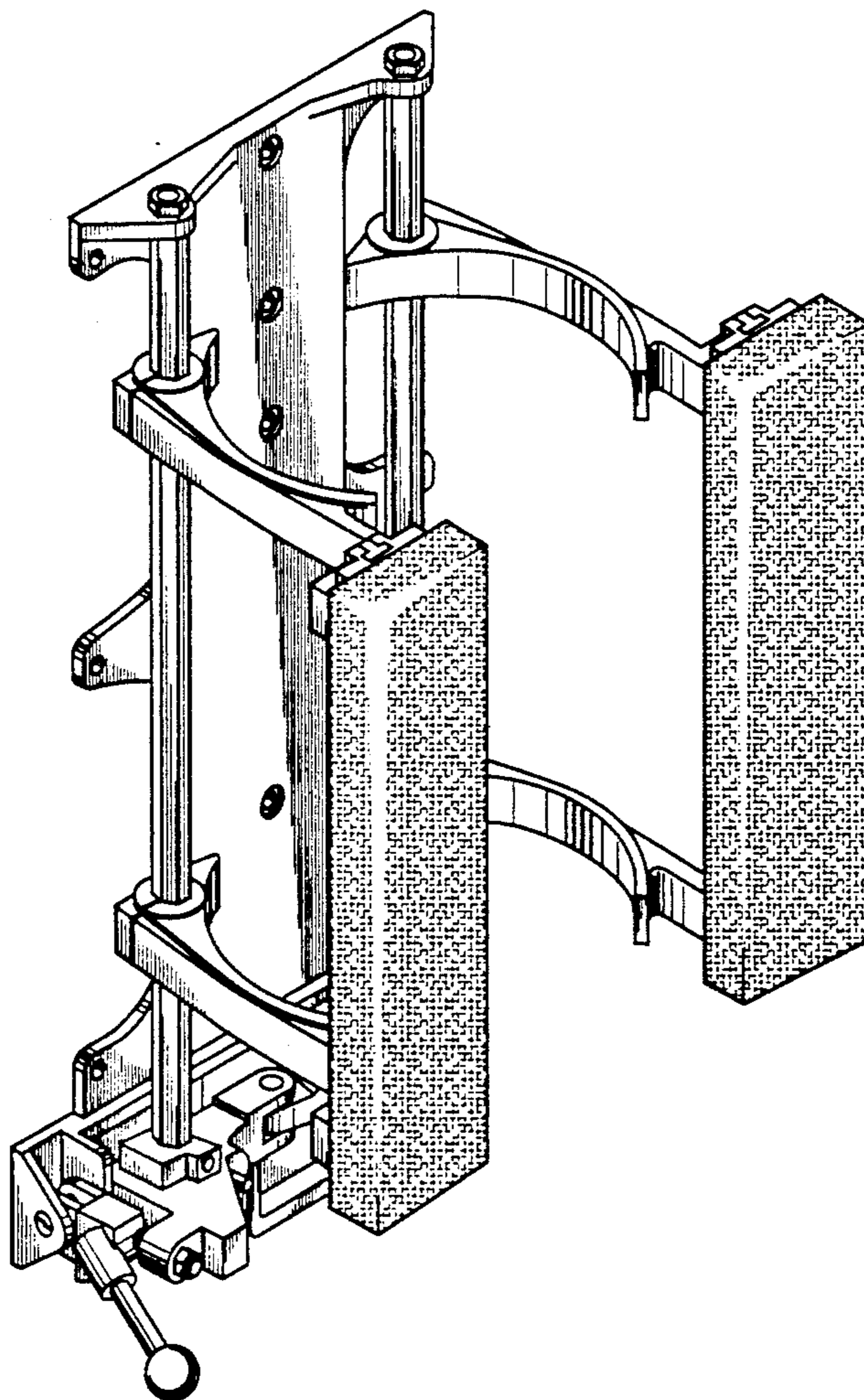
[57] CLAIM

The ornamental design for a quick release support tank bracket, as shown.

DESCRIPTION

FIG. 1 is a front perspective illustration embodying our new design of a quick release support tank bracket; FIG. 2 is a side plan view from the left of FIG. 1; FIG. 3 is a front plan view; FIG. 4 is a right side plan view of FIG. 3; FIG. 5 is a bottom plan view; FIG. 6 is a top plan view; and, FIG. 7 is a rear plan view.

The broken line showing of an air tank is for illustrative purposes only and forms no part of the claimed design.



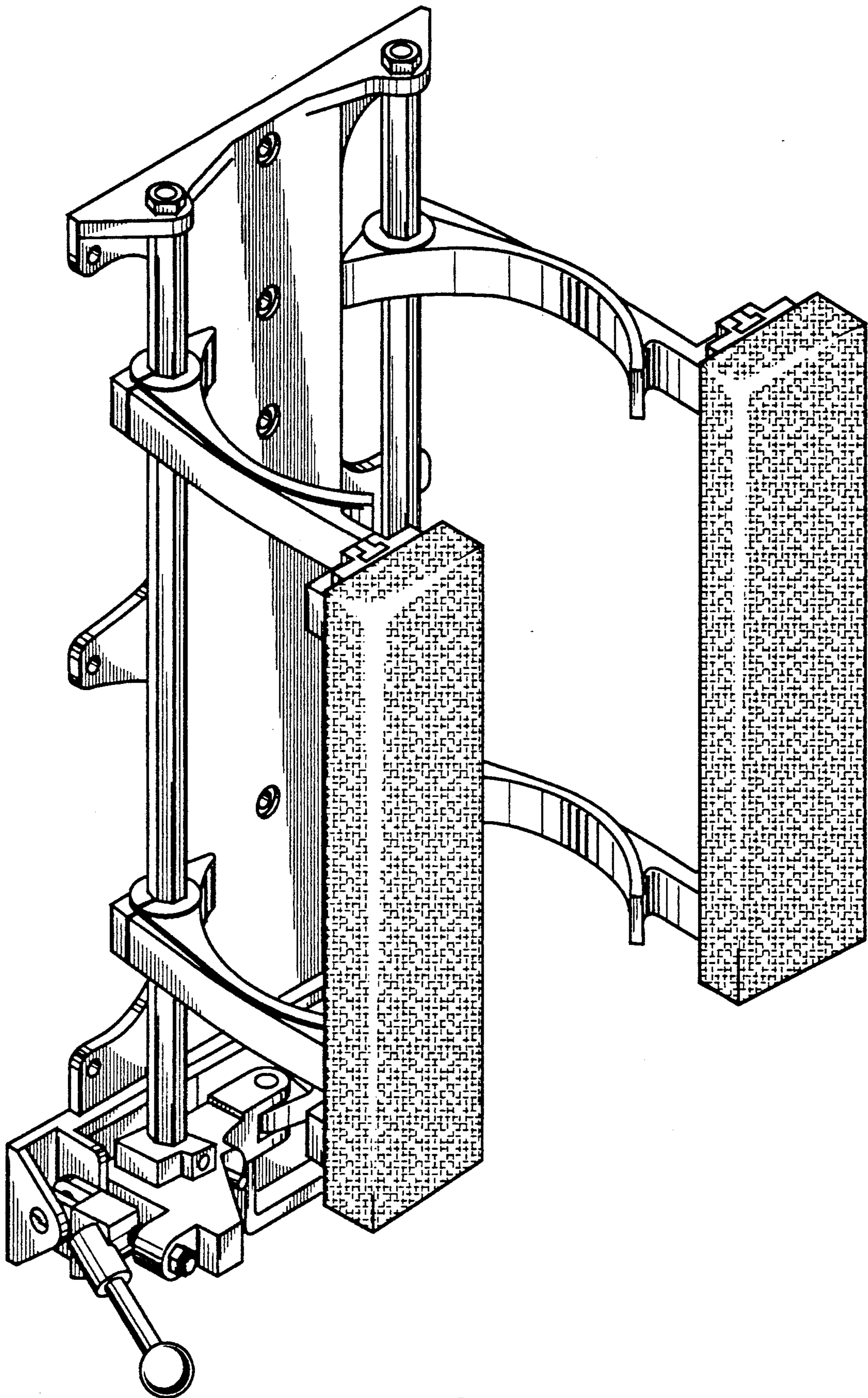


Fig. 1

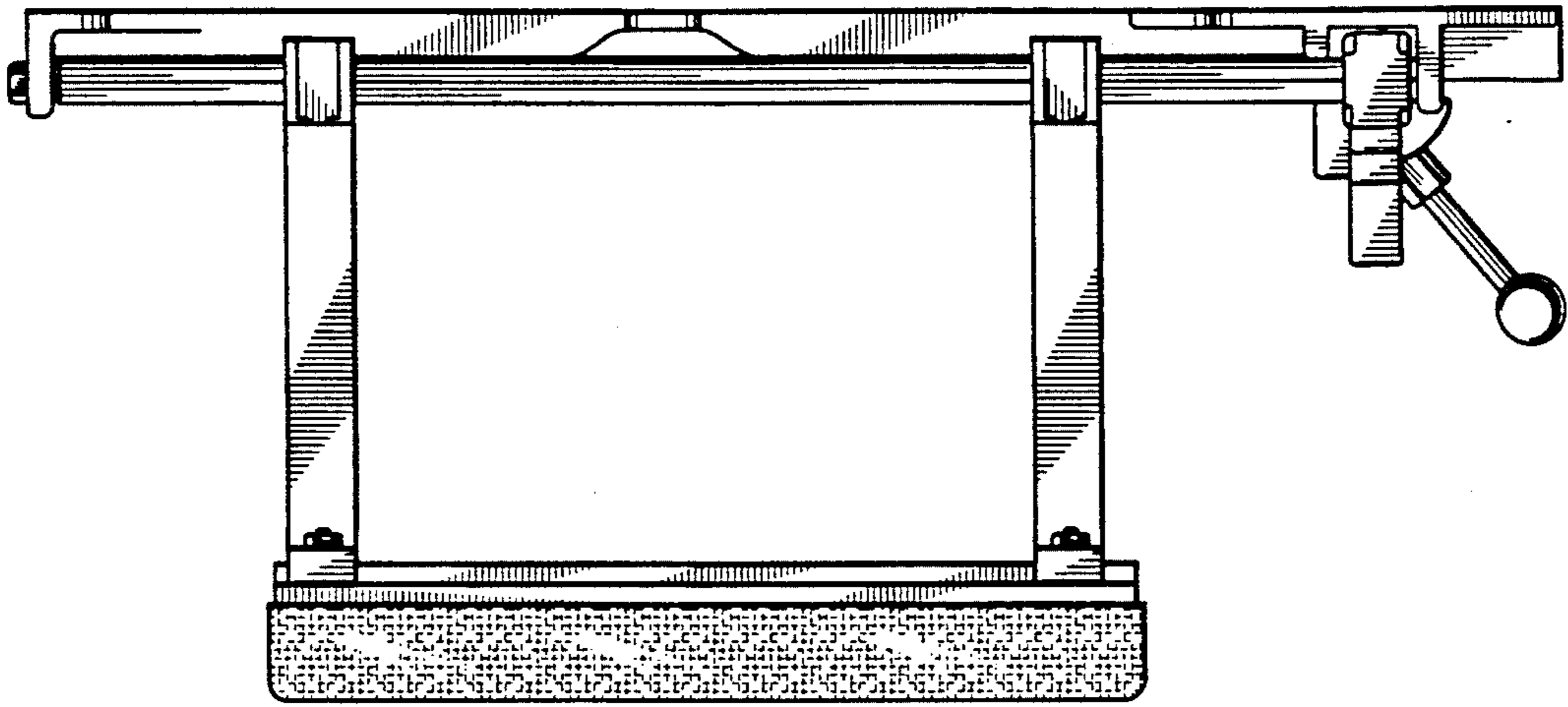


Fig. 4

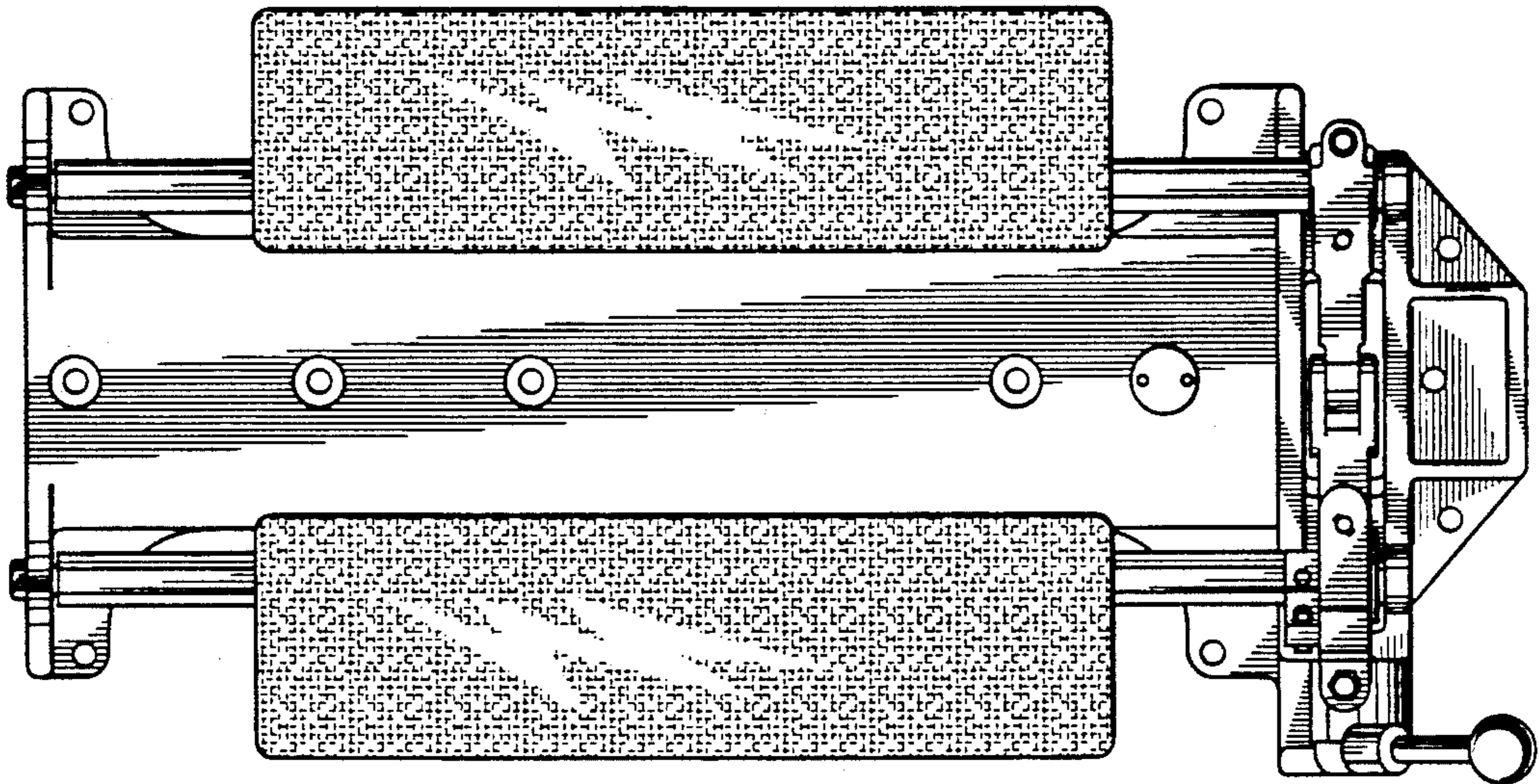


Fig. 3

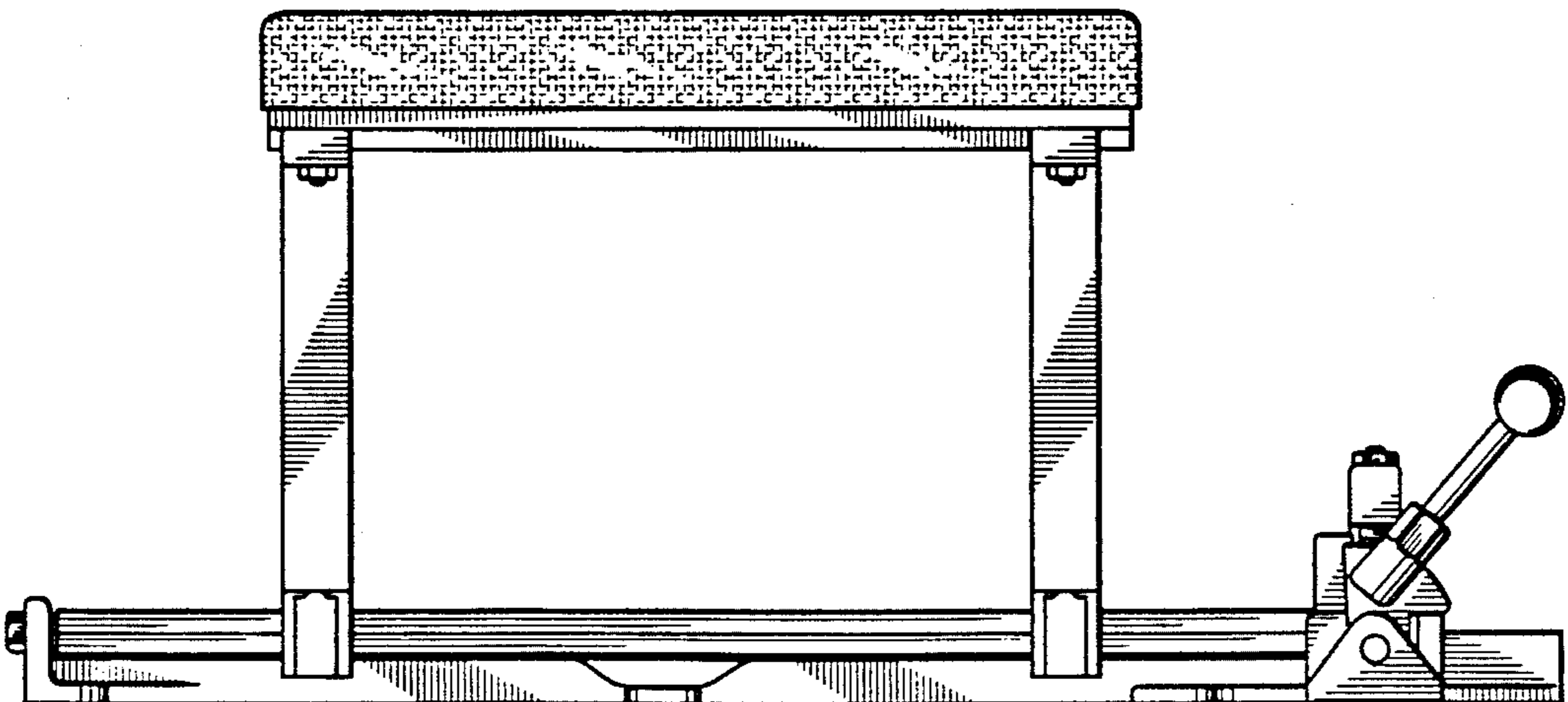


Fig. 2

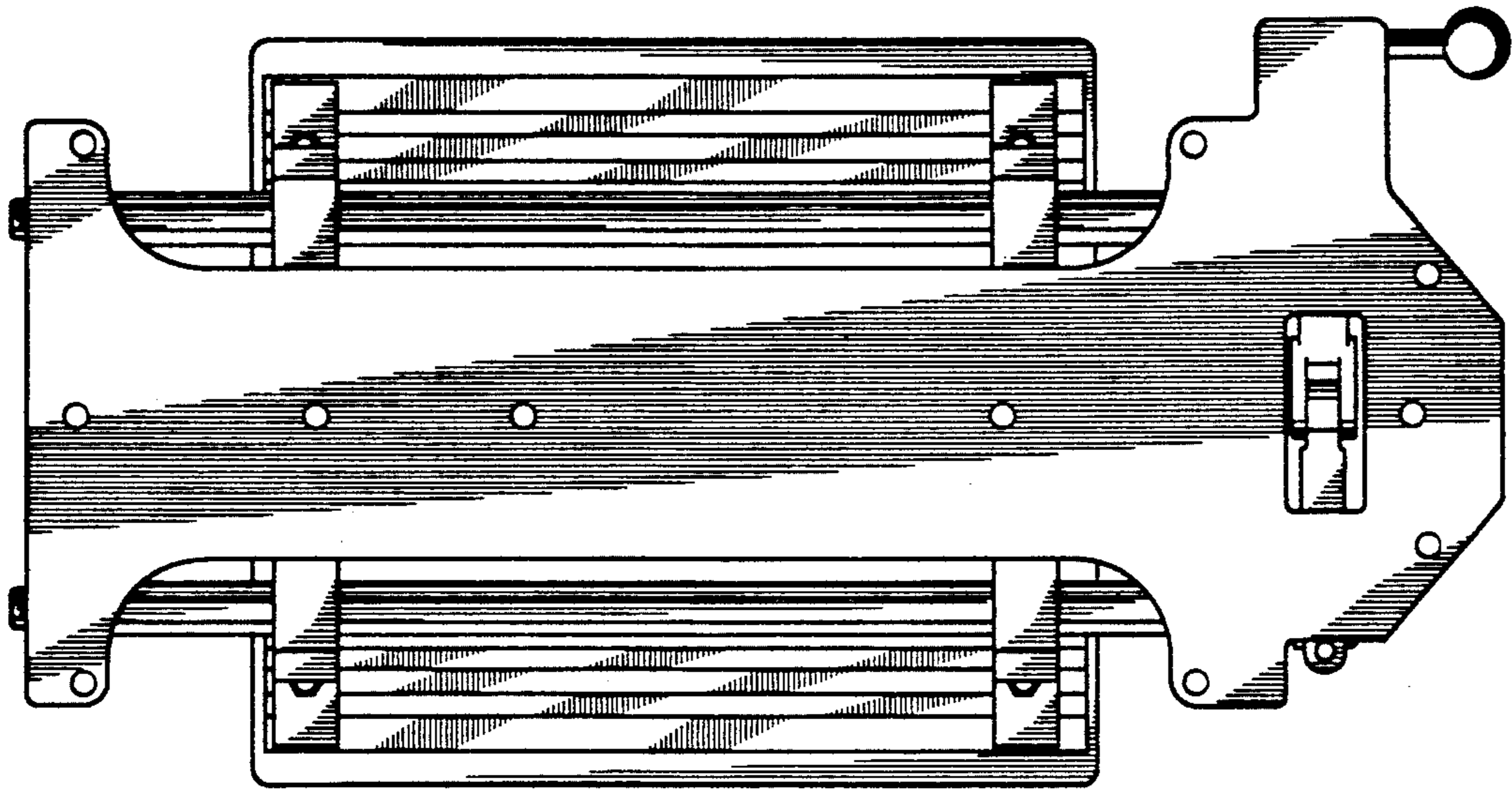


Fig. 7

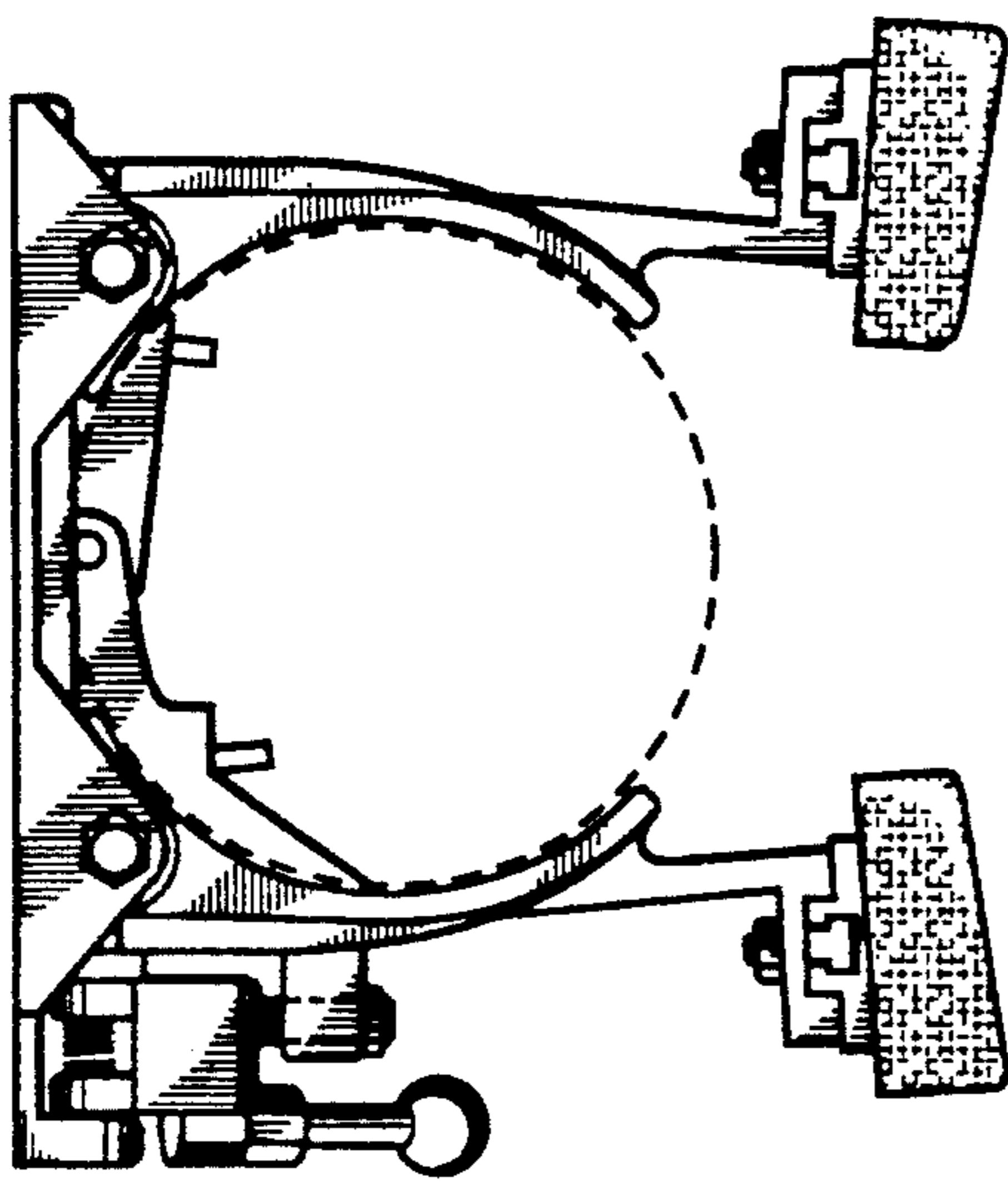


Fig. 5

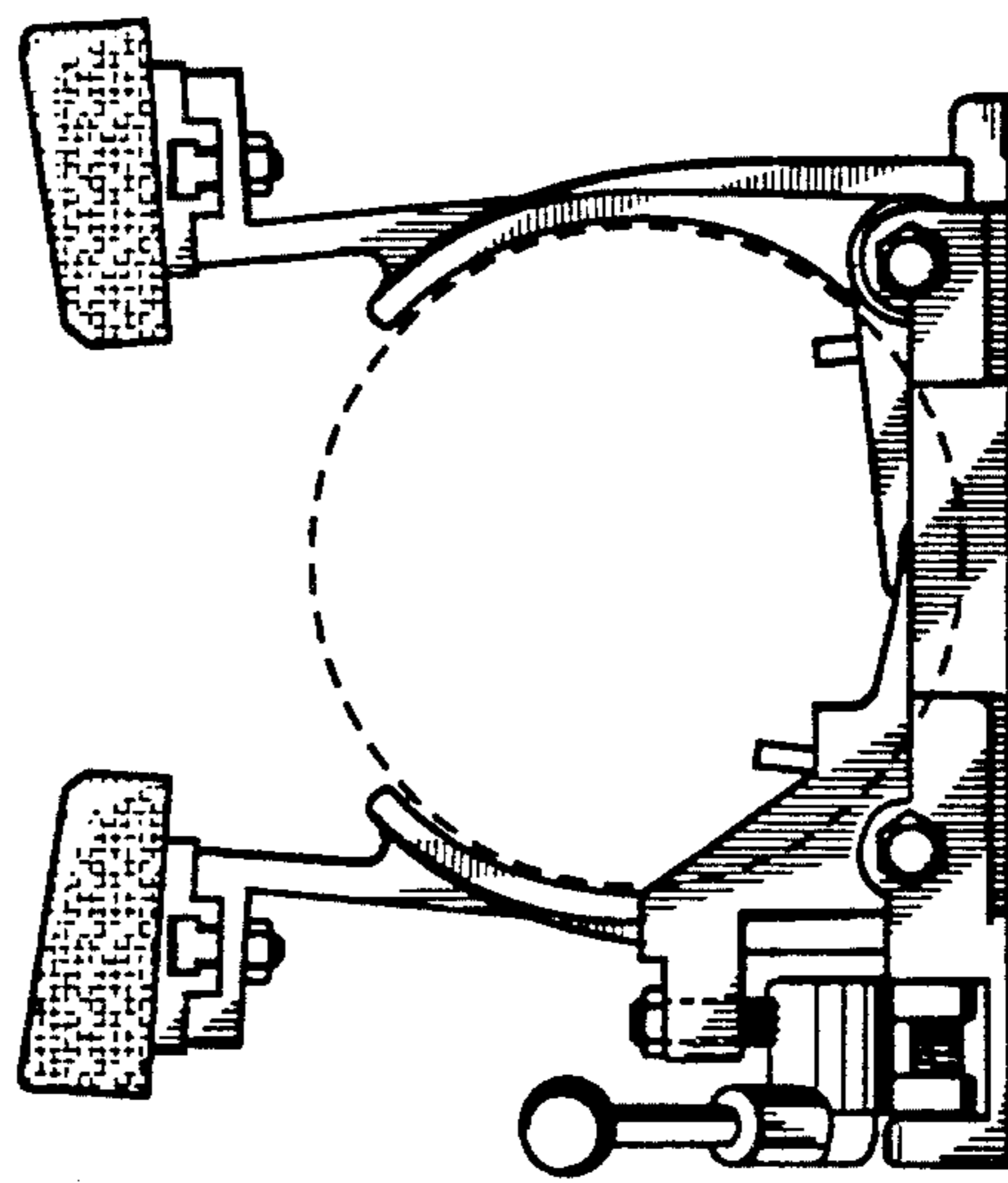


Fig. 6