



US00D347730S

# United States Patent [19]

[11] Patent Number: **Des. 347,730**

**McAllister**

[45] Date of Patent: **\*\* Jun. 14, 1994**

[54] **SHOULDER BAG**

[76] Inventor: **Rosalie McAllister**, 219-24 121st Ave., Cambria Heights, N.Y. 11411

[\*\*] Term: **14 Years**

[21] Appl. No.: **854,453**

[22] Filed: **Mar. 17, 1992**

[52] U.S. Cl. .... **D3/290**

[58] Field of Search ..... **D3/41-54;**  
383/66, 100, 102, 907; 190/100, 103, 115;  
150/100-118

D. 142,706 10/1945 Deutz ..... D3/52  
D. 244,404 5/1977 Gaylor ..... D3/52 X  
D. 273,941 5/1984 Farber ..... D3/52 X  
D. 299,384 1/1989 Donnor ..... D3/53  
D. 314,274 2/1991 Jantzen ..... D3/52

*Primary Examiner*—Louis S. Zarfes  
*Attorney, Agent, or Firm*—Lalos & Keegan

[57] **CLAIM**

The ornamental design for a shoulder bag, as shown and described.

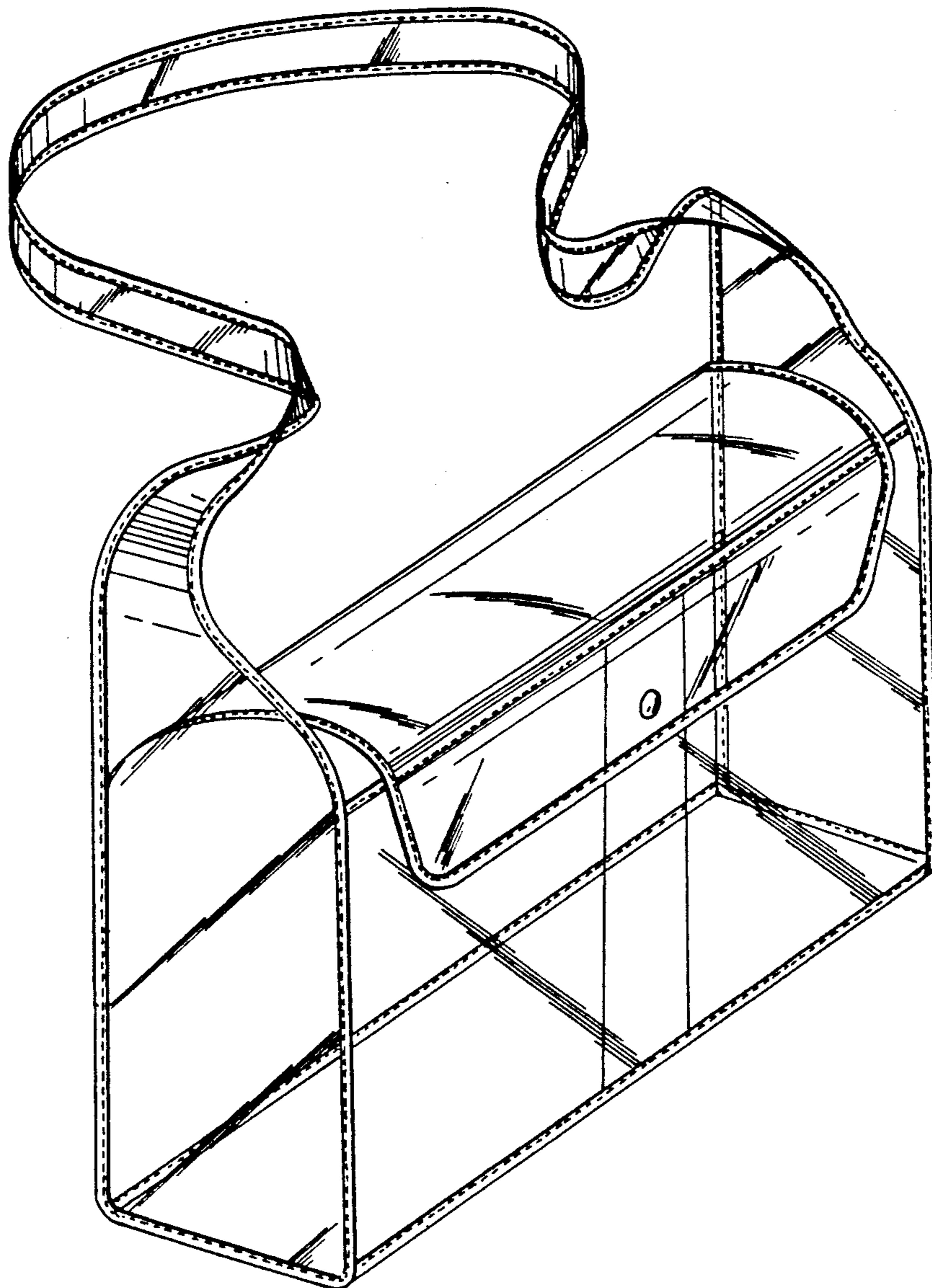
**DESCRIPTION**

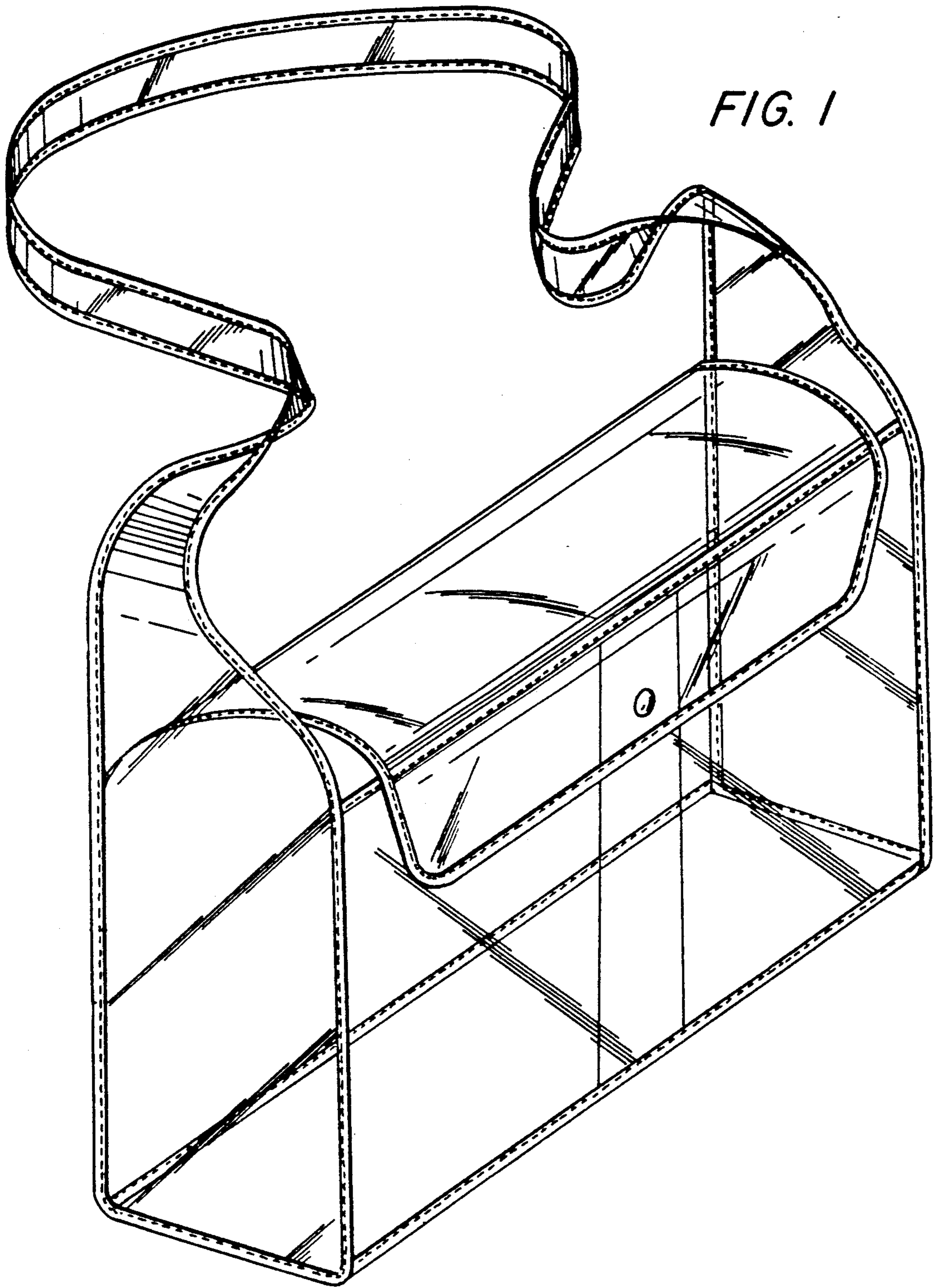
FIG. 1 is a perspective view of a shoulder bag showing my new design;  
FIG. 2 is a front elevational view; and,  
FIG. 3 is a side elevational view.

[56] **References Cited**

**U.S. PATENT DOCUMENTS**

D. 140,229 2/1945 Friedman ..... D3/47





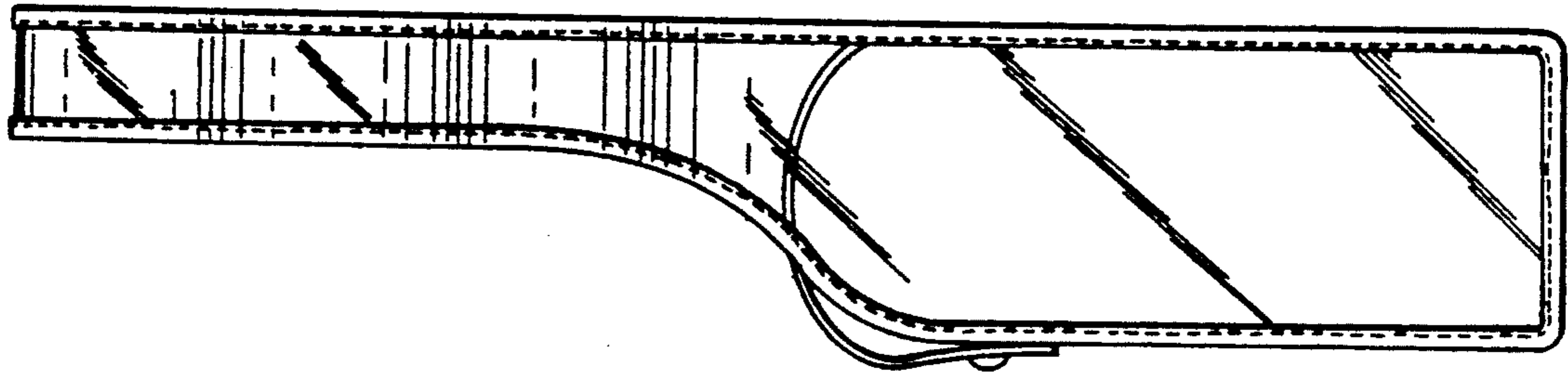


FIG. 3

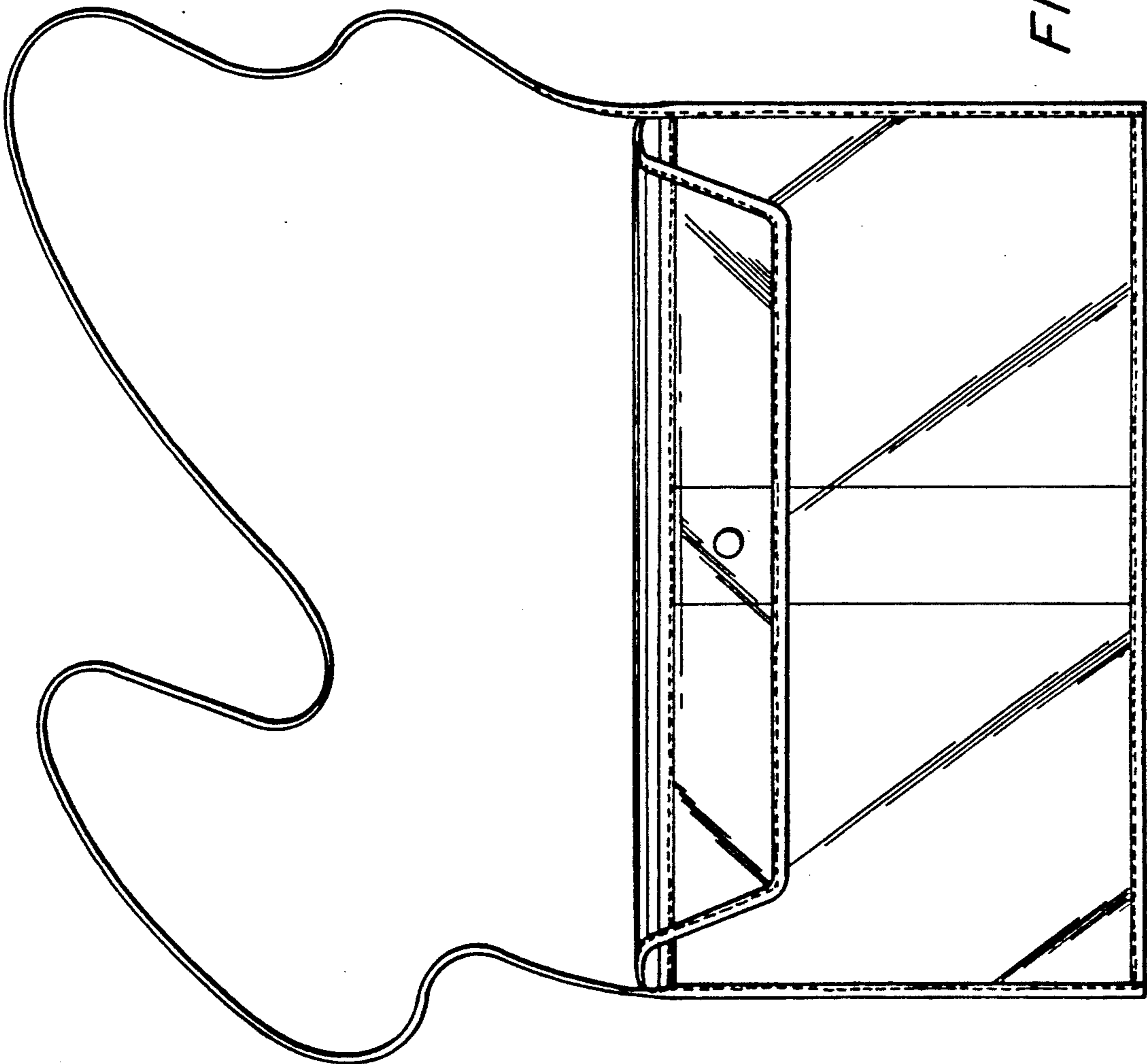


FIG. 2