



US00D347729S

United States Patent [19]

[11] Patent Number: Des. 347,729

Bible, Jr.

[45] Date of Patent: ** Jun. 14, 1994

[54] LIGHTED PORTABLE TOILETRY CASE

[76] Inventor: Charles A. Bible, Jr., Rte. 4, Box 193B, Decatur, Tex. 76234

[**] Term: 14 Years

[21] Appl. No.: 903,659

[22] Filed: Jun. 24, 1992

[52] U.S. Cl. D3/274; D3/284

[58] Field of Search D3/39; 150/100-118; 190/100, 103, 115; 206/235, 385, 581, 823; 362/136, 137; D28/73, 78, 83

D. 305,809	1/1990	Weber et al.	D28/76
D. 307,668	5/1990	Young	D3/39
D. 308,756	6/1990	Turner	D3/39
D. 313,502	1/1991	Vasky	D3/39
D. 315,247	3/1991	Lovell	D3/72
D. 317,082	5/1991	Madison	D3/74

Primary Examiner—Louis S. Zarfaz
Attorney, Agent, or Firm—Timmons & Kelly

[57] CLAIM

The ornamental design for a lighted portable toiletry case, as shown and described.

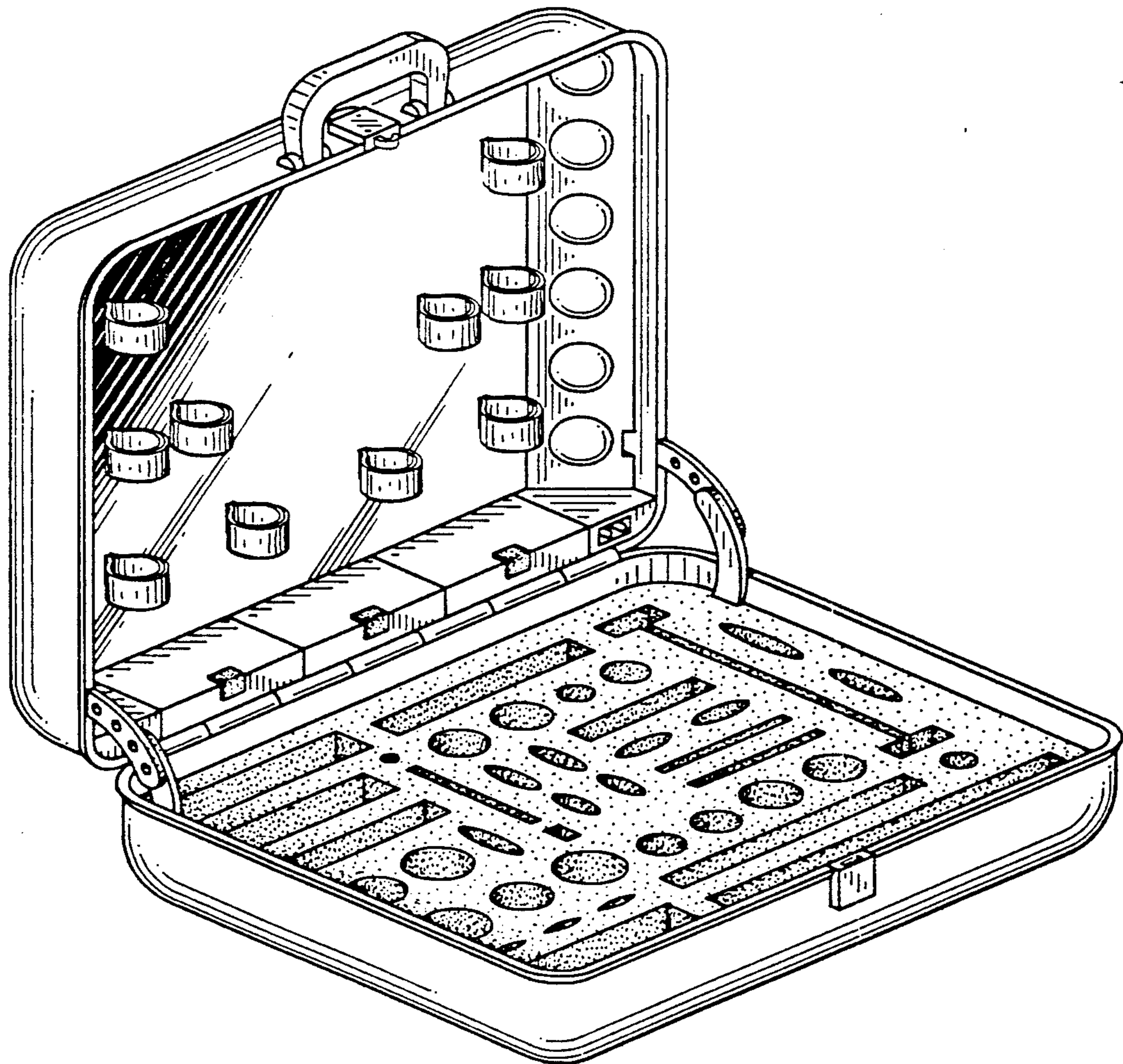
DESCRIPTION

FIG. 1 is a perspective view of a lighted portable toiletry case showing my new design; FIG. 2 is a front elevation thereof; FIG. 3 is a rear elevation thereof; FIG. 4 is a right side elevation, the opposite side being identical thereto; FIG. 5 is a top plan view thereof; FIG. 6 is a bottom plan view thereof; and, FIG. 7 is a partial perspective view thereof with the compartments in open condition.

[56] References Cited

U.S. PATENT DOCUMENTS

D. 135,358	3/1943	Botham	D3/39
D. 160,238	9/1950	Worcester	D3/39
D. 258,324	2/1981	Rader	D3/39
D. 261,825	11/1981	Benson et al.	D3/39
D. 275,425	9/1984	Briggs	D3/39 X
D. 284,424	7/1986	Gotlib et al.	D3/39
D. 290,536	6/1987	Nadel	D28/83
D. 290,786	7/1987	Townley	D3/39



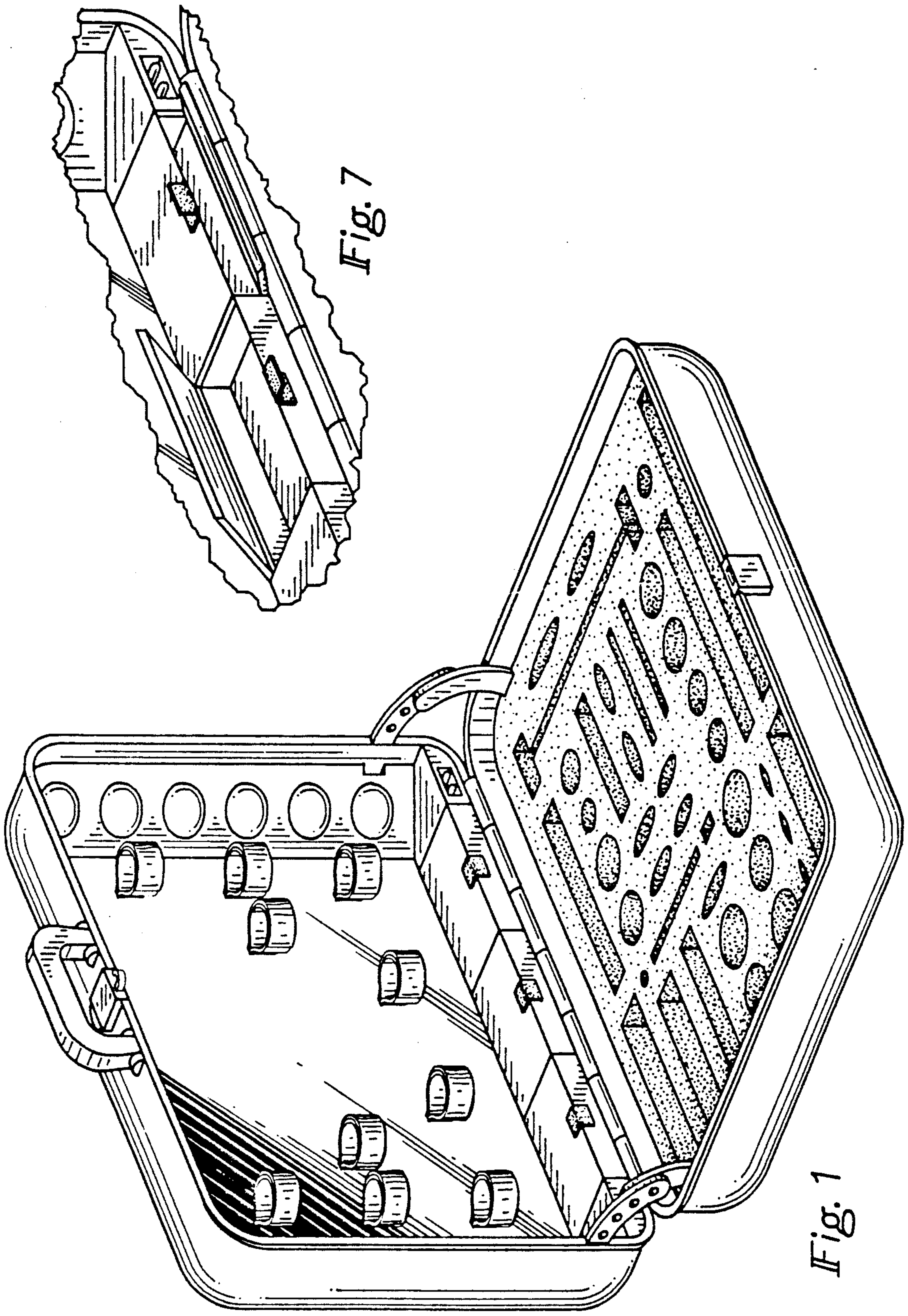


Fig. 7

Fig. 1

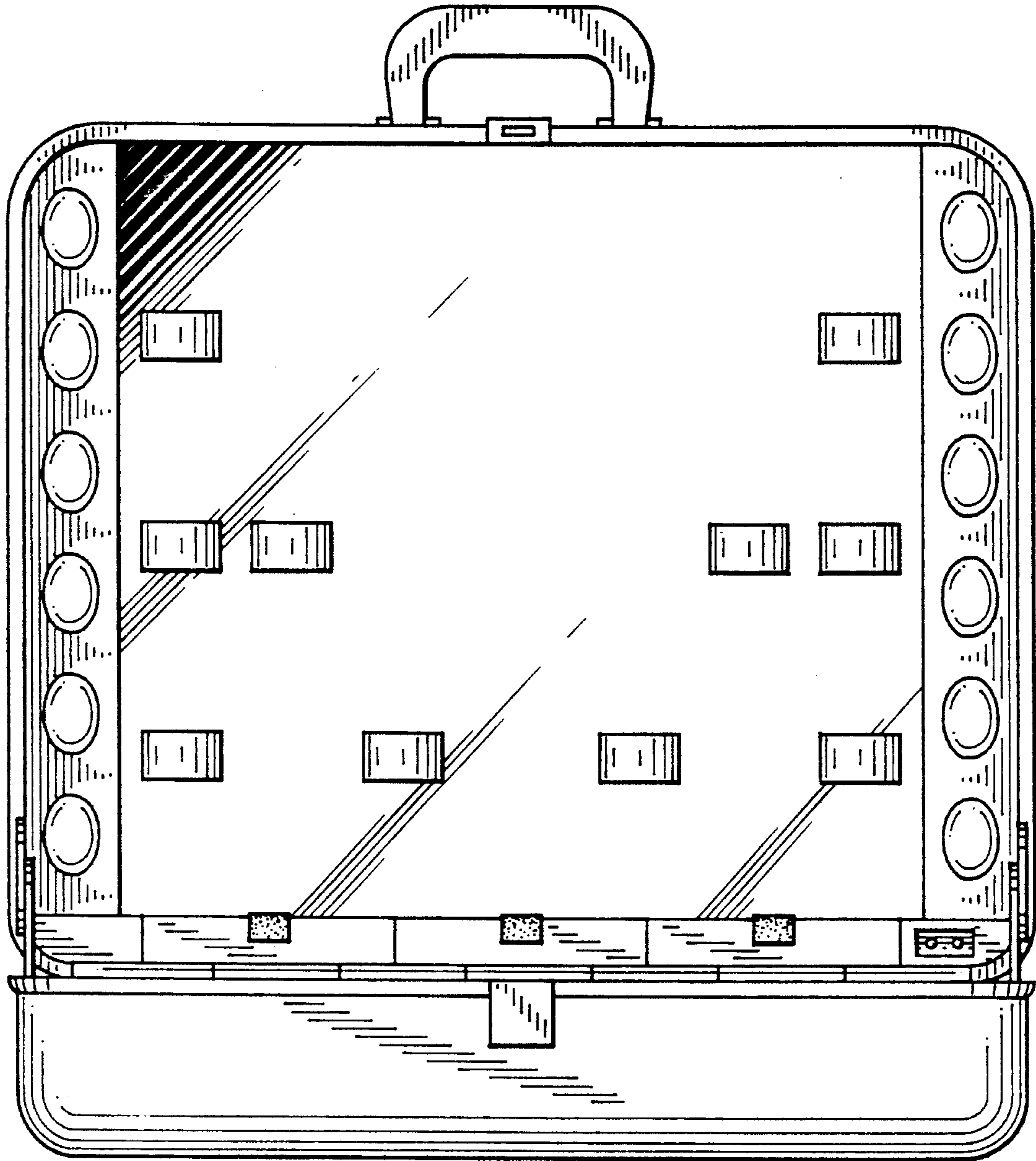


Fig. 2

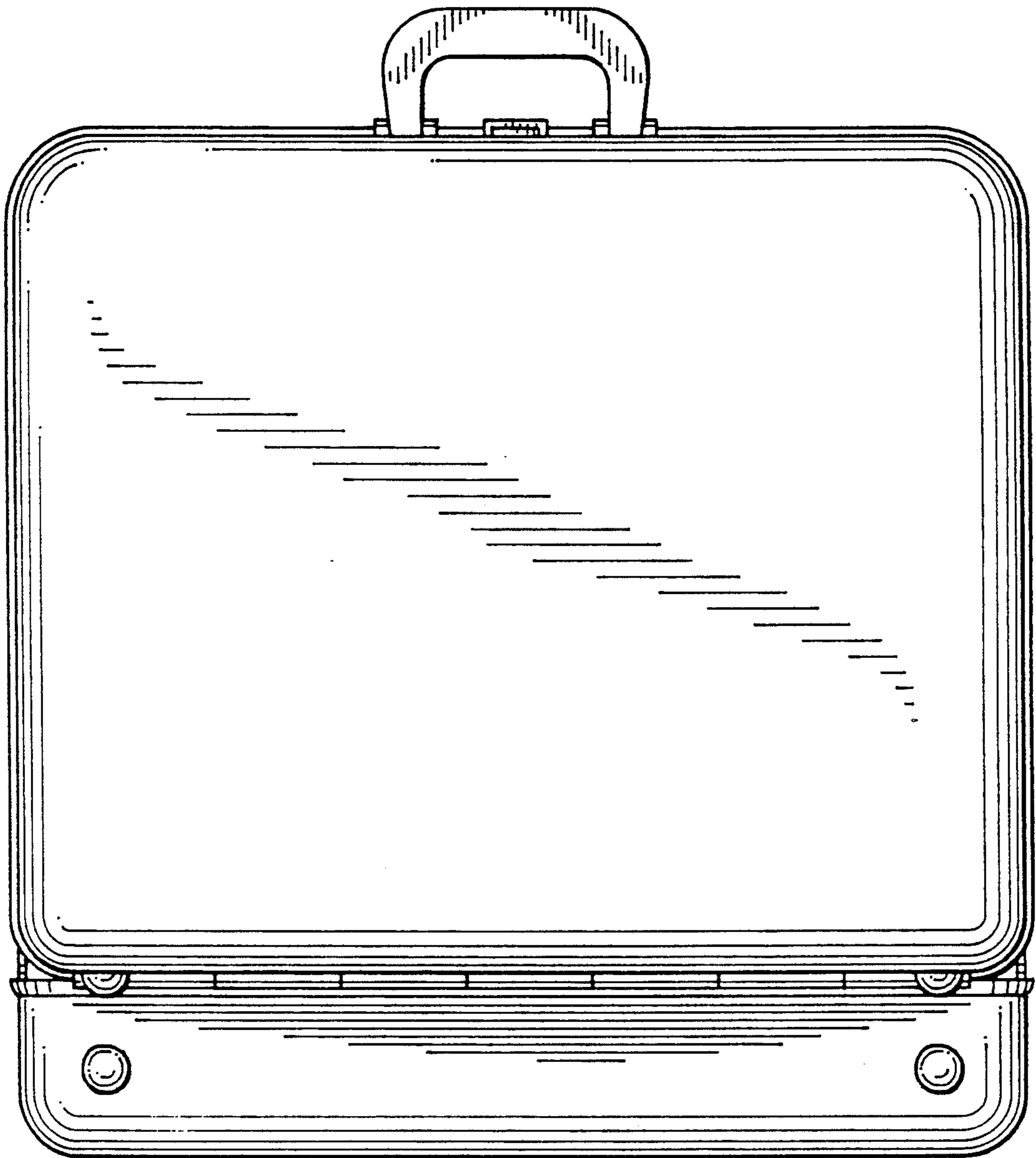


Fig. 3

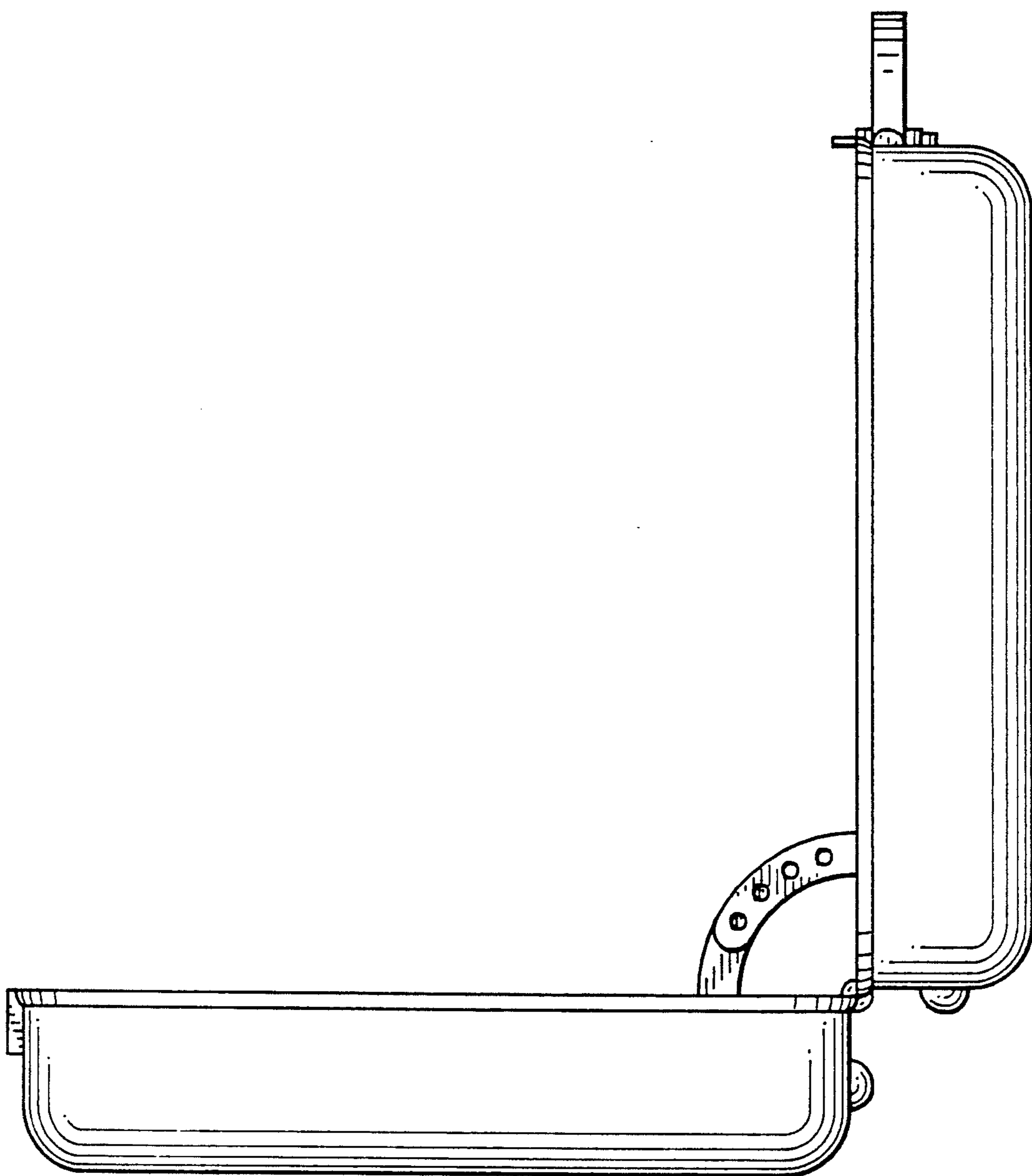


Fig. 4

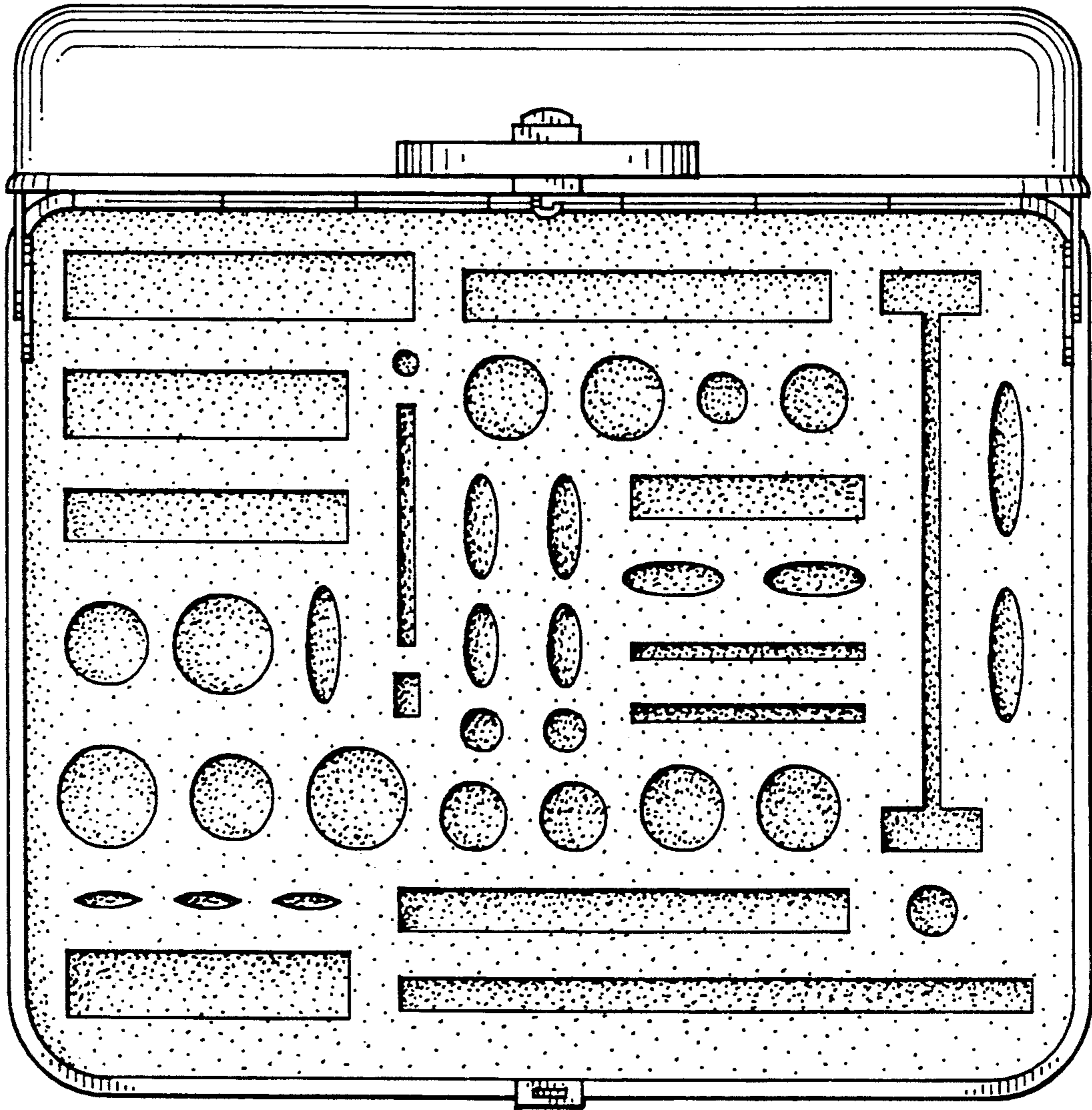


Fig. 5

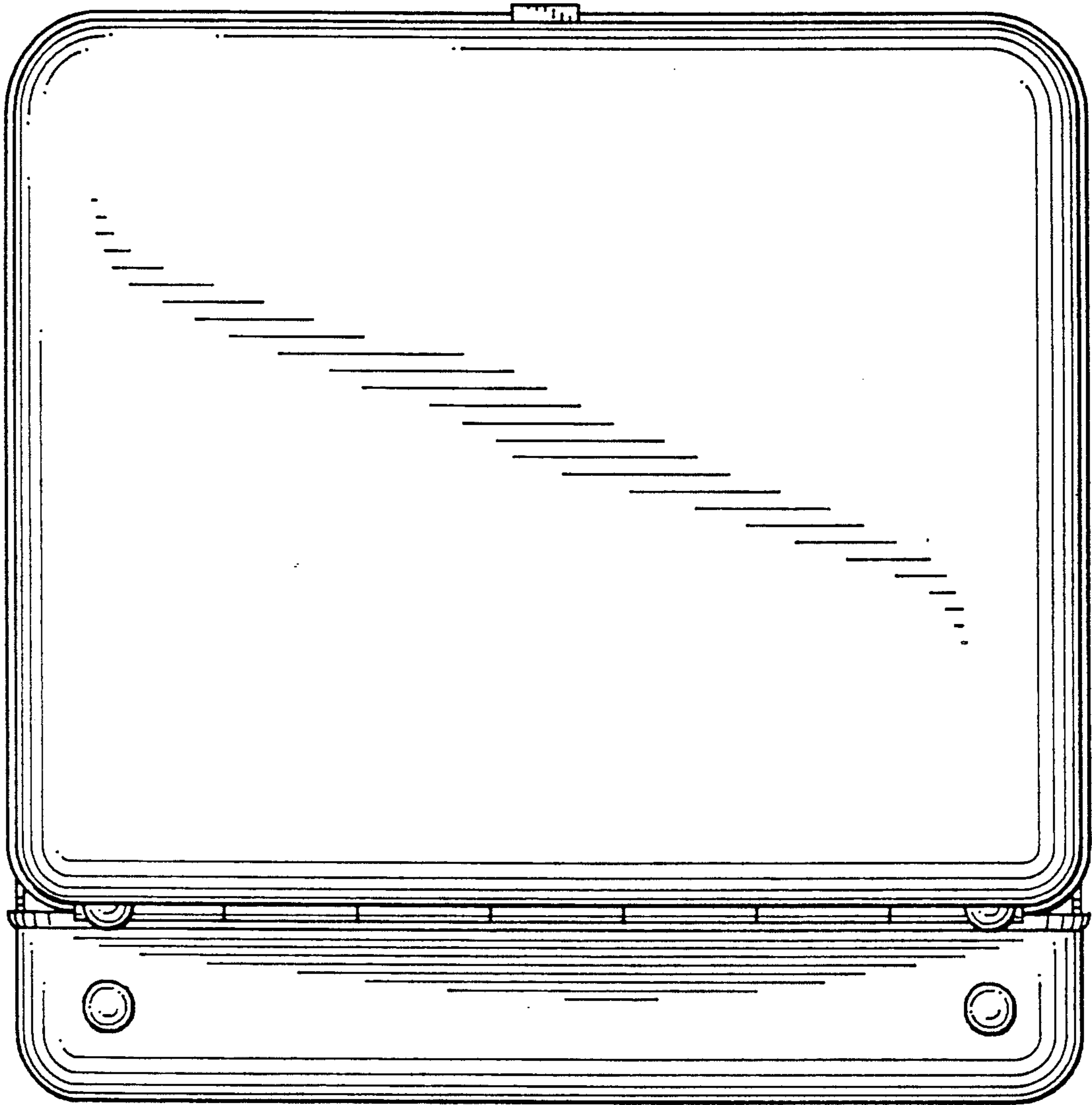


Fig. 6