



US00D347728S

United States Patent [19]

[11] Patent Number: Des. 347,728

Taniyama

[45] Date of Patent: ** Jun. 14, 1994

[54] STORAGE CONTAINER

[76] Inventor: **Yoshihiko Taniyama**, 9380 Old Southwick Pass, Fulton County, Alpharetta, Ga. 30202

[**] Term: **14 Years**

[21] Appl. No.: **2,490**

[22] Filed: **Dec. 14, 1992**

[52] U.S. Cl. **D6/634**

[58] Field of Search **D3/33, 35, 30.1, 78; 206/444, 307, 309, 311, 312, 387; 360/133; D19/26**

[56] References Cited

U.S. PATENT DOCUMENTS

D. 260,122	8/1981	Turner	D3/35
D. 304,880	12/1989	Philosophe	D3/35
D. 315,982	4/1991	Kunimune et al.	D3/35
D. 318,368	7/1991	Evans	D3/35
D. 335,215	5/1993	Stumpff	D3/35
4,084,690	4/1978	Pulse	206/310
4,702,369	10/1987	Philosophe	206/310 X
4,874,085	10/1989	Grebecker et al.	206/444 X
5,145,068	9/1992	Schmitz et al.	206/472
5,208,802	5/1993	Suzuki et al.	206/310 X

OTHER PUBLICATIONS

Taylor Gift Catalog Apr. 1990, p. 90, CD Case.
The Paragon, Fall 1990 Catalog, p. 56, CD Case.

Primary Examiner—Prabhakar G. Deshmukh
Attorney, Agent, or Firm—Troutman Sanders

[57] CLAIM

The ornamental design for a storage container, as shown and described.

DESCRIPTION

FIG. 1 is a top, front, left side perspective view of the storage container of the present invention in the open position;

FIG. 2 is a front elevational view of the storage container of FIG. 1;

FIG. 3 is a rear elevational view of the storage container of FIG. 1;

FIG. 4 is a top plan view of the storage container of FIG. 1;

FIG. 5 is a left side elevational view of the storage container of FIG. 1 with the right side elevational view being a mirror image thereof;

FIG. 6 is a cross-sectional view along line 6—6 of the storage container of FIG. 4;

FIG. 7 is a bottom plan view of the storage container of FIG. 1;

FIG. 8 is a top, front left side perspective view of the storage container of the present invention in the closed position;

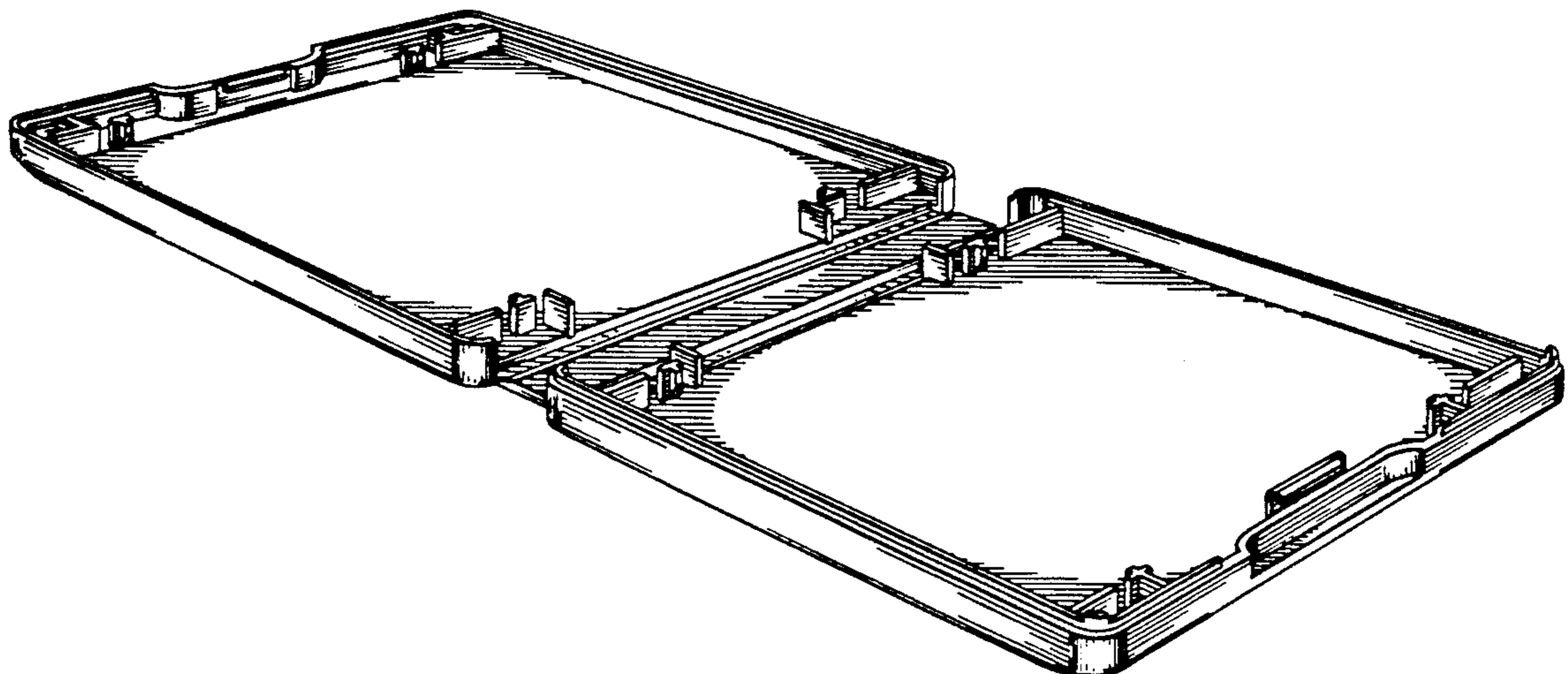
FIG. 9 is a front elevational view of the storage container of FIG. 8;

FIG. 10 is a rear elevational view of the storage container of FIG. 8;

FIG. 11 is a top plan view of the storage container of FIG. 8, with the bottom plan view being a mirror image thereof;

FIG. 12 is a left side elevational view of the storage container of FIG. 8 with the right side elevational view being a mirror image thereof; and,

FIG. 13 is a cross-sectional view along line 13—13 of the storage container of FIG. 11.



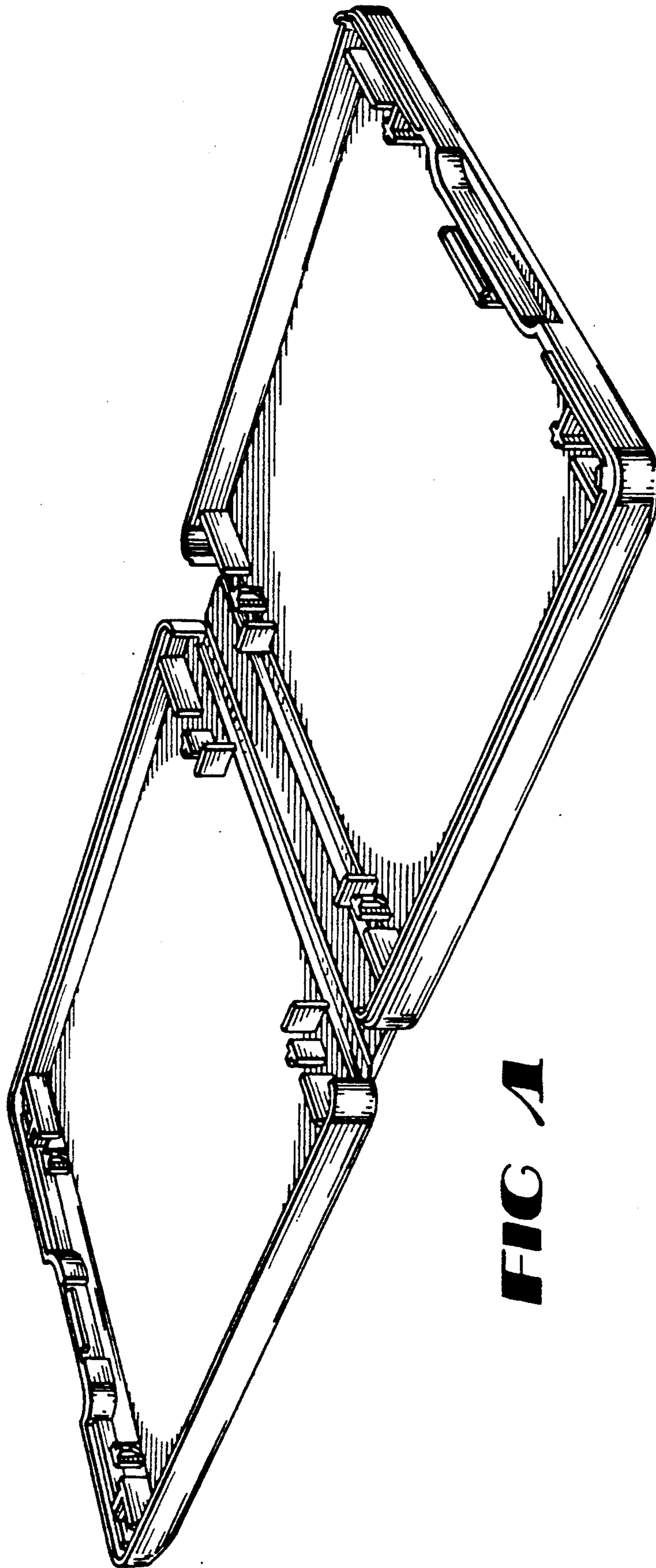


FIG 1



FIG 3



FIG 2

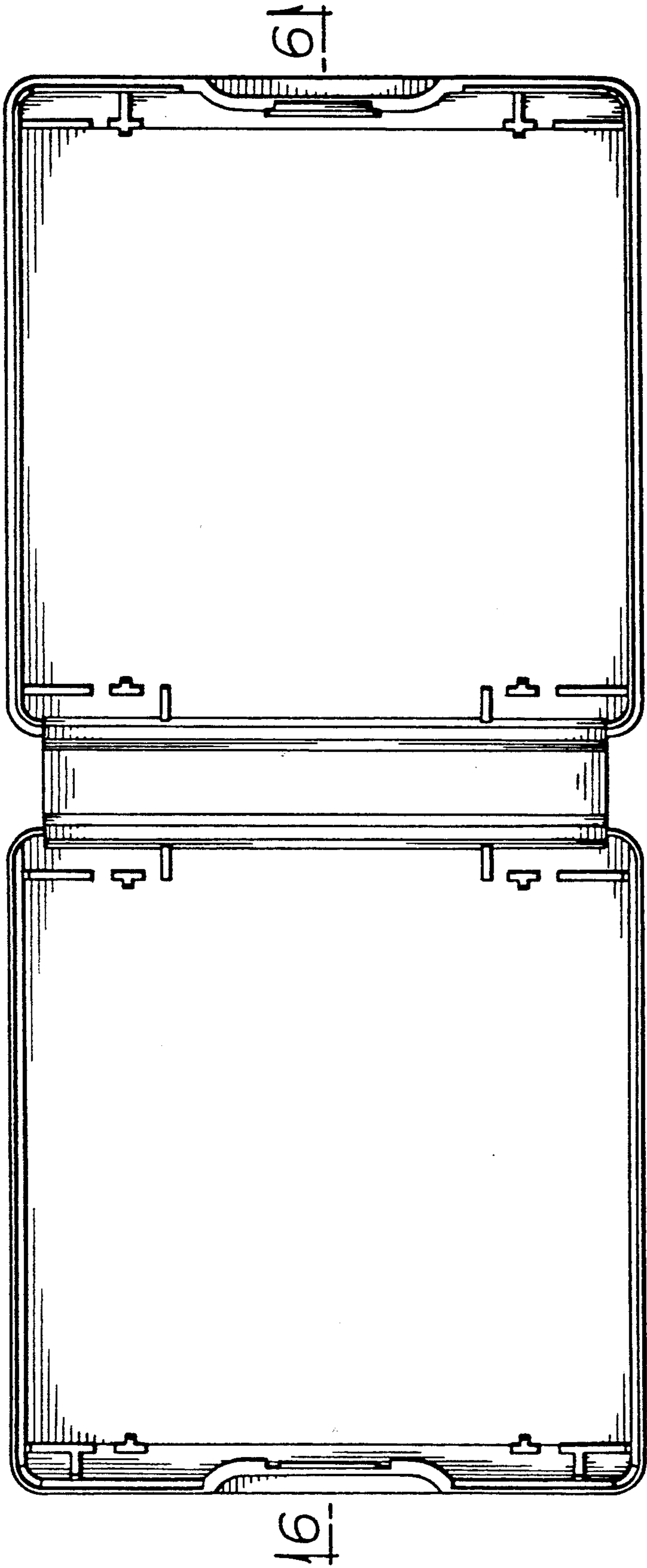


FIG 4

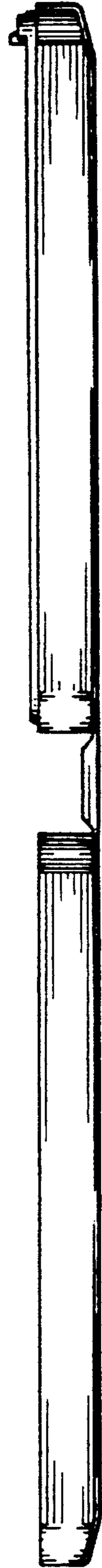


FIG 5



FIG 6

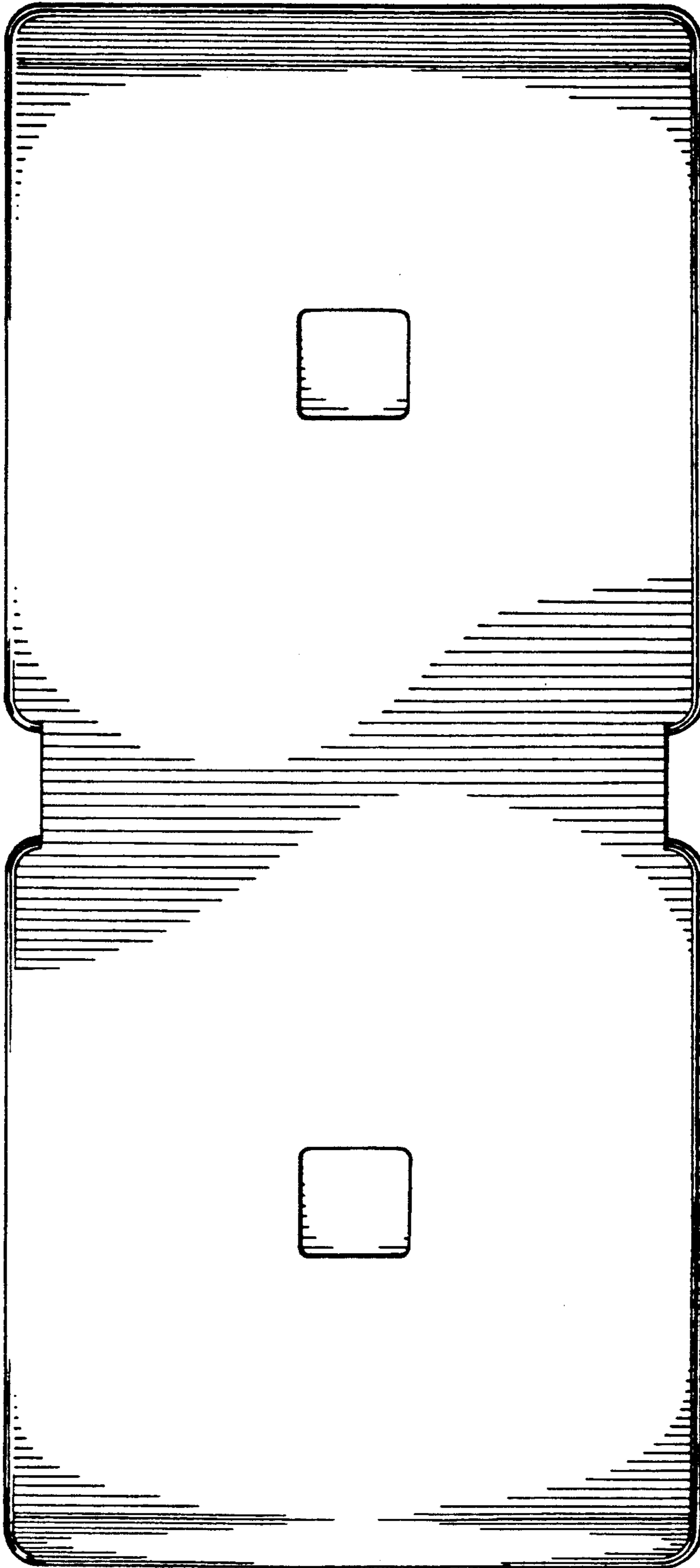


FIG 7



FIG 9

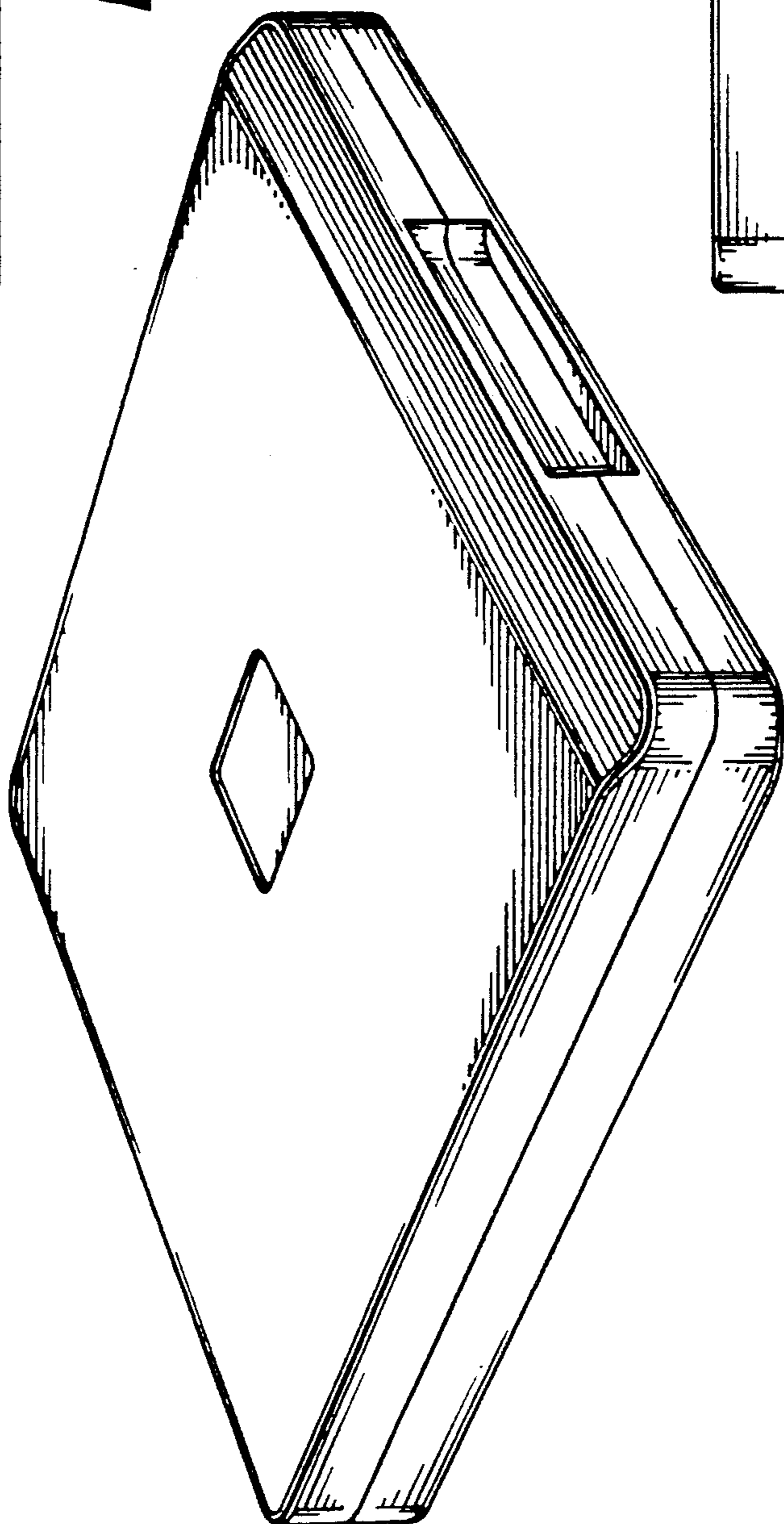


FIG 8

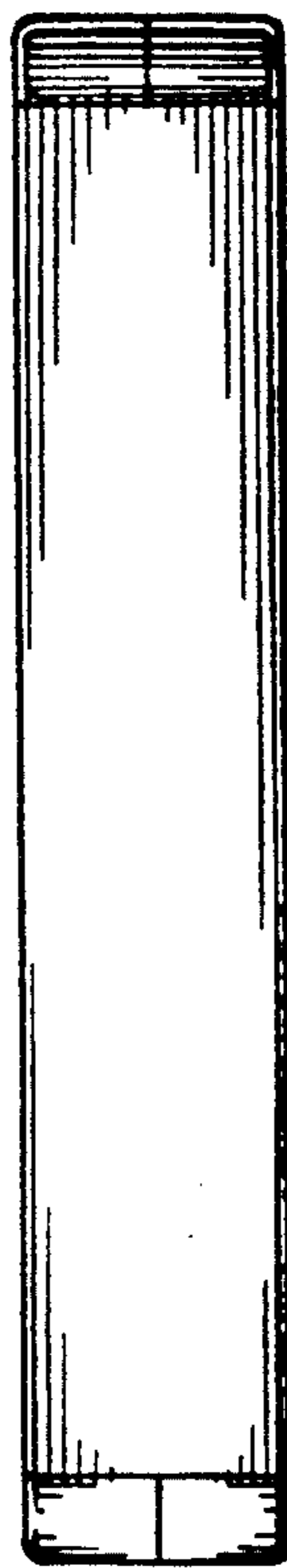


FIG 10



FIG 12

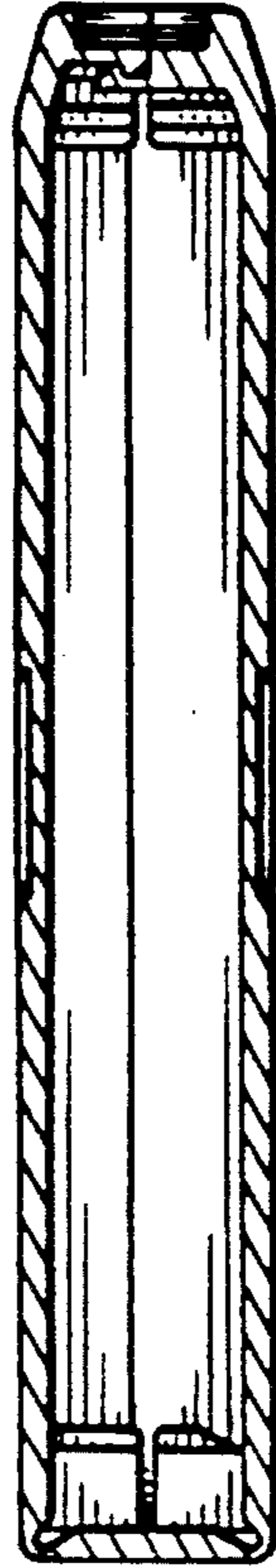


FIG 13

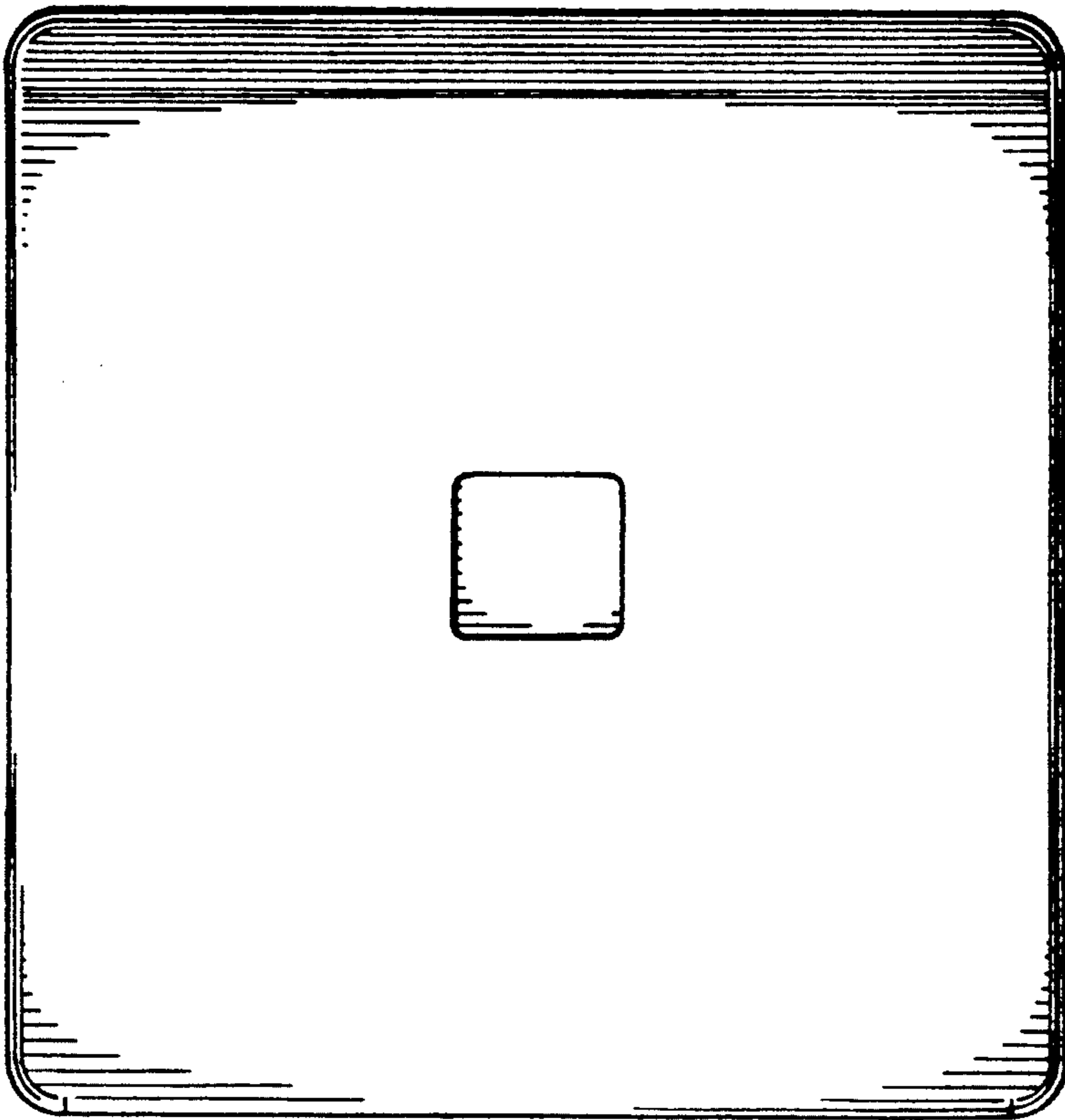


FIG 11

131

131