



US00D347726S

# United States Patent [19]

[11] Patent Number: **Des. 347,726**

Mantenuto

[45] Date of Patent: **\*\* Jun. 14, 1994**

[54] FAN

### FOREIGN PATENT DOCUMENTS

[76] Inventor: **Angelo A. Mantenuto**, 126 Kersey Crescent, Richmond Hill, Ontario L4C 5V8, Canada

2098 2/1892 United Kingdom ..... 416/73

*Primary Examiner*—Louis S. Zarfes  
*Attorney, Agent, or Firm*—Arne I. Fors

[\*\*] Term: **14 Years**

### [57] CLAIM

[21] Appl. No.: **8,630**

The ornamental design for a fan, as shown and described.

[22] Filed: **May 24, 1993**

### DESCRIPTION

[52] U.S. Cl. .... **D3/1; D3/2**

[58] Field of Search ..... **D3/1-4;**  
**416/70 R-73**

FIG. 1 is a perspective view of a fan showing my new design;

FIG. 2 is a side elevation of one side thereof;

FIG. 3 is a side elevation of the other side thereof;

FIG. 4 is a top view;

FIG. 5 is a bottom view thereof;

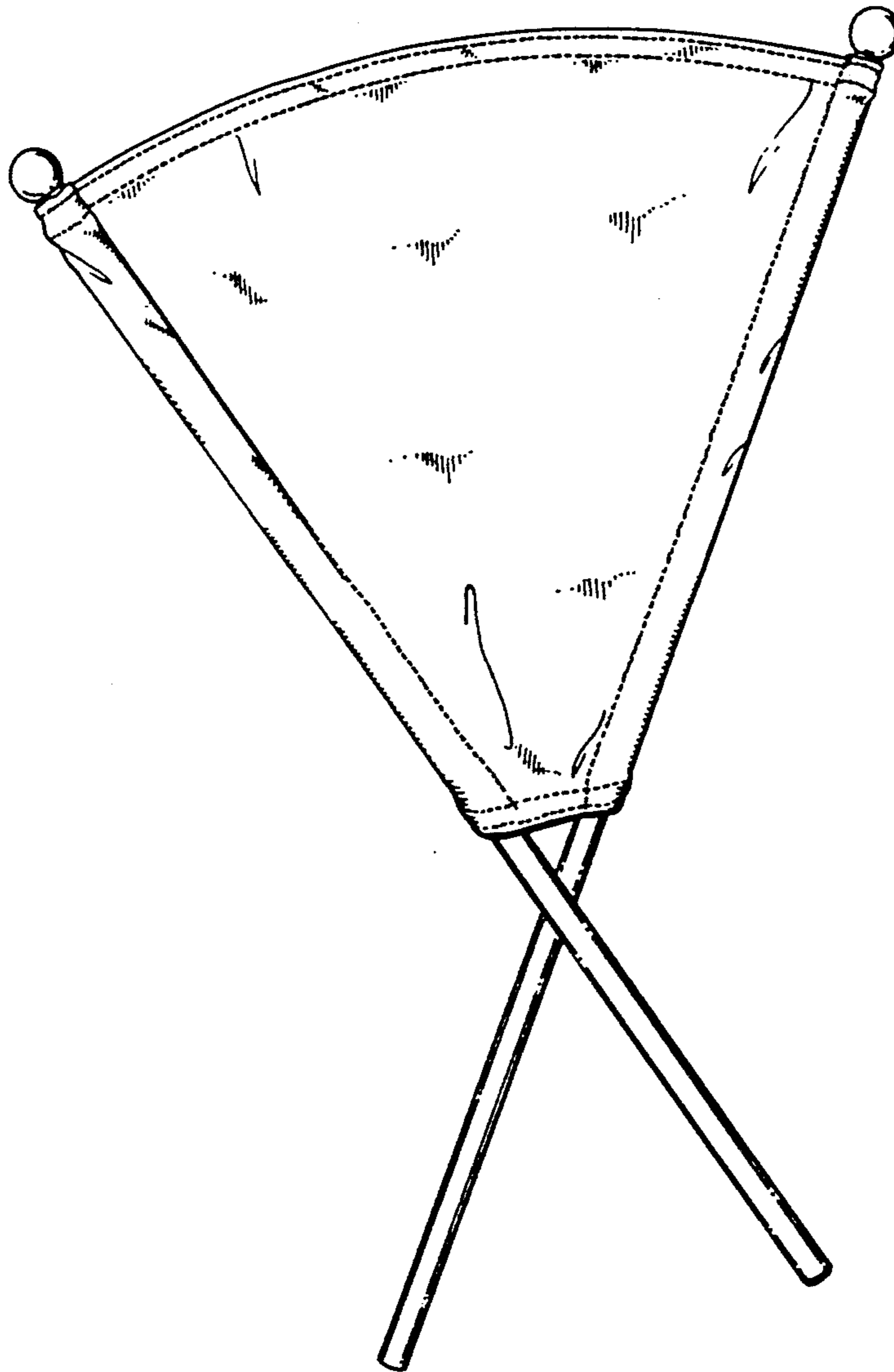
FIG. 6 is a front elevation thereof; and,

FIG. 7 is a rear elevation thereof.

### [56] References Cited

#### U.S. PATENT DOCUMENTS

1,261,482 4/1918 Brewington ..... 416/71  
1,388,037 8/1921 Hasskarl ..... 416/70 A



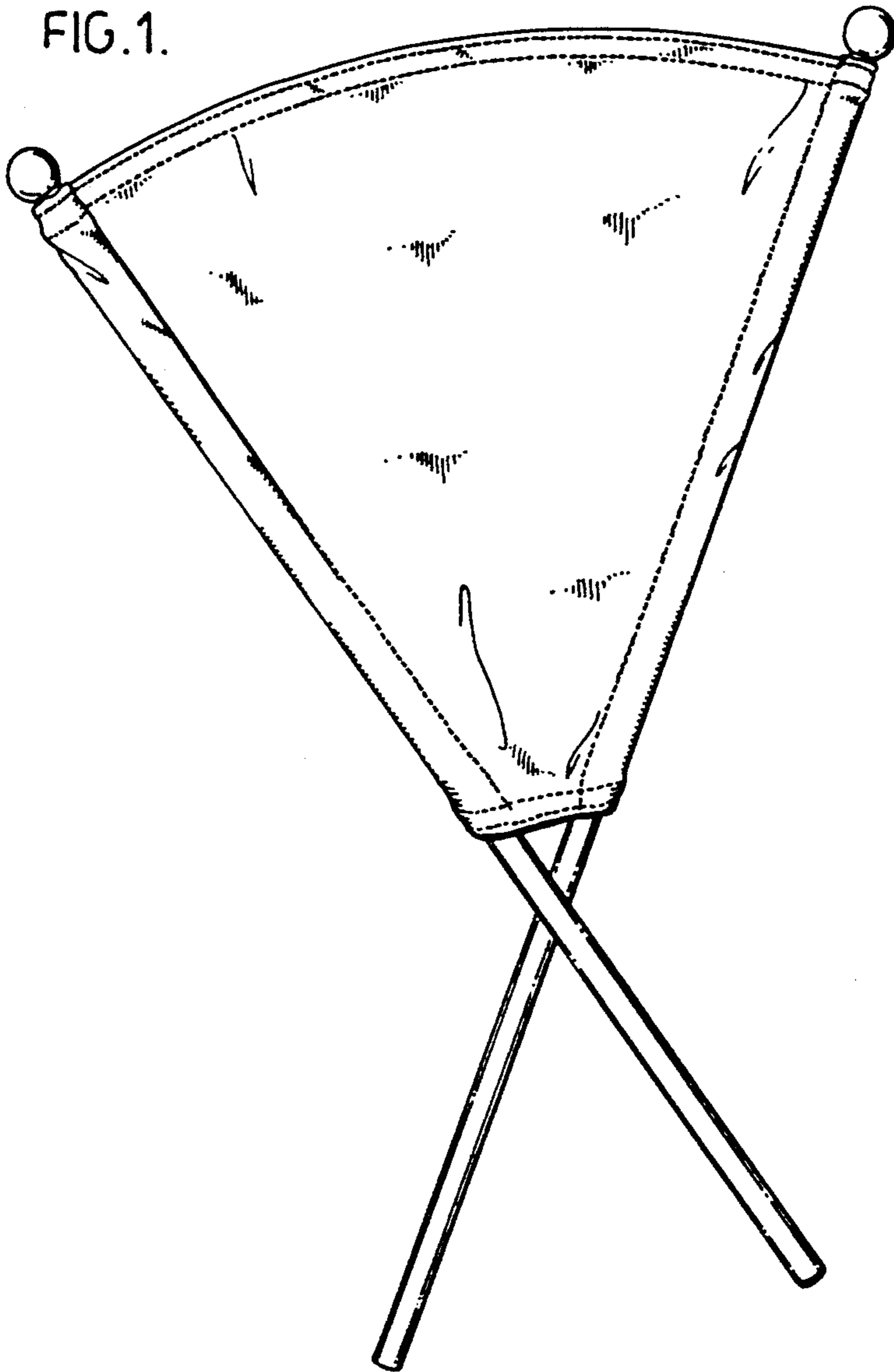


FIG. 2.

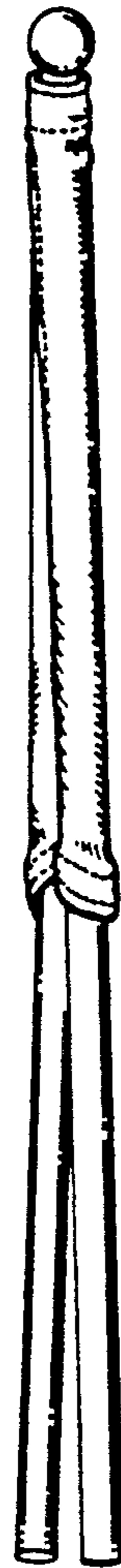


FIG. 3.



FIG. 4.



FIG. 5.

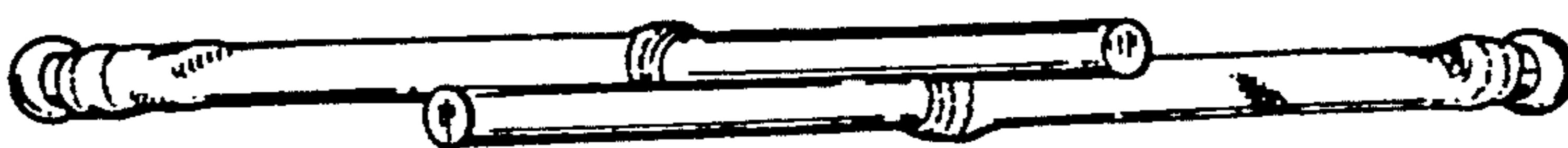


FIG. 7.

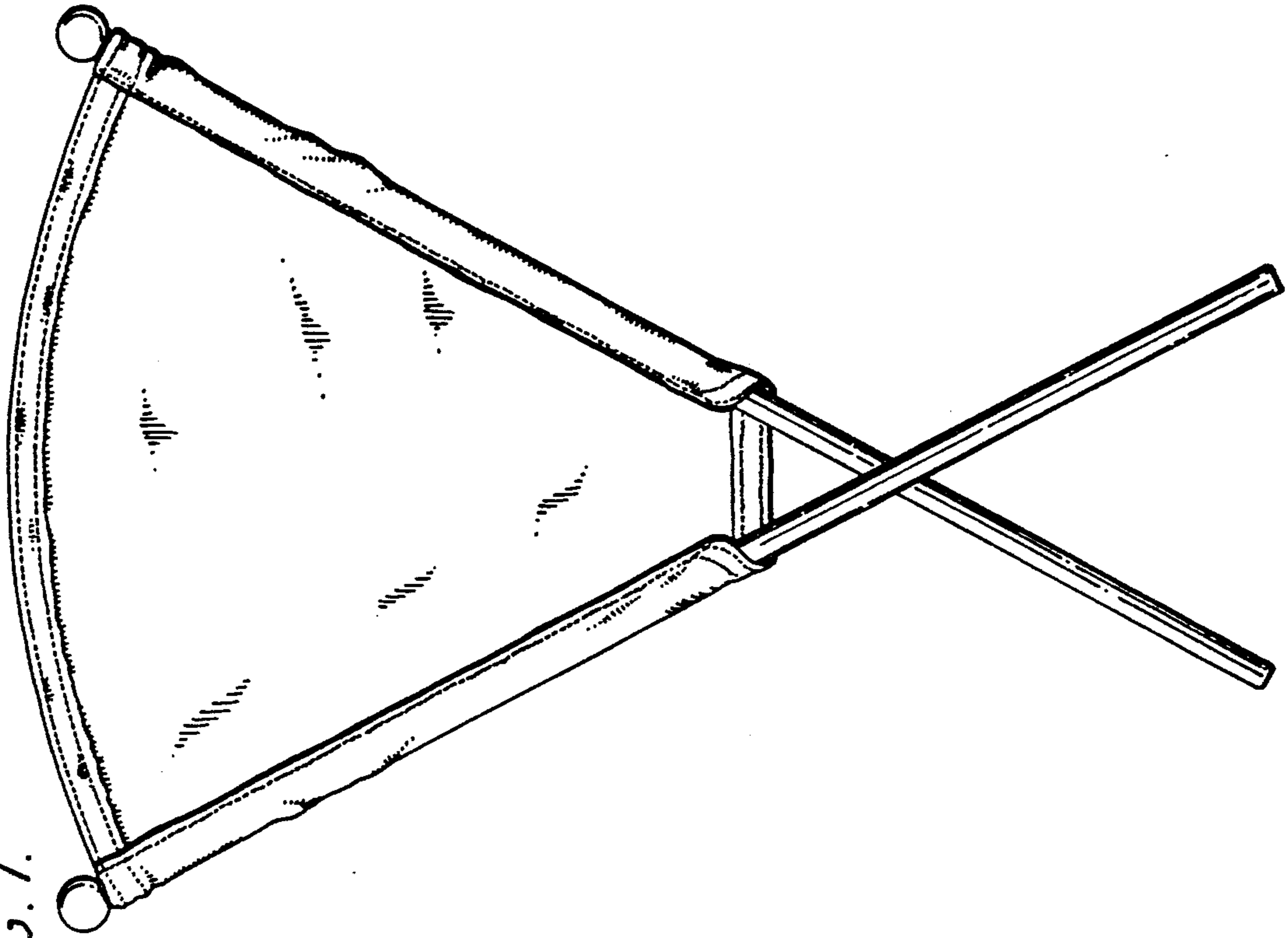


FIG. 6.

