



US00D347721S

United States Patent [19]

[11] Patent Number: **Des. 347,721**

Carter, Jr.

[45] Date of Patent: **** Jun. 7, 1994**

[54] **AUTO WINCH**

3,788,605 1/1974 Johnson 254/328

[76] Inventor: **Robert E. Carter, Jr., Rte. 4, Box 350, Crossville, Tenn. 38555**

*Primary Examiner—Kay H. Chin
Attorney, Agent, or Firm—S. Michael Bender*

[**] Term: **14 Years**

[57] **CLAIM**

[21] Appl. No.: **786,988**

The ornamental design for an auto winch, as shown and described.

[22] Filed: **Nov. 4, 1991**

[52] U.S. Cl. **D34/33; D34/28**

[58] Field of Search **254/323, 325, 328; D34/28, 33**

DESCRIPTION

FIG. 1 is a front elevational view of the auto winch showing my new design;
FIG. 2 is a rear elevational view thereof;
FIG. 3 is a left side elevational view thereof;
FIG. 4 is a right side elevational view thereof;
FIG. 5 is a top plan view thereof;
FIG. 6 is a bottom plan view thereof; and,
FIG. 7 is a top perspective view thereof.

[56] References Cited

U.S. PATENT DOCUMENTS

2,470,242 5/1949 Felsing 254/323
2,720,380 10/1955 Dyer 254/325

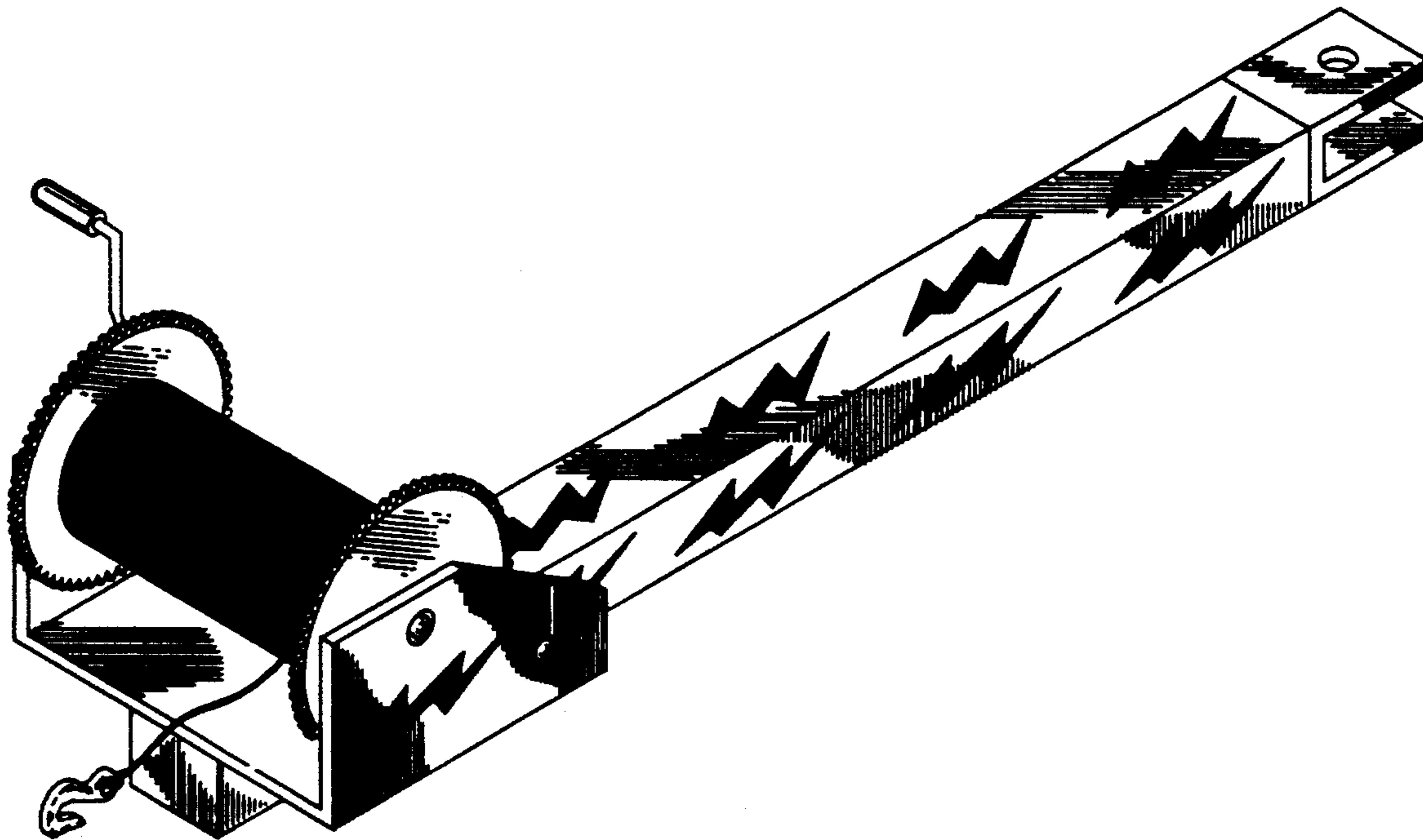


FIG. 1



FIG. 2

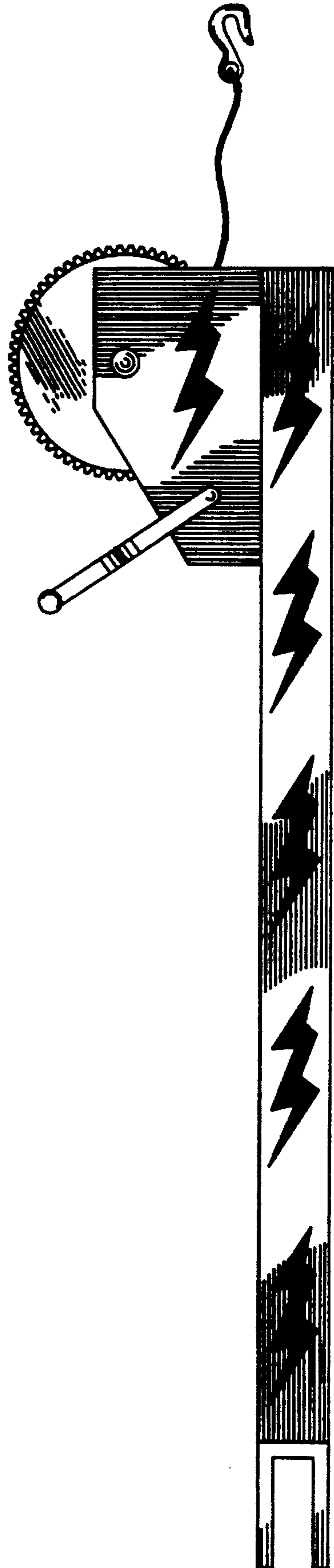


FIG. 3

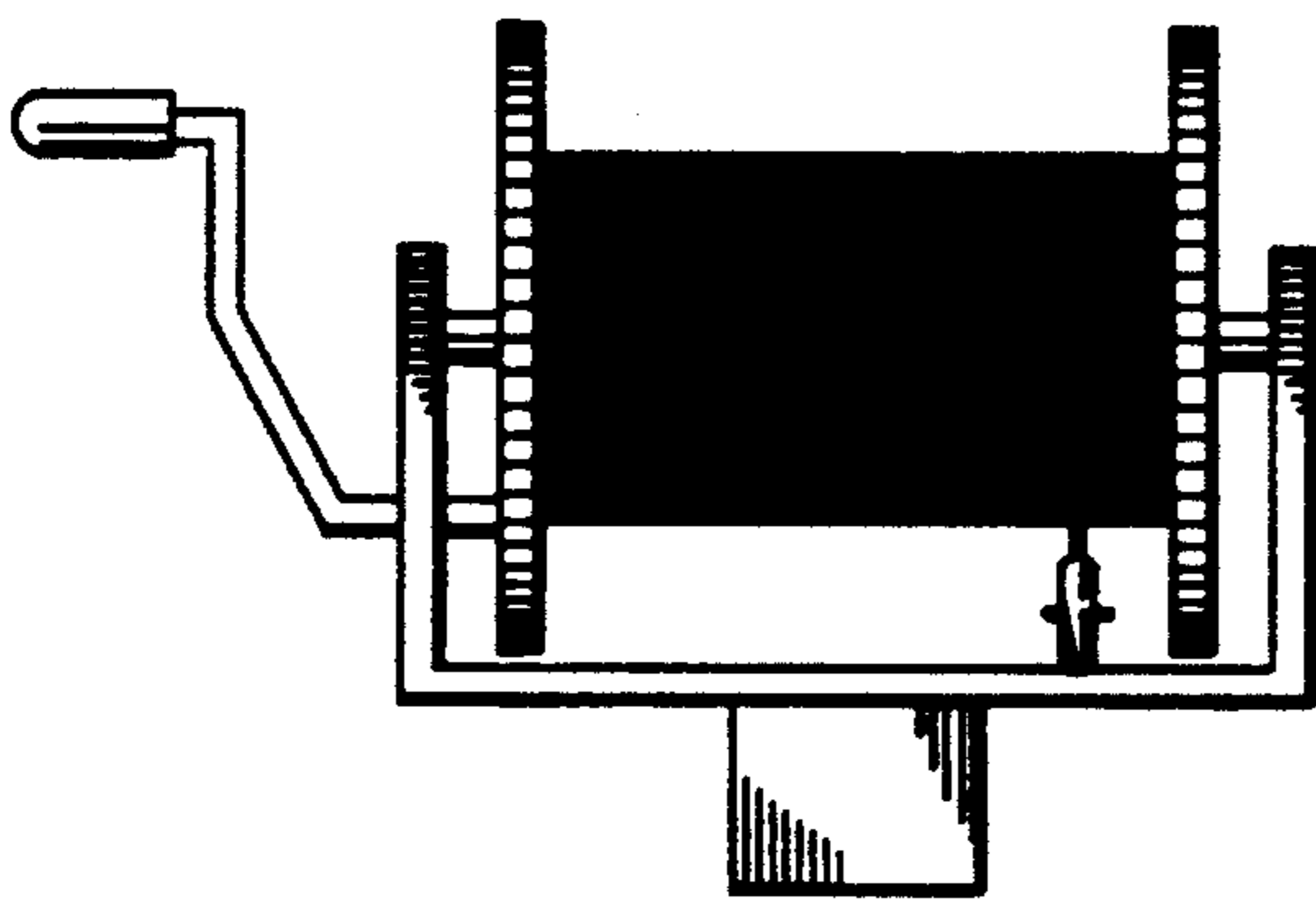
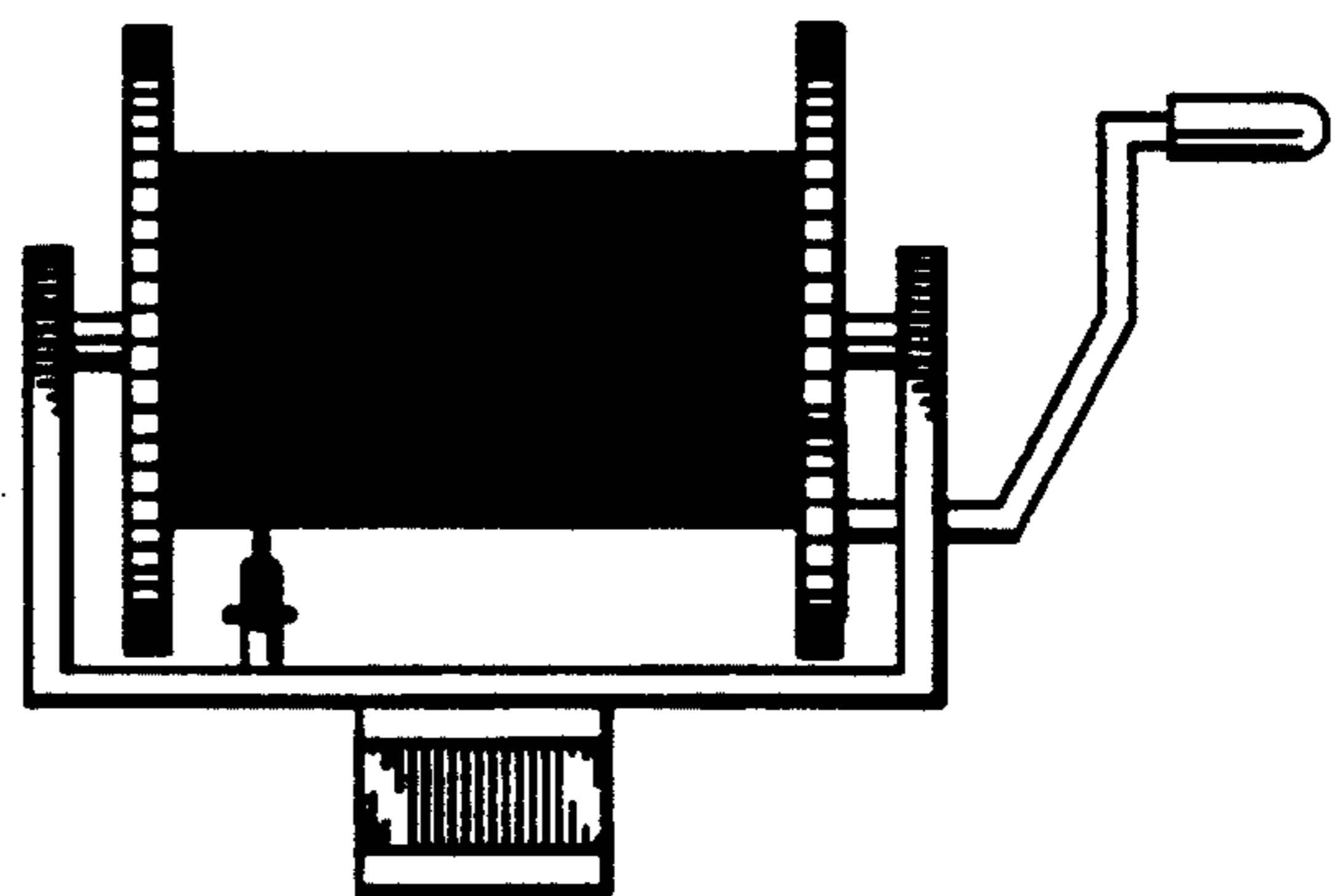


FIG. 4



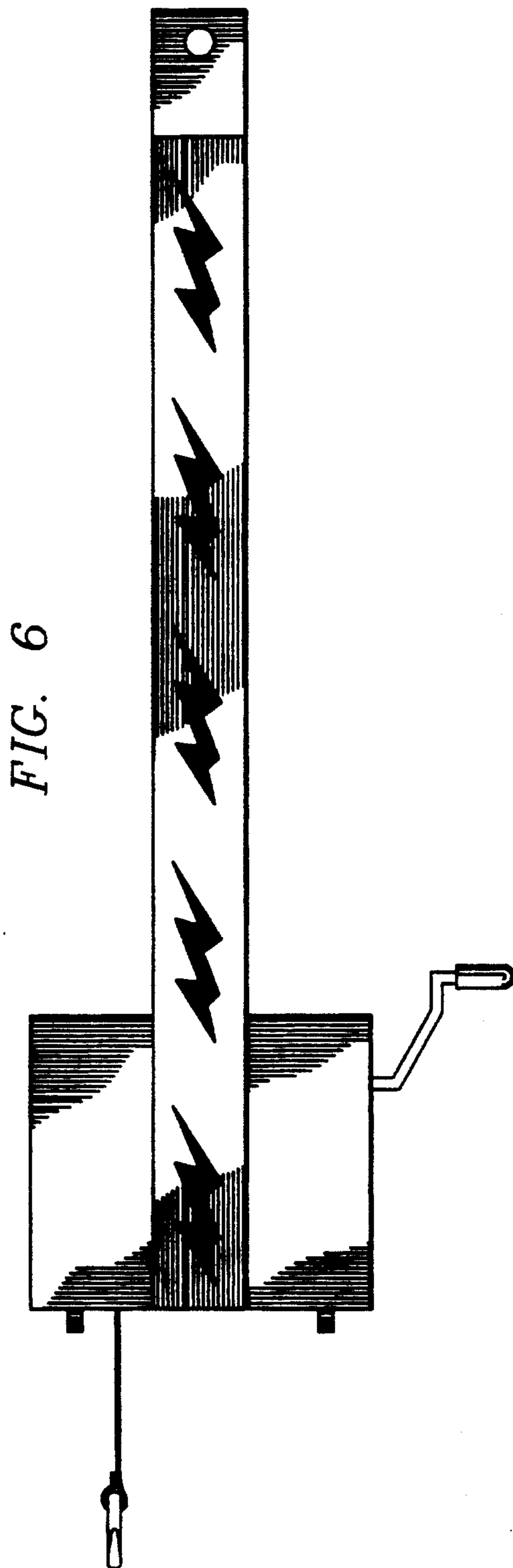
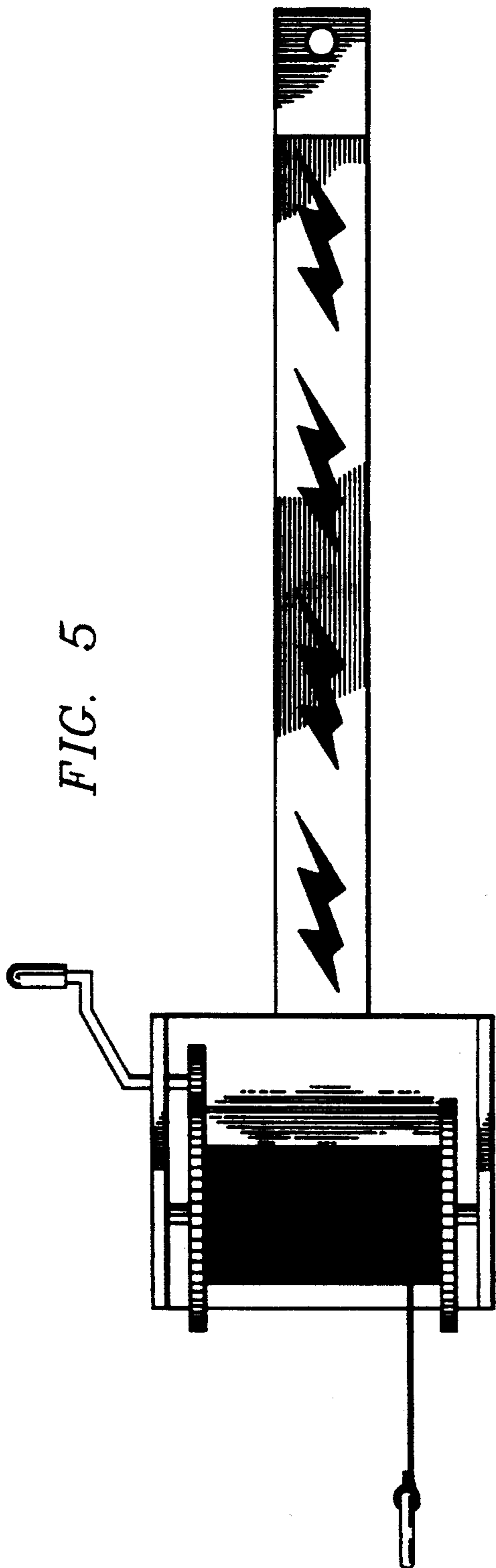


FIG. 7

